

# Cisco Cabinet Dimensions

---

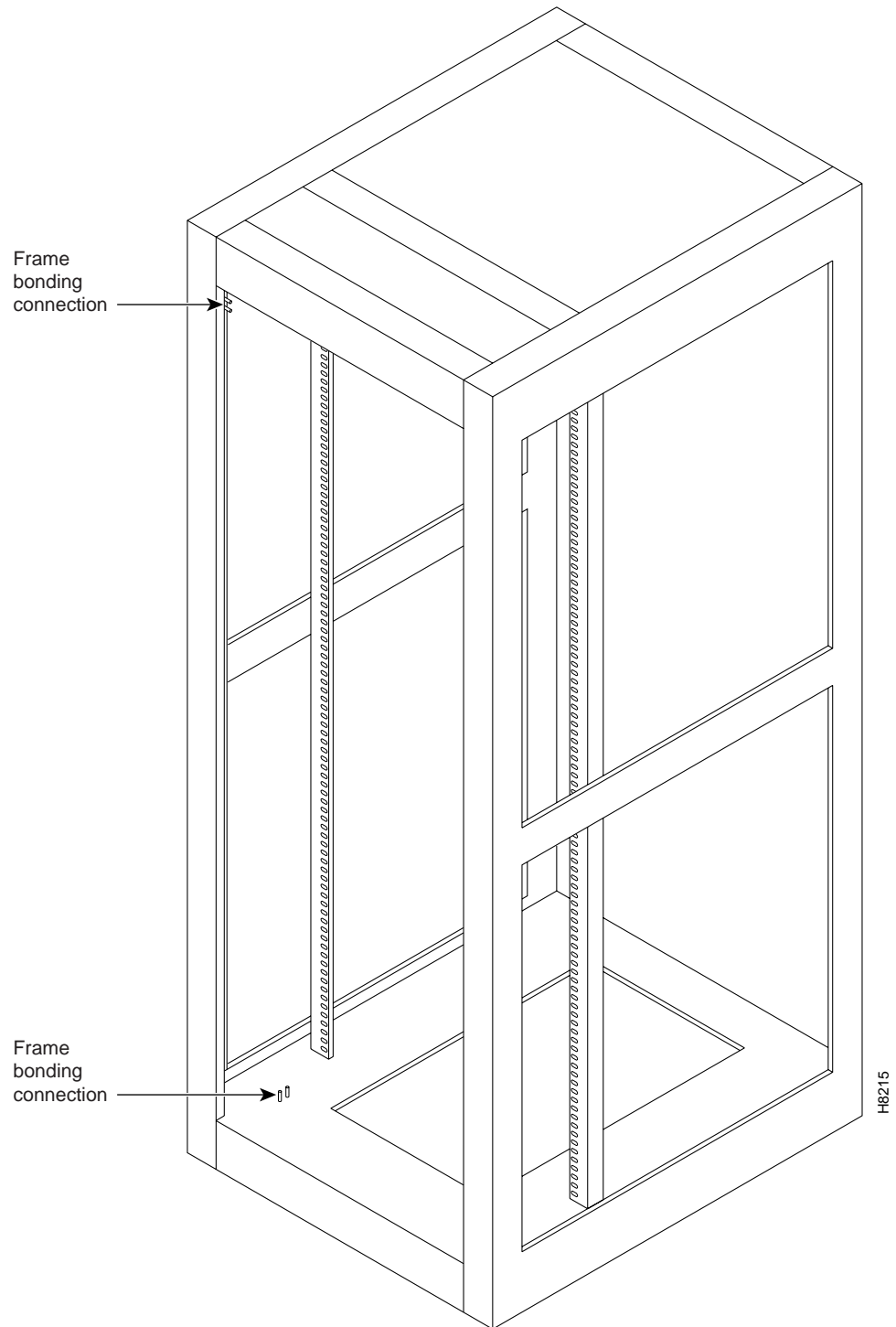
This appendix illustrates the space requirements for various system configurations in the Cisco cabinet and a typical cable management setup. It also contains a table with the height of Cisco WAN switching components in inches, centimeters, and rack-mount units (RMUs). This can help in the calculation of height requirements for individual system configurations. The last illustration shows the bracket installation in the Cisco cabinet (for a BPX 8620 node, in this case). The illustrated components are the:

- BPX 8600-series switches
- IGX 8400-series switches
- Cisco MGX 8220 edge concentrator

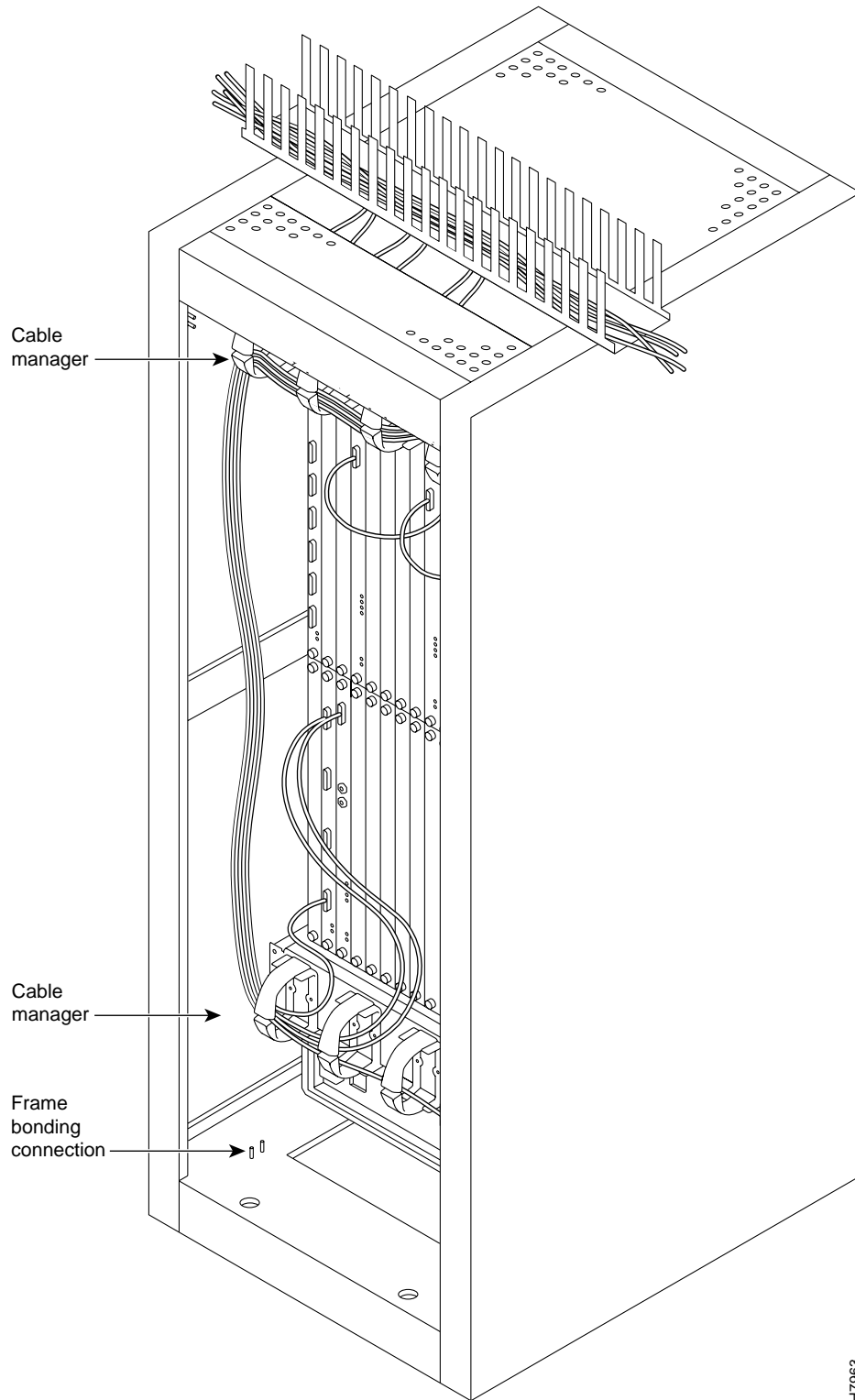
The sequence of illustrations in this chapter is as follows:

- Cisco Cabinet
- Cable Management
- Examples of System Configurations
- Table of Component Heights

**Figure C-1 Back View of Cisco Cabinet**



**Figure C-2 Cable Management**



H7963

Figure C-3 IGX 8430 Switch, AC and DC-Powered

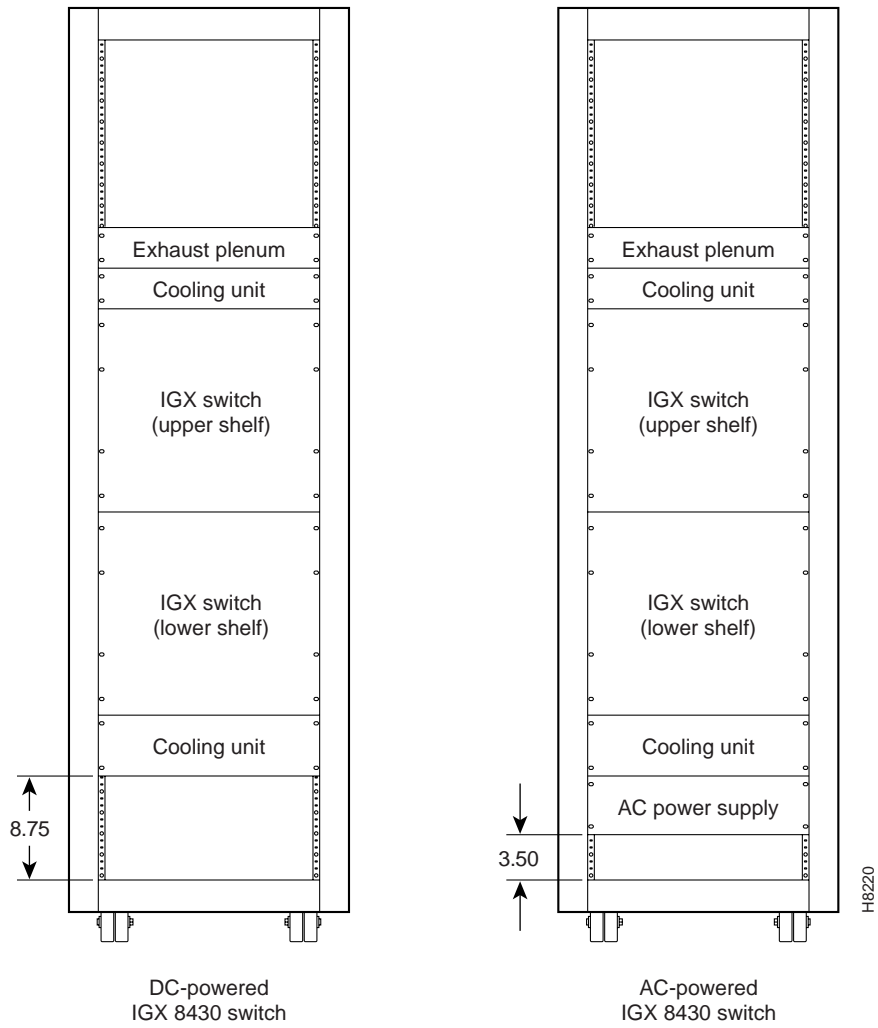


Figure C-4 IGX 8420 Switch, DC-Powered and AC-Powered

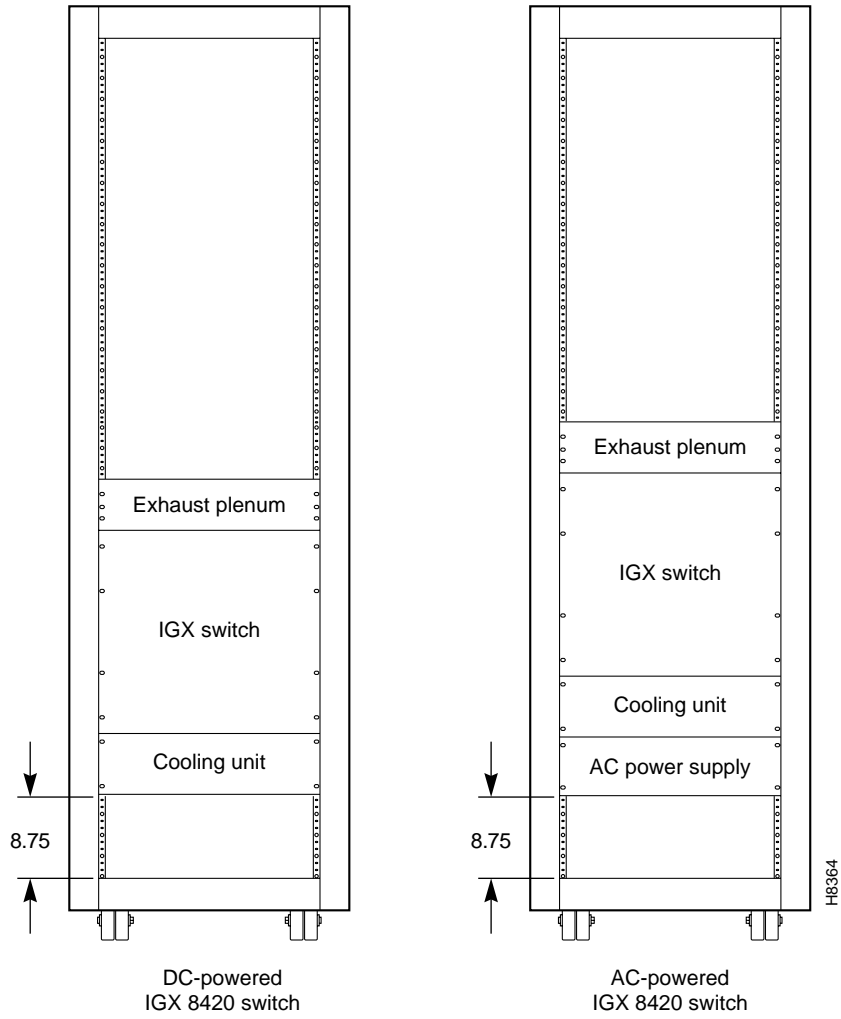
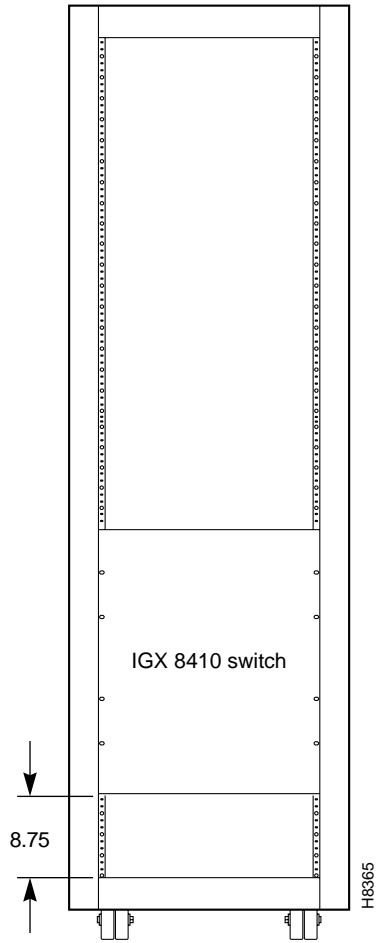


Figure C-5 IGX 8410 Switch, AC or DC-Powered



AC or DC-powered  
IGX 8410 switch

Figure C-6 Single BPX Switch, AC and DC-Powered

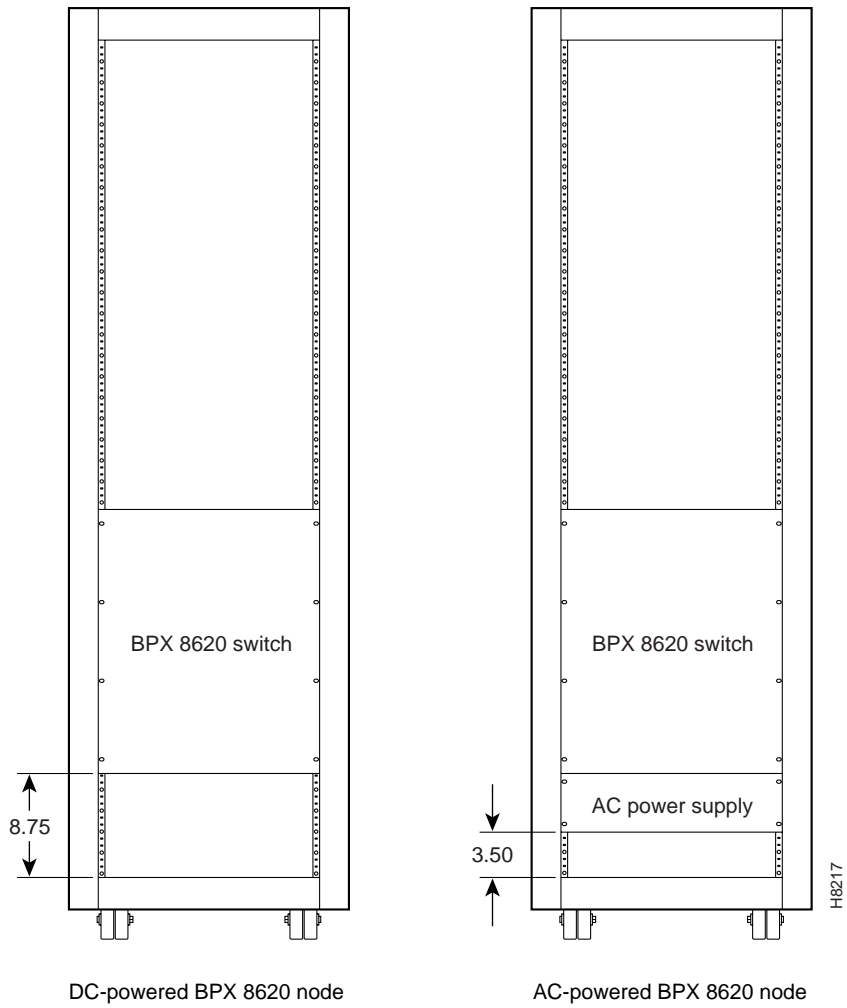
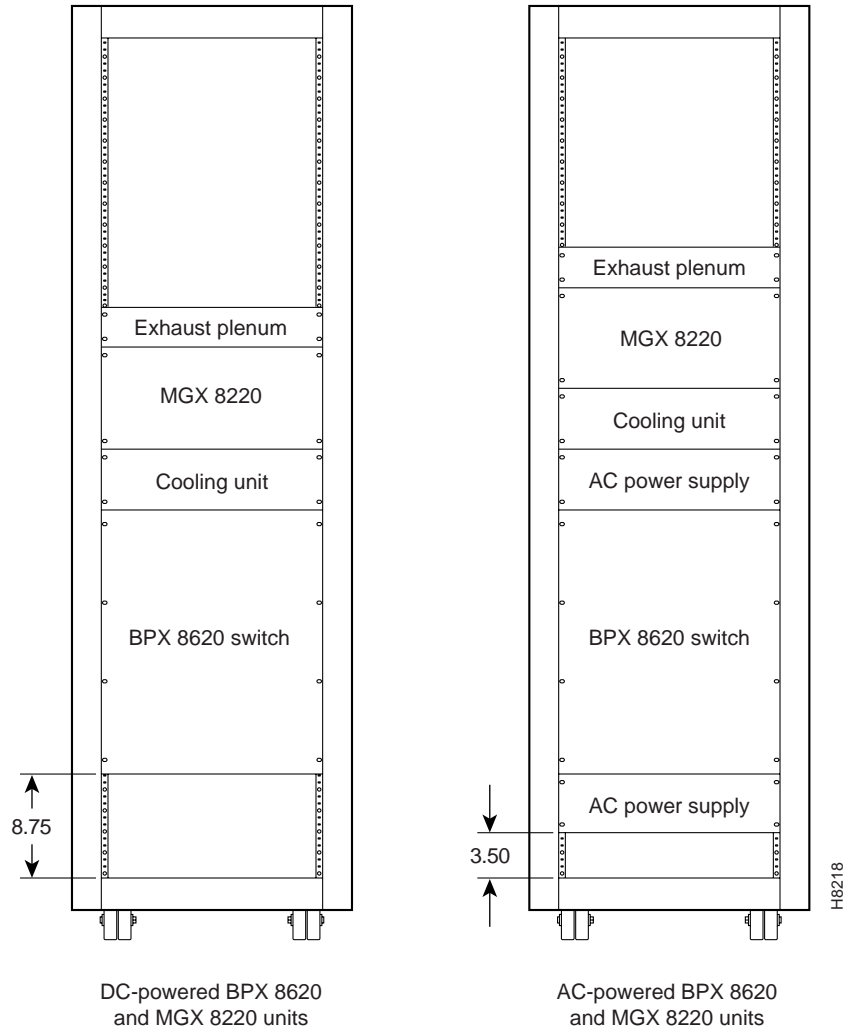
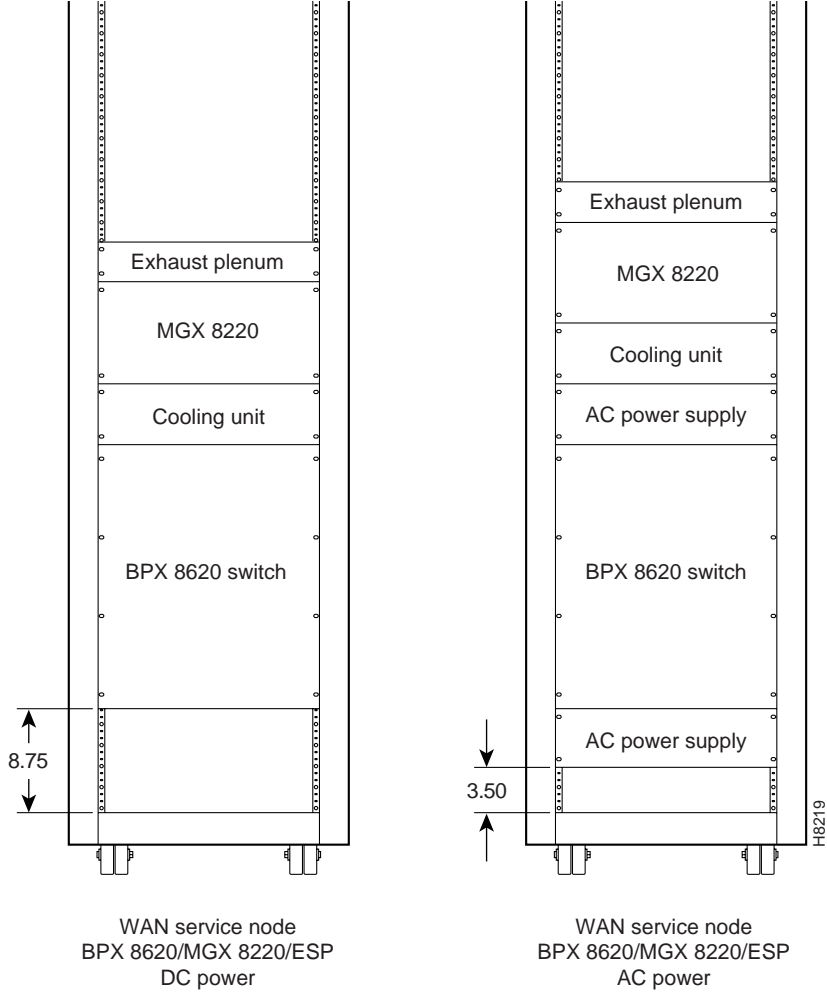


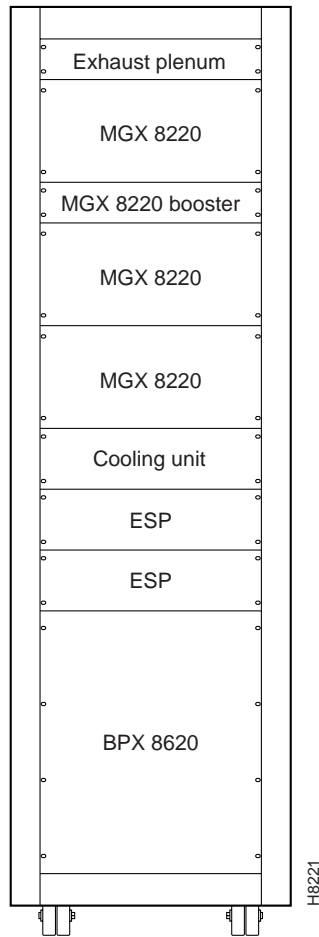
Figure C-7 Single BPX Node and MGX 8220 Edge Concentrator, AC and DC-Powered



**Figure C-8** BPX Node, MGX 8220 Edge Concentrator, and ESP, AC and DC-Powered

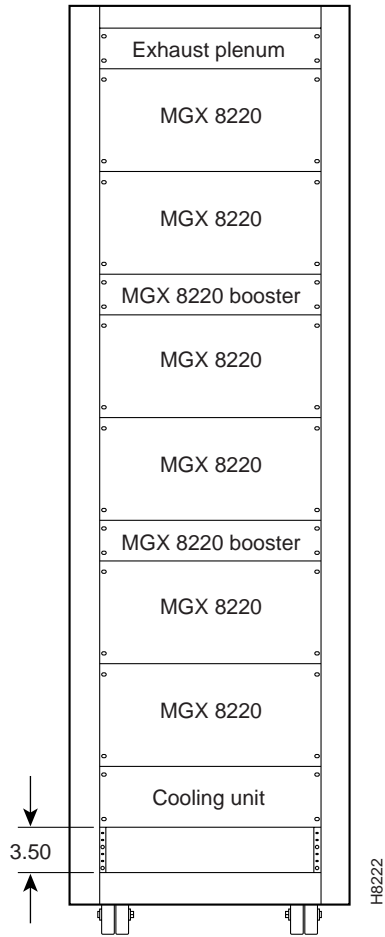


**Figure C-9**      **BPX Node With 2 ESP Systems and 3 MGX 8220 Shelves, DC-Powered**



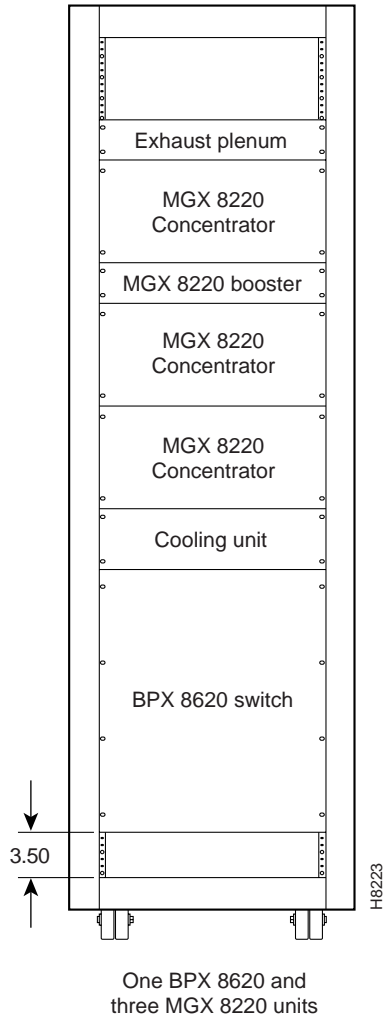
WAN service node  
BPX 8620/MGX 8220/ESP  
DC power

**Figure C-10 Six MGX 8220 Edge Concentrators, DC-Powered**



Six MGX 8220 edge concentrators

**Figure C-11 BPX Node With Three MGX 8220 Edge Concentrators, DC-Powered**



---

**Table C-1 Table of Cisco Cabinet and Component Heights**

<b>Components</b>	<b>Unit Height</b>		
	<b>Inches</b>	<b>CM</b>	<b>RMUs</b>
MGX 8220 Card Cage	8.75	22.225	5
MGX 8220 AC Power Supply shelf	5.25	13.335	3
MGX 8220 Booster Fan Assembly	3.5	8.89	2
MGX 8220 Cooling Assembly	5.25	13.335	3
MGX 8220 Exhaust Plenum	3.5	8.89	2
BPX AC Power Supply shelf	5.25	13.335	3
BPX Card Cage	22.75	57.785	13
IGX AC Power Supply shelf	5.25	13.335	3
IGX Booster Fan Assembly	3.5	8.89	2
IGX Card Cage	17.5	44.45	10
IGX Cooling Assembly	5.25	13.335	3
IGX Exhaust Plenum	3.5	8.89	2
IGX Node	24.5	62.23	14
VNS	5.25	13.335	3
<b>Cabinet</b>	<b>Unit Height</b>		
	<b>Inches</b>	<b>CM</b>	<b>RMUs</b>
Cisco Cabinet	71.75	1822.45	41
Other Cabinets	75.25	1911.35	43

---

**Note** The depth of the Cisco-supplied cabinet is 36 inches, the width is 23 inches, and the weight (empty of equipment with side panels installed) is 233 pounds.

---

Figure C-12 Mounting Brackets (BPX Example)

