



CHAPTER 43

Configuring PFC QoS

This chapter describes how to configure quality of service (QoS) as implemented on the Policy Feature Card (PFC) and Distributed Forwarding Cards (DFCs) in Cisco IOS Release 12.2SX.



Note

- For complete syntax and usage information for the commands used in this chapter, see the Cisco IOS Master Command List, Release 12.2SX, at this URL:
http://www.cisco.com/en/US/docs/ios/mcl/122sxmcl/12_2sx_mcl_book.html
- For information about Auto-QoS, see [Chapter 44, “Using AutoQoS.”](#)
- For information about QoS and MPLS, see [Chapter 45, “Configuring MPLS QoS.”](#)
- QoS in Cisco IOS Release 12.2SX (PFC QoS) uses some Cisco IOS modular QoS CLI (MQC). Because PFC QoS is implemented in hardware, it supports only a subset of the MQC syntax.
- The PFC3 does not support Network-Based Application Recognition (NBAR).
- With releases earlier than Release 12.2(33)SXJ3, do not use the default DSCP-based queue mapping for 8q4t ingress queues unless you configure supporting bandwidth and queue limits ([CSCts82932](#)).



Tip

For additional information about Cisco Catalyst 6500 Series Switches (including configuration examples and troubleshooting information), see the documents listed on this page:

http://www.cisco.com/en/US/products/hw/switches/ps708/tsd_products_support_series_home.html

This chapter contains these sections:

- [Understanding PFC QoS, page 43-2](#)
- [PFC QoS Default Configuration, page 43-27](#)
- [PFC QoS Configuration Guidelines and Restrictions, page 43-52](#)
- [Configuring PFC QoS, page 43-58](#)
- [Common QoS Scenarios, page 43-113](#)
- [PFC QoS Glossary, page 43-122](#)

Understanding PFC QoS

The term “PFC QoS” refers to QoS in Cisco IOS Release 12.2SX. PFC QoS is implemented on various switch components in addition to the PFC and any DFCs. These sections describe how PFC QoS works:

- [Port Types Supported by PFC QoS, page 43-2](#)
- [Overview, page 43-2](#)
- [Component Overview, page 43-5](#)
- [Understanding Classification and Marking, page 43-14](#)
- [Understanding Port-Based Queue Types, page 43-20](#)

Port Types Supported by PFC QoS

The PFC does not provide QoS for FlexWAN module ports. See this publication for information about FlexWAN module QoS features:

http://www.cisco.com/en/US/docs/routers/7600/install_config/flexwan_config/flexwan-config-guide.html

In all releases, PFC QoS supports *LAN ports*. LAN ports are Ethernet ports on Ethernet switching modules.

Overview

Typically, networks operate on a *best-effort* delivery basis, which means that all traffic has equal priority and an equal chance of being delivered in a timely manner. When congestion occurs, all traffic has an equal chance of being dropped.

QoS makes network performance more predictable and bandwidth utilization more effective. QoS selects (classifies) network traffic, uses or assigns [QoS labels](#) to indicate priority, makes the packets comply with the configured resource usage limits (policies the traffic and marks the traffic), and provides [congestion avoidance](#) where resource contention exists.

PFC QoS classification, policing, marking, and congestion avoidance is implemented in hardware on the PFC, DFCs, and in LAN switching module port Application Specific Integrated Circuits (ASICs).



Note

Cisco IOS Release 12.2SX does not support all of the MQC features (for example, Committed Access Rate (CAR)) for traffic that is Layer 3 switched or Layer 2 switched in hardware. Because queuing is implemented in the port ASICs, Cisco IOS Release 12.2SX does not support MQC-configured queuing.

[Figure 43-1](#) shows an overview of QoS processing in a switch supported by Cisco IOS Release 12.2SX.

Figure 43-1 PFC QoS Feature Processing Overview

The PFC QoS features are applied in this order:

1. Ingress port PFC QoS features:

- Port trust state—In PFC QoS, *trust* means to accept as valid and use as the basis of the initial **internal DSCP** value. Ports are untrusted by default, which sets the initial internal DSCP value to zero. You can configure ports to trust one of three types of received QoS values: **CoS**, **IP precedence**, or **DSCP**.
- Layer 2 CoS remarking—PFC QoS applies Layer 2 CoS remarking, which marks the incoming frame with the **port CoS** value, in these situations:
 - If the traffic is not in an **ISL**, **802.1Q**, or **802.1p frame**.
 - If a port is configured as untrusted.
- **Congestion avoidance**—If you configure an Ethernet LAN port to trust CoS or DSCP, QoS classifies the traffic on the basis of its Layer 2 CoS value or its Layer 3 DSCP value and assigns it to an ingress queue to provide congestion avoidance. Layer 3 **DSCP-based queue mapping** is available only on WS-X6708-10GE, WS-X6716-10GE, WS-X6716-10T, and Supervisor Engine 720-10GE ports.

2. PFC and DFC QoS features:

- **Internal DSCP**—On the PFC and DFCs, QoS associates an internal DSCP value with all traffic to classify it for processing through the system. There is an initial internal DSCP based on the traffic trust state and a final internal DSCP. The final internal DSCP can be the same as the initial value or an MQC policy map can set it to a different value.
- **MQC** policy maps—MQC policy maps can do one or more of these operations:
 - Change the trust state of the traffic (bases the internal DSCP value on a different **QoS label**)
 - Set the initial internal DSCP value (only for traffic from untrusted ports)
 - Mark the traffic
 - Police the traffic

3. Egress Ethernet LAN port QoS features:

- Layer 3 DSCP marking with the final internal DSCP (optional)
- Layer 2 CoS marking mapped from the final internal DSCP

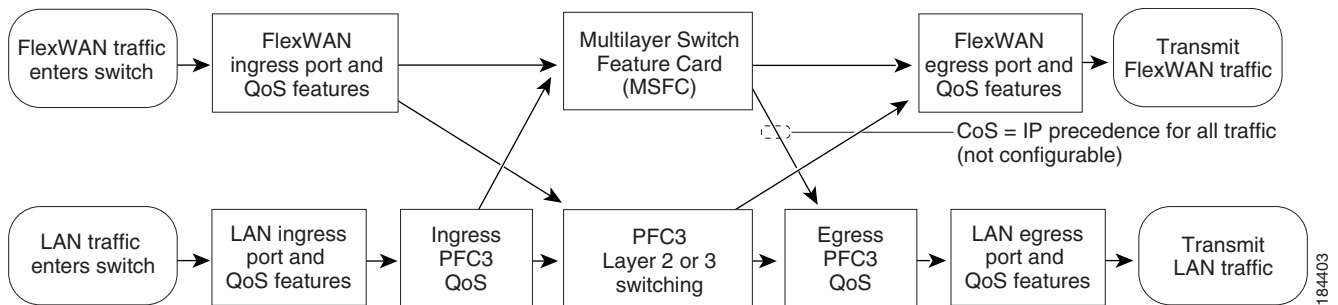
- Layer 2 CoS-based and Layer 3 DSCP-based congestion avoidance. (Layer 3 [DSCP-based queue mapping](#) is available only on WS-X6708-10GE, WS-X6716-10GE, WS-X6716-10T, and Supervisor Engine 720-10GE ports.)

These figures provide more detail about the relationship between QoS and the switch components:

- [Figure 43-2, Traffic Flow and PFC QoS Features with a PFC3](#)
- [Figure 43-3, PFC QoS Features and Component Overview](#)

[Figure 43-2](#) shows traffic flow and PFC QoS features with a PFC3.

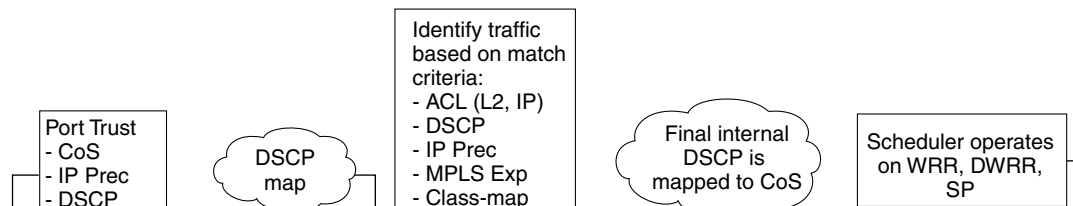
Figure 43-2 Traffic Flow and PFC QoS Features with a PFC3



[Figure 43-2](#) shows how traffic flows through the PFC QoS features with PFC3:

- Traffic can enter on any type of port and exit on any type of port.
- DFCs implement PFC QoS locally on switching modules.
- For FlexWAN module traffic:
 - Ingress FlexWAN QoS features can be applied to FlexWAN ingress traffic.
 - Ingress FlexWAN traffic can be Layer 3-switched by the PFC3 or routed in software by the route processor (RP).
 - Egress PFC QoS is not applied to FlexWAN ingress traffic.
 - Egress FlexWAN QoS can be applied to FlexWAN egress traffic.
- For LAN-port traffic:
 - Ingress LAN port QoS features can be applied to LAN port ingress traffic.
 - Ingress PFC QoS can be applied to LAN port ingress traffic.
 - Ingress LAN port traffic can be Layer 2- or Layer 3-switched by the PFC3 or routed in software by the RP.
 - Egress PFC QoS and egress LAN port QoS can be applied to LAN port egress traffic.

Figure 43-3 PFC QoS Features and Component Overview



Component Overview

These sections provide more detail about the role of the following components in PFC QoS decisions and processes:

- [Ingress LAN Port PFC QoS Features, page 43-5](#)
- [PFC and DFC QoS Features, page 43-7](#)
- [PFC QoS Egress Port Features, page 43-11](#)

Ingress LAN Port PFC QoS Features

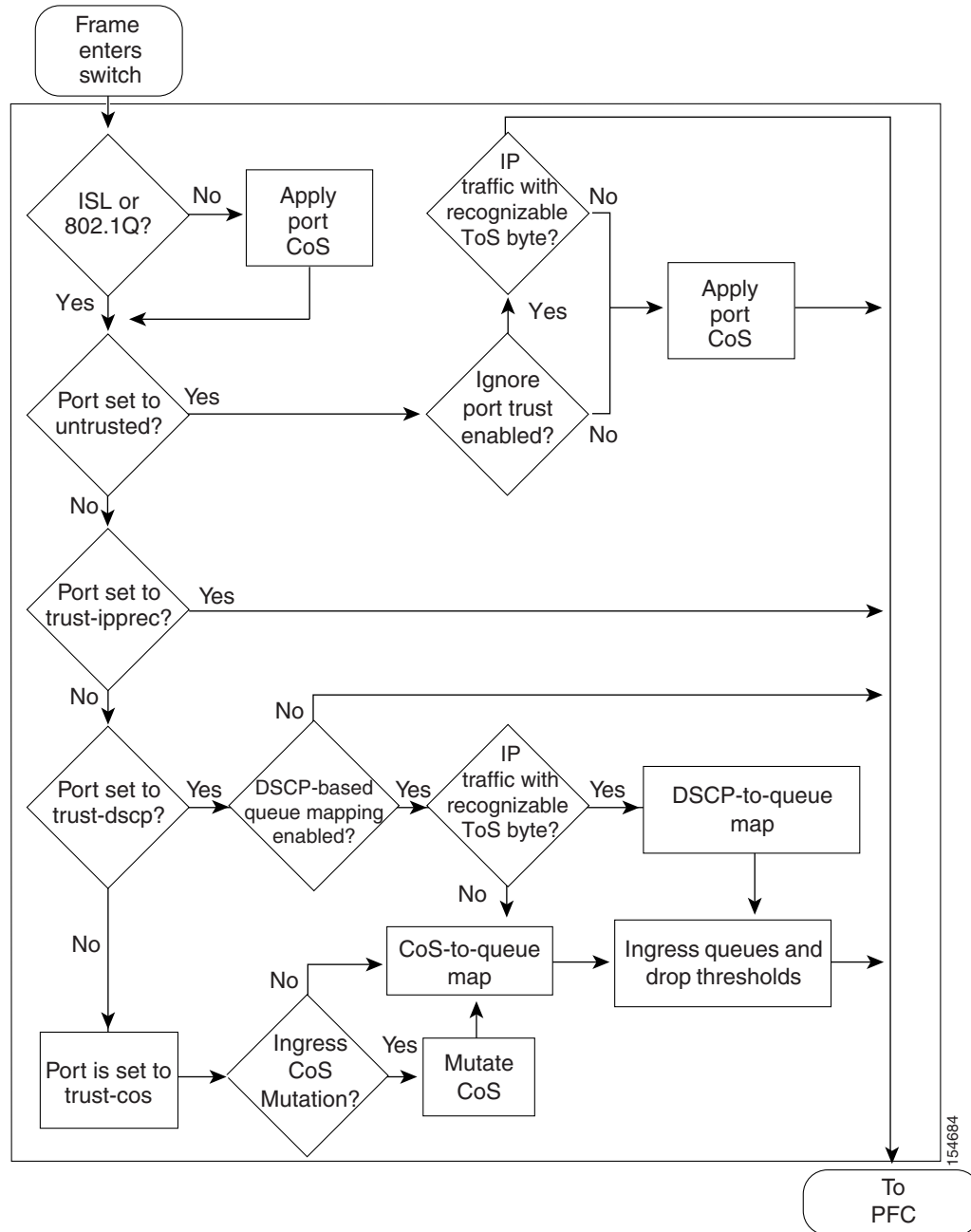
These sections provide an overview of the ingress port QoS features:

- [Flowchart of Ingress LAN Port PFC QoS Features, page 43-6](#)
- [Port Trust, page 43-7](#)
- [Ingress Congestion Avoidance, page 43-7](#)

Flowchart of Ingress LAN Port PFC QoS Features

Figure 43-4 shows how traffic flows through the ingress LAN port PFC QoS features.

Figure 43-4 Ingress LAN Port PFC QoS Features



Note

- Ingress CoS mutation is supported only on 802.1Q tunnel ports.
- [DSCP-based queue mapping](#) is supported only on WS-X6708-10GE, WS-X6716-10GE, WS-X6716-10T, and Supervisor Engine 720-10GE ports.

Port Trust

In PFC QoS, *trust* means to accept as valid and use as the basis of the initial [internal DSCP](#) value. You can configure ports as untrusted or you can configure them to trust these QoS values:

- Layer 2 CoS
 - A port configured to trust CoS is called a trust CoS port.
 - Traffic received through a trust CoS port or configured by a policy map to trust CoS is called trust CoS traffic.



Note Not all traffic carries a CoS value. Only ISL, 802.1Q, and 802.1P traffic carries a CoS value. PFC QoS applies the [port CoS](#) value to any traffic that does not carry a CoS value. On untrusted ports, PFC QoS applies the port CoS value to all traffic, overwriting any received CoS value.

- IP precedence
 - A port configured to trust IP precedence is called a trust IP precedence port.
 - Traffic received through a trust IP precedence port or configured by a policy map to trust IP precedence is called trust IP precedence traffic.
- DSCP
 - A port configured to trust DSCP is called a trust DSCP port.
 - Traffic received through a trust DSCP port or configured by a policy map to trust DSCP is called trust DSCP traffic.

Traffic received through an untrusted port is called untrusted traffic.

Ingress Congestion Avoidance

PFC QoS implements congestion avoidance on [trust CoS ports](#). On a trust CoS port, QoS classifies the traffic on the basis of its Layer 2 CoS value and assigns it to an ingress queue to provide congestion avoidance. You can configure WS-X6708-10GE, WS-X6716-10GE, WS-X6716-10T, and Supervisor Engine 720-10GE [trust DSCP ports](#) to use received DSCP values for congestion avoidance. See the “[Ingress Classification and Marking at Trust CoS LAN Ports](#)” section on [page 43-15](#) for more information about ingress congestion avoidance.

PFC and DFC QoS Features

These sections describe PFCs and DFCs as they relate to QoS:

- [Supported Policy Feature Cards, page 43-8](#)
- [Supported Distributed Forwarding Cards, page 43-8](#)
- [PFC and DFC QoS Feature List and Flowchart, page 43-8](#)
- [Internal DSCP Values, page 43-10](#)
- [Port-Based PFC QoS and VLAN-Based PFC QoS, page 43-11](#)
- [Session-Based PFC QoS, page 43-11](#)

Supported Policy Feature Cards

The policy feature card (PFC) is a daughter card on the supervisor engine. The PFC provides QoS in addition to other functionality. The following PFCs are supported in Cisco IOS Release 12.2SX:

- PFC3A on the Supervisor Engine 720
- PFC3B on the Supervisor Engine 720 and Supervisor Engine 32
- PFC3BXL on the Supervisor Engine 720
- PFC3C on the Cisco ME 6500 Series Ethernet switches and the Supervisor Engine 720-10GE
- PFC3CXL on the Supervisor Engine 720-10GE

Supported Distributed Forwarding Cards

The PFC sends a copy of the QoS policies to the distributed forwarding card (DFC) to provide local support for the QoS policies, which enables the DFCs to support the same QoS features that the PFC supports.

These DFCs are supported on the Catalyst 6500 series switches:

- For use on dCEF256 and CEF256 modules with a Supervisor Engine 720:
 - WS-F6K-DFC3A
 - WS-F6K-DFC3B
 - WS-F6K-DFC3BXL
- For use on CEF720 modules with a Supervisor Engine 720:
 - WS-F6700-DFC3A
 - WS-F6700-DFC3B
 - WS-F6700-DFC3BXL
- For use on CEF720 modules with Supervisor Engine 720 and Supervisor Engine 720-10GE:
 - WS-F6700-DFC3CXL
 - WS-F6700-DFC3C

PFC and DFC QoS Feature List and Flowchart

Table 43-1 lists the QoS features supported on the different versions of PFCs and DFCs.

Table 43-1 QoS Features Supported on PFCs and DFCs

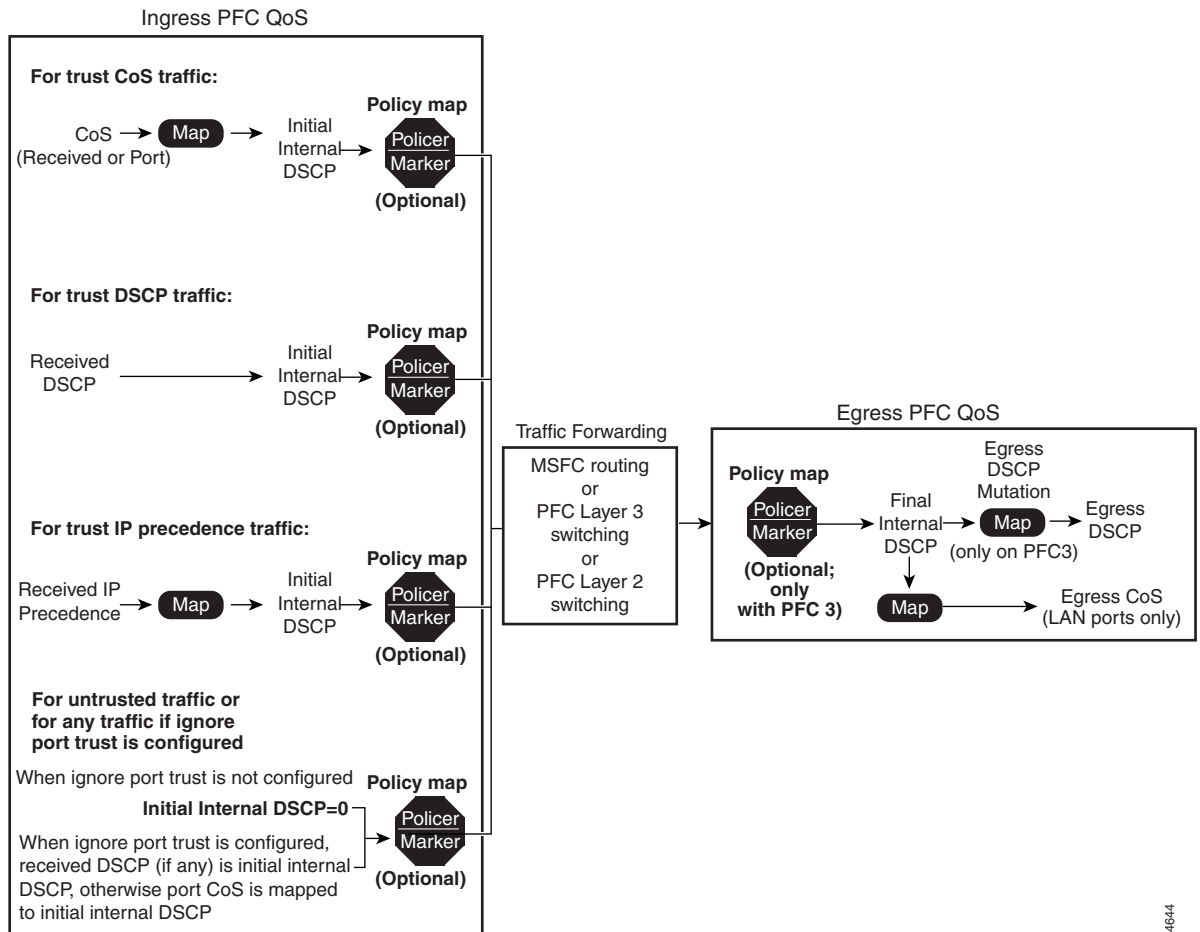
Feature	PFC3A and DFC3A	PFC3B and DFC3B	PFC3BXL and DFC3BXL	PFC3C and DFC3C	PFC3CXL and DFC3CXL
Support for DFCs	Yes	Yes	Yes	Yes	Yes
Flow granularity	Source Destination	Source Destination	Source Destination	Source Destination	Source Destination
QoS ACLs	IP, MAC	IP, MAC	IP, MAC	IP, MAC	IP, MAC
DSCP transparency	Optional	Optional	Optional	Optional	Optional
Note Enabling DSCP transparency disables egress ToS rewrite.					
Egress ToS rewrite	Optional	Optional	Optional	Optional	Optional

Table 43-1 QoS Features Supported on PFCs and DFCs (continued)

Feature	PFC3A and DFC3A	PFC3B and DFC3B	PFC3BXL and DFC3BXL	PFC3C and DFC3C	PFC3CXL and DFC3CXL
Policing:					
Ingress aggregate policers	Yes	Yes	Yes	Yes	Yes
Egress aggregate policers	Yes	Yes	Yes	Yes	Yes
Number of aggregate policers	1023 configurable	1023 configurable	1023 configurable	1023 configurable	1023 configurable
Microflow policers	64 rates	64 rates	64 rates	64 rates	64 rates
Number of flows per Microflow policer	64,000	110,000	240,000	110,000	240,000
Unit of measure for policer statistics	Bytes	Bytes	Bytes	Bytes	Bytes
Basis of policer operation	Layer 2 length	Layer 2 length	Layer 2 length	Layer 2 length	Layer 2 length

Figure 43-5 shows how traffic flows through the QoS features on the PFC and DFCs.

Figure 43-5 QoS Features on the PFC and DFCs



154644

**Note**

The **DSCP transparency** feature makes writing the egress DSCP value into the Layer 3 ToS byte optional.

Internal DSCP Values

During processing, PFC QoS represents the priority of all traffic (including non-IP traffic) with an internal DSCP value.

Initial Internal DSCP Value

On the PFC, before any marking or policing takes place, PFC QoS derives the initial internal DSCP value as follows:

- For **untrusted traffic**, when **ignore port trust** is not enabled, PFC QoS sets the initial internal DSCP value to zero for both tagged and untagged untrusted traffic.
- For untrusted traffic, when **ignore port trust** is enabled, PFC QoS does the following:
 - For IP traffic, PFC QoS uses the received DSCP value as the initial internal DSCP value.
 - For traffic without a recognizable ToS byte, PFC QoS maps the port CoS value to the initial internal DSCP value.
- For **trust CoS traffic**, when **ignore port trust** is enabled, PFC QoS does the following:
 - For IP traffic, PFC QoS uses the received DSCP value as the initial internal DSCP value.

**Note**

For trust CoS traffic, when **ignore port trust** is enabled, PFC QoS does not use the received CoS value in tagged IP traffic. When **ignore port trust** is disabled, PFC QoS uses the received CoS value in tagged IP traffic.

- For tagged traffic without a recognizable ToS byte, PFC QoS maps the received CoS value to the initial internal DSCP value.
- For untagged traffic without a recognizable ToS byte, PFC QoS maps the port CoS value to the initial internal DSCP value.
- For **trust IP precedence traffic**, PFC QoS does the following:
 - For IP traffic, PFC QoS maps the received IP precedence value to the initial internal DSCP value.
 - For tagged traffic without a recognizable ToS byte, PFC QoS maps the received CoS value to the initial internal DSCP value.
 - For untagged traffic without a recognizable ToS byte, PFC QoS maps the port CoS value to the initial internal DSCP value.
- For **trust DSCP traffic**, PFC QoS, PFC QoS does the following:
 - For IP traffic, PFC QoS uses the received DSCP value as the initial internal DSCP value.
 - For tagged traffic without a recognizable ToS byte, PFC QoS maps the received CoS value to the initial internal DSCP value.
 - For untagged traffic without a recognizable ToS byte, PFC QoS maps the port CoS value to the initial internal DSCP value.

For trust CoS traffic and trust IP precedence traffic, PFC QoS uses configurable maps to derive the initial internal 6-bit DSCP value from CoS or IP precedence, which are 3-bit values.

Final Internal DSCP Value

Policy marking and policing on the PFC can change the initial internal DSCP value to a final internal DSCP value, which is then used for all subsequently applied QoS features.

Port-Based PFC QoS and VLAN-Based PFC QoS

You can configure each ingress LAN port for either physical port-based PFC QoS (default) or VLAN-based PFC QoS and attach a policy map to the selected interface.

On ports configured for port-based PFC QoS, you can attach a policy map to the ingress LAN port as follows:

- On a nontrunk ingress LAN port configured for port-based PFC QoS, all traffic received through the port is subject to the policy map attached to the port.
- On a trunking ingress LAN port configured for port-based PFC QoS, traffic in all VLANs received through the port is subject to the policy map attached to the port.

On a nontrunk ingress LAN port configured for VLAN-based PFC QoS, traffic received through the port is subject to the policy map attached to the port's VLAN.

On a trunking ingress LAN port configured for VLAN-based PFC QoS, traffic received through the port is subject to the policy map attached to the traffic's VLAN.

Session-Based PFC QoS

In Cisco IOS Software Release 12.2(33)SXI and later releases, you can configure the dynamic delivery of a policy map to an interface by the AAA server when a user authenticates on that interface. This feature allows per-user or per-session QoS at the interface level, so that a user who connects by different interfaces at different times will always receive the same QoS treatment.

For each user of session-based QoS, you must set these attribute-value (AV) pairs on the AAA server by using RADIUS *cisco-av-pair* vendor-specific attributes (VSAs):

- `cisco-avpair = "ip:sub-policy-In=in_policy_name"`
- `cisco-avpair = "ip:sub-policy-Out=out_policy_name"`

The *in_policy_name* and *out_policy_name* arguments are the names of the ingress and egress QoS policy maps to be applied to an interface when a user authenticates on that interface. The policy maps will be removed from the interface when the user logs off and the session is terminated.

For session-based QoS configuration information, see the [“Configuring Dynamic Per-Session Attachment of a Policy Map”](#) section on page 43-83.

PFC QoS Egress Port Features

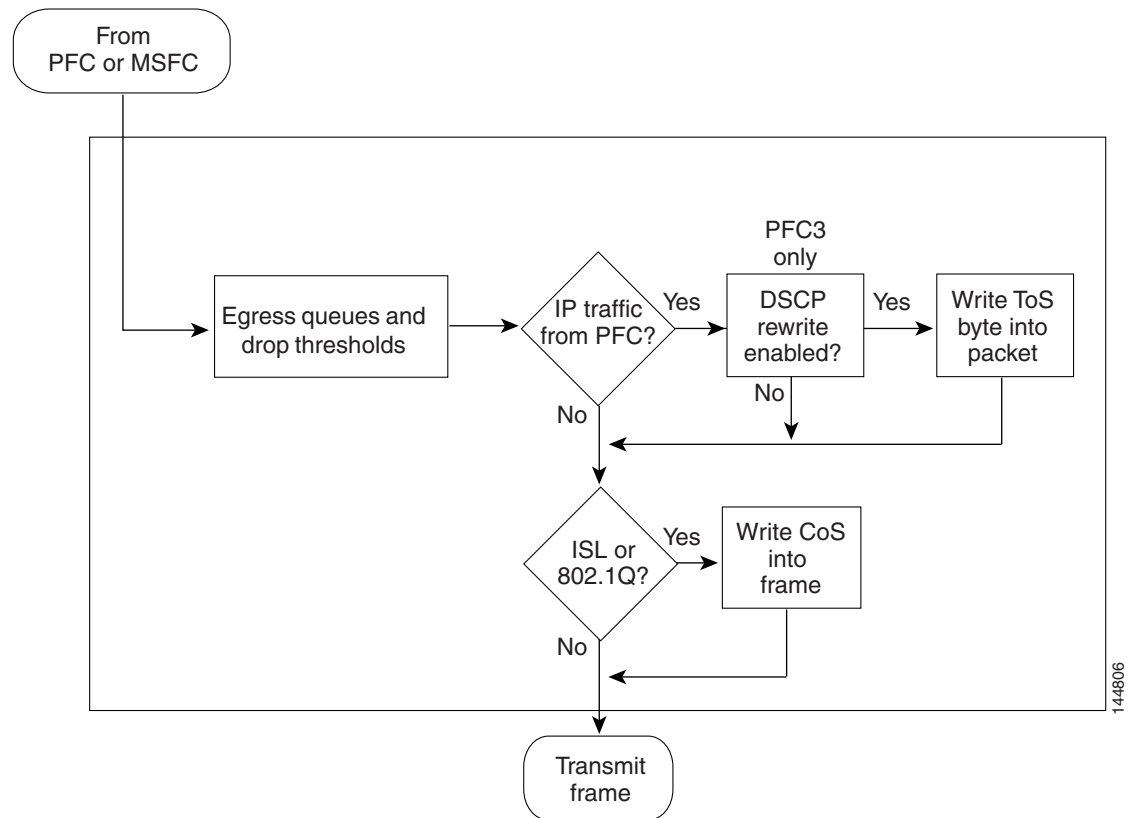
These sections describe PFC QoS egress port features:

- [Flowchart of PFC QoS Egress LAN Port Features, page 43-12](#)
- [Egress CoS Values, page 43-12](#)
- [Egress DSCP Mutation, page 43-13](#)
- [Egress ToS Byte, page 43-13](#)
- [Egress PFC QoS Interfaces, page 43-13](#)
- [Egress ACL Support for Remarked DSCP, page 43-13](#)

Flowchart of PFC QoS Egress LAN Port Features

Figure 43-6 shows how traffic flows through the QoS features on egress LAN ports.

Figure 43-6 Egress LAN Port Scheduling, Congestion Avoidance, and Marking



Egress CoS Values

For all egress traffic, PFC QoS uses a configurable map to derive a CoS value from the final [internal DSCP](#) value associated with the traffic. PFC QoS sends the derived CoS value to the egress LAN ports for use in classification and congestion avoidance and to be written into ISL and 802.1Q frames.



Note

You can configure WS-X6708-10GE, WS-X6716-10GE, WS-X6716-10T, and Supervisor Engine 720-10GE ports to use the final internal DSCP value for egress LAN port classification and congestion avoidance (see the [“Configuring DSCP-Based Queue Mapping”](#) section on page 43-101).

Egress DSCP Mutation

You can configure 15 egress DSCP mutation maps to mutate the [internal DSCP](#) value before it is written in the egress ToS byte. You can attach egress DSCP mutation maps to any interface on which PFC QoS supports [egress QoS](#).

**Note**

If you configure egress DSCP mutation, PFC QoS does not derive the egress CoS value from the mutated DSCP value.

Egress ToS Byte

Except when [DSCP transparency](#) is enabled, PFC QoS creates a ToS byte for egress IP traffic from the final internal or mutated DSCP value and sends it to the egress port to be written into IP packets. For trust DSCP and untrusted IP traffic, the ToS byte includes the original two least-significant bits from the received ToS byte.

The internal or mutated DSCP value can mimic an IP precedence value (see the [“IP Precedence and DSCP Values”](#) section on page 43-58).

Egress PFC QoS Interfaces

You can attach an output policy map to a Layer 3 interface (either a LAN port configured as a Layer 3 interface or a VLAN interface) to apply a policy map to egress traffic.

**Note**

-
- Output policies do not support microflow policing.
 - You cannot apply microflow policing to ARP traffic.
 - You cannot set a trust state in an output policy.
-

Egress ACL Support for Remark DSCP

**Note**

Egress ACL support for remarked DSCP is also known as packet recirculation.

The PFC3 supports egress ACL support for remarked DSCP, which enables IP precedence-based or DSCP-based [egress QoS](#) filtering to use any IP precedence or DSCP policing or marking changes made by ingress PFC QoS.

Without egress ACL support for remarked DSCP, egress QoS filtering uses received IP precedence or DSCP values; it does not use any IP precedence or DSCP changes made by ingress PFC QoS as the result of policing or marking.

The PFC3 provides egress PFC QoS only for Layer 3-switched and routed traffic on egress Layer 3 interfaces (either LAN ports configured as Layer 3 interfaces or VLAN interfaces).

You configure egress ACL support for remarked DSCP on ingress Layer 3 interfaces (either LAN ports configured as Layer 3 interfaces or VLAN interfaces).

On interfaces where egress ACL support for remarked DSCP is configured, the PFC3 processes each QoS-filtered IP packet twice: once to apply ingress PFC QoS and once to apply egress PFC QoS.



Caution

If the switch is operating in PFC3A mode with egress ACL support for remarked DSCP configured, when the PFC3 processes traffic to apply ingress PFC QoS, it applies ingress PFC QoS filtering and ingress PFC QoS, and incorrectly applies any egress QoS filtering and egress PFC QoS configured on the ingress interface, which results in unexpected behavior if QoS filtering is configured on an interface where egress ACL support for remarked DSCP is enabled. This problem does not occur in other PFC3 modes.

After packets have been processed by ingress PFC QoS and any policing or marking changes have been made, the packets are processed again on the ingress interface by any configured Layer 2 features (for example, VACLs) before being processed by egress PFC QoS.

On an interface where egress ACL support for remarked DSCP is configured, if a Layer 2 feature matches the ingress-QoS-modified IP precedence or DSCP value, the Layer 2 feature might redirect or drop the matched packets, which prevents them from being processed by egress QoS.

After packets have been processed by ingress PFC QoS and any policing or marking changes have been made, the packets are processed on the ingress interface by any configured Layer 3 features (for example, ingress Cisco IOS ACLs, policy-based routing (PBR), etc.) before being processed by egress PFC QoS.

The Layer 3 features configured on an interface where egress ACL support for remarked DSCP is configured might redirect or drop the packets that have been processed by ingress PFC QoS, which would prevent them from being processed by egress PFC QoS.

Understanding Classification and Marking

The following sections describe where and how classification and marking occur in Cisco IOS Release 12.2SX:

- [Classification and Marking at Trusted and Untrusted Ingress Ports, page 43-14](#)
- [Classification and Marking on the PFC Using Service Policies and Policy Maps, page 43-16](#)
- [Classification and Marking on the RP, page 43-17](#)

Classification and Marking at Trusted and Untrusted Ingress Ports

The trust state of an ingress port determines how the port marks, schedules, and classifies received Layer 2 frames, and whether or not congestion avoidance is implemented. These are the port trust states:

- Untrusted (default)
- Trust IP precedence
- Trust DSCP
- Trust CoS

Ingress LAN port classification, marking, and congestion avoidance can use Layer 2 CoS values and do not set Layer 3 IP precedence or DSCP values. You can configure WS-X6708-10GE, WS-X6716-10GE, WS-X6716-10T, and Supervisor Engine 720-10GE ports to use received DSCP values for ingress LAN port classification and congestion avoidance (see the [“Configuring DSCP-Based Queue Mapping” section on page 43-101](#)). Ingress LAN port classification, marking, and congestion avoidance on other ports use Layer 2 CoS values only.

The following sections describe classification and marking at trusted and untrusted ingress ports:

- [Classification and Marking at Untrusted Ingress Ports, page 43-15](#)
- [Ingress Classification and Marking at Trusted Ports, page 43-15](#)

Classification and Marking at Untrusted Ingress Ports

PFC QoS Layer 2 remarking marks all frames received through untrusted ports with the [port CoS](#) value (the default is zero).

To map the port CoS value that was applied to untrusted ingress traffic to the initial internal DSCP value, configure a trust CoS policy map that matches the ingress traffic.

Ingress Classification and Marking at Trusted Ports

You should configure ports to trust only if they receive traffic that carries valid QoS labels. QoS uses the received QoS labels as the basis of initial internal DSCP value. After the traffic enters the switch, you can apply a different trust state to traffic with a policy map. For example, traffic can enter the switch through a trust CoS port, and then you can use a policy map to trust IP precedence or DSCP, which uses the trusted value as the basis of the initial internal DSCP value, instead of the QoS label that was trusted at the port.

These sections describe classification and marking at trusted ingress ports:

- [Ingress Classification and Marking at Trust CoS LAN Ports, page 43-15](#)
- [Ingress Classification and Marking at Trust IP Precedence Ports, page 43-15](#)
- [Ingress Classification and Marking at Trust DSCP Ports, page 43-15](#)

Ingress Classification and Marking at Trust CoS LAN Ports

You should configure LAN ports to trust CoS only if they receive traffic that carries valid Layer 2 CoS.

When an ISL frame enters the switch through a trusted ingress LAN port, PFC QoS accepts the three least significant bits in the User field as a CoS value. When an 802.1Q frame enters the switch through a trusted ingress LAN port, PFC QoS accepts the User Priority bits as a CoS value. PFC QoS Layer 2 remarking marks all traffic received in untagged frames with the ingress port CoS value.

On ports configured to trust CoS, PFC QoS does the following:

- PFC QoS maps the received CoS value in tagged trust CoS traffic to the initial internal DSCP value.
- PFC QoS maps the ingress port CoS value applied to untagged trusted traffic to the initial internal DSCP value.
- PFC QoS enables the CoS-based ingress queues and thresholds to provide congestion avoidance. See the [“Understanding Port-Based Queue Types”](#) section on [page 43-20](#) for more information about ingress queues and thresholds.

Ingress Classification and Marking at Trust IP Precedence Ports

You should configure ports to trust IP precedence only if they receive traffic that carries valid Layer 3 IP precedence. For traffic from trust IP precedence ports, PFC QoS maps the received IP precedence value to the initial internal DSCP value. Because the ingress port queues and thresholds use Layer 2 CoS, PFC QoS does not implement ingress port congestion avoidance on ports configured to trust IP precedence. PFC does not mark any traffic on ingress ports configured to trust IP precedence.

Ingress Classification and Marking at Trust DSCP Ports

You should configure ports to trust DSCP only if they receive traffic that carries valid Layer 3 DSCP.

You can enable DSCP-based ingress queues and thresholds on WS-X6708-10GE, WS-X6716-10GE, WS-X6716-10T, and Supervisor Engine 720-10GE ports to provide congestion avoidance (see the [“Configuring DSCP-Based Queue Mapping” section on page 43-101](#)). The ingress port queues and thresholds on other ports use only Layer 2 CoS.

For traffic from trust DSCP ports, PFC QoS uses the received DSCP value as the initial internal DSCP value. PFC QoS does not mark any traffic on ingress ports configured to trust received DSCP.

Classification and Marking on the PFC Using Service Policies and Policy Maps

PFC QoS supports classification and marking with service policies that attach one policy map to these interface types to apply ingress PFC QoS:

- Each ingress port (except FlexWAN interfaces)
- Each EtherChannel port-channel interface
- Each VLAN interface



Note

- With releases earlier than Release 12.2(33)SXI, VSS mode does not support ingress service policies on Layer 2 ports.
- With Release 12.2(33)SXI and later releases, VSS mode supports ingress service policies on Layer 2 ports.

You can attach one policy map to each Layer 3 interface (except FlexWAN interfaces) to apply egress PFC QoS.

Each policy map can contain multiple policy-map classes. You can configure a separate policy-map class for each type of traffic handled by the interface. There are two ways to configure filtering in policy-map classes:

- Access control lists (ACLs)
- Class-map **match** commands for IP precedence and DSCP values

Policy-map classes specify actions with the following optional commands:

- Policy-map **set** commands—For untrusted traffic or if [ignore port trust](#) is enabled, PFC QoS can use configured IP precedence or DSCP values as the final internal DSCP value. The [“IP Precedence and DSCP Values” section on page 43-58](#) shows the bit values for IP precedence and DSCP.
- Policy-map class **trust** commands—PFC QoS applies the policy-map class trust state to matched ingress traffic, which then uses the trusted value as the basis of its initial internal DSCP value, instead of the QoS label that was trusted at the port (if any). In a policy map, you can trust [CoS](#), [IP precedence](#), or [DSCP](#).



Note

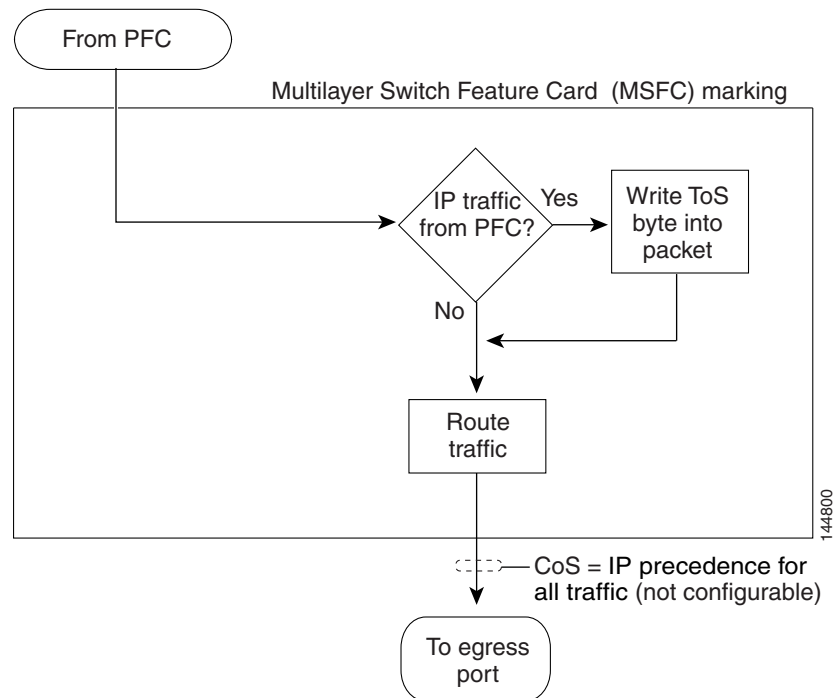
A trust CoS policy map cannot restore received CoS in traffic from untrusted ports. Traffic from untrusted ports always has the port CoS value.

- Aggregate and microflow policers—PFC QoS can use policers to either mark or drop both conforming and nonconforming traffic.

Classification and Marking on the RP

PFC QoS sends IP traffic to the RP with the final internal DSCP values. CoS is equal to IP precedence in all traffic sent from the RP to egress ports.

Figure 43-7 RP Marking



Note

Traffic that is Layer 3 switched on the PFC does not go through the RP and retains the CoS value assigned by the PFC.

Policers

These sections describe policers:

- [Overview of Policers, page 43-17](#)
- [Aggregate Policers, page 43-18](#)
- [Microflow Policers, page 43-19](#)

Overview of Policers

Policing allows you to rate limit incoming and outgoing traffic so that it adheres to the traffic forwarding rules defined by the QoS configuration. Sometimes these configured rules for how traffic should be forwarded through the system are referred to as a contract. If the traffic does not adhere to this contract, it is marked down to a lower DSCP value or dropped.

Policing does not buffer out-of-profile packets. As a result, policing does not affect transmission delay. In contrast, traffic shaping works by buffering out-of-profile traffic, which moderates the traffic bursts. (PFC QoS does not support shaping.)

The PFC3 supports ingress and egress PFC QoS, which includes ingress and egress policing. Traffic shaping is supported on some WAN modules.

**Note**

Policers can act on ingress traffic per-port or per-VLAN. For egress traffic, the policers can act per-VLAN only.

You can create policers to do the following:

- Mark traffic
- Limit bandwidth utilization and mark traffic

Aggregate Policers

PFC QoS applies the bandwidth limits specified in an aggregate policer cumulatively to all flows in matched traffic. For example, if you configure an aggregate policer to allow 1 Mbps for all TFTP traffic flows on VLAN 1 and VLAN 3, it limits the TFTP traffic for all flows combined on VLAN 1 and VLAN 3 to 1 Mbps.

- You define per-interface aggregate policers in a policy map class with the **police** command. If you attach a per-interface aggregate policer to multiple ingress ports, it polices the matched traffic on each ingress port separately.
- You create named aggregate policers with the **mls qos aggregate-policer** command. If you attach a named aggregate policer to multiple ingress ports, it polices the matched traffic from all the ingress ports to which it is attached.
- Aggregate policing works independently on each DFC-equipped switching module and independently on the PFC, which supports any non-DFC-equipped switching modules. Aggregate policing does not combine flow statistics from different DFC-equipped switching modules. You can display aggregate policing statistics for each DFC-equipped switching module and for the PFC and any non-DFC-equipped switching modules supported by the PFC.
- Each PFC or DFC polices independently, which might affect QoS features being applied to traffic that is distributed across the PFC and any DFCs. Examples of these QoS feature are:
 - Policers applied to a port channel interface.
 - Policers applied to a switched virtual interface.
 - Egress policers applied to either a Layer 3 interface or an SVI. Note that PFC QoS performs egress policing decisions at the ingress interface, on the PFC or ingress DFC.

Policers affected by this restriction deliver an aggregate rate that is the sum of all the independent policing rates.

Microflow Policers

PFC QoS applies the bandwidth limit specified in a microflow policer separately to each flow in matched traffic. For example, if you configure a microflow policer to limit the TFTP traffic to 1 Mbps on VLAN 1 and VLAN 3, then 1 Mbps is allowed for each flow in VLAN 1 and 1 Mbps for each flow in VLAN 3. In other words, if there are three flows in VLAN 1 and four flows in VLAN 3, the microflow policer allows each of these flows 1 Mbps.

You can configure PFC QoS to apply the bandwidth limits in a microflow policer as follows:

- You can create microflow policers with up to 63 different rate and burst parameter combinations.
- You create microflow policers in a policy map class with the **police flow** command.
- You can configure a microflow policer to use only source addresses, which applies the microflow policer to all traffic from a source address regardless of the destination addresses.
- You can configure a microflow policer to use only destination addresses, which applies the microflow policer to all traffic to a destination address regardless of the source addresses.
- For MAC-Layer microflow policing, PFC QoS considers MAC-Layer traffic with the same protocol and the same source and destination MAC-Layer addresses to be part of the same flow, including traffic with different EtherTypes. You can configure MAC ACLs to filter IPX traffic.



Note With Release 12.2(33)SX14 and later releases, when appropriate for the configuration of the policer, microflow policers use the interface-full flow mask, which can reduce flowmask conflicts. Releases earlier than Release 12.2(33)SX14 use the full flow mask.

- By default, microflow policers only affect traffic routed by the RP. To enable microflow policing of other traffic, including traffic in bridge groups, enter the **mls qos bridged** command.
- You cannot apply microflow policing to ARP traffic.
- You cannot apply microflow policing to IPv6 multicast traffic.

You can include both an aggregate policer and a microflow policer in each policy map class to police a flow based on both its own bandwidth utilization and on its bandwidth utilization combined with that of other flows.



Note If traffic is both aggregate and microflow policed, then the aggregate and microflow policers must both be in the same policy-map class and each must use the same **conform-action** and **exceed-action** keyword option: **drop**, **set-dscp-transmit**, **set-prec-transmit**, or **transmit**.

For example, you could create a microflow policer with a bandwidth limit suitable for individuals in a group, and you could create a named aggregate policer with bandwidth limits suitable for the group as a whole. You could include both policers in policy map classes that match the group's traffic. The combination would affect individual flows separately and the group aggregately.

For policy map classes that include both an aggregate and a microflow policer, PFC QoS responds to an out-of-profile status from either policer and, as specified by the policer, applies a new DSCP value or drops the packet. If both policers return an out-of-profile status, then if either policer specifies that the packet is to be dropped, it is dropped; otherwise, PFC QoS applies a marked-down DSCP value.



Note To avoid inconsistent results, ensure that all traffic policed by the same aggregate policer has the same trust state.

Policing uses the Layer 2 frame size. You specify the bandwidth utilization limit as a committed information rate (CIR). You can also specify a higher peak information rate (PIR). Packets that exceed a rate are “out of profile” or “nonconforming.”

In each policer, you specify if out-of-profile packets are to be dropped or to have a new DSCP value applied to them (applying a new DSCP value is called “markdown”). Because out-of-profile packets do not retain their original priority, they are not counted as part of the bandwidth consumed by in-profile packets.

If you configure a PIR, the PIR out-of-profile action cannot be less severe than the CIR out-of-profile action. For example, if the CIR out-of-profile action is to mark down the traffic, then the PIR out-of-profile action cannot be to transmit the traffic.

For all policers, PFC QoS uses a configurable global table that maps the [internal DSCP](#) value to a marked-down DSCP value. When markdown occurs, PFC QoS gets the marked-down DSCP value from the table. You cannot specify marked-down DSCP values in individual policers.



Note

- Policing with the **conform-action transmit** keywords supersedes the ingress LAN port trust state of matched traffic with trust DSCP or with the trust state defined by a **trust** policy-map class command.
- By default, the markdown table is configured so that no markdown occurs: the marked-down DSCP values are equal to the original DSCP values. To enable markdown, configure the table appropriately for your network.
- When you apply both ingress policing and egress policing to the same traffic, both the input policy and the output policy must either mark down traffic or drop traffic. PFC QoS does not support ingress markdown with egress drop or ingress drop with egress markdown.

Understanding Port-Based Queue Types

Port-based queue types are determined by the ASICs that control the ports. The following sections describe the queue types, drop thresholds, and buffers that are supported on the LAN switching modules:

- [Ingress and Egress Buffers and Layer 2 CoS-Based Queues, page 43-20](#)
- [Ingress Queue Types, page 43-22](#)
- [Egress Queue Types, page 43-23](#)
- [Module to Queue Type Mappings, page 43-24](#)

Ingress and Egress Buffers and Layer 2 CoS-Based Queues

The Ethernet port ASICs have buffers that are divided into a fixed number of queues. When [congestion avoidance](#) is enabled, PFC QoS uses the traffic’s Layer 2 CoS value to assign traffic to the queues. The buffers and queues store frames temporarily as they transit the switch. PFC QoS allocates the port ASIC memory as buffers for each queue on each port.

The Ethernet ports support the following types of queues:

- Standard queues
- Strict-priority queues

The Ethernet ports support the following types of scheduling algorithms between queues:

- Shaped round robin (SRR)—SRR allows a queue to use only the allocated bandwidth.
- Deficit weighted round robin (DWRR)—DWRR keeps track of any lower-priority queue under-transmission caused by traffic in a higher-priority queue and compensates in the next round.
- Weighted Round Robin (WRR)—WRR does not explicitly reserve bandwidth for the queues. Instead, the amount of bandwidth assigned to each queue is user configurable. The percentage or weight allocated to a queue defines the amount of bandwidth allocated to the queue.
- Strict-priority queueing—Strict priority queueing allows delay-sensitive data such as voice to be dequeued and sent before packets in other queues are dequeued, giving delay-sensitive data preferential treatment over other traffic. The switch services traffic in the strict-priority transmit queue before servicing the standard queues. After transmitting a packet from a standard queue, the switch checks for traffic in the strict-priority queue. If the switch detects traffic in the strict-priority queue, it suspends its service of the standard queue and completes service of all traffic in the strict-priority queue before returning to the standard queue.

The Ethernet ports provide congestion avoidance with these types of thresholds within a queue:

- Weighted Random Early Detection (WRED)—On ports with WRED drop thresholds, frames with a given QoS label are admitted to the queue based on a random probability designed to avoid buffer congestion. The probability of a frame with a given QoS label being admitted to the queue or discarded depends on the weight and threshold assigned to that QoS label.

For example, if CoS 2 is assigned to queue 1, threshold 2, and the threshold 2 levels are 40 percent (low) and 80 percent (high), then frames with CoS 2 will not be dropped until queue 1 is at least 40 percent full. As the queue depth approaches 80 percent, frames with CoS 2 have an increasingly higher probability of being discarded rather than being admitted to the queue. Once the queue is over 80 percent full, all CoS 2 frames are dropped until the queue is less than 80 percent full. The frames the switch discards when the queue level is between the low and high thresholds are picked out at random, rather than on a per-flow basis or in a FIFO manner. This method works well with protocols such as TCP that can adjust to periodic packet drops by backing off and adjusting their transmission window size.

- Tail-drop thresholds—On ports with tail-drop thresholds, frames with a given QoS label are admitted to the queue until the drop threshold associated with that QoS label is exceeded; subsequent frames of that QoS label are discarded until the threshold is no longer exceeded. For example, if CoS 1 is assigned to queue 1, threshold 2, and the threshold 2 watermark is 60 percent, then frames with CoS 1 will not be dropped until queue 1 is 60 percent full. All subsequent CoS 1 frames will be dropped until the queue is less than 60 percent full. With some port types, you can configure the standard receive queue to use both a tail-drop and a WRED-drop threshold by mapping a CoS value to the queue or to the queue and a threshold. The switch uses the tail-drop threshold for traffic carrying CoS values mapped only to the queue. The switch uses WRED-drop thresholds for traffic carrying CoS values mapped to the queue and a threshold. All LAN ports of the same type use the same drop-threshold configuration.

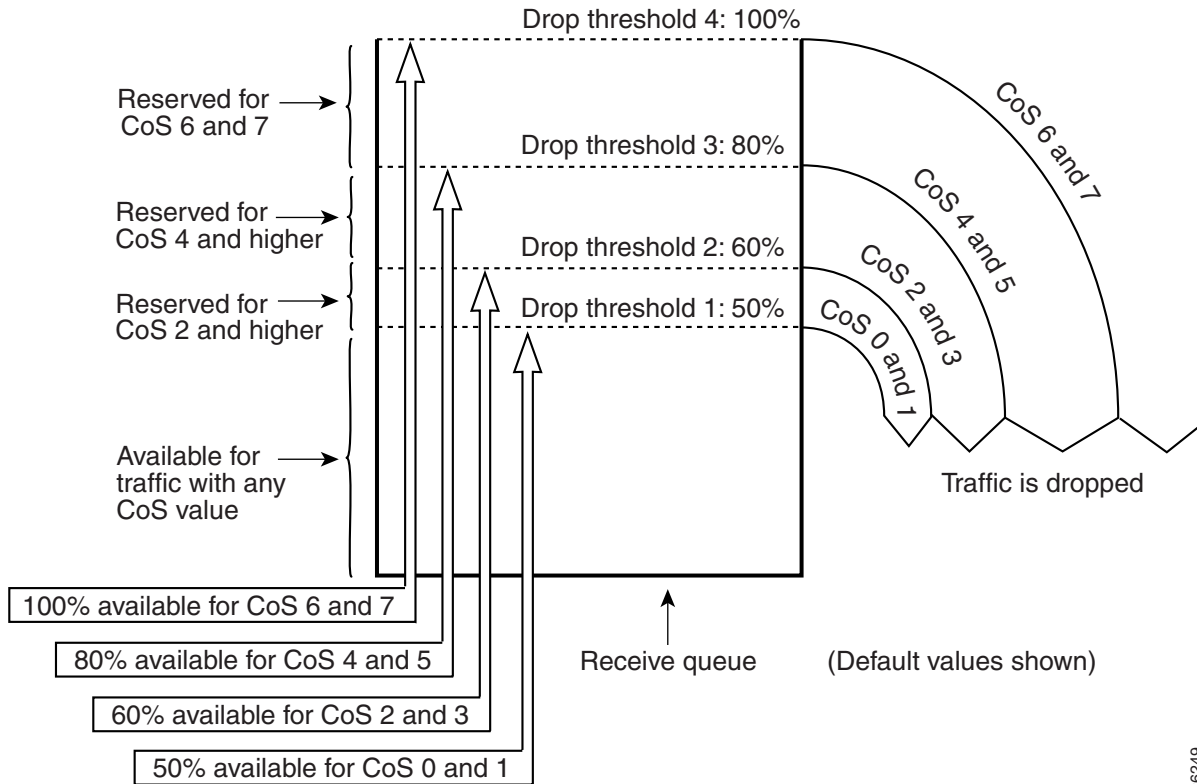
**Note**

You can enable DSCP-based queues and thresholds on WS-X6708-10GE, WS-X6716-10GE, WS-X6716-10T, and Supervisor Engine 720-10GE ports (see the [“Configuring DSCP-Based Queue Mapping”](#) section on page 43-101).

The combination of multiple queues and the scheduling algorithms associated with each queue allows the switch to provide [congestion avoidance](#).

[Figure 43-8](#) illustrates the drop thresholds for a **1q4t** ingress LAN port. Drop thresholds in other configurations function similarly.

Figure 43-8 Receive Queue Drop Thresholds



Ingress Queue Types

To see the queue structure of a LAN port, enter the **show queueing interface {ethernet | fastethernet | gigabitethernet | tengigabitethernet} slot/port | include type** command. The command displays one of the following architectures:

- **1q2t** indicates one standard queue with one configurable tail-drop threshold and one nonconfigurable tail-drop threshold.
- **1q4t** indicates one standard queue with four configurable tail-drop thresholds.
- **1q8t** indicates one standard queue with eight configurable tail-drop thresholds.
- **2q8t** indicates two standard queues, each with eight configurable tail-drop thresholds.
- **8q4t** indicates eight standard queues, each with four thresholds, each configurable as either WRED-drop or tail-drop.



Note With releases earlier than Release 12.2(33)SXJ3, do not use the default DSCP-based queue mapping for 8q4t ingress queues unless you configure supporting bandwidth and queue limits ([CSCts82932](#)).

- **8q8t** indicates eight standard queues, each with eight thresholds, each configurable as either WRED-drop or tail-drop.

- **1p1q4t** indicates:
 - One strict-priority queue
 - One standard queue with four configurable tail-drop thresholds.
- **1p1q0t** indicates:
 - One strict-priority queue
 - One standard queue with no configurable threshold (effectively a tail-drop threshold at 100 percent).
- **1p1q8t** indicates the following:
 - One strict-priority queue
 - One standard queue with these thresholds:
 - Eight thresholds, each configurable as either WRED-drop or tail-drop
 - One nonconfigurable (100 percent) tail-drop threshold

Egress Queue Types

To see the queue structure of an egress LAN port, enter the **show queueing interface** {**ethernet** | **fastethernet** | **gigabitethernet** | **tengigabitethernet**} *slot/port* | **include type** command.

The command displays one of the following architectures:

- **2q2t** indicates two standard queues, each with two configurable tail-drop thresholds.
- **1p2q2t** indicates the following:
 - One strict-priority queue
 - Two standard queues, each with two configurable WRED-drop thresholds
- **1p3q1t** indicates the following:
 - One strict-priority queue
 - Three standard queues with these thresholds:
 - One threshold configurable as either WRED-drop or tail-drop
 - One nonconfigurable (100 percent) tail-drop threshold
- **1p2q1t** indicates the following:
 - One strict-priority queue
 - Two standard queues with these thresholds:
 - One WRED-drop threshold
 - One nonconfigurable (100 percent) tail-drop threshold
- **1p3q8t** indicates the following:
 - One strict-priority queue
 - Three standard queues, each with eight thresholds, each threshold configurable as either WRED-drop or tail-drop
- **1p7q2t** indicates the following:
 - One strict-priority queue
 - Seven standard queues, each with two thresholds, each threshold configurable as either WRED-drop or tail-drop

- **1p7q4t** indicates the following:
 - One strict-priority queue
 - Seven standard queues, each with four thresholds, each threshold configurable as either WRED-drop or tail-drop
- **1p7q8t** indicates the following:
 - One strict-priority queue
 - Seven standard queues, each with eight thresholds, each threshold configurable as either WRED-drop or tail-drop

Module to Queue Type Mappings

The following tables show the module to queue structure mapping:

- [Table 43-2—Supervisor Engine Module QoS Queue Structures](#)
- [Table 43-3—10-Gigabit Ethernet Modules](#)
- [Table 43-4—Gigabit and 10/100/1000 Ethernet Modules](#)
- [Table 43-5—Ethernet and Fast Ethernet Module Queue Structures](#)

Table 43-2 Supervisor Engine Module QoS Queue Structures

Supervisor Engines	Ingress Queue and Drop Thresholds	Ingress Queue Scheduler	Egress Queue and Drop Thresholds	Egress Queue Scheduler	Total Buffer Size	Ingress Buffer Size	Egress Buffer Size
VS-S720-10G-3CXL VS-S720-10G-3C						128 MB	112 MB
With Gigabit Ethernet ports enabled	2q4t	WRR	1p3q4t	DWRR or SRR			
	Does not support DSCP-based queueing.						
With Gigabit Ethernet ports disabled	8q4t	WRR	1p7q4t	DWRR or SRR			
	<ul style="list-style-type: none"> • Supports DSCP-based queueing. • With releases earlier than Release 12.2(33)SXJ3, do not use the default DSCP-based queue mapping for 8q4t ingress queues unless you configure supporting bandwidth and queue limits (CSCts82932). 						
WS-SUP720	1p1q4t	—	1p2q2t	WRR	512 KB	73 KB	439 KB
WS-SUP720-3B							
WS-SUP720-3BXL							
WS-SUP32-10GE	2q8t	WRR	1p3q8t	DWRR or SRR			
10-Gigabit Ethernet ports					193 MB	105 MB	88 MB
Gigabit Ethernet port					17.7 MB	9.6 MB	8.1 MB
WS-SUP32-GE					17.7 MB	9.6 MB	8.1 MB

**Note**

To disable the Supervisor Engine 720-10GE Gigabit Ethernet ports, enter **shutdown** interface configuration mode commands for the Supervisor Engine 720-10GE Gigabit Ethernet ports, and then enter the **mls qos 10g-only** global configuration command, which disables the Gigabit Ethernet ports on the Supervisor Engine 720-10GE.

Table 43-3 10-Gigabit Ethernet Modules

Modules	Ingress Queue and Drop Thresholds	Ingress Queue Scheduler	Egress Queue and Drop Thresholds	Egress Queue Scheduler	Total Buffer Size	Ingress Buffer Size	Egress Buffer Size
WS-X6716-10GE, WS-X6716-10T (supports DSCP-based queueing)							
Note With releases earlier than Release 12.2(33)SXJ3, do not use the default DSCP-based queue mapping for 8q4t ingress queues unless you configure supporting bandwidth and queue limits (CSCts82932).							
Performance mode	8q4t	DWRR	1p7q4t	DWRR or SRR	198 MB	108 MB per port	90 MB per port
Oversubscription mode	1p7q2t				91 MB	90 MB per port	1 MB per port group
WS-X6708-10GE (supports DSCP-based queueing)					200 MB	108 MB	90 MB
Note With releases earlier than Release 12.2(33)SXJ3, do not use the default DSCP-based queue mapping for 8q4t ingress queues unless you configure supporting bandwidth and queue limits (CSCts82932).							
Performance mode	8q4t	DWRR	1p7q4t	DWRR or SRR			
Oversubscription mode	1p7q2t						
WS-X6704-10GE with DFC3	8q8t	WRR	1p7q8t	DWRR	16 MB	2 MB	14 MB
WS-X6704-10GE with CFC	1q8t	—					
WS-X6502-10GE	1p1q8t	—	1p2q1t	DWRR	64.2 MB	256 KB	64 MB

Table 43-4 Gigabit and 10/100/1000 Ethernet Modules

Modules	Ingress Queue and Drop Thresholds	Ingress Queue Scheduler	Egress Queue and Drop Thresholds	Egress Queue Scheduler	Total Buffer Size	Ingress Buffer Size	Egress Buffer Size
WS-X6816-GBIC	1p1q4t	—	1p2q2t	WRR	512 KB	73 KB	439 KB
WS-X6748-GE-TX with DFC3	2q8t	WRR	1p3q8t	DWRR	1.3 MB	166 KB	1.2 MB
WS-X6748-GE-TX with CFC	1q8t	—					
WS-X6748-SFP with DFC3	2q8t	WRR					
WS-X6748-SFP with CFC	1q8t	—					
WS-X6724-SFP with DFC3	2q8t	WRR					
WS-X6724-SFP with CFC	1q8t	—					

Table 43-4 Gigabit and 10/100/1000 Ethernet Modules (continued)

Modules	Ingress Queue and Drop Thresholds	Ingress Queue Scheduler	Egress Queue and Drop Thresholds	Egress Queue Scheduler	Total Buffer Size	Ingress Buffer Size	Egress Buffer Size
WS-X6548-GE-TX	1q2t	—	1p2q2t	WRR	1.4 MB	185 KB	1.2 MB
WS-X6548V-GE-TX							
WS-X6548-GE-45AF							
WS-X6516-GBIC	1p1q4t	—	1p2q2t	WRR	512 KB	73 KB	439 KB
WS-X6516A-GBIC				WRR	1 MB	135 KB	946 KB
WS-X6516-GE-TX				WRR	512 KB	73 KB	439 KB
WS-X6408-GBIC	1q4t	—	2q2t	WRR	1.4 MB	80 KB	432 KB
WS-X6408A-GBIC	1p1q4t	—	1p2q2t	WRR		73 KB	439 KB
WS-X6416-GBIC							
WS-X6416-GE-MT							
WS-X6316-GE-TX							
WS-X6148-GE-TX	1q2t	—			1.4 MB	185 KB	1.2 MB
WS-X6148V-GE-TX							
WS-X6148-GE-45AF							

Table 43-5 Ethernet and Fast Ethernet Module Queue Structures

Modules	Ingress Queue and Drop Thresholds	Ingress Queue Scheduler	Egress Queue and Drop Thresholds	Egress Queue Scheduler	Total Buffer Size	Ingress Buffer Size	Egress Buffer Size
WS-X6524-100FX-MM	1p1q0t	—	1p3q1t	DWRR	1,116 KB	28 KB	1,088 KB
WS-X6548-RJ-21							
WS-X6548-RJ-45							

Table 43-5 Ethernet and Fast Ethernet Module Queue Structures (continued)

Modules	Ingress Queue and Drop Thresholds	Ingress Queue Scheduler	Egress Queue and Drop Thresholds	Egress Queue Scheduler	Total Buffer Size	Ingress Buffer Size	Egress Buffer Size
WS-X6324-100FX-MM	1q4t	—	2q2t	WRR	128 KB	16 KB	112 KB
WS-X6324-100FX-SM							
WS-X6348-RJ-45							
WS-X6348-RJ-45V							
WS-X6348-RJ-21V							
WS-X6224-100FX-MT							
WS-X6248-RJ-45					64 KB	8 KB	56 KB
WS-X6248-TEL							
WS-X6248A-TEL							
WS-X6148-RJ-45							
WS-X6148-RJ-45V							
WS-X6148-45AF							
WS-X6148-RJ-21					128 KB	16 KB	112 KB
WS-X6148-RJ-21V							
WS-X6148-21AF							
WS-X6148X2-RJ-45							
WS-X6148X2-45AF							
WS-X6024-10FL-MT							
WS-X6148X2-RJ-45	1p1q0t	—	1p3q1t	DWRR	1,116 KB	28 KB	1,088 KB
WS-X6148X2-45AF							
WS-X6024-10FL-MT	1q4t	—	2q2t	WRR	64 KB	8 KB	56 KB

PFC QoS Default Configuration

These sections describe the PFC QoS default configuration:

- [PFC QoS Global Settings, page 43-27](#)
- [Default Values with PFC QoS Enabled, page 43-28](#)
- [Default Values with PFC QoS Disabled, page 43-52](#)

PFC QoS Global Settings

The following global PFC QoS settings apply:

Feature	Default Value
PFC QoS global enable state	Disabled
PFC QoS port enable state	Enabled when PFC QoS is globally enabled
Port CoS value	0

Feature	Default Value
Microflow policing	Enabled
IntraVLAN microflow policing	Disabled
Port-based or VLAN-based PFC QoS	Port-based
Received CoS to initial internal DSCP map (initial internal DSCP set from received CoS values)	CoS 0 = DSCP 0 CoS 1 = DSCP 8 CoS 2 = DSCP 16 CoS 3 = DSCP 24 CoS 4 = DSCP 32 CoS 5 = DSCP 40 CoS 6 = DSCP 48 CoS 7 = DSCP 56
Received IP precedence to initial internal DSCP map (initial internal DSCP set from received IP precedence values)	IP precedence 0 = DSCP 0 IP precedence 1 = DSCP 8 IP precedence 2 = DSCP 16 IP precedence 3 = DSCP 24 IP precedence 4 = DSCP 32 IP precedence 5 = DSCP 40 IP precedence 6 = DSCP 48 IP precedence 7 = DSCP 56
Final internal DSCP to egress CoS map (egress CoS set from final internal DSCP values)	DSCP 0–7 = CoS 0 DSCP 8–15 = CoS 1 DSCP 16–23 = CoS 2 DSCP 24–31 = CoS 3 DSCP 32–39 = CoS 4 DSCP 40–47 = CoS 5 DSCP 48–55 = CoS 6 DSCP 56–63 = CoS 7
Marked-down DSCP from DSCP map	Marked-down DSCP value equals original DSCP value (no markdown)
Policers	None
Policy maps	None
Protocol-independent MAC ACL filtering	Disabled
VLAN-based MAC ACL QoS filtering	Disabled

Default Values with PFC QoS Enabled

These sections list the default values that apply when PFC QoS is enabled:

- [Receive-Queue Limits, page 43-29](#)
- [Transmit-Queue Limits, page 43-29](#)
- [Bandwidth Allocation Ratios, page 43-30](#)
- [Default Drop-Threshold Percentages and CoS Value Mappings, page 43-30](#)



Note

The ingress LAN port trust state defaults to untrusted with QoS enabled.

Receive-Queue Limits

Feature	Default Value
2q8t	Low priority: 80%
	High priority: 20%
8q4t	Low priority: 80%
	Intermediate queues: 0%
	High priority: 20%
8q8t	Lowest priority: 80%
	Intermediate queues: 0%
	Highest priority: 20%

Transmit-Queue Limits

Feature	Default Value
2q2t	Low priority: 80%
	High priority: 20%
1p2q2t	Low priority: 70%
	High priority: 15%
	Strict priority 15%
1p2q1t	Low priority: 70%
	High priority: 15%
	Strict priority 15%
1p3q8t	Low priority: 50%
	Medium priority: 20%
	High priority: 15%
	Strict priority 15%
1p7q2t	Standard queue 1 (lowest priority): 50%
	Standard queue 2: 20%
	Standard queue 3: 15%
	Standard queues 4 through 7: 0%
	Strict priority 15%
1p7q4t	Standard queue 1 (lowest priority): 50%
	Standard queue 2: 20%
	Standard queue 3: 15%
	Standard queues 4 through 7: 0%
	Strict priority 15%

Feature	Default Value
1p7q8t	Standard queue 1 (lowest priority): 50%
	Standard queue 2: 20%
	Standard queue 3: 15%
	Standard queues 4 through 7: 0%
	Strict priority 15%

Bandwidth Allocation Ratios

Feature	Default Value
2q8t	90:10
8q4t	90:0:0:0:0:0:10
8q8t	90:0:0:0:0:0:10
1p3q8t	100:150:200
1p7q2t	5:255
1p7q4t	100:150:200:0:0:0:0:0
1p7q8t	100:150:200:0:0:0:0
1p2q1t	100:255
2q2t, 1p2q2t, and 1p2q1t	5:255
1p3q1t	100:150:255

Default Drop-Threshold Percentages and CoS Value Mappings

The following tables list the default drop-thresholds values and CoS mappings for different queue types:

- [1q2t Receive Queues, page 43-31](#)
- [1q4t Receive Queues, page 43-31](#)
- [1p1q4t Receive Queues, page 43-32](#)
- [1p1q0t Receive Queues, page 43-32](#)
- [1p1q8t Receive Queues, page 43-33](#)
- [1q8t Receive Queues, page 43-34](#)
- [2q8t Receive Queues, page 43-35](#)
- [8q4t Receive Queues, page 43-36](#)
- [8q8t Receive Queues, page 43-42](#)
- [2q2t Transmit Queues, page 43-42](#)
- [1p2q2t Transmit Queues, page 43-43](#)
- [1p3q8t Transmit Queues, page 43-44](#)
- [1p7q2t Receive Queues, page 43-45](#)
- [1p7q4t Transmit Queues, page 43-47](#)

- [1p7q8t Transmit Queues, page 43-50](#)
- [1p3q1t Transmit Queues, page 43-51](#)
- [1p2q1t Transmit Queues, page 43-52](#)

**Note**

The receive queue values shown are the values in effect when the port is configured to trust CoS or DSCP. When the port is untrusted, the receive queue values are the same as when QoS is globally disabled.

1q2t Receive Queues

Feature			Default Value
Standard receive queue	Threshold 1	CoS	0, 1, 2, 3, and 4
		Tail-drop	80%
		WRED-drop	Not supported
	Threshold 2	CoS	5, 6, and 7
		Tail-drop	100% (not configurable)
		WRED-drop	Not supported

1q4t Receive Queues

Feature			Default Value
Standard receive queue	Threshold 1	CoS	0 and 1
		Tail-drop	50%
		WRED-drop	Not supported
	Threshold 2	CoS	2 and 3
		Tail-drop	60%
		WRED-drop	Not supported
	Threshold 3	CoS	4 and 5
		Tail-drop	80%
		WRED-drop	Not supported
	Threshold 4	CoS	6 and 7
		Tail-drop	100%
		WRED-drop	Not supported

1p1q4t Receive Queues

Feature			Default Value
Standard receive queue	Threshold 1	CoS	0 and 1
		Tail-drop	50%
		WRED-drop	Not supported
	Threshold 2	CoS	2 and 3
		Tail-drop	60%
		WRED-drop	Not supported
	Threshold 3	CoS	4 and 6
		Tail-drop	80%
		WRED-drop	Not supported
	Threshold 4	CoS	7
		Tail-drop	100%
		WRED-drop	Not supported
Strict-priority receive queue	CoS	5	
	Tail-drop	100% (nonconfigurable)	

1p1q0t Receive Queues

Feature		Default Value
Standard receive queue	CoS	0, 1, 2, 3, 4, 6, and 7
	Tail-drop	100% (nonconfigurable)
	WRED-drop	Not supported
Strict-priority receive queue	CoS	5
	Tail-drop	100% (nonconfigurable)

1p1q8t Receive Queues

Feature		Default Value	
Standard receive queue	Threshold 1	CoS	0
		Tail-drop	Disabled; 70%
		WRED-drop	Enabled; 40% low, 70% high
	Threshold 2	CoS	1
		Tail-drop	Disabled; 70%
		WRED-drop	Enabled; 40% low, 70% high
	Threshold 3	CoS	2
		Tail-drop	Disabled; 80%
		WRED-drop	Enabled; 50% low, 80% high
	Threshold 4	CoS	3
		Tail-drop	Disabled; 80%
		WRED-drop	Enabled; 50% low, 80% high
	Threshold 5	CoS	4
		Tail-drop	Disabled; 90%
		WRED-drop	Enabled; 60% low, 90% high
	Threshold 6	CoS	6
		Tail-drop	Disabled; 90%
		WRED-drop	Enabled; 60% low, 90% high
	Threshold 7	CoS	7
		Tail-drop	Disabled; 100%
		WRED-drop	Enabled; 70% low, 100% high
Strict-priority receive queue		CoS	5
		Tail-drop	100% (nonconfigurable)

Standard Receive Queues

Feature		Default Value	
Standard receive queue	Threshold 1	CoS	0
		Tail-drop	50%
		WRED-drop	Not supported
	Threshold 2	CoS	None
		Tail-drop	50%
		WRED-drop	Not supported
	Threshold 3	CoS	1, 2, 3, 4
		Tail-drop	60%
		WRED-drop	Not supported
	Threshold 4	CoS	None
		Tail-drop	60%
		WRED-drop	Not supported
	Threshold 5	CoS	6 and 7
		Tail-drop	80%
		WRED-drop	Not supported
	Threshold 6	CoS	None
		Tail-drop	80%
		WRED-drop	Not supported
	Threshold 7	CoS	5
		Tail-drop	100%
		WRED-drop	Not supported
	Threshold 8	CoS	None
		Tail-drop	100%
		WRED-drop	Not supported

2q8t Receive Queues

Feature		Default Value	
Standard receive queue 1 (low priority)	Threshold 1	CoS	0 and 1
		Tail-drop	70%
		WRED-drop	Not supported
	Threshold 2	CoS	2 and 3
		Tail-drop	80%
		WRED-drop	Not supported
	Threshold 3	CoS	4
		Tail-drop	90%
		WRED-drop	Not supported
	Threshold 4	CoS	6 and 7
		Tail-drop	100%
		WRED-drop	Not supported
	Thresholds 5–8	CoS	None
		Tail-drop	100%
		WRED-drop	Not supported
Standard receive queue 2 (high priority)	Threshold 1	CoS	5
		Tail-drop	100%
		WRED-drop	Not supported
	Thresholds 2–8	CoS	None
		Tail-drop	100%
		WRED-drop	Not supported

8q4t Receive Queues

**Note**

With releases earlier than Release 12.2(33)SXJ3, do not use the default DSCP-based queue mapping for 8q4t ingress queues unless you configure supporting bandwidth and queue limits ([CSCts82932](#)).

Feature		Default Value	
Standard receive queue 1 (lowest priority)	Threshold 1	CoS	0 and 1
		DSCP	Release 12.2(33)SXJ3 and later releases: 0–9, 11, 13–17, 19, 21–25, 27, 29–39, 48–63 Releases earlier than Release 12.2(33)SXJ3: 0–9, 11, 13, 15–17, 19, 21, 23, 25, 27, 29, 31, 33, 39, 41–45, 47
		Tail-drop	Disabled; 70%
		WRED-drop	Enabled; 40% low, 70% high
	Threshold 2	CoS	2 and 3
		DSCP	Release 12.2(33)SXJ3 and later releases: 12, 20, 28 Releases earlier than Release 12.2(33)SXJ3: None.
		Tail-drop	Disabled; 80%
		WRED-drop	Enabled; 40% low, 80% high
	Threshold 3	CoS	4
		DSCP	Release 12.2(33)SXJ3 and later releases: 10, 18, 26 Releases earlier than Release 12.2(33)SXJ3: None.
		Tail-drop	Disabled; 90%
		WRED-drop	Enabled; 50% low, 90% high
	Threshold 4	CoS	6 and 7
		DSCP	None.
		Tail-drop	Disabled; 100%
		WRED-drop	Enabled; 50% low, 100% high

Feature (continued)			Default Value
Standard receive queue 2 (intermediate priority)	Threshold 1	CoS	None
		DSCP	Release 12.2(33)SXJ3 and later releases: None. Releases earlier than Release 12.2(33)SXJ3: 14
		Tail-drop	Enabled; 100%
		WRED-drop	Disabled; 100% low, 100% high
	Threshold 2	CoS	None
		DSCP	Release 12.2(33)SXJ3 and later releases: None. Releases earlier than Release 12.2(33)SXJ3: 12
		Tail-drop	Enabled; 100%
		WRED-drop	Disabled; 100% low, 100% high
	Threshold 3	CoS	None
		DSCP	Release 12.2(33)SXJ3 and later releases: None. Releases earlier than Release 12.2(33)SXJ3: 10
		Tail-drop	Enabled; 100%
		WRED-drop	Disabled; 100% low, 100% high
	Threshold 4	CoS	None
		DSCP	None
		Tail-drop	Enabled; 100%
		WRED-drop	Disabled; 100% low, 100% high

Feature (continued)			Default Value
Standard receive queue 3 (intermediate priority)	Threshold 1	CoS	None
		DSCP	Release 12.2(33)SXJ3 and later releases: None. Releases earlier than Release 12.2(33)SXJ3: 22
		Tail-drop	Enabled; 100%
		WRED-drop	Disabled; 100% low, 100% high
	Threshold 2	CoS	None
		DSCP	Release 12.2(33)SXJ3 and later releases: None. Releases earlier than Release 12.2(33)SXJ3: 20
		Tail-drop	Enabled; 100%
		WRED-drop	Disabled; 100% low, 100% high
	Threshold 3	CoS	None
		DSCP	Release 12.2(33)SXJ3 and later releases: None. Releases earlier than Release 12.2(33)SXJ3: 18
		Tail-drop	Enabled; 100%
		WRED-drop	Disabled; 100% low, 100% high
	Threshold 4	CoS	None
		DSCP	None
		Tail-drop	Enabled; 100%
		WRED-drop	Disabled; 100% low, 100% high

Feature (continued)		Default Value	
Standard receive queue 4 (intermediate priority)	Threshold 1	CoS	None
		DSCP	Release 12.2(33)SXJ3 and later releases: None. Releases earlier than Release 12.2(33)SXJ3: 24 and 30
		Tail-drop	Enabled; 100%
		WRED-drop	Disabled; 100% low, 100% high
	Threshold 2	CoS	None
		DSCP	Release 12.2(33)SXJ3 and later releases: None. Releases earlier than Release 12.2(33)SXJ3: 28
		Tail-drop	Enabled; 100%
		WRED-drop	Disabled; 100% low, 100% high
	Threshold 3	CoS	None
		DSCP	Release 12.2(33)SXJ3 and later releases: None. Releases earlier than Release 12.2(33)SXJ3: 26
		Tail-drop	Enabled; 100%
		WRED-drop	Disabled; 100% low, 100% high
	Threshold 4	CoS	None
		DSCP	None
		Tail-drop	Enabled; 100%
		WRED-drop	Disabled; 100% low, 100% high

Feature (continued)		Default Value	
Standard receive queue 5 (intermediate priority)	Threshold 1	CoS	None
		DSCP	Release 12.2(33)SXJ3 and later releases: None. Releases earlier than Release 12.2(33)SXJ3: 32, 34–38
		Tail-drop	Enabled; 100%
		WRED-drop	Disabled; 100% low, 100% high
	Threshold 2	CoS	None
		DSCP	None
		Tail-drop	Enabled; 100%
		WRED-drop	Disabled; 100% low, 100% high
	Threshold 3	CoS	None
		DSCP	None
		Tail-drop	Enabled; 100%
		WRED-drop	Disabled; 100% low, 100% high
	Threshold 4	CoS	None
		DSCP	None
		Tail-drop	Enabled; 100%
		WRED-drop	Disabled; 100% low, 100% high
Standard receive queue 6 (intermediate priority)	Threshold 1	CoS	None
		DSCP	Release 12.2(33)SXJ3 and later releases: None. Releases earlier than Release 12.2(33)SXJ3: 48–63
		Tail-drop	Enabled; 100%
		WRED-drop	Disabled; 100% low, 100% high
	Threshold 2	CoS	None
		DSCP	None
		Tail-drop	Enabled; 100%
		WRED-drop	Disabled; 100% low, 100% high
	Threshold 3	CoS	None
		DSCP	None
		Tail-drop	Enabled; 100%
		WRED-drop	Disabled; 100% low, 100% high
	Threshold 4	CoS	None
		DSCP	None
		Tail-drop	Enabled; 100%
		WRED-drop	Disabled; 100% low, 100% high

Feature (continued)		Default Value	
Standard receive queue 7 (intermediate priority)	Threshold 1	CoS	None
		DSCP	None
		Tail-drop	Enabled; 100%
		WRED-drop	Disabled; 100% low, 100% high
	Threshold 2	CoS	None
		DSCP	None
		Tail-drop	Enabled; 100%
		WRED-drop	Disabled; 100% low, 100% high
	Threshold 3	CoS	None
		DSCP	None
		Tail-drop	Enabled; 100%
		WRED-drop	Disabled; 100% low, 100% high
	Threshold 4	CoS	None
		DSCP	None
		Tail-drop	Enabled; 100%
		WRED-drop	Disabled; 100% low, 100% high
Standard receive queue 8 (high priority)	Threshold 1	CoS	5
		DSCP	Release 12.2(33)SXJ3 and later releases: 40–47 Releases earlier than Release 12.2(33)SXJ3: 40 and 46
		Tail-drop	Enabled; 100%
		WRED-drop	Disabled; 100% low, 100% high
	Threshold 2	CoS	None
		DSCP	None
		Tail-drop	Enabled; 100%
		WRED-drop	Disabled; 100% low, 100% high
	Threshold 3	CoS	None
		DSCP	None
		Tail-drop	Enabled; 100%
		WRED-drop	Disabled; 100% low, 100% high
	Threshold 4	CoS	None
		DSCP	None
		Tail-drop	Enabled; 100%
		WRED-drop	Disabled; 100% low, 100% high

8q8t Receive Queues

Feature			Default Value
Standard receive queue 1 (lowest priority)	Threshold 1	CoS	0 and 1
		Tail-drop	Disabled; 70%
		WRED-drop	Enabled; 40% low, 70% high
	Threshold 2	CoS	2 and 3
		Tail-drop	Disabled; 80%
		WRED-drop	Enabled; 40% low, 80% high
	Threshold 3	CoS	4
		Tail-drop	Disabled; 90%
		WRED-drop	Enabled; 50% low, 90% high
	Threshold 4	CoS	6 and 7
		Tail-drop	Disabled; 100%
		WRED-drop	Enabled; 50% low, 100% high
	Thresholds 5–8	CoS	None
		Tail-drop	Disabled; 100%
		WRED-drop	Enabled; 50% low, 100% high
Standard receive queues 2–7 (intermediate priorities)	Thresholds 1–8	CoS	None
		Tail-drop	Enabled; 100%
		WRED-drop	Disabled; 100% low, 100% high
Standard receive queue 8 (highest priority)	Threshold 1	CoS	5
		Tail-drop	Enabled; 100%
		WRED-drop	Disabled; 100% low, 100% high
	Thresholds 2–8	CoS	None
		Tail-drop	Enabled; 100%
		WRED-drop	Disabled; 100% low, 100% high

2q2t Transmit Queues

Feature			Default Value
Standard transmit queue 1 (low priority)	Threshold 1	CoS	0 and 1
		Tail-drop	80%
		WRED-drop	Not supported
	Threshold 2	CoS	2 and 3
		Tail-drop	100%
		WRED-drop	Not supported

Feature			Default Value
Standard transmit queue 2 (high priority)	Threshold 1	CoS	4 and 5
		Tail-drop	80%
		WRED-drop	Not supported
	Threshold 2	CoS	6 and 7
		Tail-drop	100%
		WRED-drop	Not supported

1p2q2t Transmit Queues

Feature			Default Value
Standard transmit queue 1 (low priority)	Threshold 1	CoS	0 and 1
		Tail-drop	Not supported
		WRED-drop	40% low, 70% high
	Threshold 2	CoS	2 and 3
		Tail-drop	Not supported
		WRED-drop	70% low, 100% high
Standard transmit queue 2 (high priority)	Threshold 1	CoS	4 and 6
		Tail-drop	Not supported
		WRED-drop	40% low, 70% high
	Threshold 2	CoS	7
		Tail-drop	Not supported
		WRED-drop	70% low, 100% high
Strict-priority transmit queue	CoS	5	
	Tail-drop	100% (nonconfigurable)	

1p3q8t Transmit Queues

Feature	Default Value		
Standard transmit queue 1 (lowest priority)	Threshold 1	CoS	0
		Tail-drop	Disabled; 70%
		WRED-drop	Enabled; 40% low, 70% high
	Threshold 2	CoS	1
		Tail-drop	Disabled; 100%
		WRED-drop	Enabled; 70% low, 100% high
	Threshold 3	CoS	None
		Tail-drop	Disabled; 100%
		WRED-drop	Enabled; 70% low, 100% high
	Threshold 4	CoS	None
		Tail-drop	Disabled; 100%
		WRED-drop	Enabled; 70% low, 100% high
	Thresholds 5–8	CoS	None
		Tail-drop	Disabled; 100%
		WRED-drop	Enabled; 50% low, 100% high
Standard transmit queue 2 (medium priority)	Threshold 1	CoS	2
		Tail-drop	Disabled; 70%
		WRED-drop	Enabled; 40% low, 70% high
	Threshold 2	CoS	3 and 4
		Tail-drop	Disabled; 100%
		WRED-drop	Enabled; 70% low, 100% high
	Thresholds 3–8	CoS	None
		Tail-drop	Disabled; 100%
		WRED-drop	Enabled; 70% low, 100% high
Standard transmit queue 3 (high priority)	Threshold 1	CoS	6 and 7
		Tail-drop	Disabled; 100%
		WRED-drop	Enabled; 70% low, 100% high
	Thresholds 2–8	CoS	None
		Tail-drop	Disabled; 100%
		WRED-drop	Enabled; 70% low, 100% high
Strict-priority transmit queue	CoS	5	
	Tail-drop	100% (nonconfigurable)	

1p7q2t Receive Queues

Feature			Default Value
Standard receive queue 1 (lowest priority)	Threshold 1	CoS	0
		DSCP	0–9, 11, 13, 15–17, 19, 21, 23, 25, 27, 29, 31, 33, 39, 41–45, 47
		Tail-drop	Disabled; 70%
		WRED-drop	Enabled; 40% low, 70% high
	Threshold 2	CoS	1
		DSCP	None
		Tail-drop	Disabled; 100%
		WRED-drop	Enabled; 70% low, 100% high
Standard receive queue 2 (intermediate priority)	Threshold 1	CoS	2
		DSCP	14
		Tail-drop	Disabled; 70%
		WRED-drop	Enabled; 40% low, 70% high
	Threshold 2	CoS	3 and 4
		DSCP	10 and 12
		Tail-drop	Disabled; 100%
		WRED-drop	Enabled; 70% low, 100% high
Standard receive queue 3 (intermediate priority)	Threshold 1	CoS	6 and 7
		DSCP	22
		Tail-drop	Disabled; 100%
		WRED-drop	Enabled; 70% low, 100% high
	Threshold 2	CoS	None
		DSCP	18 and 20
		Tail-drop	Disabled; 100%
		WRED-drop	Enabled; 70% low, 100% high
Standard receive queue 4 (intermediate priority)	Threshold 1	CoS	None
		DSCP	24 and 30
		Tail-drop	Enabled; 100%
		WRED-drop	Disabled; 100% low, 100% high
	Threshold 2	CoS	None
		DSCP	26 and 28
		Tail-drop	Enabled; 100%
		WRED-drop	Disabled; 100% low, 100% high

Feature (continued)		Default Value	
Standard receive queue 5 (intermediate priority)	Threshold 1	CoS	None
		DSCP	32, 34–38
		Tail-drop	Enabled; 100%
		WRED-drop	Disabled; 100% low, 100% high
	Threshold 2	CoS	None
		DSCP	None
		Tail-drop	Enabled; 100%
		WRED-drop	Disabled; 100% low, 100% high
Standard receive queue 6 (intermediate priority)	Threshold 1	CoS	None
		DSCP	48–63
		Tail-drop	Enabled; 100%
		WRED-drop	Disabled; 100% low, 100% high
	Threshold 2	CoS	None
		DSCP	None
		Tail-drop	Enabled; 100%
		WRED-drop	Disabled; 100% low, 100% high
Standard receive queue 7 (intermediate priority)	Threshold 1	CoS	None
		DSCP	None
		Tail-drop	Enabled; 100%
		WRED-drop	Disabled; 100% low, 100% high
	Threshold 2	CoS	None
		DSCP	None
		Tail-drop	Enabled; 100%
		WRED-drop	Disabled; 100% low, 100% high
Strict-priority transmit queue	CoS	5	
	DSCP	40 and 46	
	Tail-drop	100% (nonconfigurable)	

1p7q4t Transmit Queues

Feature		Default Value	
Standard transmit queue 1 (lowest priority)	Threshold 1	CoS	0 and 1
		DSCP	0–9, 11, 13, 15–17, 19, 21, 23, 25, 27, 29, 31, 33, 39, 41–45, 47
		Tail-drop	Disabled; 70%
		WRED-drop	Enabled; 40% low, 70% high
	Threshold 2	CoS	2 and 3
		DSCP	
		Tail-drop	Disabled; 100%
		WRED-drop	Enabled; 70% low, 100% high
	Threshold 3	CoS	4
		DSCP	
		Tail-drop	Disabled; 100%
		WRED-drop	Enabled; 70% low, 100% high
	Threshold 4	CoS	6 and 7
		DSCP	
		Tail-drop	Disabled; 100%
		WRED-drop	Enabled; 70% low, 100% high
Standard transmit queue 2 (intermediate priority)	Threshold 1	CoS	None
		DSCP	14
		Tail-drop	Disabled; 70%
		WRED-drop	Enabled; 40% low, 70% high
	Threshold 2	CoS	None
		DSCP	12
		Tail-drop	Disabled; 100%
		WRED-drop	Enabled; 70% low, 100% high
	Threshold 3	CoS	None
		DSCP	10
		Tail-drop	Disabled; 100%
		WRED-drop	Enabled; 70% low, 100% high
	Threshold 4	CoS	None
		DSCP	None
		Tail-drop	Disabled; 100%
		WRED-drop	Enabled; 70% low, 100% high

Feature (continued)			Default Value
Standard transmit queue 3 (intermediate priority)	Threshold 1	CoS	None
		DSCP	22
		Tail-drop	Disabled; 100%
		WRED-drop	Enabled; 70% low, 100% high
	Threshold 2	CoS	None
		DSCP	20
		Tail-drop	Disabled; 100%
		WRED-drop	Enabled; 70% low, 100% high
	Threshold 3	CoS	None
		DSCP	18
		Tail-drop	Disabled; 100%
		WRED-drop	Enabled; 70% low, 100% high
	Threshold 4	CoS	None
		DSCP	None
		Tail-drop	Disabled; 100%
		WRED-drop	Enabled; 70% low, 100% high
Standard transmit queue 4 (intermediate priority)	Threshold 1	CoS	None
		DSCP	24 and 30
		Tail-drop	Enabled; 100%
		WRED-drop	Disabled; 100% low, 100% high
	Threshold 2	CoS	None
		DSCP	28
		Tail-drop	Enabled; 100%
		WRED-drop	Disabled; 100% low, 100% high
	Threshold 3	CoS	None
		DSCP	26
		Tail-drop	Enabled; 100%
		WRED-drop	Disabled; 100% low, 100% high
	Threshold 4	CoS	None
		DSCP	None
		Tail-drop	Enabled; 100%
		WRED-drop	Disabled; 100% low, 100% high

Feature (continued)			Default Value
Standard transmit queue 5 (intermediate priority)	Threshold 1	CoS	None
		DSCP	32, 34–38
		Tail-drop	Enabled; 100%
		WRED-drop	Disabled; 100% low, 100% high
	Threshold 2	CoS	None
		DSCP	None
		Tail-drop	Enabled; 100%
		WRED-drop	Disabled; 100% low, 100% high
	Threshold 3	CoS	None
		DSCP	None
		Tail-drop	Enabled; 100%
		WRED-drop	Disabled; 100% low, 100% high
	Threshold 4	CoS	None
		DSCP	None
		Tail-drop	Enabled; 100%
		WRED-drop	Disabled; 100% low, 100% high
Standard transmit queue 6 (intermediate priority)	Threshold 1	CoS	None
		DSCP	48–63
		Tail-drop	Enabled; 100%
		WRED-drop	Disabled; 100% low, 100% high
	Threshold 2	CoS	None
		DSCP	None
		Tail-drop	Enabled; 100%
		WRED-drop	Disabled; 100% low, 100% high
	Threshold 3	CoS	None
		DSCP	None
		Tail-drop	Enabled; 100%
		WRED-drop	Disabled; 100% low, 100% high
	Threshold 4	CoS	None
		DSCP	None
		Tail-drop	Enabled; 100%
		WRED-drop	Disabled; 100% low, 100% high

Feature (continued)		Default Value	
Standard transmit queue 7 (intermediate priority)	Threshold 1	CoS	None
		DSCP	None
		Tail-drop	Enabled; 100%
		WRED-drop	Disabled; 100% low, 100% high
	Threshold 2	CoS	None
		DSCP	None
		Tail-drop	Enabled; 100%
		WRED-drop	Disabled; 100% low, 100% high
	Threshold 3	CoS	None
		DSCP	None
		Tail-drop	Enabled; 100%
		WRED-drop	Disabled; 100% low, 100% high
Threshold 4	CoS	None	
	DSCP	None	
	Tail-drop	Enabled; 100%	
	WRED-drop	Disabled; 100% low, 100% high	
Strict-priority transmit queue		CoS	5
		DSCP	40 and 46
		Tail-drop	100% (nonconfigurable)

1p7q8t Transmit Queues

Feature		Default Value	
Standard transmit queue 1 (lowest priority)	Threshold 1	CoS	0
		Tail-drop	Disabled; 70%
		WRED-drop	Enabled; 40% low, 70% high
	Threshold 2	CoS	1
		Tail-drop	Disabled; 100%
		WRED-drop	Enabled; 70% low, 100% high
	Thresholds 3–8	CoS	None
		Tail-drop	Disabled; 100%
		WRED-drop	Enabled; 70% low, 100% high

Feature (continued)			Default Value
Standard transmit queue 2 (intermediate priority)	Threshold 1	CoS	2
		Tail-drop	Disabled; 70%
		WRED-drop	Enabled; 40% low, 70% high
	Threshold 2	CoS	3 and 4
		Tail-drop	Disabled; 100%
		WRED-drop	Enabled; 70% low, 100% high
	Thresholds 3–8	CoS	None
		Tail-drop	Disabled; 100%
		WRED-drop	Enabled; 70% low, 100% high
Standard transmit queue 3 (intermediate priority)	Threshold 1	CoS	6 and 7
		Tail-drop	Disabled; 100%
		WRED-drop	Enabled; 70% low, 100% high
	Thresholds 2–8	CoS	None
		Tail-drop	Disabled; 100%
		WRED-drop	Enabled; 100% low, 100% high
Standard transmit queues 4–7 (intermediate priorities)	Thresholds 1–8	CoS	None
		Tail-drop	Disabled; 100%
		WRED-drop	Enabled; 100% low, 100% high
Strict-priority transmit queue		CoS	5
		Tail-drop	100% (nonconfigurable)

1p3q1t Transmit Queues

Feature			Default Value
Standard transmit queue 1 (lowest priority)	Threshold 1	CoS	0 and 1
		Tail-drop	Disabled; 100%
		WRED-drop	Enabled; 70% low, 100% high
Standard transmit queue 2 (medium priority)	Threshold 1	CoS	2, 3, and 4
		Tail-drop	Disabled; 100%
		WRED-drop	Enabled; 70% low, 100% high
Standard transmit queue 3 (high priority)	Threshold 1	CoS	6 and 7
		Tail-drop	Disabled; 100%
		WRED-drop	Enabled; 70% low, 100% high
Strict-priority transmit queue		CoS	5
		Tail-drop	100% (nonconfigurable)

1p2q1t Transmit Queues

Feature			Default Value
Standard transmit queue 1 (lowest priority)	Threshold 1	CoS	0, 1, 2, and 3
		Tail-drop	Not supported
		WRED-drop	Enabled; 70% low, 100% high
Standard transmit queue 3 (high priority)	Threshold 1	CoS	4, 6, and 7
		Tail-drop	Not supported
		WRED-drop	Enabled; 70% low, 100% high
Strict-priority transmit queue		CoS	5
		Tail-drop	100% (nonconfigurable)

Default Values with PFC QoS Disabled

Feature	Default Value
Ingress LAN port trust state	Trust DSCP.
Receive-queue drop-threshold percentages	All thresholds set to 100%.
Transmit-queue drop-threshold percentages	All thresholds set to 100%.
Transmit-queue bandwidth allocation ratio	255:1.
Transmit-queue size ratio	Low priority: 100% (other queues not used).
CoS value and drop threshold mapping	All QoS labels mapped to the low-priority queue.

PFC QoS Configuration Guidelines and Restrictions

When configuring PFC QoS, follow these guidelines and restrictions:

- [General Guidelines, page 43-53](#)
- [Class Map Command Restrictions, page 43-56](#)
- [Policy Map Command Restrictions, page 43-56](#)
- [Policy Map Class Command Restrictions, page 43-56](#)
- [Supported Granularity for CIR and PIR Rate Values, page 43-56](#)
- [Supported Granularity for CIR and PIR Token Bucket Sizes, page 43-57](#)
- [IP Precedence and DSCP Values, page 43-58](#)

General Guidelines

- PFC QoS cannot be applied to IGMP, MLD, or PIM traffic.
- Configure the same trust mode on all ports supported by an ASIC. Mismatched trust modes cause inconsistent bandwidth and queue-limit ratios.
- With a Supervisor Engine 720-10GE that is using 10G mode, only one port per-ASIC is available because the 1-Gigabit uplinks are shutdown, making the behavior similar to that of WS-X6708-10GE.
- When you configure a port on a Supervisor Engine 720-10GE as a member of the VSL, the **mls qos trust cos** command is automatically added to the port configuration.
- The **match ip precedence** and **match ip dscp** commands filter only IPv4 traffic.
- The **match precedence** and **match dscp** commands filter IPv4 and IPv6 traffic.
- The **set ip dscp** and **set ip precedence** commands are saved in the configuration file as **set dscp** and **set precedence** commands.
- PFC QoS supports the **set dscp** and **set precedence** policy map class commands for IPv4 and IPv6 traffic.
- The flowmask requirements of QoS, NetFlow, and NetFlow data export (NDE) might conflict, especially if you configure microflow policing.
- With egress ACL support for remarked DSCP and VACL capture both configured on an interface, VACL capture might capture two copies of each packet, and the second copy might be corrupt.
- You cannot configure egress ACL support for remarked DSCP on tunnel interfaces.
- Egress ACL support for remarked DSCP supports IP unicast traffic.
- Egress ACL support for remarked DSCP is not relevant to multicast traffic. PFC QoS applies ingress QoS changes to multicast traffic before applying [egress QoS](#).
- NetFlow and NetFlow data export (NDE) do not support interfaces where egress ACL support for remarked DSCP is configured.
- When egress ACL support for remarked DSCP is configured on any interface, you must configure an interface-specific flowmask to enable NetFlow and NDE support on interfaces where egress ACL support for remarked DSCP is not configured. Enter either the **mls flow ip interface-destination-source** or the **mls flow ip interface-full** global configuration mode command.
- Interface counters are not accurate on interfaces where egress ACL support for remarked DSCP is configured.
- You cannot apply microflow policing to IPv6 multicast traffic.
- You cannot apply microflow policing to traffic that has been permitted by egress ACL support for remarked DSCP.
- Traffic that has been permitted by egress ACL support for remarked DSCP cannot be tagged as MPLS traffic. (The traffic can be tagged as MPLS traffic on another network device.)
- When you apply both ingress policing and egress policing to the same traffic, both the input policy and the output policy must either mark down traffic or drop traffic. PFC QoS does not support ingress markdown with egress drop or ingress drop with egress markdown. (CSCea23571)
- If traffic is both aggregate and microflow policed, then the aggregate and microflow policers must both be in the same policy-map class and each must use the same **conform-action** and **exceed-action** keyword option: **drop**, **set-dscp-transmit**, **set-prec-transmit**, or **transmit**.

- You cannot configure PFC QoS features on tunnel interfaces.
- PFC QoS does not rewrite the payload ToS byte in tunnel traffic.
- PFC QoS filters only by ACLs, dscp values, or IP precedence values.
- For these commands, PFC QoS applies identical configuration to all LAN ports controlled by the same application-specific integrated circuit (ASIC):
 - **rcv-queue random-detect**
 - **rcv-queue queue-limit**
 - **wrr-queue queue-limit**
 - **wrr-queue bandwidth** (except Gigabit Ethernet LAN ports)
 - **priority-queue cos-map**
 - **rcv-queue cos-map**
 - **wrr-queue cos-map**
 - **wrr-queue threshold**
 - **rcv-queue threshold**
 - **wrr-queue random-detect**
 - **wrr-queue random-detect min-threshold**
 - **wrr-queue random-detect max-threshold**
- Configure these commands only on physical ports. Do not configure these commands on logical interfaces:
 - **priority-queue cos-map**
 - **wrr-queue cos-map**
 - **wrr-queue random-detect**
 - **wrr-queue random-detect max-threshold**
 - **wrr-queue random-detect min-threshold**
 - **wrr-queue threshold**
 - **wrr-queue queue-limit**
 - **wrr-queue bandwidth**
 - **rcv-queue cos-map**
 - **rcv-queue bandwidth**
 - **rcv-queue random-detect**
 - **rcv-queue random-detect max-threshold**
 - **rcv-queue random-detect min-threshold**
 - **rcv-queue queue-limit**
 - **rcv-queue cos-map**
 - **rcv-queue threshold**

**Note**

IP multicast switching using egress packet replication is not compatible with QoS. In some cases, egress replication can result in the incorrect COS or DSCP marking of packets. If you are using QoS and your switching modules are capable of egress replication, enter the **mls ip multicast replication-mode ingress** command to force ingress replication.

- All versions of the PFC3 support QoS for IPv6 unicast and multicast traffic.
- To display information about IPv6 PFC QoS, enter the **show mls qos ipv6** command.
- The QoS features implemented in the port ASICs (queue architecture and dequeuing algorithms) support IPv4 and IPv6 traffic.
- The PFC3 supports IPv6 named extended ACLs and named standard ACLs.
- The PFC3 supports the **match protocol ipv6** command.
- Because of conflicting TCAM lookup flow key bit requirements, you cannot configure IPv6 DSCP-based filtering and IPv6 Layer 4 range-based filtering on the same interface. For example:
 - If you configure both a DSCP value and a Layer 4 “greater than” (gt) or “less than” (lt) operator in an IPv6 ACE, you cannot use the ACL for PFC QoS filtering.
 - If you configure a DSCP value in one IPv6 ACL and a Layer 4 “greater than” (gt) or “less than” (lt) operator in another IPv6 ACL, you cannot use both ACLs in different class maps on the same interface for PFC QoS filtering.
- You can apply aggregate and microflow policers to IPv6 traffic, but you cannot apply microflow policing to IPv6 multicast traffic.
- With egress ACL support for remarked DSCP configured, the PFC3 does not provide hardware-assistance for these features:
 - Cisco IOS reflexive ACLs
 - TCP intercept
 - Network Address Translation (NAT)
- You cannot apply microflow policing to ARP traffic.
- The PFC3 does not apply egress policing to traffic that is being bridged to the RP.
- The PFC3 does not apply egress policing or egress DSCP mutation to multicast traffic from the RP.
- With a PFC3A, PFC QoS does not rewrite the ToS byte in bridged multicast traffic.
- The PFC3 supports up to 1023 configurable aggregate policers, but some PFC QoS commands other than the **police** command will be included in this count. By default, any policy using a **set** or **trust** command will be included in the aggregate policer count. You can disable the addition of the **set** or **trust** commands to the aggregate policer count by entering the **no mls qos marking statistics** command, but you will then be unable to collect statistics for the classmaps associated with these commands. You can view the aggregate policer count in the QoS Policer Resources section of the output of the **show platform hardware capacity qos** command.

Class Map Command Restrictions

- PFC QoS supports the **match any** class map command.
- PFC QoS supports class maps that contain a *single* **match** command.
- PFC QoS does not support these class map commands:
 - **match cos**
 - **match classmap**
 - **match destination-address**
 - **match input-interface**
 - **match qos-group**
 - **match source-address**

Policy Map Command Restrictions

PFC QoS does not support these policy map commands:

- **class *class_name* destination-address**
- **class *class_name* input-interface**
- **class *class_name* protocol**
- **class *class_name* qos-group**
- **class *class_name* source-address**

Policy Map Class Command Restrictions

PFC QoS does not support these policy map class commands:

- **bandwidth**
- **priority**
- **queue-limit**
- **random-detect**
- **set qos-group**
- **service-policy**

Supported Granularity for CIR and PIR Rate Values

PFC QoS has the following hardware granularity for CIR and PIR rate values:

CIR and PIR Rate Value Range	Granularity
32768 to 2097152 (2 Mbs)	32768 (32 Kb)
2097153 to 4194304 (4 Mbs)	65536 (64 Kb)
4194305 to 8388608 (8 Mbs)	131072 (128 Kb)

CIR and PIR Rate Value Range	Granularity
8388609 to 16777216 (16 Mbs)	262144 (256 Kb)
16777217 to 33554432 (32 Mbs)	524288 (512 Kb)
33554433 to 67108864 (64 Mbs)	1048576 (1 Mb)
67108865 to 134217728 (128 Mbs)	2097152 (2 Mb)
134217729 to 268435456 (256 Mbs)	4194304 (4 Mb)
268435457 to 536870912 (512 Mbs)	8388608 (8 Mb)
536870913 to 1073741824 (1 Gbs)	16777216 (16 Mb)
1073741825 to 2147483648 (2 Gbs)	33554432 (32 Mb)
2147483649 to 4294967296 (4 Gbs)	67108864 (64 Mb)
4294967297 to 8589934592 (8 Gbs)	134217728 (128 Mb)
8589934593 to 17179869184 (16 Gbs)	268435456 (256 Mb)
17179869185 to 34359738368 (32 Gbs)	536870912 (512 Mb)
34359738369 to 68719476736 (64 Gbs)	1073741824 (1024 Mb)

Within each range, PFC QoS programs the PFC with rate values that are multiples of the granularity values.

Supported Granularity for CIR and PIR Token Bucket Sizes

PFC QoS has the following hardware granularity for CIR and PIR token bucket (burst) sizes:

CIR and PIR Token Bucket Size Range	Granularity
1 to 32768 (32 KB)	1024 (1 KB)
32769 to 65536 (64 KB)	2048 (2 KB)
65537 to 131072 (128 KB)	4096 (4 KB)
131073 to 262144 (256 KB)	8196 (8 KB)
262145 to 524288 (512 KB)	16392 (16 KB)
524289 to 1048576 (1 MB)	32768 (32 KB)
1048577 to 2097152 (2 MB)	65536 (64 KB)
2097153 to 4194304 (4 MB)	131072 (128 KB)
4194305 to 8388608 (8 MB)	262144 (256 KB)
8388609 to 16777216 (16 MB)	524288 (512 KB)
16777217 to 33554432 (32 MB)	1048576 (1 MB)

Within each range, PFC QoS programs the PFC with token bucket sizes that are multiples of the granularity values.

IP Precedence and DSCP Values

3-bit IP Precedence	6 MSb ¹ of ToS						6-bit DSCP
	8	7	6	5	4	3	
0	0	0	0	0	0	0	0
	0	0	0	0	0	1	1
	0	0	0	0	1	0	2
	0	0	0	0	1	1	3
	0	0	0	1	0	0	4
	0	0	0	1	0	1	5
	0	0	0	1	1	0	6
	0	0	0	1	1	1	7
1	0	0	1	0	0	0	8
	0	0	1	0	0	1	9
	0	0	1	0	1	0	10
	0	0	1	0	1	1	11
	0	0	1	1	0	0	12
	0	0	1	1	0	1	13
	0	0	1	1	1	0	14
	0	0	1	1	1	1	15
2	0	1	0	0	0	0	16
	0	1	0	0	0	1	17
	0	1	0	0	1	0	18
	0	1	0	0	1	1	19
	0	1	0	1	0	0	20
	0	1	0	1	0	1	21
	0	1	0	1	1	0	22
	0	1	0	1	1	1	23
3	0	1	1	0	0	0	24
	0	1	1	0	0	1	25
	0	1	1	0	1	0	26
	0	1	1	0	1	1	27
	0	1	1	1	0	0	28
	0	1	1	1	0	1	29
	0	1	1	1	1	0	30
	0	1	1	1	1	1	31

3-bit IP Precedence	6 MSb ¹ of ToS						6-bit DSCP
	8	7	6	5	4	3	
4	1	0	0	0	0	0	32
	1	0	0	0	0	1	33
	1	0	0	0	1	0	34
	1	0	0	0	1	1	35
	1	0	0	1	0	0	36
	1	0	0	1	0	1	37
	1	0	0	1	1	0	38
	1	0	0	1	1	1	39
	5	1	0	1	0	0	0
1		0	1	0	0	1	41
1		0	1	0	1	0	42
1		0	1	0	1	1	43
1		0	1	1	0	0	44
1		0	1	1	0	1	45
1		0	1	1	1	0	46
1		0	1	1	1	1	47
6	1	1	0	0	0	0	48
	1	1	0	0	0	1	49
	1	1	0	0	1	0	50
	1	1	0	0	1	1	51
	1	1	0	1	0	0	52
	1	1	0	1	0	1	53
	1	1	0	1	1	0	54
	1	1	0	1	1	1	55
7	1	1	1	0	0	0	56
	1	1	1	0	0	1	57
	1	1	1	0	1	0	58
	1	1	1	0	1	1	59
	1	1	1	1	0	0	60
	1	1	1	1	0	1	61
	1	1	1	1	1	0	62
	1	1	1	1	1	1	63

1. MSb = most significant bit

Configuring PFC QoS

These sections describe how to configure PFC QoS in Cisco IOS Release 12.2SX:

- [Enabling PFC QoS Globally, page 43-59](#)
- [Enabling Ignore Port Trust, page 43-60](#)
- [Configuring DSCP Transparency, page 43-61](#)
- [Enabling Queueing-Only Mode, page 43-61](#)

- [Enabling Microflow Policing of Bridged Traffic](#), page 43-62
- [Enabling VLAN-Based PFC QoS on Layer 2 LAN Ports](#), page 43-63
- [Enabling Egress ACL Support for Remarked DSCP](#), page 43-63
- [Creating Named Aggregate Policers](#), page 43-64
- [Configuring a PFC QoS Policy](#), page 43-67
- [Configuring Egress DSCP Mutation](#), page 43-84
- [Configuring Ingress CoS Mutation on IEEE 802.1Q Tunnel Ports](#), page 43-86
- [Configuring DSCP Value Maps](#), page 43-88
- [Configuring the Trust State of Ethernet LAN Ports](#), page 43-92
- [Configuring Trusted Boundary with Cisco Device Verification](#), page 43-93
- [Configuring the Ingress LAN Port CoS Value](#), page 43-94
- [Configuring Standard-Queue Drop Threshold Percentages](#), page 43-95
- [Mapping QoS Labels to Queues and Drop Thresholds](#), page 43-100
- [Allocating Bandwidth Between Standard Transmit Queues](#), page 43-109
- [Setting the Receive-Queue Size Ratio](#), page 43-111
- [Configuring the Transmit-Queue Size Ratio](#), page 43-112

**Note**

PFC QoS processes both unicast and multicast traffic.

Enabling PFC QoS Globally

To enable PFC QoS globally, perform this task:

	Command	Purpose
Step 1	Router(config)# mls qos	Enables PFC QoS globally on the switch.
Step 2	Router(config)# end	Exits configuration mode.
Step 3	Router# show mls qos [ipv6]	Verifies the configuration.

This example shows how to enable PFC QoS globally:

```
Router# configure terminal
Router(config)# mls qos
Router(config)# end
Router#
```

This example shows how to verify the configuration:

```
Router# show mls qos
  QoS is enabled globally
  Microflow QoS is enabled globally

QoS global counters:
  Total packets: 544393
  IP shortcut packets: 1410
  Packets dropped by policing: 0
```

```

IP packets with TOS changed by policing: 467
IP packets with COS changed by policing: 59998
Non-IP packets with COS changed by policing: 0

```

```
Router#
```

Enabling Ignore Port Trust

The ignore port trust feature allows an ingress policy to apply a configured IP precedence or DSCP value to any traffic, rather than only to untrusted traffic.

To enable ignore port trust, perform this task:

	Command	Purpose
Step 1	Router(config)# mls qos marking ignore port-trust	Enables ignore port trust globally on the switch.
Step 2	Router(config)# end	Exits configuration mode.
Step 3	Router# show mls qos include ignores	Verifies the configuration.



Note

For untrusted traffic, when ignore port trust is enabled, PFC QoS does the following:

- For IP traffic, PFC QoS uses the received DSCP value as the initial internal DSCP value.
- For traffic without a recognizable ToS byte, PFC QoS maps the port CoS value to the initial internal DSCP value.

This example shows how to enable ignore port trust and verify the configuration:

```

Router# configure terminal
Router(config)# mls qos marking ignore port-trust
Router(config)# end
Router# show mls qos | include ignores
    Policy marking ignores port_trust
Router#

```

Configuring DSCP Transparency



Note

- In addition to support for other IP traffic, PFC3C and PFC3CXL mode support the **no mls qos rewrite ip dscp** command for these traffic types:
 - MPLS traffic
 - Traffic in IP in IP tunnels
 - Traffic in GRE tunnels
- In addition to support for other IP traffic, PFC3B and PFC3BXL mode support the **no mls qos rewrite ip dscp** command for these traffic types:
 - Except on PE routers, MPLS traffic
 - Traffic in IP in IP tunnels
 - Traffic in GRE tunnels
- PFC3A mode does not support the **no mls qos rewrite ip dscp** command for MPLS traffic, traffic in IP in IP tunnels, and traffic in GRE tunnels.

To enable DSCP transparency, which preserves the received Layer 3 ToS byte, perform this task:

	Command	Purpose
Step 1	Router(config)# no mls qos rewrite ip dscp	Disables egress ToS byte rewrite globally on the switch.
Step 2	Router(config)# end	Exits configuration mode.
Step 3	Router# show mls qos include rewrite	Verifies the configuration.

When you preserve the received Layer 3 ToS byte, QoS uses the marked or marked-down CoS value for egress queueing and in egress tagged traffic.

This example shows how to preserve the received Layer 3 ToS byte and verify the configuration:

```
Router# configure terminal
Router(config)# no mls qos rewrite ip dscp
Router(config)# end
Router# show mls qos | include rewrite
    QoS ip packet dscp rewrite disabled globally
Router#
```

Enabling Queueing-Only Mode

To enable queueing-only mode on the switch, perform this task:

	Command	Purpose
Step 1	Router(config)# mls qos queueing-only	Enables queueing-only mode on the switch.
Step 2	Router(config)# end	Exits configuration mode.
Step 3	Router# show mls qos	Verifies the configuration.

When you enable queueing-only mode, the switch does the following:

- Disables marking and policing globally
- Configures all ports to trust Layer 2 CoS



Note The switch applies the port CoS value to untagged ingress traffic and to traffic that is received through ports that cannot be configured to trust CoS.

This example shows how to enable queueing-only mode:

```
Router# configure terminal
Router(config)# mls qos queueing-only
Router(config)# end
Router#
```

Enabling Microflow Policing of Bridged Traffic

By default, microflow policers affect only routed traffic. To enable microflow policing of bridged traffic on specified VLANs, perform this task:

	Command	Purpose
Step 1	Router(config)# interface {{vlan vlan_ID} {type ¹ slot/port}}	Selects the interface to configure.
Step 2	Router(config-if)# mls qos bridged	Enables microflow policing of bridged traffic, including bridge groups, on the VLAN.
Step 3	Router(config-if)# end	Exits configuration mode.
Step 4	Router# show mls qos	Verifies the configuration.

1. *type* = fastethernet, gigabitethernet, or tengigabitethernet

This example shows how to enable microflow policing of bridged traffic on VLANs 3 through 5:

```
Router# configure terminal
Enter configuration commands, one per line. End with CNTL/Z.
Router(config)# interface range vlan 3 - 5
Router(config-if)# mls qos bridged
Router(config-if)# end
Router#
```

This example shows how to verify the configuration:

```
Router# show mls qos | begin Bridged QoS
Bridged QoS is enabled on the following interfaces:
  V13 V14 V15
<...output truncated...>
Router#
```

Enabling VLAN-Based PFC QoS on Layer 2 LAN Ports



Note

You can attach policy maps to Layer 3 interfaces for application of PFC QoS to egress traffic. VLAN-based or port-based PFC QoS on Layer 2 ports is not relevant to application of PFC QoS to egress traffic on Layer 3 interfaces.

By default, PFC QoS uses policy maps attached to LAN ports. For ports configured as Layer 2 LAN ports with the **switchport** keyword, you can configure PFC QoS to use policy maps attached to a VLAN. Ports not configured with the **switchport** keyword are not associated with a VLAN.

To enable VLAN-based PFC QoS on a Layer 2 LAN port, perform this task:

	Command	Purpose
Step 1	Router(config)# interface {{type ¹ slot/port} {port-channel number}}	Selects the interface to configure.
Step 2	Router(config-if)# mls qos vlan-based	Enables VLAN-based PFC QoS on a Layer 2 LAN port or a Layer 2 EtherChannel.
Step 3	Router(config-if)# end	Exits configuration mode.
Step 4	Router# show mls qos	Verifies the configuration.

1. *type* = fastethernet, gigabitethernet, or tengigabitethernet

This example shows how to enable VLAN-based PFC QoS on Fast Ethernet port 5/42:

```
Router# configure terminal
Enter configuration commands, one per line. End with CNTL/Z.
Router(config)# interface fastethernet 5/42
Router(config-if)# mls qos vlan-based
Router(config-if)# end
```

This example shows how to verify the configuration:

```
Router# show mls qos | begin QoS is vlan-based
QoS is vlan-based on the following interfaces:
Fa5/42
<...Output Truncated...>
```



Note

Configuring a Layer 2 LAN port for VLAN-based PFC QoS preserves the policy map port configuration. The **no mls qos vlan-based** port command reenables any previously configured port commands.

Enabling Egress ACL Support for Remarked DSCP

To enable egress ACL support for remarked DSCP on an ingress interface, perform this task:

	Command	Purpose
Step 1	Router(config)# interface {{vlan vlan_ID} {type ¹ slot/port} {port-channel number}}	Selects the ingress interface to configure.
Step 2	Router(config-if)# platform ip features sequential [access-group IP_acl_name_or_number]	Enables egress ACL support for remarked DSCP on the ingress interface.

	Command	Purpose
Step 3	Router(config-if)# end	Exits configuration mode.
Step 4	Router# show running-config interface (<i>{type¹ slot/port}</i> <i>{port-channel number}</i>)	Verifies the configuration.

1. *type* = fastethernet, gigabitethernet, or tengigabitethernet

When configuring egress ACL support for remarked DSCP on an ingress interface, note the following information:

- To enable egress ACL support for remarked DSCP only for the traffic filtered by a specific standard, extended named, or extended numbered IP ACL, enter the IP ACL name or number.
- If you do not enter an IP ACL name or number, egress ACL support for remarked DSCP is enabled for all IP ingress IP traffic on the interface.

This example shows how to enable egress ACL support for remarked DSCP on Fast Ethernet port 5/36:

```
Router# configure terminal
Enter configuration commands, one per line. End with CNTL/Z.
Router(config)# interface fastethernet 5/36
Router(config-if)# platform ip features sequential
Router(config-if)# end
```

Creating Named Aggregate Policers

To create a named aggregate policer, perform this task:

Command	Purpose
Router(config)# mls qos aggregate-policer <i>policer_name bits_per_second normal_burst_bytes</i> <i>[maximum_burst_bytes] [pir peak_rate_bps]</i> [[conform-action { drop set-dscp-transmit ¹ <i>dscp_value</i> set-prec-transmit ¹ <i>ip_precedence_value</i> transmit }] exceed-action { drop policed-dscp transmit }] violate-action { drop policed-dscp transmit }]	Creates a named aggregate policer.

1. The **set-dscp-transmit** and **set-prec-transmit** keywords are only supported for IP traffic.

When creating a named aggregate policer, note the following information:

- Aggregate policing works independently on each DFC-equipped switching module and independently on the PFC, which supports any non-DFC-equipped switching modules. Aggregate policing does not combine flow statistics from different DFC-equipped switching modules. You can display aggregate policing statistics for each DFC-equipped switching module and for the PFC and any non-DFC-equipped switching modules supported by the PFC.
- Each PFC or DFC polices independently, which might affect QoS features being applied to traffic that is distributed across the PFC and any DFCs. Examples of these QoS feature are:
 - Policers applied to a port channel interface.
 - Policers applied to a switched virtual interface.
 - Egress policers applied to either a Layer 3 interface or an SVI. Note that PFC QoS performs egress policing decisions at the ingress interface, on the PFC or ingress DFC.

Policers affected by this restriction deliver an aggregate rate that is the sum of all the independent policing rates.

- You can apply aggregate policers to IPv6 traffic.
- Policing uses the Layer 2 frame size.
- See the “PFC QoS Configuration Guidelines and Restrictions” section on page 43-52 for information about rate and burst size granularity.
- The valid range of values for the CIR *bits_per_second* parameter is as follows:
 - Minimum—32 kilobits per second, entered as 32000
 - Maximum with Release 12.2(33)SXH1 and earlier—10 gigabits per second, entered as 10000000000
 - Maximum with Release 12.2(33)SXH2 and later—64 gigabits per second, entered as 64000000000
- The *normal_burst_bytes* parameter sets the CIR token bucket size.
- The *maximum_burst_bytes* parameter sets the PIR token bucket size.
- When configuring the size of a token bucket, note the following information:
 - Because the token bucket must be large enough to hold at least one frame, configure the token bucket size to be larger than the maximum size of the traffic being policed.
 - For TCP traffic, configure the token bucket size as a multiple of the TCP window size, with a minimum value at least twice as large as the maximum size of the traffic being policed.
 - The *maximum_burst_bytes* parameter must be set larger than the *normal_burst_bytes* parameter
 - To sustain a specific rate, set the token bucket size to be at least the rate value divided by 2000.



Note To provide compatibility with QoS as implemented in the Catalyst operating system, Release 12.2(33)SXI and later releases support 1 byte as the minimum token bucket size, entered as 1.

- With Release 12.2(33)SXI and later releases, the minimum token bucket size is 1 byte, entered as 1.
- With releases earlier than Release 12.2(33)SXI, the minimum token bucket size is 1000 bytes, entered as 1000.
- The maximum token bucket size is 512 megabytes, entered as 512000000.
- The valid range of values for the **pir** *bits_per_second* parameter is as follows:
 - Minimum—32 kilobits per second, entered as 32000 (the value cannot be smaller than the CIR *bits_per_second* parameters)
 - Maximum with Release 12.2(33)SXH1 and earlier—10 gigabits per second, entered as 10000000000
 - Maximum with Release 12.2(33)SXH2 and later—64 gigabits per second, entered as 64000000000
- (Optional) You can specify a conform action for matched in-profile traffic as follows:
 - The default conform action is **transmit**, which sets the policy map class trust state to *trust DSCP* unless the policy map class contains a **trust** command.

- To set PFC QoS labels in untrusted traffic, enter the **set-dscp-transmit** keyword to mark matched untrusted traffic with a new DSCP value or enter the **set-prec-transmit** keyword to mark matched untrusted traffic with a new IP precedence value. The **set-dscp-transmit** and **set-prec-transmit** keywords are only supported for IP traffic. PFC QoS sets egress ToS and CoS from the configured value.
- Enter the **drop** keyword to drop all matched traffic.



Note When you configure **drop** as the conform action, PFC QoS configures **drop** as the exceed action and the violate action.

- (Optional) For traffic that exceeds the CIR, you can specify an exceed action as follows:
 - The default exceed action is **drop**, except with a *maximum_burst_bytes* parameter (**drop** is not supported with a *maximum_burst_bytes* parameter).



Note When the exceed action is **drop**, PFC QoS ignores any configured violate action.

- Enter the **policed-dscp-transmit** keyword to cause all matched out-of-profile traffic to be marked down as specified in the markdown map.



Note When you create a policer that does not use the **pir** keyword and the *maximum_burst_bytes* parameter is equal to the *normal_burst_bytes* parameter (which is the case if you do not enter the *maximum_burst_bytes* parameter), the **exceed-action policed-dscp-transmit** keywords cause PFC QoS to mark traffic down as defined by the **policed-dscp max-burst** markdown map.

- (Optional) For traffic that exceeds the PIR, you can specify a violate action as follows:
 - To mark traffic without policing, enter the **transmit** keyword to transmit all matched out-of-profile traffic.
 - The default violate action is equal to the exceed action.
 - Enter the **policed-dscp-transmit** keyword to cause all matched out-of-profile traffic to be marked down as specified in the markdown map.
 - For marking without policing, enter the **transmit** keyword to transmit all matched out-of-profile traffic.



Note

When you apply both ingress policing and egress policing to the same traffic, both the input policy and the output policy must either mark down traffic or drop traffic. PFC QoS does not support ingress markdown with egress drop or ingress drop with egress markdown.

This example shows how to create a named aggregate policer with a 1-Mbps rate limit and a 10-MB burst size that transmits conforming traffic and marks down out-of-profile traffic:

```
Router(config)# mls qos aggregate-policer aggr-1 1000000 10000000 conform-action transmit
exceed-action policed-dscp-transmit
Router(config)# end
Router#
```

This example shows how to verify the configuration:

```
Router# show mls qos aggregate-policer aggr-1
ag1 1000000 1000000 conform-action transmit exceed-action policed-dscp-transmit AgId=0
[pol4]
Router#
```

The output displays the following:

- The **AgId** parameter displays the hardware policer ID.
- The policy maps that use the policer are listed in the square brackets ([]).

Configuring a PFC QoS Policy

These sections describe PFC QoS policy configuration:

- [PFC QoS Policy Configuration Overview, page 43-67](#)
- [Configuring MAC ACLs, page 43-68](#)
- [Configuring ARP ACLs for QoS Filtering, page 43-72](#)
- [Configuring a Class Map, page 43-72](#)
- [Verifying Class Map Configuration, page 43-74](#)
- [Configuring a Policy Map, page 43-75](#)
- [Verifying Policy Map Configuration, page 43-81](#)
- [Attaching a Policy Map to an Interface, page 43-81](#)
- [Configuring Dynamic Per-Session Attachment of a Policy Map, page 43-83](#)



Note

PFC QoS policies process both unicast and multicast traffic.

PFC QoS Policy Configuration Overview



Note

To mark traffic without limiting bandwidth utilization, create a policer that uses the **transmit** keywords for both conforming and nonconforming traffic.

These commands configure traffic classes and the policies to be applied to those traffic classes and attach the policies to ports:

- **access-list** (Optional for IP traffic. You can filter IP traffic with **class-map** commands.):
 - PFC QoS supports these ACL types:

Protocol	Numbered ACLs	Extended ACLs	Named ACLs
IPv4	Yes: 1 to 99 1300 to 1999	Yes: 100 to 199 2000 to 2699	Yes
IPv6	—	Yes (named)	Yes

Protocol	Numbered ACLs	Extended ACLs	Named ACLs
MAC Layer	No	No	Yes
ARP	No	No	Yes

- The PFC3 supports IPv6 named extended ACLs and named standard ACLs.
- The PFC3 supports ARP ACLs.



Note —The PFC3 does not apply IP ACLs to ARP traffic.
—You cannot apply microflow policing to ARP traffic.

- The PFC3 does not support IPX ACLs. With the PFC3, you can configure MAC ACLs to filter IPX traffic.
- PFC QoS supports time-based Cisco IOS ACLs.
- Except for MAC ACLs and ARP ACLs, see the *Cisco IOS Security Configuration Guide*, Release 12.2, “Traffic Filtering and Firewalls,” at this URL:
http://www.cisco.com/en/US/docs/ios/12_2/security/configuration/guide/scfacts.html
- See [Chapter 47, “Configuring Network Security,”](#) for additional information about ACLs in Cisco IOS Release 12.2SX.
- **class-map** (optional)—Enter the **class-map** command to define one or more traffic classes by specifying the criteria by which traffic is classified.
- **policy-map**—Enter the **policy-map** command to define the following:
 - Policy map class trust mode
 - Aggregate policing and marking
 - Microflow policing and marking
- **service-policy**—Enter the **service-policy** command to attach a policy map to an interface.

Configuring MAC ACLs

These sections describe MAC ACL configuration:

- [Configuring Protocol-Independent MAC ACL Filtering](#), page 43-68
- [Enabling VLAN-Based MAC QoS Filtering](#), page 43-70
- [Configuring MAC ACLs](#), page 43-70



Note You can use MAC ACLs with VLAN ACLs (VACLs). For more information, see [Chapter 51, “Configuring Port ACLs and VLAN ACLs.”](#)

Configuring Protocol-Independent MAC ACL Filtering



Note PFC3A mode does not support protocol-independent MAC ACL filtering.

Protocol-independent MAC ACL filtering applies MAC ACLs to all ingress traffic types (for example, IPv4 traffic, IPv6 traffic, and MPLS traffic, in addition to MAC-layer traffic).

You can configure these interface types for protocol-independent MAC ACL filtering:

- VLAN interfaces without IP addresses
- Physical LAN ports configured to support EoMPLS
- Logical LAN subinterfaces configured to support EoMPLS

Ingress traffic permitted or denied by a MAC ACL on an interface configured for protocol-independent MAC ACL filtering is processed by egress interfaces as MAC-layer traffic. You cannot apply egress IP ACLs to traffic that was permitted or denied by a MAC ACL on an interface configured for protocol-independent MAC ACL filtering.

To configure protocol-independent MAC ACL filtering, perform this task:

	Command	Purpose
Step 1	Router(config)# interface {{vlan vlan_ID} {type ¹ slot/port[.subinterface]} {port-channel number[.subinterface]}}	Selects the interface to configure.
Step 2	Router(config-if)# mac packet-classify	Enables protocol-independent MAC ACL filtering on the interface.

1. *type* = **fastethernet**, **gigabitethernet**, or **tengigabitethernet**

When configuring protocol-independent MAC ACL filtering, note the following information:

- Do not configure protocol-independent MAC ACL filtering on VLAN interfaces where you have configured an IP address.
- Do not configure protocol-independent MAC ACL filtering with microflow policing when the permitted traffic would be bridged or Layer 3 switched in hardware by the PFC.
- Protocol-independent MAC ACL filtering supports microflow policing when the permitted traffic is routed in software by the RP.

This example shows how to configure VLAN interface 4018 for protocol-independent MAC ACL filtering and how to verify the configuration:

```
Router(config)# interface vlan 4018
Router(config-if)# mac packet-classify
Router(config-if)# end
Router# show running-config interface vlan 4018 | begin 4018
interface Vlan4018
mtu 9216
ipv6 enable
mac packet-classify
end
```

This example shows how to configure Gigabit Ethernet interface 6/1 for protocol-independent MAC ACL filtering and how to verify the configuration:

```
Router(config)# interface gigabitethernet 6/1
Router(config-if)# mac packet-classify
Router(config-if)# end
Router# show running-config interface gigabitethernet 6/1 | begin 6/1
interface GigabitEthernet6/1
mtu 9216
no ip address
mac packet-classify
```

```
mpls l2transport route 4.4.4.4 4094
end
```

This example shows how to configure Gigabit Ethernet interface 3/24, subinterface 4000, for protocol-independent MAC ACL filtering and how to verify the configuration:

```
Router(config)# interface gigabitethernet 3/24.4000
Router(config-if)# mac packet-classify
Router(config-if)# end
Router# show running-config interface gigabitethernet 3/24.4000 | begin 3/24.4000
interface GigabitEthernet3/24.4000
encapsulation dot1Q 4000
mac packet-classify
mpls l2transport route 4.4.4.4 4000
end
```

Enabling VLAN-Based MAC QoS Filtering

You can globally enable or disable VLAN-based QoS filtering in MAC ACLs. VLAN-based QoS filtering in MAC ACLs is disabled by default.

To enable VLAN-based QoS filtering in MAC ACLs, perform this task:

Command	Purpose
Router(config)# mac packet-classify use vlan	Enables VLAN-based QoS filtering in MAC ACLs.

To disable VLAN-based QoS filtering in MAC ACLs, perform this task:

Command	Purpose
Router(config)# no mac packet-classify use vlan	Disables VLAN-based QoS filtering in MAC ACLs.

Configuring MAC ACLs

You can configure named ACLs that filter IPX, DECnet, AppleTalk, VINES, or XNS traffic based on MAC addresses.

You can configure MAC ACLs that do VLAN-based filtering or CoS-based filtering or both.

You can globally enable or disable VLAN-based QoS filtering in MAC ACLs (disabled by default).

To configure a MAC ACL, perform this task:

	Command	Purpose
Step 1	Router(config)# mac host <i>name mac_addr</i>	(Optional) Assigns a name to a MAC address.
Step 2	Router(config)# mac access-list extended <i>list_name</i>	Configures a MAC ACL.
Step 3	Router(config-ext-macl)# {permit deny} <i>{src_mac_mask {host name src_mac_name} any}</i> <i>{dest_mac_mask {host name dst_mac_name} any}</i> <i>[[protocol_keyword {ethertype_number</i> <i>ethertype_mask}] [vlan vlan_ID] [cos cos_value]]</i>	Configures an access control entry (ACE) in a MAC ACL. The source and destination MAC addresses can be specified by MAC address masks or by names created with the mac host command.

When configuring an entry in a MAC-Layer ACL, note the following information:

- The PFC3 supports the **ipx-arpa** and **ipx-non-arpa** keywords.
- Cisco IOS Release 12.2SX supports the **vlan** and **cos** keywords.
- The **vlan** and **cos** keywords are not supported in MAC ACLs used for VACL filtering.
- The **vlan** keyword for VLAN-based QoS filtering in MAC ACLs can be globally enabled or disabled and is disabled by default.
- You can enter MAC addresses as three 2-byte values in dotted hexadecimal format. For example, 0030.9629.9f84.
- You can enter MAC address masks as three 2-byte values in dotted hexadecimal format. Use 1 bits as wildcards. For example, to match an address exactly, use 0000.0000.0000 (can be entered as 0.0.0).
- You can enter an EtherType and an EtherType mask as hexadecimal values.
- Entries without a protocol parameter match any protocol.
- ACL entries are scanned in the order you enter them. The first matching entry is used. To improve performance, place the most commonly used entries near the beginning of the ACL.
- An implicit **deny any any** entry exists at the end of an ACL unless you include an explicit **permit any any** entry at the end of the list.
- All new entries to an existing list are placed at the end of the list. You cannot add entries to the middle of a list.
- This list shows the EtherType values and their corresponding protocol keywords:
 - 0x0600—xns-idp—Xerox XNS IDP
 - 0x0BAD—vines-ip—Banyan VINES IP
 - 0x0baf—vines-echo—Banyan VINES Echo
 - 0x6000—etype-6000—DEC unassigned, experimental
 - 0x6001—mop-dump—DEC Maintenance Operation Protocol (MOP) Dump/Load Assistance
 - 0x6002—mop-console—DEC MOP Remote Console
 - 0x6003—decnet-iv—DEC DECnet Phase IV Route
 - 0x6004—lat—DEC Local Area Transport (LAT)
 - 0x6005—diagnostic—DEC DECnet Diagnostics
 - 0x6007—lavc-sca—DEC Local-Area VAX Cluster (LAVC), SCA
 - 0x6008—amber—DEC AMBER
 - 0x6009—mumps—DEC MUMPS
 - 0x0800—ip—Malformed, invalid, or deliberately corrupt IP frames
 - 0x8038—dec-spanning—DEC LANBridge Management
 - 0x8039—dsm—DEC DSM/DDP
 - 0x8040—netbios—DEC PATHWORKS DECnet NETBIOS Emulation
 - 0x8041—msdos—DEC Local Area System Transport
 - 0x8042—etype-8042—DEC unassigned
 - 0x809B—appletalk—Kinetics EtherTalk (AppleTalk over Ethernet)
 - 0x80F3—aarp—Kinetics AppleTalk Address Resolution Protocol (AARP)

This example shows how to create a MAC-Layer ACL named `mac_layer` that denies `dec-phase-iv` traffic with source address `0000.4700.0001` and destination address `0000.4700.0009`, but permits all other traffic:

```
Router(config)# mac access-list extended mac_layer
Router(config-ext-macl)# deny 0000.4700.0001 0.0.0 0000.4700.0009 0.0.0 dec-phase-iv
Router(config-ext-macl)# permit any any
```

Configuring ARP ACLs for QoS Filtering



Note

- The PFC3 does not apply IP ACLs to ARP traffic.
- You cannot apply microflow policing to ARP traffic.

You can configure named ACLs that filter ARP traffic (EtherType 0x0806) for QoS.

To configure an ARP ACL for QoS filtering, perform this task:

	Command	Purpose
Step 1	Router(config)# arp access-list <i>list_name</i>	Configures an ARP ACL for QoS filtering.
Step 2	Router(config-arp-nacl)# { permit deny } { ip { any host <i>sender_ip</i> <i>sender_ip</i> <i>sender_ip_wildcardmask</i> } mac any	Configures an access control entry (ACE) in an ARP ACL for QoS filtering.

When configuring an entry in an ARP ACL for QoS filtering, note the following information:

- This publication describes the ARP ACL syntax that is supported in hardware by the PFC3. Any other ARP ACL syntax displayed by the CLI help when you enter a question mark (“?”) is not supported and cannot be used to filter ARP traffic for QoS.
- ACLs entries are scanned in the order you enter them. The first matching entry is used. To improve performance, place the most commonly used entries near the beginning of the ACL.
- An implicit **deny ip any mac any** entry exists at the end of an ACL unless you include an explicit **permit ip any mac any** entry at the end of the list.
- All new entries to an existing list are placed at the end of the list. You cannot add entries to the middle of a list.

This example shows how to create an ARP ACL named `arp_filtering` that only permits ARP traffic from IP address `1.1.1.1`:

```
Router(config)# arp access-list arp_filtering
Router(config-arp-nacl)# permit ip host 1.1.1.1 mac any
```

Configuring a Class Map

These sections describe class map configuration:

- [Creating a Class Map, page 43-73](#)
- [Class Map Filtering Guidelines and Restrictions, page 43-73](#)
- [Configuring Filtering in a Class Map, page 43-74](#)

Creating a Class Map

To create a class map, perform this task:

Command	Purpose
Router(config)# class-map <i>class_name</i>	Creates a class map.

Class Map Filtering Guidelines and Restrictions

When configuring class map filtering, follow these guidelines and restrictions:

- PFC QoS supports multiple match criteria in class maps configured with the **match-any** keywords.
- When multiple **match access-group** ACLs are included in a **match-any** class map, and one ACL contains a **deny ip any any** entry, all match criteria after the **deny ip any any** entry (either in the same ACL or in different ACLs) will not be installed in the TCAM.

In the following example, ACLs `acl4` and `acl5` will not be installed because they follow `acl3`, which contains a **deny ip any any** entry:

```
ip access-list ext acl3
  deny ip any any

class-map cmap1
  match access-group acl1
  match access-group acl2
  match access-group acl3
  match access-group acl4
  match access-group acl5
```

You can use either of the following workarounds to avoid this issue:

- Move the **deny ip any any** entry to the end of the ACL and move that ACL to the end of the class map.
- Configure all ACLs that must follow the **deny ip any any** entry into different class maps.
- The PFC3 supports the **match protocol ipv6** command.
- Because of conflicting TCAM lookup flow key bit requirements, you cannot configure IPv6 DSCP-based filtering and IPv6 Layer 4 range-based filtering on the same interface. For example:
 - If configure both a DSCP value and a Layer 4 greater than (gt) or less than (lt) operator in an IPv6 ACE, you cannot use the ACL for PFC QoS filtering.
 - If configure a DSCP value in one IPv6 ACL and a Layer 4 greater than (gt) or less than (lt) operator in another IPv6 ACL, you cannot use both ACLs in different class maps on the same interface for PFC QoS filtering.
- The IPv6 address matching against Layer 4 ports is ignored if the IPv6 address in the ACE is not compressible. The IPv6 source and destination addresses are matched, but the configured source or destination UDP or TCP ports will be ignored. To force Layer 4 port matching, use the **mls ipv6 acl compress address unicast** command.
- PFC QoS supports the **match protocol ip** command for IPv4 traffic.
- PFC QoS does not support the **match cos**, **match classmap**, **match destination-address**, **match input-interface**, **match qos-group**, and **match source-address** class map commands.
- Cisco IOS Release 12.2SX does not detect the use of unsupported commands until you attach a policy map to an interface.

- Filtering based on IP precedence or DSCP for [egress QoS](#) uses the received IP precedence or DSCP. Egress QoS filtering is not based on any IP precedence or DSCP changes made by ingress QoS.

**Note**

This chapter includes the following ACL documentation:

- [Configuring MAC ACLs, page 43-68](#)
- [Configuring ARP ACLs for QoS Filtering, page 43-72](#)

Other ACLs are not documented in this publication. See the references under **access-list** in the “PFC QoS Policy Configuration Overview” section on page 43-67.

Configuring Filtering in a Class Map

To configure filtering in a class map, perform one of these tasks:

Command	Purpose
Router(config-cmap)# match access-group name acl_index_or_name	(Optional) Configures the class map to filter using an ACL.
Router (config-cmap)# match protocol ipv6	(Optional—for IPv6 traffic) Configures the class map to filter IPv6 traffic.
Router (config-cmap)# match precedence ipp_value1 [ipp_value2 [ipp_valueN]]	(Optional—for IPv4 or IPv6 traffic) Configures the class map to filter based on up to eight IP precedence values. Note Does not support source-based or destination-based microflow policing.
Router (config-cmap)# match dscp dscp_value1 [dscp_value2 [dscp_valueN]]	(Optional—for IPv4 or IPv6 traffic only) Configures the class map to filter based on up to eight DSCP values. Note Does not support source-based or destination-based microflow policing.
Router (config-cmap)# match ip precedence ipp_value1 [ipp_value2 [ipp_valueN]]	(Optional—for IPv4 traffic) Configures the class map to filter based on up to eight IP precedence values. Note Does not support source-based or destination-based microflow policing.
Router (config-cmap)# match ip dscp dscp_value1 [dscp_value2 [dscp_valueN]]	(Optional—for IPv4 traffic) Configures the class map to filter based on up to eight DSCP values. Note Does not support source-based or destination-based microflow policing.

Verifying Class Map Configuration

To verify class map configuration, perform this task:

	Command	Purpose
Step 1	Router (config-cmap)# end	Exits configuration mode.
Step 2	Router# show class-map class_name	Verifies the configuration.

This example shows how to create a class map named **ipp5** and how to configure filtering to match traffic with IP precedence 5:

```
Router# configure terminal
Enter configuration commands, one per line.  End with CNTL/Z.
Router(config)# class-map ipp5
Router(config-cmap)# match ip precedence 5
Router(config-cmap)# end
```

This example shows how to verify the configuration:

```
Router# show class-map ipp5
Class Map match-all ipp5 (id 1)
  Match ip precedence 5
```

Configuring a Policy Map

You can attach only one policy map to an interface. Policy maps can contain one or more policy map classes, each with different policy map commands.

Configure a separate policy map class in the policy map for each type of traffic that an interface receives. Put all commands for each type of traffic in the same policy map class. PFC QoS does not attempt to apply commands from more than one policy map class to matched traffic.

These sections describe policy map configuration:

- [Creating a Policy Map, page 43-75](#)
- [Policy Map Class Configuration Guidelines and Restrictions, page 43-75](#)
- [Creating a Policy Map Class and Configuring Filtering, page 43-76](#)
- [Configuring Policy Map Class Actions, page 43-76](#)

Creating a Policy Map

To create a policy map, perform this task:

Command	Purpose
Router(config)# policy-map <i>policy_name</i>	Creates a policy map.

Policy Map Class Configuration Guidelines and Restrictions

When you configuring policy map classes, follow the guidelines and restrictions:

- PFC QoS does not support the **class** *class_name* **destination-address**, **class** *class_name* **input-interface**, **class** *class_name* **qos-group**, and **class** *class_name* **source-address** policy map commands.
- PFC QoS supports the **class default** policy map command.
- PFC QoS does not detect the use of unsupported commands until you attach a policy map to an interface.

Creating a Policy Map Class and Configuring Filtering

To create a policy map class and configure it to filter with a class map, perform this task:

Command	Purpose
Router(config-pmap)# class <i>class_name</i>	Creates a policy map class and configures it to filter with a class map. Note PFC QoS supports class maps that contain a single match command.

Configuring Policy Map Class Actions

When configuring policy map class actions, note the following information:

- Policy maps can contain one or more policy map classes.
- Put all trust-state and policing commands for each type of traffic in the same policy map class.
- PFC QoS only applies commands from one policy map class to traffic. After traffic has matched the filtering in one policy map class, QoS does not apply the filtering configured in other policy map classes.
- For hardware-switched traffic, PFC QoS does not support the **bandwidth**, **priority**, **queue-limit**, or **random-detect** policy map class commands. You can configure these commands because they can be used for software-switched traffic.
- PFC QoS does not support the **set qos-group** policy map class commands.
- PFC QoS supports the **set ip dscp** and **set ip precedence** policy map class commands for IPv4 traffic.
 - You can use the **set ip dscp** and **set ip precedence** commands on non-IP traffic to mark the internal DSCP value, which is the basis of the egress Layer 2 CoS value.
 - The **set ip dscp** and **set ip precedence** commands are saved in the configuration file as **set dscp** and **set precedence** commands.
- PFC QoS supports the **set dscp** and **set precedence** policy map class commands for IPv4 and IPv6 traffic.
- You cannot do all three of the following in a policy map class:
 - Mark traffic with the **set** commands
 - Configure the trust state
 - Configure policing

In a policy map class, you can either mark traffic with the **set** commands or do one or both of the following:

- Configure the trust state
- Configure policing



Note When configure policing, you can mark traffic with policing keywords.

These sections describe policy map class action configuration:

- [Configuring Policy Map Class Marking, page 43-77](#)

- [Configuring the Policy Map Class Trust State, page 43-77](#)
- [Configuring Policy Map Class Policing, page 43-77](#)

Configuring Policy Map Class Marking

When the [ignore port trust](#) feature is enabled, PFC QoS supports policy map class marking for all traffic with **set** policy map class commands.

In all releases, PFC QoS supports policy map class marking for untrusted traffic with **set** policy map class commands.

To configure policy map class marking, perform this task:

Command	Purpose
Router(config-pmap-c)# set { dscp <i>dscp_value</i> precedence <i>ip_precedence_value</i> }	Configures the policy map class to mark matched untrusted traffic with the configured DSCP or IP precedence value.

Configuring the Policy Map Class Trust State



Note

You cannot attach a policy map that configures a trust state with the **service-policy output** command.

To configure the policy map class trust state, perform this task:

Command	Purpose
Router(config-pmap-c)# trust { cos dscp ip-precedence }	Configures the policy map class trust state, which selects the value that PFC QoS uses as the source of the initial internal DSCP value.

When configuring the policy map class trust state, note the following information:

- Enter the **no trust** command to use the trust state configured on the ingress port (this is the default).
- With the **cos** keyword, PFC QoS sets the internal DSCP value from received or ingress port CoS.
- With the **dscp** keyword, PFC QoS uses received DSCP.
- With the **ip-precedence** keyword, PFC QoS sets DSCP from received IP precedence.

Configuring Policy Map Class Policing

When you configure policy map class policing, note the following information:

- PFC QoS does not support the **set-qos-transmit** policer keyword.
- PFC QoS does not support the **set-dscp-transmit** or **set-prec-transmit** keywords as arguments to the **exceed-action** keyword.
- PFC QoS does not detect the use of unsupported keywords until you attach a policy map to an interface.

These sections describe configuration of policy map class policing:

- [Using a Named Aggregate Policer, page 43-78](#)
- [Configuring a Per-Interface Policer, page 43-78](#)

**Note**

Policing with the **conform-action transmit** keywords sets the port trust state of matched traffic to trust DSCP or to the trust state configured by a **trust** command in the policy map class.

Using a Named Aggregate Policer

To use a named aggregate policer, perform this task:

Command	Purpose
Router(config-pmap-c)# police aggregate <i>aggregate_name</i>	Configures the policy map class to use a previously defined named aggregate policer.

Configuring a Per-Interface Policer

To configure a per-interface policer, perform this task:

Command	Purpose
Router(config-pmap-c)# police [flow [mask { src-only dest-only full-flow }]] <i>bits_per_second</i> <i>normal_burst_bytes</i> [<i>maximum_burst_bytes</i>] [pir <i>peak_rate_bps</i>] [[conform-action { drop set-dscp-transmit <i>dscp_value</i> set-prec-transmit <i>ip_precedence_value</i> transmit }]] exceed-action { drop policed-dscp transmit }] violate-action { drop policed-dscp transmit }]	Creates a per-interface policer and configures the policy-map class to use it.

When configuring a per-interface policer, note the following information:

- Aggregate policing works independently on each DFC-equipped switching module and independently on the PFC, which supports any non-DFC-equipped switching modules. Aggregate policing does not combine flow statistics from different DFC-equipped switching modules. You can display aggregate policing statistics for each DFC-equipped switching module and for the PFC and any non-DFC-equipped switching modules supported by the PFC.
- Each PFC or DFC polices independently, which might affect QoS features being applied to traffic that is distributed across the PFC and any DFCs. Examples of these QoS feature are:
 - Policers applied to a port channel interface.
 - Policers applied to a switched virtual interface.
 - Egress policers applied to either a Layer 3 interface or an SVI. Note that PFC QoS performs egress policing decisions at the ingress interface, on the PFC or ingress DFC.

Policers affected by this restriction deliver an aggregate rate that is the sum of all the independent policing rates.

- When you apply both ingress policing and egress policing to the same traffic, both the input policy and the output policy must either mark down traffic or drop traffic. PFC QoS does not support ingress markdown with egress drop or ingress drop with egress markdown.
- You can apply aggregate and microflow policers to IPv6 traffic.
- Policing uses the Layer 2 frame size.
- See the “[PFC QoS Configuration Guidelines and Restrictions](#)” section on page 43-52 for information about rate and burst size granularity.

- You can enter the **flow** keyword to define a microflow policer (you cannot apply microflow policing to ARP traffic). When configuring a microflow policer, note the following information:
 - You can enter the **mask src-only** keywords to base flow identification only on source addresses, which applies the microflow policer to all traffic from each source address. PFC QoS supports the **mask src-only** keywords for both IP traffic and MAC traffic.
 - You can enter the **mask dest-only** keywords to base flow identification only on destination addresses, which applies the microflow policer to all traffic to each source address. PFC QoS supports the **mask dest-only** keywords for both IP traffic and MAC traffic.
 - By default and with the **mask full-flow** keywords, PFC QoS bases IP flow identification on source IP address, destination IP address, the Layer 3 protocol, and Layer 4 port numbers.
 - PFC QoS considers MAC-Layer traffic with the same protocol and the same source and destination MAC-Layer addresses to be part of the same flow, including traffic with different EtherTypes.
 - Microflow policers do not support the *maximum_burst_bytes* parameter, the **pir bits_per_second** keyword and parameter, or the **violate-action** keyword.



Note The flowmask requirements of microflow policing, NetFlow, and NetFlow data export (NDE) might conflict.

- The valid range of values for the CIR *bits_per_second* parameter is as follows:
 - Minimum—32 kilobits per second, entered as 32000
 - Maximum with Release 12.2(33)SXH1 and earlier—10 gigabits per second, entered as 10000000000
 - Maximum with Release 12.2(33)SXH2 and later—64 gigabits per second, entered as 64000000000
- The *normal_burst_bytes* parameter sets the CIR token bucket size.
- The *maximum_burst_bytes* parameter sets the PIR token bucket size (not supported with the **flow** keyword).
- When configuring the size of a token bucket, note the following information:
 - Because the token bucket must be large enough to hold at least one frame, configure the token bucket size to be larger than the maximum size of the traffic being policed.
 - For TCP traffic, configure the token bucket size as a multiple of the TCP window size, with a minimum value at least twice as large as the maximum size of the traffic being policed.
 - The *maximum_burst_bytes* parameter must be set larger than the *normal_burst_bytes* parameter.
 - To sustain a specific rate, set the token bucket size to be at least the rate value divided by 2000.



Note To provide compatibility with QoS as implemented in the Catalyst operating system, Release 12.2(33)SXI and later releases support 1 byte as the minimum token bucket size, entered as 1.

- With Release 12.2(33)SXI and later releases, the minimum token bucket size is 1 byte, entered as 1.
- With releases earlier than Release 12.2(33)SXI, the minimum token bucket size is 1000 bytes, entered as 1000.

- The maximum token bucket size is 512 megabytes, entered as 512000000.
- The valid range of values for the **pir** *bits_per_second* parameter (not supported with the **flow** keyword) is as follows:
 - Minimum—32 kilobits per second, entered as 32000 (the value cannot be smaller than the CIR *bits_per_second* parameters)
 - Maximum with Release 12.2(33)SXH1 and earlier—10 gigabits per second, entered as 10000000000
 - Maximum with Release 12.2(33)SXH2 and later—64 gigabits per second, entered as 64000000000
- (Optional) You can specify a conform action for matched in-profile traffic as follows:
 - The default conform action is **transmit**, which sets the policy map class trust state to *trust DSCP* unless the policy map class contains a **trust** command.
 - To set PFC QoS labels in untrusted traffic, you can enter the **set-dscp-transmit** keyword to mark matched untrusted traffic with a new DSCP value or enter the **set-prec-transmit** keyword to mark matched untrusted traffic with a new IP precedence value. The **set-dscp-transmit** and **set-prec-transmit** keywords are only supported for IP traffic. PFC QoS sets egress ToS and CoS from the configured value.
 - You can enter the **drop** keyword to drop all matched traffic.
 - Ensure that aggregate and microflow policers that are applied to the same traffic each specify the same conform-action behavior.
- (Optional) For traffic that exceeds the CIR, you can specify an exceed action as follows:
 - For marking without policing, you can enter the **transmit** keyword to transmit all matched out-of-profile traffic.
 - The default exceed action is **drop**, except with a *maximum_burst_bytes* parameter (**drop** is not supported with a *maximum_burst_bytes* parameter).



Note When the exceed action is **drop**, PFC QoS ignores any configured violate action.

- You can enter the **policed-dscp-transmit** keyword to cause all matched out-of-profile traffic to be marked down as specified in the markdown map.



Note When you create a policer that does not use the **pir** keyword and the *maximum_burst_bytes* parameter is equal to the *normal_burst_bytes* parameter (which is the case if you do not enter the *maximum_burst_bytes* parameter), the **exceed-action policed-dscp-transmit** keywords cause PFC QoS to mark traffic down as defined by the **policed-dscp max-burst** markdown map.

- (Optional—Not supported with the **flow** keyword) for traffic that exceeds the PIR, you can specify a violate action as follows:
 - For marking without policing, you can enter the **transmit** keyword to transmit all matched out-of-profile traffic.
 - The default violate action is equal to the exceed action.
 - You can enter the **policed-dscp-transmit** keyword to cause all matched out-of-profile traffic to be marked down as specified in the markdown map.

This example shows how to create a policy map named **max-pol-ipp5** that uses the class-map named **ipp5**, which is configured to trust received IP precedence values and is configured with a maximum-capacity aggregate policer and with a microflow policer:

```
Router# configure terminal
Enter configuration commands, one per line. End with CNTL/Z.
Router(config)# policy-map max-pol-ipp5
Router(config-pmap)# class ipp5
Router(config-pmap-c)# trust ip-precedence
Router(config-pmap-c)# police 2000000000 2000000 conform-action set-prec-transmit 6
exceed-action policed-dscp-transmit
Router(config-pmap-c)# police flow 10000000 10000 conform-action set-prec-transmit 6
exceed-action policed-dscp-transmit
Router(config-pmap-c)# end
```

Verifying Policy Map Configuration

To verify policy map configuration, perform this task:

	Command	Purpose
Step 1	Router(config-pmap-c)# end	Exits policy map class configuration mode. Note Enter additional class commands to create additional classes in the policy map.
Step 2	Router# show policy-map <i>policy_name</i>	Verifies the configuration.

This example shows how to verify the configuration:

```
Router# show policy-map max-pol-ipp5
Policy Map max-pol-ipp5
  class ipp5
    police flow 10000000 10000 conform-action set-prec-transmit 6 exceed-action
    policed-dscp-transmit
    trust precedence
    police 2000000000 2000000 2000000 conform-action set-prec-transmit 6 exceed-action
    policed-dscp-transmit
Router#
```

Attaching a Policy Map to an Interface

To attach a policy map to an interface, perform this task:

	Command	Purpose
Step 1	Router(config)# interface {{vlan <i>vlan_ID</i> } {type ¹ <i>slot/port</i> [.subinterface]} {port-channel <i>number</i> [.subinterface]}}	Selects the interface to configure.
Step 2	Router(config-if)# service-policy [<i>input</i> <i>output</i>] <i>policy_map_name</i>	Attaches a policy map to the interface.
Step 3	Router(config-if)# end	Exits configuration mode.
Step 4	Router# show policy-map interface {{vlan <i>vlan_ID</i> } {type ¹ <i>slot/port</i> } {port-channel <i>number</i> }}	Verifies the configuration.

1. `type = fastethernet, gigabitethernet, or tengigabitethernet`

When attaching a policy map to an interface, note the following information:

- Do not attach a service policy to a port that is a member of an EtherChannel.
 - PFC QoS supports the **output** keyword only on Layer 3 interfaces (either LAN ports configured as Layer 3 interfaces or VLAN interfaces). You can attach both an input and an output policy map to a Layer 3 interface.
 - VLAN-based or port-based PFC QoS on Layer 2 ports is not relevant to policies attached to Layer 3 interfaces with the **output** keyword.
 - Policies attached with the **output** keyword do not support microflow policing.
 - You cannot attach a policy map that configures a trust state with the **service-policy output** command.
 - Filtering based on IP precedence or DSCP in policies attached with the **output** keyword uses the received IP precedence or DSCP values. Filtering based on IP precedence or DSCP in policies attached with the **output** keyword is not based on any IP precedence or DSCP changes made by ingress QoS.
 - Aggregate policing works independently on each DFC-equipped switching module and independently on the PFC, which supports any non-DFC-equipped switching modules. Aggregate policing does not combine flow statistics from different DFC-equipped switching modules. You can display aggregate policing statistics for each DFC-equipped switching module and for the PFC and any non-DFC-equipped switching modules supported by the PFC.
 - Each PFC or DFC polices independently, which might affect QoS features being applied to traffic that is distributed across the PFC and any DFCs. Examples of these QoS feature are:
 - Policers applied to a port channel interface.
 - Policers applied to a switched virtual interface.
 - Egress policers applied to either a Layer 3 interface or an SVI. Note that PFC QoS performs egress policing decisions at the ingress interface, on the PFC or ingress DFC.
- Policers affected by this restriction deliver an aggregate rate that is the sum of all the independent policing rates.
- When you apply both ingress policing and egress policing to the same traffic, both the input policy and the output policy must either mark down traffic or drop traffic. PFC QoS does not support ingress markdown with egress drop or ingress drop with egress markdown.

This example shows how to attach the policy map named **pmap1** to Fast Ethernet port 5/36:

```
Router# configure terminal
Enter configuration commands, one per line. End with CNTL/Z.
Router(config)# interface fastethernet 5/36
Router(config-if)# service-policy input pmap1
Router(config-if)# end
```

This example shows how to verify the configuration:

```
Router# show policy-map interface fastethernet 5/36
FastEthernet5/36
  service-policy input: pmap1
    class-map: cmap1 (match-all)
      0 packets, 0 bytes
      5 minute rate 0 bps
      match: ip precedence 5
    class cmap1
```

```

police 8000 8000 conform-action transmit exceed-action drop
class-map: cmap2 (match-any)
  0 packets, 0 bytes
  5 minute rate 0 bps
match: ip precedence 2
  0 packets, 0 bytes
  5 minute rate 0 bps
class cmap2
  police 8000 10000 conform-action transmit exceed-action drop
Router#

```

Configuring Dynamic Per-Session Attachment of a Policy Map

To configure and enable per-session QoS, perform these steps:

-
- Step 1** Define the ingress and [egress QoS](#) policy maps to be assigned when users are authenticated.
 - Step 2** Configure identity policies to specify the policy maps to be assigned.
 - Step 3** In the user profiles on the RADIUS server, configure the Cisco vendor-specific attributes (VSAs) to specify which ingress and egress QoS policy maps will be assigned to each user.
-

To define the policy maps and associate them with an identity policy, follow these steps:

	Command	Purpose
Step 1	Router(config)# policy-map <i>in_policy_name</i>	Configures an ingress QoS policy map.
Step 2	Router(config-pmap)# class <i>class_map_name</i> ...	Configures policy map class.
Step 3	Router(config-pmap-c)# exit	Exits policy map class configuration submenu.
Step 4	Router(config)# policy-map <i>out_policy_name</i>	Configures an egress QoS policy map.
Step 5	Router(config-pmap)# class <i>class_map_name</i> ...	Configures policy map class.
Step 6	Router(config-pmap-c)# exit	Exits policy map class configuration submenu.
Step 7	Router(config)# identity policy <i>policy1</i>	Creates an identity policy, and enters identity policy configuration submenu.
Step 8	Router(config-identity-policy)# service-policy type qos input <i>in_policy_name</i>	Associates the ingress QoS policy map with this identity.
Step 9	Router(config-identity-policy)# service-policy type qos output <i>out_policy_name</i>	Associates the egress QoS policy map with this identity.
Step 10	Router(config-identity-policy)# end	Exits identity policy configuration submenu and returns to privileged EXEC mode.
Step 11	Router# show epm session [summary ip <i>ip_addr</i> mac <i>mac_addr</i>]	Verifies the configuration when a session is active on the interface.

To remove the identity policy from the switch, use the **no identity policy** *policy_name* command.

After the policy maps have been defined on the switch, configure the Cisco AV pair attributes in each user profile on the RADIUS server using the policy map names:

- cisco-avpair = "ip:sub-policy-In=*in_policy_name*"

- `cisco-avpair = "ip:sub-policy-Out=out_policy_name"`

To set the Cisco AV pair attributes on the RADIUS server, perform the following task:

Command or Action	Purpose
<pre>sub-policy-In=in_policy_name sub-policy-Out=out_policy_name</pre>	<p>Enters the two Cisco AV pairs for service policy on the RADIUS server in the user file. When the switch requests the policy name, this information in the user file is supplied.</p> <p>A RADIUS user file contains an entry for each user that the RADIUS server will authenticate. Each entry, which is also referred to as a <i>user profile</i>, establishes an attribute the user can access.</p> <p>In this example, you have configured a service policy that attaches a QoS policy map to the interface and specifies the direction (inbound for data packets traveling into the interface or outbound for data packets leaving the interface).</p> <p>The policy map applied in the inbound direction is <code>example_in_qos</code> and the outbound policy map is <code>example_out_qos</code>.</p>

This example shows the configuration in the user file on the RADIUS server:

```
userid      Password = "cisco"
  Service-Type = Framed,
  Framed-Protocol = PPP,
  cisco-avpair = "sub-policy-In=example_in_qos",
  cisco-avpair = "sub-policy-Out=example_out_qos"
```

This example shows the output of the **show epm session summary** command when a session is active:

```
Router# show epm session summary

EPM Session Information
-----
Total sessions seen so far : 5
Total active sessions      : 1
Session IP Address         : 192.0.2.1
-----
```

This example shows the output of the **show epm session ip ip_addr** command when a session is active on the interface with IP address 192.0.2.1:

```
Router# show epm session ip 192.0.2.1

Admission feature      : AUTHPROXY
AAA Policies           :
Input Service Policy   : in_policy_name
Output Service Policy  : out_policy_name
```

Configuring Egress DSCP Mutation

These sections describe how to configure egress DSCP mutation:

- [Configuring Named DSCP Mutation Maps, page 43-85](#)
- [Attaching an Egress DSCP Mutation Map to an Interface, page 43-86](#)

Configuring Named DSCP Mutation Maps

To configure a named DSCP mutation map, perform this task:

	Command	Purpose
Step 1	Router(config)# mls qos map dscp-mutation <i>map_name dscp1 [dscp2 [dscp3 [dscp4 [dscp5 [dscp6</i> <i>[dscp7 [dscp8]]]]]] to mutated_dscp</i>	Configures a named DSCP mutation map.
Step 2	Router(config)# end	Exits configuration mode.
Step 3	Router# show mls qos maps	Verifies the configuration.

When configuring a named DSCP mutation map, note the following information:

- You can enter up to 8 DSCP values that map to a mutated DSCP value.
- You can enter multiple commands to map additional DSCP values to a mutated DSCP value.
- You can enter a separate command for each mutated DSCP value.

This example shows how to map DSCP 30 to mutated DSCP value 8:

```
Router# configure terminal
Enter configuration commands, one per line. End with CNTL/Z.
Router(config)# mls qos map dscp-mutation mutmap1 30 to 8
Router(config)# end
Router#
```

This example shows how to verify the configuration:

```
Router# show mls qos map | begin DSCP mutation
DSCP mutation map mutmap1: (dscp= d1d2)
  d1 : d2 0  1  2  3  4  5  6  7  8  9
-----
  0 :   00 01 02 03 04 05 06 07 08 09
  1 :   10 11 12 13 14 15 16 17 18 19
  2 :   20 21 22 23 24 25 26 27 28 29
  3 :   08 31 32 33 34 35 36 37 38 39
  4 :   40 41 42 43 44 45 46 47 48 49
  5 :   50 51 52 53 54 55 56 57 58 59
  6 :   60 61 62 63
<...Output Truncated...>
Router#
```



Note

In the DSCP mutation map displays, the marked-down DSCP values are shown in the body of the matrix; the first digit of the original DSCP value is in the column labeled d1 and the second digit is in the top row. In the example shown, DSCP 30 maps to DSCP 08.

Attaching an Egress DSCP Mutation Map to an Interface

To attach an egress DSCP mutation map to an interface, perform this task:

	Command	Purpose
Step 1	Router(config)# interface {{vlan vlan_ID} {type ¹ slot/port[.subinterface]} {port-channel number[.subinterface]}}	Selects the interface to configure.
Step 2	Router(config-if)# mls qos dscp-mutation mutation_map_name	Attaches an egress DSCP mutation map to the interface.
Step 3	Router(config-if)# end	Exits configuration mode.
Step 4	Router# show running-config interface {{vlan vlan_ID} {type ¹ slot/port} {port-channel number}}	Verifies the configuration.

1. *type* = fastethernet, gigabitethernet, or tengigabitethernet

This example shows how to attach the egress DSCP mutation map named mutmap1 to Fast Ethernet port 5/36:

```
Router# configure terminal
Enter configuration commands, one per line. End with CNTL/Z.
Router(config)# interface fastethernet 5/36
Router(config-if)# mls qos dscp-mutation mutmap1
Router(config-if)# end
```

Configuring Ingress CoS Mutation on IEEE 802.1Q Tunnel Ports

IEEE 802.1Q tunnel ports configured to trust received CoS support ingress CoS mutation (see the [“Applying Ingress CoS Mutation Maps to IEEE 802.1Q Tunnel Ports”](#) section on page 43-88 for the list of supported modules).

When you configure ingress CoS mutation on an IEEE 802.1Q tunnel port that you have configured to trust received CoS, PFC QoS uses the mutated CoS value instead of the received CoS value in the ingress drop thresholds and for any trust CoS marking and policing.

These sections describe how to configure ingress CoS mutation:

- [Ingress CoS Mutation Configuration Guidelines and Restrictions, page 43-86](#)
- [Configuring Ingress CoS Mutation Maps, page 43-87](#)
- [Applying Ingress CoS Mutation Maps to IEEE 802.1Q Tunnel Ports, page 43-88](#)

Ingress CoS Mutation Configuration Guidelines and Restrictions

When configuring ingress CoS mutation, follow these guidelines and restrictions:

- Ports that are not configured as IEEE 802.1Q tunnel ports do not support ingress CoS mutation.
- Ports that are not configured to trust received CoS do not support ingress CoS mutation.
- Ingress CoS mutation does not change the CoS value carried by the customer frames. When the customer traffic exits the 802.1Q tunnel, the original CoS is intact.
- The WS-X6704-10GE, WS-X6748-SFP, WS-X6724-SFP, and WS-X6748-GE-TX switching modules support ingress CoS mutation.

- Ingress CoS mutation configuration applies to all ports in a port group. The port groups are:
 - WS-X6704-10GE—4 ports, 4 port groups, 1 port in each group
 - WS-X6748-SFP—48 ports, 4 port groups: ports 1–12, 13–24, 25–36, and 37–48
 - WS-X6724-SFP—24 ports, 2 port groups: ports 1–12 and 13–24
 - WS-X6748-GE-TX—48 ports, 4 port groups: ports 1–12, 13–24, 25–36, and 37–48
- To avoid ingress CoS mutation configuration failures, only create EtherChannels where all member ports support ingress CoS mutation or where no member ports support ingress CoS mutation. Do not create EtherChannels with mixed support for ingress CoS mutation.
- If you configure ingress CoS mutation on a port that is a member of an EtherChannel, the ingress CoS mutation is applied to the port-channel interface.
- You can configure ingress CoS mutation on port-channel interfaces.
- With ingress CoS mutation configured on a port-channel interface, the following occurs:
 - The ingress CoS mutation configuration is applied to the port groups of all member ports of the EtherChannel. If any member port cannot support ingress CoS mutation, the configuration fails.
 - If a port in the port group is a member of a second EtherChannel, the ingress CoS mutation configuration is applied to the second port-channel interface and to the port groups of all member ports of the second EtherChannel. If any member port of the second EtherChannel cannot support ingress CoS mutation, the configuration fails on the first EtherChannel. If the configuration originated on a nonmember port in a port group that has a member port of the first EtherChannel, the configuration fails on the nonmember port.
 - The ingress CoS mutation configuration propagates without limit through port groups, member ports, and port-channel interfaces, regardless of whether or not the ports are configured to trust CoS or are configured as IEEE 802.1Q tunnel ports.
- An EtherChannel where you want to configure ingress CoS mutation must not have member ports that are in port groups containing member ports of other EtherChannels that have member ports that do not support ingress CoS mutation. (This restriction extends without limit through all port-group-linked member ports and port-channel-interface-linked ports.)
- A port where you want to configure ingress CoS mutation must not be in a port group that has a member port of an EtherChannel that has members that do not support ingress CoS mutation. (This restriction extends without limit through all port-group-linked member ports and port-channel-interface-linked ports.)
- There can be only be one ingress CoS mutation configuration applied to all port-group-linked member ports and port-channel-interface-linked ports.

Configuring Ingress CoS Mutation Maps

To configure an ingress CoS mutation map, perform this task:

	Command	Purpose
Step 1	Router(config)# mls qos map cos-mutation <i>mutation_map_name mutated_cos1 mutated_cos2</i> <i>mutated_cos3 mutated_cos4 mutated_cos5</i> <i>mutated_cos6 mutated_cos7 mutated_cos8</i>	Configures an ingress CoS mutation map. You must enter 8 mutated CoS values to which PFC QoS maps ingress CoS values 0 through 7.
Step 2	Router(config)# end	Exits configuration mode.
Step 3	Router# show mls qos maps cos-mutation	Verifies the configuration.

This example shows how to configure a CoS mutation map named testmap:

```
Router# configure terminal
Enter configuration commands, one per line. End with CNTL/Z.
Router(config)# mls qos map cos-mutation testmap 4 5 6 7 0 1 2 3
Router(config)# end
Router#
```

This example shows how to verify the map configuration:

```
Router(config)# show mls qos maps cos-mutation
COS mutation map testmap
cos-in  :  0  1  2  3  4  5  6  7
-----
cos-out  :  4  5  6  7  0  1  2  3
Router#
```

Applying Ingress CoS Mutation Maps to IEEE 802.1Q Tunnel Ports

To attach an ingress CoS mutation map to an IEEE 802.1Q tunnel port, perform this task:

	Command	Purpose
Step 1	Router(config)# interface {{type ¹ slot/port} {port-channel number}}	Selects the interface to configure.
Step 2	Router(config-if)# mls qos cos-mutation mutation_map_name	Attaches an ingress CoS mutation map to the interface.
Step 3	Router(config-if)# end	Exits configuration mode.
Step 4	Router# show running-config interface {{type ¹ slot/port} {port-channel number}} Router# show mls qos maps cos-mutation	Verifies the configuration.

1. *type* = **gigabitethernet** or **tengigabitethernet**

This example shows how to attach the ingress CoS mutation map named testmap to Gigabit Ethernet port 1/1:

```
Router# configure terminal
Enter configuration commands, one per line. End with CNTL/Z.
Router(config)# interface gigabitethernet 1/1
Router(config-if)# mls qos cos-mutation testmap
Router(config-if)# end
Router# show mls qos maps cos-mutation
COS mutation map testmap
cos-in  :  0  1  2  3  4  5  6  7
-----
cos-out  :  4  5  6  7  0  1  2  3

testmap is attached on the following interfaces
Gi1/1
Router#
```

Configuring DSCP Value Maps

These sections describe how DSCP values are mapped to other values:

- [Mapping Received CoS Values to Internal DSCP Values, page 43-89](#)
- [Mapping Received IP Precedence Values to Internal DSCP Values, page 43-89](#)

- [Configuring DSCP Markdown Values, page 43-90](#)
- [Mapping Internal DSCP Values to Egress CoS Values, page 43-91](#)

Mapping Received CoS Values to Internal DSCP Values

To configure the mapping of received CoS values to the DSCP value that PFC QoS uses internally on the PFC, perform this task:

	Command	Purpose
Step 1	Router(config)# mls qos map cos-dscp <i>dscp1 dscp2 dscp3 dscp4 dscp5 dscp6 dscp7 dscp8</i>	Configures the received CoS to internal DSCP map. You must enter 8 DSCP values to which PFC QoS maps CoS values 0 through 7.
Step 2	Router(config)# end	Exits configuration mode.
Step 3	Router# show mls qos maps	Verifies the configuration.

This example shows how to configure the received CoS to internal DSCP map:

```
Router# configure terminal
Enter configuration commands, one per line. End with CNTL/Z.
Router(config)# mls qos map cos-dscp 0 1 2 3 4 5 6 7
Router(config)# end
Router#
```

This example shows how to verify the configuration:

```
Router# show mls qos maps | begin Cos-dscp map
Cos-dscp map:
   cos:  0  1  2  3  4  5  6  7
-----
   dscp:  0  1  2  3  4  5  6  7
<...Output Truncated...>
Router#
```

Mapping Received IP Precedence Values to Internal DSCP Values

To configure the mapping of received IP precedence values to the DSCP value that PFC QoS uses internally on the PFC, perform this task:

	Command	Purpose
Step 1	Router(config)# mls qos map ip-prec-dscp <i>dscp1 dscp2 dscp3 dscp4 dscp5 dscp6 dscp7 dscp8</i>	Configures the received IP precedence to internal DSCP map. You must enter 8 internal DSCP values to which PFC QoS maps received IP precedence values 0 through 7.
Step 2	Router(config)# end	Exits configuration mode.
Step 3	Router# show mls qos maps	Verifies the configuration.

This example shows how to configure the received IP precedence to internal DSCP map:

```
Router# configure terminal
Enter configuration commands, one per line. End with CNTL/Z.
Router(config)# mls qos map ip-prec-dscp 0 1 2 3 4 5 6 7
Router(config)# end
```

This example shows how to verify the configuration:

```
Router# show mls qos maps | begin IpPrecedence-dscp map
IpPrecedence-dscp map:
  ipprec:  0  1  2  3  4  5  6  7
-----
  dscp:    0  1  2  3  4  5  6  7
<...Output Truncated...>
Router#
```

Configuring DSCP Markdown Values

To configure the mapping of DSCP markdown values used by policers, perform this task:

	Command	Purpose
Step 1	Router(config)# mls qos map policed-dscp { normal-burst max-burst } <i>dscp1</i> [<i>dscp2</i> [<i>dscp3</i> [<i>dscp4</i> [<i>dscp5</i> [<i>dscp6</i> [<i>dscp7</i> [<i>dscp8</i>]]]]]]] to <i>markdown_dscp</i>	Configures a DSCP markdown map.
Step 2	Router(config)# end	Exits configuration mode.
Step 3	Router# show mls qos maps	Verifies the configuration.

When configuring a DSCP markdown map, note the following information:

- You can enter the **normal-burst** keyword to configure the markdown map used by the **exceed-action policed-dscp-transmit** keywords.
- You can enter the **max-burst** keyword to configure the markdown map used by the **violate-action policed-dscp-transmit** keywords.



Note

When you create a policer that does not use the **pir** keyword, and the *maximum_burst_bytes* parameter is equal to the *normal_burst_bytes* parameter (which occurs if you do not enter the *maximum_burst_bytes* parameter), the **exceed-action policed-dscp-transmit** keywords cause PFC QoS to mark traffic down as defined by the **policed-dscp max-burst** markdown map.

- To avoid out-of-sequence packets, configure the markdown maps so that conforming and nonconforming traffic uses the same queue.
- You can enter up to 8 DSCP values that map to a marked-down DSCP value.
- You can enter multiple commands to map additional DSCP values to a marked-down DSCP value.
- You can enter a separate command for each marked-down DSCP value.



Note

Configure marked-down DSCP values that map to CoS values consistent with the markdown penalty.

This example shows how to map DSCP 1 to marked-down DSCP value 0:

```
Router# configure terminal
Enter configuration commands, one per line. End with CNTL/Z.
Router(config)# mls qos map policed-dscp normal-burst 1 to 0
Router(config)# end
Router#
```

This example shows how to verify the configuration:

```
Router# show mls qos map
Normal Burst Policed-dscp map:                                (dscp= d1d2)
  d1 :  d2 0  1  2  3  4  5  6  7  8  9
-----
  0 :    00 01 02 03 04 05 06 07 08 09
  1 :    10 11 12 13 14 15 16 17 18 19
  2 :    20 21 22 23 24 25 26 27 28 29
  3 :    30 31 32 33 34 35 36 37 38 39
  4 :    40 41 42 43 44 45 46 47 48 49
  5 :    50 51 52 53 54 55 56 57 58 59
  6 :    60 61 62 63

Maximum Burst Policed-dscp map:                                (dscp= d1d2)
  d1 :  d2 0  1  2  3  4  5  6  7  8  9
-----
  0 :    00 01 02 03 04 05 06 07 08 09
  1 :    10 11 12 13 14 15 16 17 18 19
  2 :    20 21 22 23 24 25 26 27 28 29
  3 :    30 31 32 33 34 35 36 37 38 39
  4 :    40 41 42 43 44 45 46 47 48 49
  5 :    50 51 52 53 54 55 56 57 58 59
  6 :    60 61 62 63
<...Output Truncated...>
Router#
```



Note

In the Policed-dscp displays, the marked-down DSCP values are shown in the body of the matrix; the first digit of the original DSCP value is in the column labeled d1 and the second digit is in the top row. In the example shown, DSCP 41 maps to DSCP 41.

Mapping Internal DSCP Values to Egress CoS Values

To configure the mapping of the DSCP value that PFC QoS uses internally on the PFC to the CoS value used for egress LAN port scheduling and congestion avoidance, perform this task:

	Command	Purpose
Step 1	Router(config)# mls qos map dscp-cos dscp1 [dscp2 [dscp3 [dscp4 [dscp5 [dscp6 [dscp7 [dscp8]]]]]]] to cos_value	Configures the internal DSCP to egress CoS map.
Step 2	Router(config)# end	Exits configuration mode.
Step 3	Router# show mls qos maps	Verifies the configuration.

When configuring the internal DSCP to egress CoS map, note the following information:

- You can enter up to 8 DSCP values that PFC QoS maps to a CoS value.
- You can enter multiple commands to map additional DSCP values to a CoS value.
- You can enter a separate command for each CoS value.

This example shows how to configure internal DSCP values 0, 8, 16, 24, 32, 40, 48, and 54 to be mapped to egress CoS value 0:

```
Router# configure terminal
Enter configuration commands, one per line. End with CNTL/Z.
Router(config)# mls qos map dscp-cos 0 8 16 24 32 40 48 54 to 0
```

```
Router(config)# end
Router#
```

This example shows how to verify the configuration:

```
Router# show mls qos map | begin Dscp-cos map
Dscp-cos map: (dscp= d1d2)
  d1 : d2 0  1  2  3  4  5  6  7  8  9
-----
  0 :   00 00 00 00 00 00 00 00 00 00 01
  1 :   01 01 01 01 01 01 00 02 02 02 02
  2 :   02 02 02 02 00 03 03 03 03 03 03
  3 :   03 03 00 04 04 04 04 04 04 04 04
  4 :   00 05 05 05 05 05 05 05 00 06 06
  5 :   06 06 06 06 00 06 07 07 07 07 07
  6 :   07 07 07 07
<...Output Truncated...>
Router#
```

**Note**

In the Dscp-cos map display, the CoS values are shown in the body of the matrix; the first digit of the DSCP value is in the column labeled d1 and the second digit is in the top row. In the example shown, DSCP values 41 through 47 all map to CoS 05.

Configuring the Trust State of Ethernet LAN Ports

By default, all ports are untrusted. You can configure the port trust state on all Ethernet LAN ports.

**Note**

On non-Gigabit Ethernet **1q4t/2q2t** ports, you must repeat the trust configuration in a class map.

To configure the trust state of a port, perform this task:

	Command	Purpose
Step 1	Router(config)# interface {{type ¹ slot/port} {port-channel number}}	Selects the interface to configure.
Step 2	Router(config-if)# mls qos trust [dscp ip-precedence cos ²]	Configures the trust state of the port.
Step 3	Router(config-if)# end	Exits configuration mode.
Step 4	Router# show queueing interface type ¹ slot/port include Trust state	Verifies the configuration.

1. type = fastethernet, gigabitethernet, or tengigabitethernet.
2. Not supported for serial, pos or atm interface types.

When configuring the trust state of a port, note the following information:

- To apply a non-default trust configuration only when a Cisco IP phone is attached to the port, see the [“Configuring Trusted Boundary with Cisco Device Verification”](#) section on page 43-93.
- To configure QoS on an attached IP phone, see the [“Configuring Cisco IP Phone Support”](#) section on page 15-5.
- With no other keywords, the **mls qos trust** command is equivalent to **mls qos trust dscp**.

- You can use the **mls qos trust dscp** command to enable DSCP-based receive-queue drop thresholds on WS-X6708-10GE, WS-X6716-10GE, WS-X6716-10T, and Supervisor Engine 720-10GE ports (see the “[Configuring DSCP-Based Queue Mapping](#)” section on page 43-101). To avoid dropping traffic because of inconsistent DSCP values when DSCP-based queue mapping is enabled, configure ports with the **mls qos trust dscp** command only when the received traffic carries DSCP values that you know to be consistent with network policy.
- The **mls qos trust cos** command enables CoS-based receive-queue drop thresholds. To avoid dropping traffic because of inconsistent CoS values, configure ports with the **mls qos trust cos** command only when the received traffic is ISL or 802.1Q frames carrying CoS values that you know to be consistent with network policy.
- You can configure IEEE 802.1Q tunnel ports configured with the **mls qos trust cos** command to use a mutated CoS value instead of the received CoS value (“[Configuring Ingress CoS Mutation on IEEE 802.1Q Tunnel Ports](#)” section on page 43-86).
- Use the **no mls qos trust** command to set the port state to untrusted.

This example shows how to configure Gigabit Ethernet port 1/1 with the **trust cos** keywords:

```
Router# configure terminal
Enter configuration commands, one per line. End with CNTL/Z.
Router(config)# interface gigabitethernet 1/1
Router(config-if)# mls qos trust cos
Router(config-if)# end
Router#
```

This example shows how to verify the configuration:

```
Router# show queueing interface gigabitethernet 1/1 | include trust
Trust state: trust COS
Router#
```

Configuring Trusted Boundary with Cisco Device Verification

Release 12.2(33)SX11 and later releases support the trusted boundary with Cisco device verification feature, which configures Ethernet LAN ports to use CDP to detect whether or not a Cisco IP phone is attached to the port.

- If CDP detects a Cisco IP phone, QoS applies a configured **mls qos trust dscp**, **mls qos trust ip-precedence**, or **mls qos trust cos** interface command.
- If CDP does not detect a Cisco IP phone, QoS ignores any configured nondefault trust state.

To configure trusted boundary with Cisco device verification, perform this task:

	Command	Purpose
Step 1	Router(config)# interface {{type ¹ slot/port} {port-channel number}}	Selects the interface to configure.
Step 2	Router(config-if)# mls qos trust device cisco-phone	Configures trusted boundary with Cisco device verification.
Step 3	Router(config-if)# end	Exits configuration mode.
Step 4	Router# show queueing interface type ¹ slot/port include [Tt]rust	Verifies the configuration.

1. type = fastethernet, gigabitethernet, tengigabitethernet.

When configuring trusted boundary with Cisco device verification, note the following information:

- CDP must be enabled on the port to use trusted boundary with Cisco device verification.
- To configure QoS on an attached IP phone, see the “[Configuring Cisco IP Phone Support](#)” section on page 15-5.

This example shows how to configure trusted boundary with Cisco device verification on Gigabit Ethernet port 1/1:

```
Router# configure terminal
Enter configuration commands, one per line. End with CNTL/Z.
Router(config)# interface gigabitethernet 1/1
Router(config-if)# mls qos trust device cisco-phone
Router(config-if)# end
Router#
```

This example shows how to verify the configuration on a port configured to trust CoS, but that does not have a Cisco IP phone attached:

```
Router# show queueing interface gigabitethernet 1/1 | include [Tt]rust
Trust boundary enabled
  Port is untrusted
  Extend trust state: not trusted [COS = 0]
Router#
```

Configuring the Ingress LAN Port CoS Value



Note

Whether or not PFC QoS uses the CoS value applied with the **mls qos cos** command depends on the trust state of the port and the trust state of the traffic received through the port. The **mls qos cos** command does not configure the trust state of the port or the trust state of the traffic received through the port.

To use the CoS value applied with the **mls qos cos** command as the basis of internal DSCP:

- On a port that receives only untagged ingress traffic, configure the ingress port as trusted or configure a trust CoS policy map that matches the ingress traffic.
- On a port that receives tagged ingress traffic, configure a trust CoS policy map that matches the ingress traffic.

You can configure the CoS value that PFC QoS assigns to untagged frames from ingress LAN ports configured as trusted and to all frames from ingress LAN ports configured as untrusted.

To configure the CoS value for an ingress LAN port, perform this task:

	Command	Purpose
Step 1	Router(config)# interface {{type ¹ slot/port} {port-channel number}}	Selects the interface to configure.
Step 2	Router(config-if)# mls qos cos port_cos	Configures the ingress LAN port CoS value.
Step 3	Router(config-if)# end	Exits configuration mode.
Step 4	Router# show queueing interface {ethernet fastethernet gigabitethernet} slot/port	Verifies the configuration.

1. type = fastethernet, gigabitethernet, or tengigabitethernet

This example shows how to configure the CoS value 5 on Fast Ethernet port 5/24 and verify the configuration:

```
Router# configure terminal
Enter configuration commands, one per line. End with CNTL/Z.
Router(config)# interface fastethernet 5/24
Router(config-if)# mls qos cos 5
Router(config-if)# end
Router# show queueing interface fastethernet 5/24 | include Default COS
    Default COS is 5
Router#
```

Configuring Standard-Queue Drop Threshold Percentages

These sections describe configuring standard-queue drop threshold percentages:

- [Configuring a Tail-Drop Receive Queue, page 43-96](#)
- [Configuring a WRED-Drop Transmit Queue, page 43-97](#)
- [Configuring a WRED-Drop and Tail-Drop Receive Queue, page 43-97](#)
- [Configuring a WRED-Drop and Tail-Drop Transmit Queue, page 43-98](#)
- [Configuring 1q4t/2q2t Tail-Drop Threshold Percentages, page 43-99](#)



Note

- Enter the **show queueing interface {ethernet | fastethernet | gigabitethernet | tengigabitethernet} slot/port | include type** command to see the queue structure of a port.
- **1p1q0t** ports have no configurable thresholds.
- **1p3q1t** (transmit), **1p2q1t** (transmit), **1p7q2t** (receive), and **1p1q8t** (receive) ports also have nonconfigurable tail-drop thresholds.

When configuring thresholds, note the following information:

- Queue number 1 is the lowest-priority standard queue.
- Higher-numbered queues are higher priority standard queues.
- Receive-queue parameters can be configured only on trusted ports.
- When configuring minimum and maximum threshold values, you cannot configure minimum values to be larger than maximum values.

When you configure multiple-threshold standard queues, note the following information:

- The first percentage that you enter sets the lowest-priority threshold.
- The second percentage that you enter sets the next highest-priority threshold.
- The last percentage that you enter sets the highest-priority threshold.
- The percentages range from 1 to 100. A value of 10 indicates a threshold when the buffer is 10-percent full.
- Always set highest-numbered threshold to 100 percent.

When configuring the WRED-drop thresholds, note the following information:

- Each WRED-drop threshold has a low-WRED and a high-WRED value.
- Low-WRED and high-WRED values are a percentage of the queue capacity (the range is from 1 to 100).
- The low-WRED value is the traffic level under which no traffic is dropped. The low-WRED value must be lower than the high-WRED value.
- The high-WRED value is the traffic level above which all traffic is dropped.
- Traffic in the queue between the low- and high-WRED values has an increasing chance of being dropped as the queue fills.

Configuring a Tail-Drop Receive Queue

These port types have only tail-drop thresholds in their receive-queues:

- **1q2t**
- **1p1q4t**
- **2q8t**
- **1q8t**

To configure the drop thresholds, perform this task:

	Command	Purpose
Step 1	Router(config)# interface { fastethernet gigabitethernet } <i>slot/port</i>	Selects the interface to configure.
Step 2	Router(config-if)# rcv-queue threshold <i>queue_id thr1% thr2% thr3% thr4% {thr5% thr6% thr7% thr8%}</i>	Configures the receive-queue tail-drop threshold percentages.
Step 3	Router(config-if)# end	Exits configuration mode.
Step 4	Router# show queueing interface { fastethernet gigabitethernet } <i>slot/port</i>	Verifies the configuration.

This example shows how to configure the receive-queue drop thresholds for Gigabit Ethernet port 1/1:

```
Router# configure terminal
Enter configuration commands, one per line. End with CNTL/Z.
Router(config)# interface gigabitethernet 1/1
Router(config-if)# rcv-queue threshold 1 60 75 85 100
Router(config-if)# end
Router#
```

This example shows how to verify the configuration:

```
Router# show queueing interface gigabitethernet 1/1 | begin Receive queues
Receive queues [type = 1p1q4t]:
  Queue Id      Scheduling  Num of thresholds
  -----
      1          Standard      4
      2          Priority       1

Trust state: trust COS

  queue tail-drop-thresholds
  -----
      1      60[1] 75[2] 85[3] 100[4]
```

```
<...Output Truncated...>
Router#
```

Configuring a WRED-Drop Transmit Queue

These port types have only WRED-drop thresholds in their transmit queues:

- **1p2q2t** (transmit)
- **1p2q1t** (transmit)

	Command	Purpose
Step 1	Router(config)# interface <i>type</i> ¹ <i>slot/port</i>	Selects the interface to configure.
Step 2	Router(config-if)# wrr-queue random-detect min-threshold <i>queue_id thr1% [thr2%]</i>	Configures the low WRED-drop thresholds.
Step 3	Router(config-if)# wrr-queue random-detect max-threshold <i>queue_id thr1% [thr2%]</i>	Configures the high WRED-drop thresholds.
Step 4	Router(config-if)# end	Exits configuration mode.
Step 5	Router# show queueing interface <i>type</i> ¹ <i>slot/port</i>	Verifies the configuration.

1. *type* = fastethernet, gigabitethernet, or tengigabitethernet

Configuring a WRED-Drop and Tail-Drop Receive Queue

These port types have both WRED-drop and tail-drop thresholds in their receive queues:

- **8q4t** (receive)
- **8q8t** (receive)
- **1p7q2t** (receive)
- **1p1q8t** (receive)

To configure the drop thresholds, perform this task:

	Command	Purpose
Step 1	Router(config)# interface <i>type</i> ¹ <i>slot/port</i>	Selects the interface to configure.
Step 2	Router(config-if)# rcv-queue threshold <i>queue_id thr1% thr2% thr3% thr4% thr5% thr6% thr7% thr8%</i>	Configures the tail-drop thresholds.
Step 3	Router(config-if)# rcv-queue random-detect min-threshold <i>queue_id thr1% thr2% thr3% thr4% thr5% thr6% thr7% thr8%</i>	Configures the low WRED-drop thresholds.
Step 4	Router(config-if)# rcv-queue random-detect max-threshold <i>queue_id thr1% thr2% thr3% thr4% thr5% thr6% thr7% thr8%</i>	Configures the high WRED-drop thresholds.
Step 5	Router(config-if)# rcv-queue random-detect <i>queue_id</i>	Enables WRED-drop thresholds.
Step 6	Router(config-if)# end	Exits configuration mode.
Step 7	Router# show queueing interface <i>type</i> ¹ <i>slot/port</i>	Verifies the configuration.

1. *type* = fastethernet, gigabitethernet, or tengigabitethernet

Configuring a WRED-Drop and Tail-Drop Transmit Queue

These port types have both WRED-drop and tail-drop thresholds in their transmit queues:

- **1p3q1t** (transmit)
- **1p3q8t** (transmit)
- **1p7q8t** (transmit)

To configure the drop thresholds, perform this task:

	Command	Purpose
Step 1	Router(config)# interface <i>type</i> ¹ <i>slot/port</i>	Selects the interface to configure.
Step 2	Router(config-if)# wrr-queue threshold <i>queue_id</i> <i>thr1%</i> [<i>thr2%</i> <i>thr3%</i> <i>thr4%</i> <i>thr5%</i> <i>thr6%</i> <i>thr7%</i> <i>thr8%</i>]	Configures the tail-drop thresholds.
Step 3	Router(config-if)# wrr-queue random-detect min-threshold <i>queue_id</i> <i>thr1%</i> [<i>thr2%</i> <i>thr3%</i> <i>thr4%</i> <i>thr5%</i> <i>thr6%</i> <i>thr7%</i> <i>thr8%</i>]	Configures the low WRED-drop thresholds.
Step 4	Router(config-if)# wrr-queue random-detect max-threshold <i>queue_id</i> <i>thr1%</i> [<i>thr2%</i> <i>thr3%</i> <i>thr4%</i> <i>thr5%</i> <i>thr6%</i> <i>thr7%</i> <i>thr8%</i>]	Configures the high WRED-drop thresholds.
Step 5	Router(config-if)# wrr-queue random-detect <i>queue_id</i>	Enables WRED-drop thresholds.
Step 6	Router(config-if)# end	Exits configuration mode.
Step 7	Router# show queueing interface <i>type</i> ¹ <i>slot/port</i>	Verifies the configuration.

1. *type* = fastethernet, gigabitethernet, or tengigabitethernet

This example shows how to configure the low-priority transmit queue high-WRED-drop thresholds for Gigabit Ethernet port 1/1:

```
Router# configure terminal
Enter configuration commands, one per line. End with CNTL/Z.
Router(config)# interface gigabitethernet 1/1
Router(config-if)# wrr-queue random-detect max-threshold 1 70 70
Router(config-if)# end
Router#
```

This example shows how to verify the configuration:

```
Router# show queueing interface gigabitethernet 1/1 | begin Transmit queues
Transmit queues [type = 1p2q2t]:
  Queue Id      Scheduling  Num of thresholds
  -----
      1          WRR low           2
      2          WRR high          2
      3          Priority           1

  queue random-detect-max-thresholds
  -----
      1      40[1] 70[2]
      2      40[1] 70[2]
<...Output Truncated...>
Router#
```

Configuring 1q4t/2q2t Tail-Drop Threshold Percentages

On **1q4t/2q2t** ports, the receive- and transmit-queue drop thresholds have this relationship:

- Receive queue 1 (standard) threshold 1 = transmit queue 1 (standard low priority) threshold 1
- Receive queue 1 (standard) threshold 2 = transmit queue 1 (standard low priority) threshold 2
- Receive queue 1 (standard) threshold 3 = transmit queue 2 (standard high priority) threshold 1
- Receive queue 1 (standard) threshold 4 = transmit queue 2 (standard high priority) threshold 2

To configure tail-drop threshold percentages for the standard receive and transmit queues on **1q4t/2q2t** LAN ports, perform this task:

	Command	Purpose
Step 1	Router(config)# interface { ethernet fastethernet gigabitethernet } <i>slot/port</i>	Selects the interface to configure.
Step 2	Router(config-if)# wrr-queue threshold <i>queue_id</i> <i>thr1%</i> <i>thr2%</i>	Configures the receive- and transmit-queue tail-drop thresholds.
Step 3	Router(config-if)# end	Exits configuration mode.
Step 4	Router# show queueing interface { ethernet fastethernet gigabitethernet } <i>slot/port</i>	Verifies the configuration.

When configuring the receive- and transmit-queue tail-drop thresholds, note the following information:

- You must use the transmit queue and threshold numbers.
- The *queue_id* is 1 for the standard low-priority queue and 2 for the standard high-priority queue.
- The percentages range from 1 to 100. A value of 10 indicates a threshold when the buffer is 10-percent full.
- Always set threshold 2 to 100 percent.
- Ethernet and Fast Ethernet **1q4t** ports do not support receive-queue tail-drop thresholds.

This example shows how to configure receive queue 1/threshold 1 and transmit queue 1/threshold 1 for Gigabit Ethernet port 2/1:

```
Router# configure terminal
Enter configuration commands, one per line. End with CNTL/Z.
Router(config)# interface gigabitethernet 2/1
Router(config-if)# wrr-queue threshold 1 60 100
Router(config-if)# end
Router#
```

This example shows how to verify the configuration:

```
Router# show queueing interface gigabitethernet 2/1
  Transmit queues [type = 2q2t]:

<...Output Truncated...>

queue tail-drop-thresholds
-----
 1      60[1] 100[2]
 2      40[1] 100[2]

<...Output Truncated...>

Receive queues [type = 1q4t]:
```

```
<...Output Truncated...>
queue tail-drop-thresholds
-----
      1      60[1] 100[2] 40[3] 100[4]
<...Output Truncated...>
Router#
```

Mapping QoS Labels to Queues and Drop Thresholds

These sections describe how to map QoS labels to queues and drop thresholds:



Note

Enter the **show queueing interface { ethernet | fastethernet | gigabitethernet | tengigabitethernet } slot/port | include type** command to see the queue structure of a port.

These sections describe how to map QoS labels to queues and drop thresholds:

- [Queue and Drop Threshold Mapping Guidelines and Restrictions, page 43-100](#)
- [Configuring DSCP-Based Queue Mapping, page 43-101](#)
- [Configuring CoS-Based Queue Mapping, page 43-105](#)

Queue and Drop Threshold Mapping Guidelines and Restrictions

When mapping QoS labels to queues and thresholds, note the following information:

- When **SRR** is enabled, you cannot map any CoS values or DSCP values to strict-priority queues.
- Queue number 1 is the lowest-priority standard queue.
- Higher-numbered queues are higher priority standard queues.
- You can map up to 8 CoS values to a threshold.
- You can map up to 64 DSCP values to a threshold.
- Threshold 0 is a nonconfigurable 100-percent tail-drop threshold on these port types:
 - **1p1q0t** (receive)
 - **1p1q8t** (receive)
 - **1p3q1t** (transmit)
 - **1p2q1t** (transmit)
- The standard queue thresholds can be configured as either tail-drop or WRED-drop thresholds on these port types:
 - **1p1q8t** (receive)
 - **1p3q1t** (transmit)
 - **1p3q8t** (transmit)
 - **1p7q1t** (transmit)

Configuring DSCP-Based Queue Mapping

These sections describe how to configure DSCP-based queue mapping:

- [Configuring Ingress DSCP-Based Queue Mapping, page 43-101](#)
- [Mapping DSCP Values to Standard Transmit-Queue Thresholds, page 43-103](#)
- [Mapping DSCP Values to the Transmit Strict-Priority Queue, page 43-105](#)



Note

- DSCP-based queue mapping is supported on WS-X6708-10GE, WS-X6716-10GE, WS-X6716-10T, and Supervisor Engine 720-10GE ports.
- To configure DSCP-based queue mapping on Supervisor Engine 720-10GE ports, you must enter **shutdown** interface configuration mode commands for the Supervisor Engine 720-10GE Gigabit Ethernet ports, and then enter the **mls qos 10g-only** global configuration command, which disables the Gigabit Ethernet ports on the Supervisor Engine 720-10GE.

Enabling DSCP-Based Queue Mapping

To enable DSCP-based queue mapping, perform this task:

	Command	Purpose
Step 1	Router(config)# interface tengigabitethernet <i>slot/port</i>	Selects the interface to configure.
Step 2	Router(config-if)# mls qos queue-mode mode-dscp	Enables DSCP-based queue mapping.
Step 3	Router(config-if)# end	Exits configuration mode.
Step 4	Router# show queueing interface tengigabitethernet <i>slot/port</i> include Queueing Mode	Verifies the configuration.

This example shows how to enable DSCP-based queue mapping on 10-Gigabit Ethernet port 6/1:

```
Router# configure terminal
Enter configuration commands, one per line. End with CNTL/Z.
Router(config)# interface tengigabitethernet 6/1
Router(config-if)# mls qos queue-mode mode-dscp
Router(config-if)# end
```

This example shows how to verify the configuration:

```
Router# show queueing interface tengigabitethernet 6/1 | include Queueing Mode
Queueing Mode In Tx direction: mode-dscp
Queueing Mode In Rx direction: mode-dscp
```

Configuring Ingress DSCP-Based Queue Mapping

Ingress DSCP-to-queue mapping is supported only on ports configured to trust DSCP.

These sections describe how to configure ingress DSCP-based queue mapping:

- [Enabling DSCP-Based Queue Mapping, page 43-101](#)
- [Mapping DSCP Values to Standard Receive-Queue Thresholds, page 43-102](#)

Configuring the Port to Trust DSCP

To configure the port to trust DSCP perform this task:

	Command	Purpose
Step 1	Router(config)# interface tengigabitethernet <i>slot/port</i>	Selects the interface to configure.
Step 2	Router(config-if)# mls qos trust dscp	Configures the port to trust received DSCP values.
Step 3	Router(config-if)# end	Exits configuration mode.
Step 4	Router# show queueing interface tengigabitethernet <i>slot/port</i> include Trust state	Verifies the configuration.

This example shows how to configure 10-Gigabit Ethernet port 6/1 to trust received DSCP values:

```
Router# configure terminal
Enter configuration commands, one per line. End with CNTL/Z.
Router(config)# interface gigabitethernet 6/1
Router(config-if)# mls qos trust dscp
Router(config-if)# end
Router#
```

This example shows how to verify the configuration:

```
Router# show queueing interface gigabitethernet 6/1 | include Trust state
Trust state: trust DSCP
```

Mapping DSCP Values to Standard Receive-Queue Thresholds

To map DSCP values to the standard receive-queue thresholds, perform this task:

	Command	Purpose
Step 1	Router(config)# interface tengigabitethernet <i>slot/port</i>	Selects the interface to configure.
Step 2	Router(config-if)# rcv-queue dscp-map <i>queue_#</i> <i>threshold_# dscp1 [dscp2 [dscp3 [dscp4 [dscp5</i> <i>[dscp6 [dscp7 [dscp8]]]]]]]</i>	Maps DSCP values to the standard receive queue thresholds.
Step 3	Router(config-if)# end	Exits configuration mode.
Step 4	Router# show queueing interface tengigabitethernet <i>slot/port</i>	Verifies the configuration.

When mapping DSCP values, note the following information:

- You can enter up to 8 DSCP values that map to a queue and threshold.
- You can enter multiple commands to map additional DSCP values to the queue and threshold.
- You must enter a separate command for each queue and threshold.

This example shows how to map the DSCP values 0 and 1 to threshold 1 in the standard receive queue for 10-Gigabit Ethernet port 6/1:

```
Router# configure terminal
Enter configuration commands, one per line. End with CNTL/Z.
Router(config)# interface tengigabitethernet 6/1
Router(config-if)# rcv-queue dscp-map 1 1 0 1
Router(config-if)# end
Router#
```

**Note**

The receive queue mapping is shown in the second “queue thresh dscp-map” displayed by the **show queueing interface** command.

This example shows how to verify the configuration:

```
Router# show queueing interface tengigabitethernet 1/1 | begin queue thresh dscp-map
<...Output Truncated...>
queue thresh dscp-map
-----
 1      1      0-9 11 13-17 19 21-25 27 29-39 48-63
 1      2      12 20 28
 1      3      10 18 26
 1      4
 2      1
 2      2
 2      3
 2      4
 3      1
 3      2
 3      3
 3      4
 4      1
 4      2
 4      3
 4      4
 5      1
 5      2
 5      3
 5      4
 6      1
 6      2
 6      3
 6      4
 7      1
 7      2
 7      3
 7      4
 8      1      40-47
 8      2
 8      3
 8      4
<...Output Truncated...>
Router#
```

Mapping DSCP Values to Standard Transmit-Queue Thresholds

To map DSCP values to standard transmit-queue thresholds, perform this task:

	Command	Purpose
Step 1	Router(config)# interface tengigabitethernet <i>slot/port</i>	Selects the interface to configure.
Step 2	Router(config-if)# wrr-queue dscp-map <i>transmit_queue_# threshold_# dscp1 [dscp2 [dscp3</i> <i>[dscp4 [dscp5 [dscp6 [dscp7 [dscp8]]]]]]]</i>	Maps DSCP values to a standard transmit-queue threshold.
Step 3	Router(config-if)# end	Exits configuration mode.
Step 4	Router# show queueing interface tengigabitethernet <i>slot/port</i>	Verifies the configuration.

When mapping DSCP values, note the following information:

- You can enter up to 8 DSCP values that map to a queue and threshold.
- You can enter multiple commands to map additional DSCP values to the queue and threshold.
- You must enter a separate command for each queue and threshold.

This example shows how to map the DSCP values 0 and 1 to standard transmit queue 1/threshold 1 for 10-Gigabit Ethernet port 6/1:

```
Router# configure terminal
Enter configuration commands, one per line. End with CNTL/Z.
Router(config)# interface tengigabitethernet 6/1
Router(config-if)# wrr-queue dscp-map 1 1 0 1
Router(config-if)# end
Router#
```


Note

The eighth queue is the strict priority queue in the output of the **show queueing interface** command.

This example shows how to verify the configuration:

```
Router# show queueing interface tengigabitethernet 6/1 | begin queue thresh dscp-map
queue thresh dscp-map
-----
1      1      0 1 2 3 4 5 6 7 8 9 11 13 15 16 17 19 21 23 25 27 29 31 33 39 41 42 43 44 45
47
1      2
1      3
1      4
2      1      14
2      2      12
2      3      10
2      4
3      1      22
3      2      20
3      3      18
3      4
4      1      24 30
4      2      28
4      3      26
4      4
5      1      32 34 35 36 37 38
5      2
5      3
5      4
6      1      48 49 50 51 52 53 54 55 56 57 58 59 60 61 62 63
6      2
6      3
6      4
7      1
7      2
7      3
7      4
8      1      40 46
<...Output Truncated...>
Router#
```

Mapping DSCP Values to the Transmit Strict-Priority Queue

To map DSCP values to the transmit strict-priority queue, perform this task:

	Command	Purpose
Step 1	Router(config)# interface tengigabitethernet <i>slot/port</i>	Selects the interface to configure.
Step 2	Router(config-if)# priority-queue dscp-map <i>queue_# dscp1 [dscp2 [dscp3 [dscp4 [dscp5 [dscp6</i> <i>[dscp7 [dscp8]]]]]]]</i>	Maps DSCP values to the transmit strict-priority queue. You can enter multiple priority-queue dscp-map commands to map more than 8 DSCP values to the strict-priority queue.
Step 3	Router(config-if)# end	Exits configuration mode.
Step 4	Router# show queueing interface tengigabitethernet <i>slot/port</i>	Verifies the configuration.

When mapping DSCP values to the strict-priority queue, note the following information:

- The queue number is always 1.
- You can enter up to 8 DSCP values to map to the queue.
- You can enter multiple commands to map additional DSCP values to the queue.

This example shows how to map DSCP value 7 to the strict-priority queue on 10 Gigabit Ethernet port 6/1:

```
Router# configure terminal
Enter configuration commands, one per line. End with CNTL/Z.
Router(config)# interface tengigabitethernet 6/1
Router(config-if)# priority-queue dscp-map 1 7
Router(config-if)# end
Router#
```



Note

The strict priority queue is queue 8 in the output of the **show queueing interface** command.

This example shows how to verify the configuration:

```
Router# show queueing interface tengigabitethernet 6/1 | begin queue thresh dscp-map
queue thresh dscp-map
-----
<...Output Truncated...>
      8      1      7 40 46
<...Output Truncated...>
Router#
```

Configuring CoS-Based Queue Mapping

These sections describe how to configure CoS-based queue mapping:

- [Mapping CoS Values to Standard Receive-Queue Thresholds](#), page 43-106
- [Mapping CoS Values to Standard Transmit-Queue Thresholds](#), page 43-106
- [Mapping CoS Values to Strict-Priority Queues](#), page 43-107
- [Mapping CoS Values to Tail-Drop Thresholds on 1q4t/2q2t LAN Ports](#), page 43-108

Mapping CoS Values to Standard Receive-Queue Thresholds

To map CoS values to the standard receive-queue thresholds, perform this task:

	Command	Purpose
Step 1	Router(config)# interface <i>type</i> ¹ <i>slot/port</i>	Selects the interface to configure.
Step 2	Router(config-if)# rcv-queue cos-map <i>queue_#</i> <i>threshold_#</i> <i>cos1</i> [<i>cos2</i> [<i>cos3</i> [<i>cos4</i> [<i>cos5</i> [<i>cos6</i> [<i>cos7</i> [<i>cos8</i>]]]]]]]	Maps CoS values to the standard receive queue thresholds.
Step 3	Router(config-if)# end	Exits configuration mode.
Step 4	Router# show queueing interface <i>type</i> ¹ <i>slot/port</i>	Verifies the configuration.

1. *type* = fastethernet, gigabitethernet, or tengigabitethernet

This example shows how to map the CoS values 0 and 1 to threshold 1 in the standard receive queue for Gigabit Ethernet port 1/1:

```
Router# configure terminal
Enter configuration commands, one per line. End with CNTL/Z.
Router(config)# interface gigabitethernet 1/1
Router(config-if)# rcv-queue cos-map 1 1 0 1
Router(config-if)# end
Router#
```

This example shows how to verify the configuration:

```
Router# show queueing interface gigabitethernet 1/1
<...Output Truncated...>
  queue thresh cos-map
  -----
  1      1      0 1
  1      2      2 3
  1      3      4 5
  1      4      6 7
<...Output Truncated...>
Router#
```

Mapping CoS Values to Standard Transmit-Queue Thresholds

To map CoS values to standard transmit-queue thresholds, perform this task:

	Command	Purpose
Step 1	Router(config)# interface <i>type</i> ¹ <i>slot/port</i>	Selects the interface to configure.
Step 2	Router(config-if)# wrr-queue cos-map <i>transmit_queue_#</i> <i>threshold_#</i> <i>cos1</i> [<i>cos2</i> [<i>cos3</i> [<i>cos4</i> [<i>cos5</i> [<i>cos6</i> [<i>cos7</i> [<i>cos8</i>]]]]]]]	Maps CoS values to a standard transmit-queue threshold.
Step 3	Router(config-if)# end	Exits configuration mode.
Step 4	Router# show queueing interface <i>type</i> ¹ <i>slot/port</i>	Verifies the configuration.

1. *type* = fastethernet, gigabitethernet, or tengigabitethernet

This example shows how to map the CoS values 0 and 1 to standard transmit queue 1/threshold 1 for Fast Ethernet port 5/36:

```
Router# configure terminal
```

```

Enter configuration commands, one per line. End with CNTL/Z.
Router(config)# interface fastethernet 5/36
Router(config-if)# wrr-queue cos-map 1 1 0 1
Router(config-if)# end
Router#

```

This example shows how to verify the configuration:

```

Router# show queueing interface fastethernet 5/36 | begin queue thresh cos-map
queue thresh cos-map
-----
1      1      0 1
1      2      2 3
2      1      4 5
2      2      6 7
<...Output Truncated...>
Router#

```

Mapping CoS Values to Strict-Priority Queues

To map CoS values to the receive and transmit strict-priority queues, perform this task:

	Command	Purpose
Step 1	Router(config)# interface <i>type</i> ¹ <i>slot/port</i>	Selects the interface to configure.
Step 2	Router(config-if)# priority-queue cos-map <i>queue_#</i> <i>cos1</i> [<i>cos2</i> [<i>cos3</i> [<i>cos4</i> [<i>cos5</i> [<i>cos6</i> [<i>cos7</i> [<i>cos8</i>]]]]]]]]]	Maps CoS values to the receive and transmit strict-priority queues.
Step 3	Router(config-if)# end	Exits configuration mode.
Step 4	Router# show queueing interface <i>type</i> ¹ <i>slot/port</i>	Verifies the configuration.

1. *type* = fastethernet, gigabitethernet, or tengigabitethernet

When mapping CoS values to the strict-priority queues, note the following information:

- The queue number is always 1.
- You can enter up to 8 CoS values to map to the queue.
- When used, the **priority-queue cos-map** command changes both ingress and egress priority queue CoS mapping.

This example shows how to map CoS value 7 to the strict-priority queues on Gigabit Ethernet port 1/1:

```

Router# configure terminal
Enter configuration commands, one per line. End with CNTL/Z.
Router(config)# interface gigabitethernet 1/1
Router(config-if)# priority-queue cos-map 1 7
Router(config-if)# end
Router#

```

This example shows how to verify the configuration:

```

Router# show queueing interface gigabitethernet 1/1
<...Output Truncated...>
Transmit queues [type = 1p2q2t]:
<...Output Truncated...>
queue thresh cos-map
-----
1      1      0 1
1      2      2 3
2      1      4

```

```

      2      2      6
      3      1      5 7

Receive queues [type = 1p1q4t]:
<...Output Truncated...>
  queue thresh cos-map
-----
  1      1      0 1
  1      2      2 3
  1      3      4 6
  1      4      7
  2      1      5
<...Output Truncated...>
Router#

```

Mapping CoS Values to Tail-Drop Thresholds on 1q4t/2q2t LAN Ports



Note

Enter the **show queueing interface** { **ethernet** | **fastethernet** | **gigabitethernet** | **tengigabitethernet** } *slot/port* | **include type** command to see the queue structure of a port.

On **1q4t/2q2t** LAN ports, the receive- and transmit-queue tail-drop thresholds have this relationship:

- Receive queue 1 (standard) threshold 1 = transmit queue 1 (standard low priority) threshold 1
- Receive queue 1 (standard) threshold 2 = transmit queue 1 (standard low priority) threshold 2
- Receive queue 1 (standard) threshold 3 = transmit queue 2 (standard high priority) threshold 1
- Receive queue 1 (standard) threshold 4 = transmit queue 2 (standard high priority) threshold 2

To map CoS values to tail-drop thresholds, perform this task:

	Command	Purpose
Step 1	Router(config)# interface <i>type</i> ¹ <i>slot/port</i>	Selects the interface to configure.
Step 2	Router(config-if)# wrr-queue cos-map transmit_queue_# threshold_# cos1 [<i>cos2</i> [<i>cos3</i> [<i>cos4</i> [<i>cos5</i> [<i>cos6</i> [<i>cos7</i> [<i>cos8</i>]]]]]]]	Maps CoS values to a tail-drop threshold.
Step 3	Router(config-if)# end	Exits configuration mode.
Step 4	Router# show queueing interface <i>type</i> ¹ <i>slot/port</i>	Verifies the configuration.

1. *type* = **fastethernet**, **gigabitethernet**, or **tengigabitethernet**

When mapping CoS values to a tail-drop threshold, note the following information:

- Use the transmit queue and threshold numbers.
- Queue 1 is the low-priority standard transmit queue.
- Queue 2 is the high-priority standard transmit queue.
- There are two thresholds in each queue.
- Enter up to 8 CoS values to map to the threshold.

This example shows how to map the CoS values 0 and 1 to standard transmit queue 1/threshold 1 for Fast Ethernet port 5/36:

```

Router# configure terminal
Enter configuration commands, one per line. End with CNTL/Z.
Router(config)# interface fastethernet 5/36

```

```
Router(config-if)# wrr-queue cos-map 1 1 0 1
Router(config-if)# end
Router#
```

This example shows how to verify the configuration:

```
Router# show queueing interface fastethernet 5/36 | begin queue thresh cos-map
queue thresh cos-map
-----
1      1      0 1
1      2      2 3
2      1      4 5
2      2      6 7
<...Output Truncated...>
Router#
```

Allocating Bandwidth Between Standard Transmit Queues

The switch transmits frames from one standard queue at a time using one of these dequeuing algorithms, which use percentages or weights to allocate relative bandwidth to the queues as they are serviced sequentially:

- Shaped round robin (SRR)—SRR allows a queue to use only the allocated bandwidth. Supported as an option on **1p3q8t** ports and on **1p7q4t** ports.
- Deficit weighted round robin (DWRR)—DWRR keeps track of any lower-priority queue under-transmission caused by traffic in a higher-priority queue and compensates in the next round. DWRR is the dequeuing algorithm on **1p3q1t**, **1p2q1t**, **1p3q8t**, **1p7q4t**, and **1p7q8t** ports.



Note You configure DWRR ports with the same commands that you use on WRR ports.

- Weighted round robin (WRR)—WRR allows a queue to use more than the allocated bandwidth if the other queues are not using any, up to the total bandwidth of the port. WRR is the dequeuing algorithm on all other ports.
- See the “[Module to Queue Type Mappings](#)” section on page 43-24 for information about the modules that support these algorithms.

You can enter percentages or weights to allocate bandwidth. The higher the percentage or weight that is assigned to a queue, the more transmit bandwidth is allocated to it. If you enter weights, the ratio of the weights divides the total bandwidth of the queue. For example, for three queues on a Gigabit Ethernet port, weights of 25:25:50 provide this division:

- Queue 1—250 Mbps
- Queue 2—250 Mbps
- Queue 3—500 Mbps



Note

The actual bandwidth allocation depends on the granularity that the port hardware applies to the configured percentages or weights.

To allocate bandwidth between standard transmit queues, perform this task:

	Command	Purpose
Step 1	Router(config)# interface <i>type</i> ¹ <i>slot/port</i>	Selects the interface to configure.
Step 2	Router(config-if)# wrr-queue [bandwidth shape] percent <i>low_priority_queue_percentage</i> [<i>intermediate_priority_queue_percentages</i>] <i>high_priority_queue_percentage</i> Or: Router(config-if)# wrr-queue [bandwidth shape] <i>low_priority_queue_weight</i> [<i>intermediate_priority_queue_weights</i>] <i>high_priority_queue_weight</i>	Allocates bandwidth between standard transmit queues: <ul style="list-style-type: none"> • Enter the bandwidth keyword to configure DWRR or WRR. • Enter the shape keyword to configure SRR. Use of SRR prevents use of the strict priority queue. To configure SRR, any CoS or DSCP values mapped to a strict-priority queue must be remapped to a standard queue (see the “Mapping QoS Labels to Queues and Drop Thresholds” section on page 43-100). • Percentages should add up to 100. You must enter percentages for all the standard transmit queues on the port. • The valid values for weight range from 1 to 255. You must enter weights for all the standard transmit queues on the port.
Step 3	Router(config-if)# end	Exits configuration mode.
Step 4	Router# show queueing interface <i>type</i> ¹ <i>slot/port</i>	Verifies the configuration.

1. *type* = fastethernet, gigabitethernet, or tengigabitethernet

This example shows how to allocate a 3-to-1 bandwidth ratio for Gigabit Ethernet port 1/2:

```
Router# configure terminal
Enter configuration commands, one per line. End with CNTL/Z.
Router(config)# interface gigabitethernet 1/2
Router(config-if)# wrr-queue bandwidth 3 1
Router(config-if)# end
Router#
```

This example shows how to verify the configuration:

```
Router# show queueing interface gigabitethernet 1/2 | include bandwidth
WRR bandwidth ratios:    3[queue 1]    1[queue 2]
Router#
```

Setting the Receive-Queue Size Ratio

You can set the size ratio between the standard receive queues on **2q8t**, **8q4t**, and **8q8t** ports and between the strict-priority and standard receive queues on **1p1q0t** or **1p1q8t** ports.

To set the size ratio between the receive queues, perform this task:

	Command	Purpose
Step 1	Router(config)# interface { fastethernet tengigabitethernet } <i>slot/port</i>	Selects the interface to configure.
Step 2	Router(config-if)# rcv-queue queue-limit <i>low_priority_queue_weight</i> [<i>intermediate_priority_queue_weights</i>] <i>high_priority_queue_weight</i> Or: Router(config-if)# rcv-queue queue-limit <i>standard_queue_weight</i> <i>strict_priority_queue_weight</i>	Sets the size ratio between the receive queues.
Step 3	Router(config-if)# end	Exits configuration mode.
Step 4	Router# show queueing interface { fastethernet tengigabitethernet } <i>slot/port</i>	Verifies the configuration.

When setting the receive-queue size ratio, note the following information:

- The **rcv-queue queue-limit** command configures ports on a per-ASIC basis.
- Estimate the mix of differing priority traffic on your network (for example, 80 percent standard traffic and 20 percent strict-priority traffic).
- Use the estimated percentages as queue weights.
- Valid values are from 1 to 100 percent, except on **1p1q8t** ports, where valid values for the strict priority queue are from 3 to 100 percent.

This example shows how to set the receive-queue size ratio for Fast Ethernet port 2/2:

```
Router# configure terminal
Enter configuration commands, one per line. End with CNTL/Z.
Router(config)# interface fastethernet 2/2
Router(config-if)# rcv-queue queue-limit 75 15
Router(config-if)# end
Router#
```

This example shows how to verify the configuration:

```
Router# show queueing interface fastethernet 2/2 | include queue-limit
queue-limit ratios:      75[queue 1] 15[queue 2]
Router#
```

Configuring the Transmit-Queue Size Ratio

To configure the transmit-queue size ratio, perform this task:

	Command	Purpose
Step 1	Router(config)# interface <i>type</i> ¹ <i>slot/port</i>	Selects the interface to configure.
Step 2	Router(config-if)# wrr-queue queue-limit <i>low_priority_queue_weight</i> [<i>intermediate_priority_queue_weights</i>] <i>high_priority_queue_weight</i>	Configures the queue size ratio between transmit queues.
Step 3	Router(config-if)# priority-queue queue-limit <i>strict_priority_queue_weight</i>	Configures the strict priority queue size. Note Not supported on all switching modules.
Step 4	Router(config-if)# end	Exits configuration mode.
Step 5	Router# show queueing interface <i>type</i> ¹ <i>slot/port</i>	Verifies the configuration.

1. *type* = fastethernet, gigabitethernet, or tengigabitethernet

When configuring the transmit-queue size ratio between transmit queues, note the following information:

- The **wrr-queue queue-limit** command is not supported on **1p3q1t** ports.
- For ports that have an egress strict priority queue:
 - You can enter the **priority-queue queue-limit** interface command to set the size of the egress strict priority queue on these switching modules:
 - WS-X6502-10GE (**1p2q1t**)
 - WS-X6148A-GE-TX (**1p3q8t**)
 - WS-X6148-RJ-45 (**1p3q8t**)
 - WS-X6148-FE-SFP (**1p3q8t**)
 - WS-X6748-SFP (**1p3q8t**)
 - WS-X6724-SFP (**1p3q8t**)
 - WS-X6748-GE-TX (**1p3q8t**)
 - WS-X6704-10GE (**1p7q8t**)
 - WS-SUP32-10GE-3B (**1p3q8t**)
 - WS-SUP32-GE-3B (**1p3q8t**)
 - WS-X6708-10GE, WS-X6716-10GE, WS-X6716-10T, and Supervisor Engine 720-10GE (**1p7q4t**)
- Estimate the mix of low priority-to-high priority traffic on your network (for example, 80 percent low-priority traffic and 20 percent high-priority traffic).
- Use the estimated percentages as queue weights.
- You must enter weights for all the standard transmit queues on the interface (2, 3, or 7 weights).
- Valid values are from 1 to 100 percent, except on **1p2q1t** egress LAN ports, where valid values for the high priority queue are from 5 to 100 percent.

This example shows how to set the transmit-queue size ratio for Gigabit Ethernet port 1/2:

```
Router# configure terminal
Enter configuration commands, one per line. End with CNTL/Z.
Router(config)# interface gigabitethernet 1/2
Router(config-if)# wrr-queue queue-limit 75 15
Router(config-if)# end
```

```
Router#
```

This example shows how to verify the configuration:

```
Router# show queueing interface gigabitethernet 1/2 | include queue-limit
queue-limit ratios:      75[queue 1] 25[queue 2]
Router#
```

Common QoS Scenarios

This section provides sample configurations for some common QoS scenarios. If you already know how to configure PFC QoS for your network or if you need specific configuration information, see the other sections of this chapter.

The scenarios in this section are based on a sample network that is described in the [“Sample Network Design Overview”](#) section on page 43-113. This section uses this sample network to describe some regularly used QoS configurations.

These sections describe some common QoS scenarios:

- [Sample Network Design Overview, page 43-113](#)
- [Classifying Traffic from PCs and IP Phones in the Access Layer, page 43-114](#)
- [Accepting the Traffic Priority Value on Interswitch Links, page 43-117](#)
- [Prioritizing Traffic on Interswitch Links, page 43-118](#)
- [Using Policers to Limit the Amount of Traffic from a PC, page 43-121](#)

Sample Network Design Overview

This sample network is based on a traditional campus network architecture that uses Catalyst 6500 series switches in the access, distribution, and core layers. The access layer provides 10/100 Ethernet service to desktop users. The network has Gigabit Ethernet links from the access layer to the distribution layer and Gigabit or 10-Gigabit Ethernet links from the distribution layer to the core layer.

This is the basic port configuration:

Access Layer

```
switchport mode access
switchport access vlan 10
switchport voice vlan 110
```

Distribution and Core Interswitch Links

```
switchport mode trunk
```

These are the three traffic classes in the sample network:

- Voice
- High-priority application traffic
- Best-effort traffic

The QoS configuration described in this section identifies and prioritizes each of these traffic classes.

**Note**

If your network requires more service levels, PFC QoS supports up to 64 traffic classes.

These QoS scenarios describe the following three fundamental QoS configurations, which are often a general part of QoS deployment:

- Classifying traffic from PCs and IP phones in the access layer
- Accepting the traffic priority value on interswitch links between layers
- Prioritizing traffic on interswitch links between layers

These QoS scenarios assume that the network carries only IP traffic and use the IP DSCP values to assign traffic priority. These QoS scenarios do not directly use IP type of service (ToS) or Ethernet 802.1p class of service (CoS).

IP packets can carry a priority value, which can be set at various points within the network topology. Best-practice design recommendations are to classify and mark traffic as close to the source of the traffic as possible. If traffic priorities are set correctly at the edge, then intermediate hops do not have to perform detailed traffic identification. Instead, they can administer QoS policies based on these previously set priority values. This approach simplifies policy administration.

**Note**

-
- You should develop a QoS deployment strategy for assigning packet priorities to your particular network traffic types and applications. For more information on QoS guidelines, see RFC 2597 and RFC 2598 as well as the various QoS design guides published by Cisco Systems, Inc.
 - Do not enable PFC QoS globally and leave all other PFC QoS configuration at default values. When you enable PFC QoS globally, it uses its default values. These are two problems that exist with the PFC QoS default configuration:
 - With PFC QoS globally enabled, the default trust state of the Ethernet ports in the system is untrusted. The untrusted port state sets the QoS priority of all traffic flowing through the switch to the **port CoS** value (zero by default): all traffic will be zero-priority traffic.
 - With PFC QoS globally enabled, the port buffers are allocated into CoS-based queues and only part of the buffer is available for zero-priority traffic: zero-priority traffic has less buffer available than when PFC QoS is disabled.

These problems with the PFC QoS default configuration can have a negative effect on network performance.

Classifying Traffic from PCs and IP Phones in the Access Layer

The access layer switches have a PC daisy-chained to an IP phone on a 100 Mbps link. This section describes how to classify voice traffic from the phone and data traffic from the PC so that they have different priorities.

This is the QoS classification scheme for the traffic arriving on an access layer port:

- Voice traffic: DSCP 46 (highest priority)
- Voice signaling traffic: DSCP 24 (medium priority)
- PC SAP traffic: DSCP 25 (medium priority)
- All other PC traffic: DSCP 0 (best effort)

This classification strategy provides a way to support three different classes of service on the network:

- High priority for voice traffic
- Medium priority for voice signaling and important application traffic
- Low priority for the remaining traffic

You can alter this model to fit other network environments.

PFC QoS can trust received priorities or assign new priorities by applying a QoS policy to the traffic. You configure a QoS policy using the Modular QoS CLI (MQC). In the access switches, the traffic is identified using ACLs, which differentiate the various traffic types entering the port. Once identified, a QoS policy marks the traffic with the appropriate DSCP value. These assigned DSCP values will be trusted when the traffic enters the distribution and core switches.

The port on the access switch where the phone and PC are attached has been configured for a voice VLAN (VLAN 110), which is used to separate the phone traffic (subnet 10.1.110.0/24) from the PC traffic (10.1.10.0/24). The voice VLAN subnet uniquely identifies the voice traffic. The UDP and TCP port numbers identify the different applications.

This is the access port access control list (ACL) configuration:

Identify the Voice Traffic from an IP Phone (VVLAN)

```
ip access-list extended CLASSIFY-VOICE
    permit udp 10.1.110.0 0.0.0.255 any range 16384 32767
```

Identify the Voice Signaling Traffic from an IP Phone (VVLAN)

```
ip access-list extended CLASSIFY-VOICE-SIGNAL
    permit udp 10.1.110.0 0.0.0.255 any range 2000 2002
```

Identify the SAP Traffic from the PC (DVLAN)

```
ip access-list extended CLASSIFY-PC-SAP
    permit tcp 10.1.10.0 0.0.0.255 any range 3200 3203
    permit tcp 10.1.10.0 0.0.0.255 any eq 3600 any
```

```
ip access-list extended CLASSIFY-OTHER
    permit ip any any
```

The next step in configuring the QoS policy is to define the class maps. These class maps associate the identifying ACLs with the QoS actions that you want to perform (marking, in this case). This is the syntax for the class maps:

```
class-map match-all CLASSIFY-VOICE
    match access-group name CLASSIFY-VOICE
class-map match-all CLASSIFY-VOICE-SIGNAL
    match access-group name CLASSIFY-VOICE-SIGNAL
class-map match-all CLASSIFY-PC-SAP
    match access-group name CLASSIFY-PC-SAP
class-map match-all CLASSIFY-OTHER
    match access-group name CLASSIFY-OTHER
```

After you create the class maps, create a policy map that defines the action of the QoS policy so that it sets a particular DSCP value for each traffic type or traffic class. This example creates one policy map (called IPPHONE-PC), and all the class maps are included in that single policy map, with an action defined in each class map. This is the syntax for the policy map and class maps:

```
policy-map IPPHONE-PC
    class CLASSIFY-VOICE
        set dscp ef
    class CLASSIFY-VOICE-SIGNAL
```

```

    set dscp cs3
class CLASSIFY-PC-SAP
    set dscp 25
class CLASSIFY-OTHER
    set dscp 0

```

At this point, the QoS policy defined in the policy map still has not taken effect. After you configure a policy map, you must apply it to an interface for it to affect traffic. You use the **service-policy** command to apply the policy map. Remember that an input service policy can be applied to either a port or to VLAN interfaces, but that an output service policy can only be applied to VLAN interfaces (only the PFC3 supports output policies). In this example, you apply the policy as an input service-policy to each interface that has a PC and IP phone attached. This example uses port-based QoS, which is the default for Ethernet ports.

```

interface FastEthernet5/1
    service-policy input IPPHONE-PC

```

A QoS policy now has been successfully configured to classify the traffic coming in from both an IP phone and a PC.

To ensure that the policy maps are configured properly, enter this command:

```

Router# show policy-map interface fastethernet 5/1
FastEthernet5/1

Service-policy input:IPPHONE-PC

  class-map:CLASSIFY-VOICE (match-all)
    Match:access-group name CLASSIFY-VOICE
    set dscp 46:

  class-map:CLASSIFY-PC-SAP (match-all)
    Match:access-group name CLASSIFY-PC-SAP
    set dscp 25:

  class-map:CLASSIFY-OTHER (match-all)
    Match:access-group name CLASSIFY-OTHER
    set dscp 0:

  class-map:CLASSIFY-VOICE-SIGNAL (match-all)
    Match:access-group name CLASSIFY-VOICE-SIGNAL
    set dscp 24:

```

To ensure that the port is using the correct QoS mode, enter this command:

```

Router# show queueing interface gigabitethernet 5/1 | include Port QoS
Port QoS is enabled

```

To ensure that the class map configuration is correct, enter this command:

```

Router# show class-map
Class Map match-all CLASSIFY-OTHER (id 1)
  Match access-group name CLASSIFY-OTHER

Class Map match-any class-default (id 0)
  Match any

Class Map match-all CLASSIFY-PC-SAP (id 2)
  Match access-group name CLASSIFY-PC-SAP

Class Map match-all CLASSIFY-VOICE-SIGNAL (id 4)
  Match access-group name CLASSIFY-VOICE-SIGNAL

Class Map match-all CLASSIFY-VOICE (id 5)
  Match access-group name CLASSIFY-VOICE

```

To monitor the byte statistics for each traffic class, enter this command:

```
Router# show mls qos ip gig 5/1
[In] Policy map is IPPHONE-PC [Out] Default.
QoS Summary [IP]: (* - shared aggregates, Mod - switch module)

      Int Mod Dir  Class-map DSCP  Agg  Trust Fl  AgForward-By  AgPoliced-By
              Id              Id      Id
-----
Gi5/1  5  In  CLASSIFY-V  46   1   No  0           0  0
Gi5/1  5  In  CLASSIFY-V  24   2   No  0           0  0
Gi5/1  5  In  CLASSIFY-O   0   3   No  0           0  0
Gi5/1  5  In  CLASSIFY-P  25   4   No  0           0  0
Router#
```

Accepting the Traffic Priority Value on Interswitch Links

The previous section described how to configure the marking operation. This section describes how the upstream devices will use the packet marking.

You must decide whether the incoming traffic priority should be honored or not. To implement the decision, you configure the trust state of the port. When traffic arrives on a port that is set not to trust incoming traffic priority settings, the priority setting of the incoming traffic is rewritten to the lowest priority (zero). Traffic that arrives on an interface that is set to trust incoming traffic priority settings retains its priority setting.

Examples of ports on which it might be valid to trust incoming priority settings are ports that are connected to IP phones and other IP voice devices, video devices, or any device that you trust to send frames with a valid predetermined priority. If you know that appropriate marking is completed when traffic first enters the network, you may also want to set uplink interfaces to trust the incoming priority settings.

Configure ports that are connected to workstations or any devices that do not send all traffic with a predetermined valid priority as untrusted (the default).

In the previous example, you configured QoS to properly mark the voice, SAP, and other best effort traffic at the access layer. This example configures QoS to honor those values as the traffic passes through other network devices by configuring the interswitch links to trust the packet DSCP values.

The previous example had several different traffic classes entering a port and selectively applied different QoS policies to the different traffic types. The configuration was done with the MQC QoS policy syntax, which allows you to apply different marking or trust actions to the different traffic classes arriving on a port.

If you know that all traffic entering a particular port can be trusted (as is the case on access-distribution or distribution-core uplink ports), you can use the port trust configuration. Using port trust does not provide any support for different traffic types entering a port, but it is a much simpler configuration option. This is the command syntax for port trust:

```
interface gigabitethernet 5/1
 mls qos trust dscp
```

With ports configured to trust received DSCP, the DSCP value for the traffic leaving the switch will be the same as the DSCP value for the traffic entering the trusted ports. After you have configured the trust state, you can use the following commands to verify that the setting has taken effect:

```
Router# show queueing interface gigabitethernet 5/1 | include Trust
Trust state:trust DSCP
```

Prioritizing Traffic on Interswitch Links

This section describes how the switches operate using trusted values.

One of the most fundamental principles of QoS is to protect high-priority traffic in the case of oversubscription. The marking and trusting actions described in the [“Classifying Traffic from PCs and IP Phones in the Access Layer” section on page 43-114](#) and the [“Accepting the Traffic Priority Value on Interswitch Links” section on page 43-117](#) prepare the traffic to handle oversubscription, but they do not provide different levels of service. To achieve differing levels of service, the networking device must have an advanced scheduling algorithm to prioritize traffic as it sends traffic from a particular interface. This scheduling function is responsible for transmitting the high-priority traffic with greater frequency than the low-priority traffic. The net effect is a differentiated service for the various traffic classes.

These two concepts are fundamental to the provision of differentiated service for various traffic classes:

- Assigning the traffic to a particular queue
- Setting the queue scheduling algorithm

Once QoS has been enabled, default values are applied for both of these features. For many networks, these default values are sufficient to differentiate the network traffic. For other networks, these values might need to be adjusted to produce the desired result. Only in rare cases should there be a need for significant changes from the default settings for these features.

The Ethernet ports support a variety of queue structures, ranging from a single queue up to an eight-queue architecture. You can compare the queue structure to a group of traffic lanes used to service different traffic types. For example, the police get prioritized treatment when driving down the freeway so that they can get to accidents or crime scenes quickly. In an analogous way, the voice traffic on an IP network requires the same prioritized treatment. The switch uses the queue structure to provide these lanes of differentiated service.

The exact queue type is specific to the Ethernet module that you are working with. This example uses a module that has four transmit queues, described as 1p3q8t, which indicates:

- One strict priority queue (1p)
- Three regular queues supporting Weighted-Round Robin scheduling (3q), each with eight WRED thresholds (8t, not discussed here)

The Ethernet ports also have input queue structures, but these are used less often, and because there probably will not be congestion within the switch fabric, this example does not include them.

To assign traffic to these queues, you need to configure a mapping of priority values to queues. QoS uses the DSCP-to-CoS map to map the 64 possible outgoing DSCP values to the eight possible 802.1p values, and then uses a CoS-to-queue map to map the CoS values to queues.

When the packet enters the switch, QoS is either configured to classify and mark the packet with a configured DSCP value (as in the [“Classifying Traffic from PCs and IP Phones in the Access Layer” section on page 43-114](#)) or to trust the packet’s incoming DSCP value (as in the [“Accepting the Traffic Priority Value on Interswitch Links” section on page 43-117](#)). These options determine the packet’s priority as it leaves the switch.

This example shows how to display the DSCP-to-CoS mapping:

```
Router# show mls qos maps dscp-cos
Dscp-cos map:                                     (dscp= d1d2)
d1 :  d2 0  1  2  3  4  5  6  7  8  9
-----
0 :    00 00 00 00 00 00 00 00 01 01
1 :    01 01 01 01 01 01 02 02 02 02
2 :    02 02 02 02 03 03 03 03 03 03
3 :    03 03 04 04 04 04 04 04 04 04
```

```

4 :    05 05 05 05 05 05 05 05 06 06
5 :    06 06 06 06 06 06 07 07 07 07
6 :    07 07 07 07
Router#

```

The example marked the voice traffic with a DSCP value of 46. You can use the command output to translate DSCP 46 to CoS 5. You can use the command output to translate the other marked DSCP values to CoS values.

You can make changes to this mapping table to suit the needs of your particular network. Only minor changes are typically necessary; this example does not make any changes.

For queueing purposes, the configuration derives a CoS value from the outgoing DSCP value. This CoS value is used for queue assignment even if the outgoing port is an access port (that is, not a trunk port). However, there will be no 802.1q VLAN tag transmitted on the network if the outgoing port is an access port.

Map each derived CoS value to the queue structure. This example shows how to display the default CoS-to-queue mapping, which shows the queue to which each of the eight CoS values is mapped:

```

Router# show queueing interface gigabitethernet 5/1 | begin cos-map
queue thresh cos-map
-----
1      1      0
1      2      1
1      3
1      4
1      5
1      6
1      7
1      8
2      1      2
2      2      3 4
2      3
2      4
2      5
2      6
2      7
2      8
3      1      6 7
3      2
3      3
3      4
3      5
3      6
3      7
3      8
4      1      5

```

<output truncated>

You want voice traffic mapped to the strict priority queue, which is queue 4 on 1p3q8t ports. The example maps the DSCP 46 voice traffic to CoS 5, which means that you want the CoS 5 traffic to be mapped to the strict priority queue, and you can use the output of the **show queueing interface** command to verify that CoS 5 traffic is mapped to the strict priority queue.

This is a list of the queue mappings for all of the traffic types in this example:

Traffic Type	DSCP	CoS (from DSCP-to-CoS map)	Output Queue
Voice	46	5	Strict Priority
Voice signaling	24	3	Queue 2, Threshold 2
PC SAP	25	3	Queue 2, Threshold 2
Other traffic	0	0	Queue 1, Threshold 1

Traffic that is transmitted through the switch is directed to these different queues (or “traffic lanes”) based on priority. Because there are more CoS values (zero through seven) than egress queues (three per interface in this example), there are drop thresholds in each standard (that is, nonstrict priority) queue. When more than one CoS value is assigned to a given queue, different drop thresholds can be assigned to these CoS values to distinguish between the different priorities. The thresholds specify the maximum percentage of the queue that traffic with a given CoS value can use before additional traffic with that CoS value is dropped. The example only uses three QoS values (high, medium, and low), so you can assign each CoS value to a separate queue and use the default 100-percent drop thresholds.

You can change the DSCP-to-CoS and CoS-to-queue mapping to suit the needs of your particular network. Only minor changes are typically necessary, and this example includes no changes. If your network requires different mapping, see the [“Mapping CoS Values to Standard Transmit-Queue Thresholds”](#) section on page 43-106.

Now you understand how traffic is assigned to the available queues on the output ports of the switch. The next concept to understand is how the queue weights operate, which is called the queue scheduling algorithm.

The scheduling algorithms used on the Ethernet ports are strict priority (SP) queueing and weighted round robin (WRR) queueing. These algorithms determine the order, or the priority, that the various queues on a port are serviced.

The strict priority queueing algorithm is simple. One queue has absolute priority over all of the other queues. Whenever there is a packet in the SP queue, the scheduler will service that queue, which ensures the highest possibility of transmitting the packet and the lowest possible latency in transmission even in periods of congestion. The strict priority queue is ideal for voice traffic because voice traffic requires the highest priority and lowest latency on a network, and it also is a relatively low-bandwidth traffic type, which means that voice traffic is not likely to consume all available bandwidth on a port. You would not want to assign a high-bandwidth application (for example, FTP) to the strict priority queue because the FTP traffic could consume all of the bandwidth available to the port, starving the other traffic classes.

The WRR algorithm uses relative weights that are assigned to the WRR queues. If there are three queues and their weights are 100:150:200 (which are the default settings), then queue 1 gets only 22 percent of the available bandwidth, queue 2 gets 33 percent, and queue 3 gets 45 percent. With WRR, none of the queues are restricted to these percentages. If queue 2 and queue 3 do not have any traffic, queue 1 can use all available bandwidth.

In this example, queue 1 has a lower priority than queue 2, and queue 2 has a lower priority than queue 3. The low-priority traffic (phone-other and PC-other) maps to queue 1, and the medium-priority traffic (voice-signaling and PC-SAP) maps to queue 2.

The strict-priority queue does not require any configuration after traffic has been mapped to it. The WRR queues have a default bandwidth allocation that might be sufficient for your network; if it is not, then you can change the relative weights to suit your traffic types (see the [“Allocating Bandwidth Between Standard Transmit Queues”](#) section on page 43-109).

The best way to verify that the switch is handling oversubscription is to ensure that there is minimal packet drop. Use the **show queueing interface** command to determine where that packet loss is happening. This command displays the number of dropped packets for each queue.

Using Policers to Limit the Amount of Traffic from a PC

Rate limiting is a useful way of ensuring that a particular device or traffic class does not consume more bandwidth than expected. On the Ethernet ports, the supported rate-limiting method is called policing. Policing is implemented in the PFC hardware with no performance impact. A policer operates by allowing the traffic to flow freely as long as the traffic rate remains below the configured transmission rate. Traffic bursts are allowed, provided that they are within the configured burst size. Any traffic that exceeds the configured rate and burst can be either dropped or marked down to a lower priority. The benefit of policing is that it can constrain the amount of bandwidth that a particular application consumes, which helps ensure quality of service on the network, especially during abnormal network conditions such as a virus or worm attack.

This example focuses on a basic per-interface aggregate policer applied to a single interface in the inbound direction, but you can use other policing options to achieve this same result.

The configuration of a policer is similar to the marking example provided in the [“Classifying Traffic from PCs and IP Phones in the Access Layer”](#) section on page 43-114 because policing uses the same ACL and MQC syntax. The syntax in that example created a class-map to identify the traffic and then created a policy-map to specify how to mark the traffic.

The policing syntax is similar enough that we can use the marking example ACL and modify the marking example class map by replacing the **set dscp** command with a **police** command. This example reuses the CLASSIFY-OTHER class-map to identify the traffic with a modified IPPHONE-PC policy map to police the matched traffic to a maximum of 50 Mbps, while continuing to mark the traffic that conforms to this rate.

The class maps and the ACL and **class-map** commands that are used to identify the “other” traffic are included below for reference; no changes have been made.

- ACL commands:

```
ip access-list extended CLASSIFY-OTHER
permit ip any any
```

- Class map commands:

```
class-map match-all CLASSIFY-OTHER
match access-group name CLASSIFY-OTHER
```

The difference between this policer configuration and the marking configuration is the policy-map action statements. The marking example uses the **set dscp** command to mark the traffic with a particular DSCP value. This policing example marks the CLASSIFY-OTHER traffic to a DSCP value of zero and polices that traffic to 50 Mbps. To do this, replace the **set dscp** command with a **police** command. The **police** command allows a marking action to take place: it marks all traffic below the 50 Mbps limit to DSCP 0 and drops any traffic above the 50 Mbps threshold.

This is the modified IPPHONE-PC policy map, which includes the **police** command:

```
policy-map IPPHONE-PC
class CLASSIFY-OTHER
police 50000000 1562500 conform-action set-dscp-transmit default exceed-action drop
```

These are the **police** command parameters:

- The 50000000 parameter defines the committed information rate (CIR) for traffic allowed in this traffic class. This example configures the CIR to be 50 Mbps.
- The 1562500 parameter defines the CIR burst size for traffic in this traffic class; this example uses a default maximum burst size. Set the CIR burst size to the maximum TCP window size used on the network.
- The **conform action** keywords define what the policer does with CLASSIFY-OTHER packets transmitted when the traffic level is below the 50-Mbps rate. In this example, **set-dscp-transmit default** applies DSCP 0 to those packets.
- The **exceed action** defines what the policer does with CLASSIFY-OTHER packets transmitted when the traffic level is above the 50 Mbps CIR. In this example, **exceed action drop** drops those packets.

This is a basic example of a single rate per-interface aggregate policer. The PFC3 also support a dual-rate policer for providing both CIR and peak information rate (PIR) granularity.

Attach the policy map to the appropriate interface using the **service-policy input** command:

```
interface FastEthernet5/1
service-policy input IPPHONE-PC
```

To monitor the policing operation, use these commands:

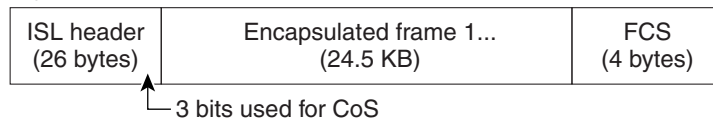
```
show policy-map interface fastethernet 5/1
show class-map
show mls qos ip fastethernet 5/1
```

PFC QoS Glossary

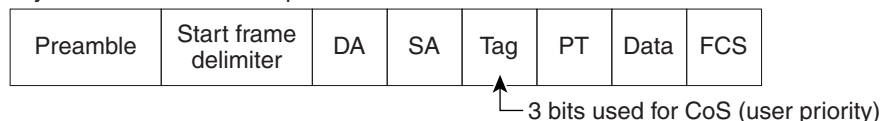
This section defines some of the QoS terminology used in this chapter:

- *Buffers*—A storage area used for handling data in transit. Buffers are used in internetworking to compensate for differences in processing speed between network devices. Bursts of data can be stored in buffers until they can be handled by slower processing devices. Sometimes referred to as a packet buffer.
- *Class of service (CoS)* is a Layer 2 QoS label carried in three bits of either an ISL, 802.1Q, or 802.1p header. CoS values range between zero and seven.

Layer 2 ISL frame



Layer 2 802.1Q and 802.1p frame

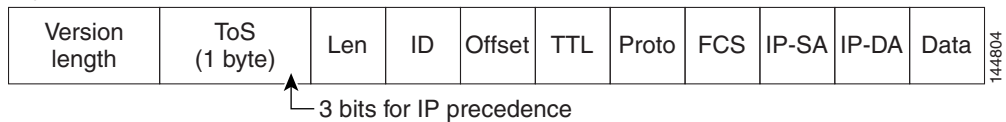


144803

- *Classification* is the process used for selecting traffic to be marked for QoS.

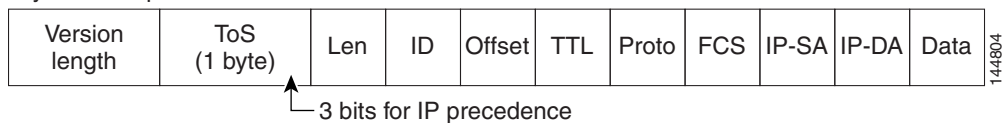
- *Congestion avoidance* is the process by which PFC QoS reserves ingress and egress LAN port capacity for Layer 2 frames with high-priority Layer 2 CoS values. PFC QoS implements congestion avoidance with Layer 2 CoS value-based drop thresholds. A drop threshold is the percentage of queue buffer utilization above which frames with a specified Layer 2 CoS value is dropped, leaving the buffer available for frames with higher-priority Layer 2 CoS values.
- *Differentiated Services Code Point (DSCP)* is a Layer 3 QoS label carried in the six most-significant bits of the **ToS byte** in the IP header. DSCP ranges between 0 and 63.

Layer 3 IPv4 packet



- *Frames* carry traffic at Layer 2. Layer 2 frames carry Layer 3 packets.
- *IP Precedence* is a Layer 3 QoS label carried in the three most-significant bits of the **ToS byte** in the IP header. IP precedence ranges between zero and seven.

Layer 3 IPv4 packet



- *Labels*—See [QoS labels](#).
- *Marking* is the process of setting a Layer 3 DSCP value in a packet; in this publication, the definition of marking is extended to include setting Layer 2 CoS values. Marking changes the value of a label.
- *Packets* carry traffic at Layer 3.
- *Policing* is limiting bandwidth used by a flow of traffic. Policing is done on the PFC and Distributed Forwarding Cards (DFCs). Policing can mark or drop traffic.
- *Queues*—Queues are allocations of buffer space used to temporarily store data on a port.
- *QoS labels*—PFC QoS uses CoS, DSCP, and IP Precedence as QoS labels. QoS labels are prioritization values carried in Layer 3 packets and Layer 2 frames.
- *Scheduling* is the assignment of Layer 2 frames to a queue. PFC QoS assigns frames to a queue based on Layer 2 CoS values.
- *Shaped round robin (SRR)* is a dequeuing algorithm.
- *Threshold*—Percentage of queue capacity above which traffic is dropped.
- *Type of service (ToS)* is a one-byte field that exists in an IP version 4 header that is used to specify the priority value applied to the packet. The ToS field consists of eight bits. The first three bits specify the IP precedence value, which can range from zero to seven, with zero being the lowest priority and seven being the highest priority. The ToS field can also be used to specify a DSCP value. DSCP is defined by the six most significant bits of the ToS. DSCP values can range from 0 to 63.
- *Weight*—Ratio of bandwidth allocated to a queue.

**Tip**

For additional information about Cisco Catalyst 6500 Series Switches (including configuration examples and troubleshooting information), see the documents listed on this page:

http://www.cisco.com/en/US/products/hw/switches/ps708/tsd_products_support_series_home.html
