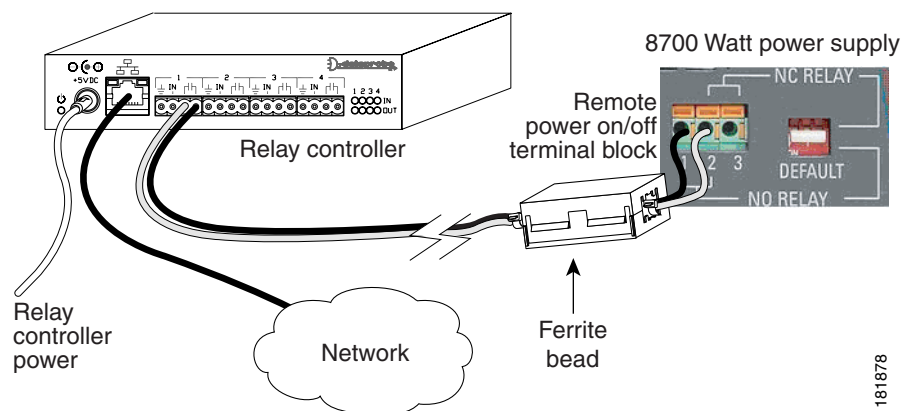




Ferrite Bead Installation Note

This plastic bag contains one ferrite bead and two 4-inch plastic ties. The ferrite bead is a passive device that limits high-frequency interference on interface and control cables, and it is only required when you install the remote power on/off feature, shown in the illustration below, that is supported by the 8700 Watt power supply. You do not need the ferrite bead for 8700 Watt power supply installations when you are not using the remote power on/off feature.



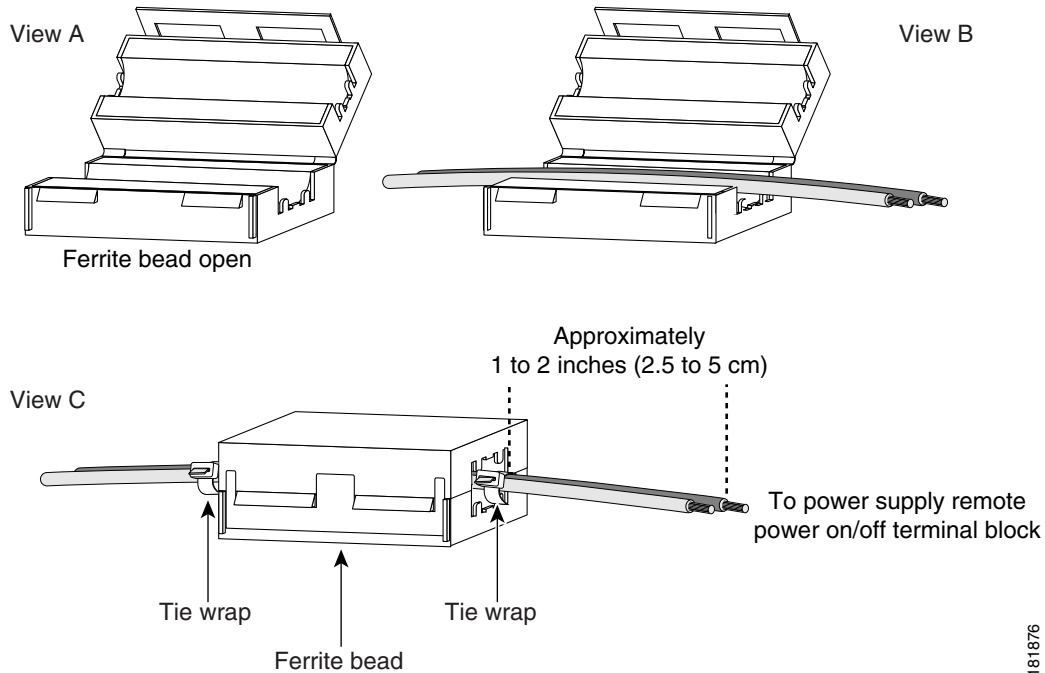
Installing the Ferrite Bead

To install the ferrite bead on the remote power on/off control wires, follow these steps:

- Step 1** Remove the ferrite bead and the two plastic ties from the plastic bag.
- Step 2** Open the ferrite bead as shown in View A in the illustration below.
- Step 3** Place the two remote power on/off control wires (18 AWG maximum) in the ferrite bead as shown in View B in the illustration below. Close the ferrite bead making sure that the two halves have completely snapped together and are secure.



- Step 4** Locate a point on the remote power on/off control wires that leaves approximately 1 to 2 inches (2.5 to 5 cm) of exposed wire. This exposed wire will attach to the remote power on/off terminal block located on the front of the power supply. Wrap one of the 4-inch plastic ties around the remote power on/off control wires at that point. Tighten the plastic tie so that it is snug against the control wires and cannot slide. See View C in the illustration below.
- Step 5** Slide the ferrite bead so that it is positioned just behind the first plastic tie wrap. Take the second plastic tie and wrap it around the control wires directly behind the ferrite bead and tighten it so that the ferrite bead cannot slide up or down the control wires. See View C in the illustration below.
- Step 6** To finish the procedure, trim the excess plastic strap from the two plastic tie wraps.



181876

CCDE, CCENT, CCSI, Cisco Eos, Cisco HealthPresence, Cisco IronPort, the Cisco logo, Cisco Nurse Connect, Cisco Pulse, Cisco SensorBase, Cisco StackPower, Cisco StadiumVision, Cisco TelePresence, Cisco Unified Computing System, Cisco WebEx, DCE, Flip Channels, Flip for Good, Flip Mino, Flipshare (Design), Flip Ultra, Flip Video, Flip Video (Design), Instant Broadband, and Welcome to the Human Network are trademarks; Changing the Way We Work, Live, Play, and Learn, Cisco Capital, Cisco Capital (Design), Cisco:Financed (Stylized), Cisco Store, Flip Gift Card, and One Million Acts of Green are service marks; and Access Registrar, Aironet, AllTouch, AsyncOS, Bringing the Meeting To You, Catalyst, CCDA, CCDP, CCIE, CCIP, CCNA, CCNP, CCSP, CCVP, Cisco, the Cisco Certified Internetwork Expert logo, Cisco IOS, Cisco Lumin, Cisco Nexus, Cisco Press, Cisco Systems, Cisco Systems Capital, the Cisco Systems logo, Cisco Unity, Collaboration Without Limitation, Continuum, EtherFast, EtherSwitch, Event Center, Explorer, Follow Me Browsing, GainMaker, iLYNX, IOS, iPhone, IronPort, the IronPort logo, Laser Link, LightStream, Linksys, MeetingPlace, MeetingPlace Chime Sound, MGX, Networkers, Networking Academy, PCNow, PIX, PowerKEY, PowerPanels, PowerTV, PowerTV (Design), PowerVu, Prisma, ProConnect, ROSA, SenderBase, SMARTnet, Spectrum Expert, StackWise, WebEx, and the WebEx logo are registered trademarks of Cisco Systems, Inc. and/or its affiliates in the United States and certain other countries.

All other trademarks mentioned in this document or website are the property of their respective owners. The use of the word partner does not imply a partnership relationship between Cisco and any other company. (0910R)

© 2007 Cisco Systems, Inc. All rights reserved.

♻️ Printed in the USA on recycled paper containing 10% postconsumer waste.