



## APPENDIX **C**

### Repacking the Switch

---

If you need to return or move the Catalyst 6500 series switch chassis, follow these steps to repack the switch using the original packaging material:

- Step 1** Set the chassis in the bottom pallet. (See [Figure C-1](#).)
- Step 2** Place the packing bag over the chassis.
- Step 3** Place the front-packing material and power supply packing material around the chassis.
- Step 4** Place the power supplies in the spaces provided in the power supply packing material. (See [Figure C-1](#).)
- Step 5** Place the top-packing material over the top of the chassis and power supplies.
- Step 6** Place the rack-mount kit and the accessory kit on the top-packing material.

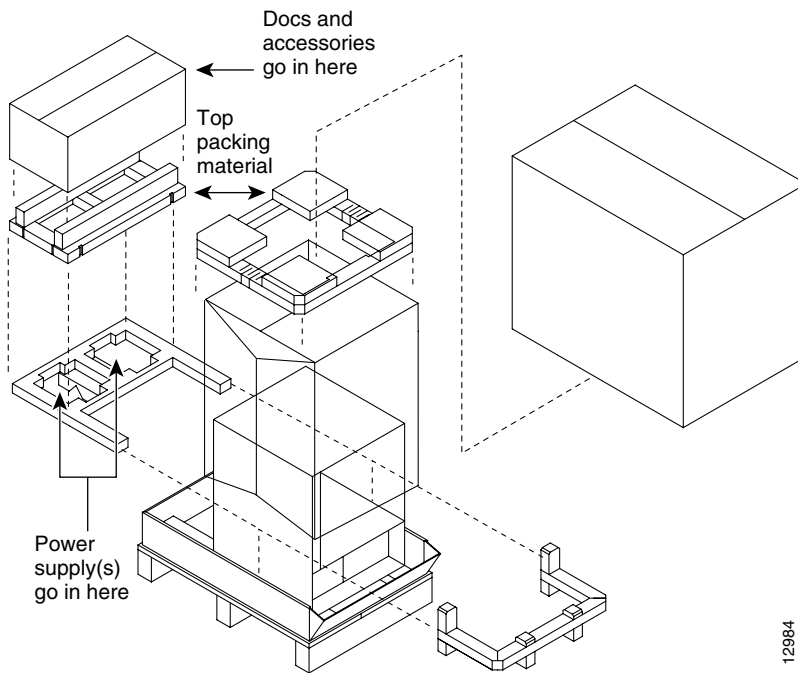
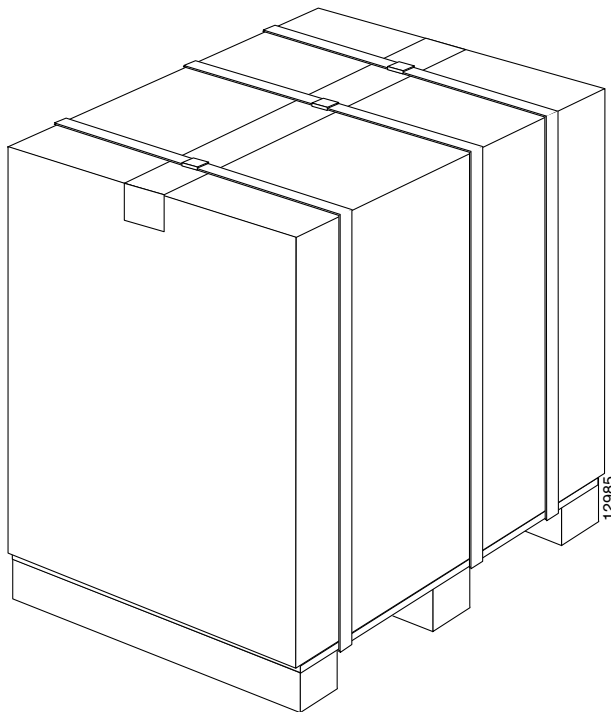


---

**Note** You must include the accessory kit for the final packaging to fit properly.

---

- Step 7** Place the outside carton over the entire package.
  - Step 8** Fold the outside carton down over the top and seal with packing tape.
  - Step 9** Wrap three packing straps tightly around the top and bottom of the package to hold the outside carton and the bottom pallet together. (See [Figure C-2](#).)
-

**Figure C-1 Packing Material****Figure C-2 Final Package****Note**

Do not use tape to hold the outside carton to the bottom pallet. Packing straps must be added to hold the entire package together and to add strength to the package.