



Configuring VLANs

This chapter describes how to configure virtual LANs (VLANs).



Note

For complete syntax and usage information for the commands used in this chapter, refer to the *Catalyst 5000 Family Command Reference*.

This chapter consists of these sections:

- [Understanding How VLANs Work, page 11-1](#)
- [VLAN Default Configuration, page 11-6](#)
- [VLAN Configuration Guidelines, page 11-6](#)
- [Configuring VLANs, page 11-7](#)

Understanding How VLANs Work

A VLAN is a group of end stations with a common set of requirements, independent of physical location. VLANs have the same attributes as a physical LAN but allow you to group end stations even if they are not located physically on the same LAN segment.

The following sections describe how VLANs work:

- [Understanding VLANs in a VTP Domain, page 11-1](#)
- [Understanding Token Ring VLANs, page 11-3](#)

Understanding VLANs in a VTP Domain

VLANs allow you to group ports on a switch to limit unicast, multicast, and broadcast traffic flooding. Flooded traffic originating from a particular VLAN is only flooded out other ports belonging to that VLAN.

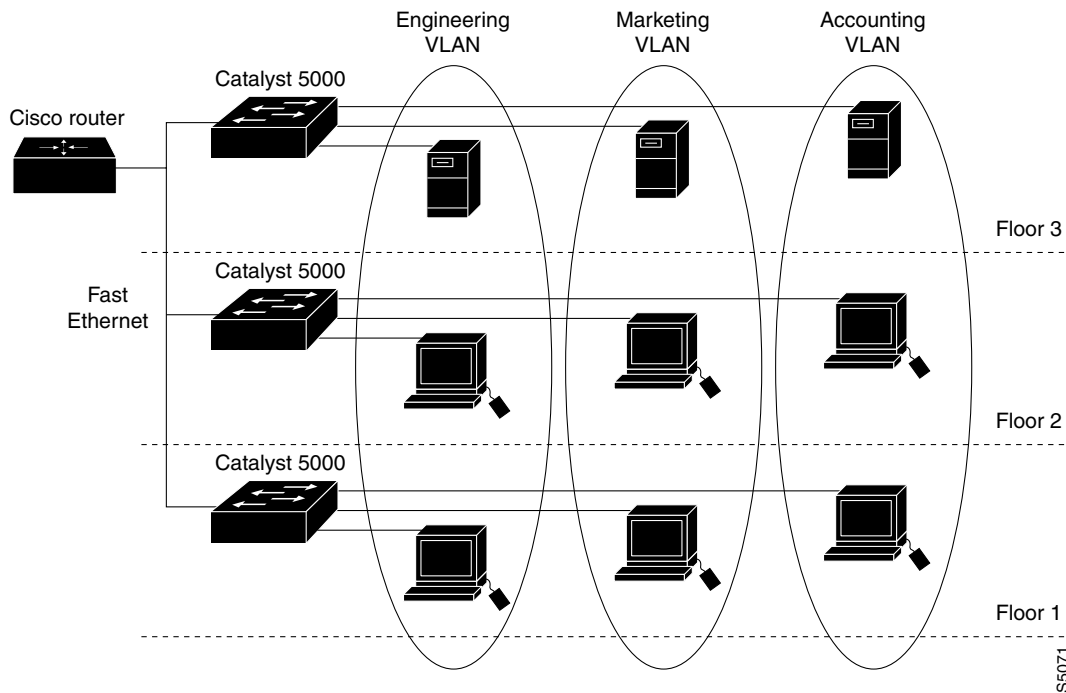


Note

Before you create VLANs, you must decide whether to use VTP to maintain global VLAN configuration information for your network. For complete information on VTP, refer to [Chapter 10, “Configuring VTP.”](#)

Figure 11-1 shows an example of VLANs segmented into logically defined networks.

Figure 11-1 VLANs as Logically Defined Networks



VLANs are often associated with IP subnetworks. For example, all the end stations in a particular IP subnet belong to the same VLAN. Traffic between VLANs must be routed. Port VLAN membership on the switch is assigned manually on a port-by-port basis. When you assign switch ports to VLANs using this method, it is known as port-based, or static, VLAN membership.



Note

The Catalyst enterprise LAN switches support dynamic VLAN membership using the VLAN Membership Policy Server (VMPS). For information on how to configure VMPS and dynamic port VLAN membership, refer to [Chapter 13, “Configuring Dynamic Port VLAN Membership with VMPS.”](#)

The in-band (sc0) interface of a switch can be assigned to any VLAN, so you can access another switch on the same VLAN directly without a router. Only one IP address at a time can be assigned to the in-band interface. If you change the IP address and assign the interface to a different VLAN, the previous IP address and VLAN assignment are overwritten.

You can set these parameters when you create a VLAN in the management domain:

- VLAN number
- VLAN name
- VLAN type (Ethernet, Fiber Distributed Data Interface [FDDI], FDDI network entity title [NET], TrBRF, or TrCRF)
- VLAN state (active or suspended)
- Maximum transmission unit (MTU) for the VLAN
- Security Association Identifier (SAID)

- Bridge identification number for TrBRF VLANs
- Ring number for FDDI and TrCRF VLANs
- Parent VLAN number for TrCRF VLANs
- Spanning Tree Protocol (STP) type for TrCRF VLANs
- VLAN number to use when translating from one VLAN type to another

**Note**

When translating from one VLAN type to another, the switch software requires a different VLAN number for each media type.

Understanding Token Ring VLANs

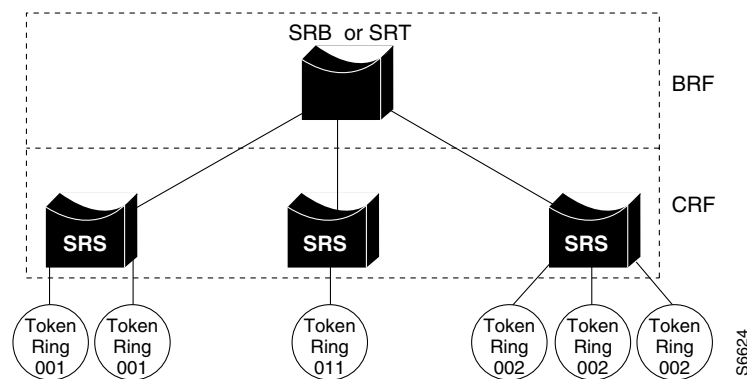
Two Token Ring VLAN types are supported on switches running VTP version 2:

- [Token Ring TrBRF VLANs, page 11-3](#)
- [Token Ring TrCRF VLANs, page 11-4](#)

Token Ring TrBRF VLANs

Token Ring Bridge Relay Function (TrBRF) VLANs interconnect multiple Token Ring Concentrator Relay Function (TrCRF) VLANs in a switched Token Ring network (see [Figure 11-2](#)). The TrBRF can be extended across a network of switches interconnected with trunk links. The connection between the TrCRF and the TrBRF is referred to as a *logical port*.

Figure 11-2 Interconnected Token Ring TrBRF and TrCRF VLANs



For source routing, the switch appears as a single bridge between the logical rings. The TrBRF can function as a source-route bridge (SRB) or source-route transparent (SRT) bridge running either the IBM or IEEE STP. If SRB is used, you can define duplicate Media Access Control (MAC) addresses on different logical rings.

The Token Ring software runs an instance of STP for each TrBRF VLAN and each TrCRF VLAN. For TrCRF VLANs, STP removes loops in the logical ring. For TrBRF VLANs, STP interacts with external bridges to remove loops from the bridge topology, similar to STP operation on Ethernet VLANs.



Caution Some parent TrBRF STP and TrCRF bridge mode configurations can place the logical ports (the connection between the TrBRF and the TrCRF) of the TrBRF in a blocked state. For more information, refer to the “[VLAN Configuration Guidelines](#)” section on page 11-6.

For source routing, the switch appears as a single bridge between the logical rings. The TrBRF can function as an SRB or SRT bridge running either the IBM or IEEE STP. If SRB is used, duplicate MAC addresses can be defined on different logical rings.

To accommodate IBM System Network Architecture (SNA) traffic, you can use a combination of SRT and SRB modes. In a mixed mode, the TrBRF considers some ports (logical ports connected to TrCRFs) to operate in SRB mode while others operate in SRT mode.

Token Ring TrCRF VLANs

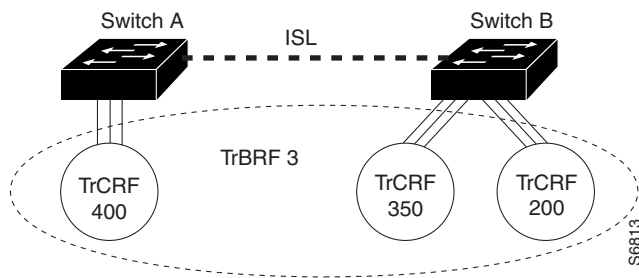
Token Ring Concentrator Relay Function (TrCRF) VLANs define port groups with the same logical ring number. You can configure two types of TrCRFs in your network: undistributed and backup.

Typically, TrCRFs are undistributed, which means each TrCRF is limited to the ports on a single switch. Multiple undistributed TrCRFs on the same or separate switches can be associated with a single parent TrBRF (see [Figure 11-3](#)). The parent TrBRF acts as a multiport bridge, forwarding traffic between the undistributed TrCRFs.

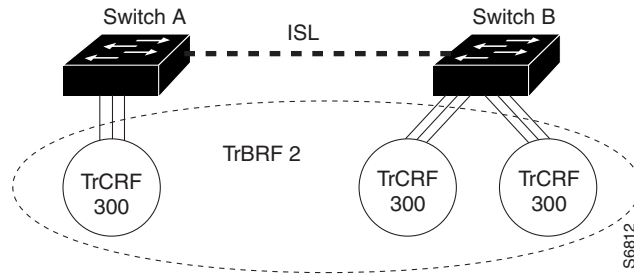


Note To pass data between rings located on separate switches, you can associate the rings to the same TrBRF and configure the TrBRF for SRB.

Figure 11-3 Undistributed TrCRFs



Note By default, Token Ring ports are associated with the default TrCRF (VLAN 1003, trcrf-default), which has the default TrBRF (VLAN 1005, trbrf-default) as its parent. In this configuration, a distributed TrCRF is possible (see [Figure 11-4](#)), and traffic is passed between the default TrCRFs located on separate switches provided that the switches are connected through an ISL trunk.

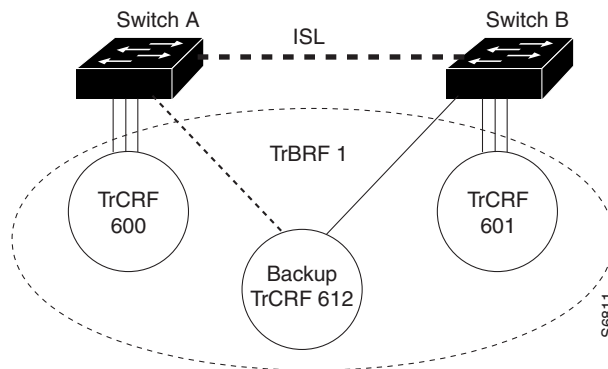
Figure 11-4 Distributed TrCRF

Within a TrCRF, source-route switching forwards frames based on either MAC addresses or route descriptors. The entire VLAN can operate as a single ring, with frames switched between ports within a single TrCRF.

You can specify the maximum hop count for All-Routes and Spanning-Tree Explorer frames for each TrCRF. This limits the maximum number of hops an explorer is allowed to traverse. If a port determines that the explorer frame it is receiving has traversed more than the number of hops specified, it does not forward the frame. The TrCRF determines the number of hops an explorer has traversed based on the number of bridge hops in the route information field.

If the ISL connection between switches fails, a backup TrCRF allows you to configure an alternate route for traffic between undistributed TrCRFs located on separate switches that are connected by a TrBRF. Only one backup TrCRF for a TrBRF is allowed, and only one port per switch can belong to a backup TrCRF.

If the ISL connection between the switches fails, the port in the backup TrCRF on each affected switch automatically becomes active, rerouting traffic between the undistributed TrCRFs through the backup TrCRF. When the ISL connection is reestablished, all but one port in the backup TrCRF is disabled. [Figure 11-5](#) illustrates the backup TrCRF.

Figure 11-5 Backup TrCRF

VLAN Default Configuration

Table 11-1 shows the default VLAN configuration.

Table 11-1 VLAN Default Configuration

Feature	Default Value
Native (default) VLAN	VLAN 1
Port VLAN assignments	All ports assigned to VLAN 1 Token Ring ports assigned to VLAN 1003 (trcrf-default)
VLAN state	Enabled
MTU size	1500 bytes 4472 bytes for Token Ring VLANs
SAID value	100,000 plus the VLAN number (for example, the SAID for VLAN 3 is 100003)
Pruning eligibility	VLAN 2–1000 are pruning eligible
Default FDDI VLAN	VLAN 1002
Default FDDI NET VLAN	VLAN 1004
Default Token Ring TrBRF VLAN	VLAN 1005 (trbrf-default) with bridge number 0F
Default Token Ring TrCRF VLAN	VLAN 1003 (trcrf-default)
TrBRF STP	IBM
TrCRF bridge mode	SRB

VLAN Configuration Guidelines

Follow these guidelines when creating and modifying VLANs in your network:

- A maximum of 1000 VLANs can be active at any time.
- Before you can create a VLAN, the switch must be in VTP server mode or VTP transparent mode. If the switch is a VTP server, you must define a VTP domain. For information on configuring VTP, refer to [Chapter 10, “Configuring VTP.”](#)
- The default TrBRF (VLAN 1005) can only be the parent of the default TrCRF (VLAN 1003). You cannot specify the default TrBRF as the parent of a user-configured TrCRF.
- You must configure a TrBRF before you configure the TrCRF (the parent TrBRF VLAN you specify must exist).
- In a Token Ring environment, the logical ports (the connection between the TrBRF and the TrCRF) of the TrBRF are placed in a blocked state if either of these conditions exists:
 - The TrBRF is running the IBM STP, and the TrCRF is in SRT mode.
 - The TrBRF is running the IEEE STP, and the TrCRF is in SRB mode.

**Note**

The Catalyst 5000 family switch 10/100 Ethernet switching modules support auxiliary VLANs in software release 5.5(1) and later. You can plug an externally powered IP phone into a 10/100 port and then add that port to an auxiliary VLAN using the **set port auxiliaryvlan** command. On Catalyst 5000 family switches, the **set port auxiliaryvlan** command is valid only on 10/100 ports that support 802.1Q trunking. For complete details on configuring auxiliary VLANs, refer to the “Configuring a Voice-over-IP Network” chapter in the *Catalyst 6000 Family Software Configuration Guide*.

Configuring VLANs

**Note**

VLANs support a number of parameters that are not discussed in detail in this section. For complete information on the **set vlan** command and its parameters, refer to the *Catalyst 5000 Family Command Reference*.

These sections describe how to configure VLANs:

- [Creating or Modifying an Ethernet VLAN, page 11-7](#)
- [Creating or Modifying an FDDI VLAN, page 11-8](#)
- [Creating or Modifying a Token Ring TrBRF VLAN, page 11-8](#)
- [Creating or Modifying a Token Ring TrCRF VLAN, page 11-9](#)
- [Assigning Switch Ports to a VLAN, page 11-11](#)
- [Mapping 802.1Q VLANs to ISL VLANs, page 11-12](#)
- [Clearing 802.1Q-to-ISL VLAN Mappings, page 11-13](#)
- [Deleting a VLAN, page 11-13](#)

Creating or Modifying an Ethernet VLAN

To create a new Ethernet VLAN, perform this task in privileged mode:

	Task	Command
Step 1	Create a new Ethernet VLAN.	set vlan <i>vlan_num</i> [name <i>name</i>] [said <i>said</i>] [mtu <i>mtu</i>] [translation <i>vlan_num</i>]
Step 2	Verify the VLAN configuration.	show vlan [<i>vlan_num</i>]

**Note**

The default VLAN type is Ethernet; if you do not specify the VLAN type, the VLAN is an Ethernet VLAN.

This example shows how to create an Ethernet VLAN and verify the configuration:

```

Console> (enable) set vlan 500 name Engineering
Vlan 500 configuration successful
Console> (enable) show vlan 500
VLAN Name                               Status      IfIndex Mod/Ports, Vlans

```

```

-----
500 Engineering active 344
VLAN Type SAID MTU Parent RingNo BrdgNo Stp BrdgMode Trans1 Trans2
-----
500 enet 100500 1500 - - - - 0 0
VLAN AREHops STEHops Backup CRF
-----
Console> (enable)

```

To modify the VLAN parameters on an existing Ethernet VLAN, perform this task in privileged mode:

	Task	Command
Step 1	Modify an existing Ethernet VLAN.	set vlan <i>vlan_num</i> [name <i>name</i>] [state { active suspend }] [said <i>said</i>] [mtu <i>mtu</i>] [translation <i>vlan_num</i>]
Step 2	Verify the VLAN configuration.	show vlan [<i>vlan_num</i>]

Creating or Modifying an FDDI VLAN

To create a new FDDI VLAN, perform this task in privileged mode:

	Task	Command
Step 1	Create a new FDDI or FDDI NET-type VLAN.	set vlan <i>vlan_num</i> [name <i>name</i>] type { fddi fddinet } [said <i>said</i>] [mtu <i>mtu</i>]
Step 2	Verify the VLAN configuration.	show vlan [<i>vlan_num</i>]

To modify the VLAN parameters on an existing FDDI VLAN, perform this task in privileged mode:

	Task	Command
Step 1	Modify an existing FDDI or FDDI NET-type VLAN.	set vlan <i>vlan_num</i> [name <i>name</i>] [state { active suspend }] [said <i>said</i>] [mtu <i>mtu</i>]
Step 2	Verify the VLAN configuration.	show vlan [<i>vlan_num</i>]

Creating or Modifying a Token Ring TrBRF VLAN



Note

You must enable VTP version 2 before you create Token Ring VLANs. For information on enabling VTP version 2, refer to [Chapter 10, “Configuring VTP.”](#)

To create a new Token Ring TrBRF VLAN, perform this task in privileged mode:

	Task	Command
Step 1	Create a new Token Ring TrBRF-type VLAN.	set vlan <i>vlan_num</i> [name <i>name</i>] type trbrf [said <i>said</i>] [mtu <i>mtu</i>] [bridge <i>bridge_number</i>] [stp { ieee ibm }]
Step 2	Verify the VLAN configuration.	show vlan [<i>vlan_num</i>]



Note You must specify a bridge number when creating a new TrBRF.

This example shows how to create a new Token Ring TrBRF VLAN and verify the configuration:

```

Console> (enable) set vlan 999 name TrBRF_999 type trbrf bridge a
Vlan 999 configuration successful
Console> (enable) show vlan 999
VLAN Name                               Status      IfIndex Mod/Ports, Vlans
-----
999 TrBRF_999                             active
VLAN Type SAID      MTU   Parent  RingNo BrdgNo  Stp   BrdgMode Trans1 Trans2
-----
999 trbrf 100999   4472  -      -      0xa   ibm   -        0      0
VLAN AREHops STEHops Backup CRF
-----
Console> (enable)

```

To modify the VLAN parameters on an existing Token Ring TrBRF VLAN, perform this task in privileged mode:

	Task	Command
Step 1	Modify an existing Token Ring TrBRF-type VLAN.	set vlan <i>vlan_num</i> [name <i>name</i>] [state { active suspend }] [said <i>said</i>] [mtu <i>mtu</i>] [bridge <i>bridge_number</i>] [stp { ieee ibm }]
Step 2	Verify the VLAN configuration.	show vlan [<i>vlan_num</i>]

Creating or Modifying a Token Ring TrCRF VLAN



Note You must enable VTP version 2 before you create Token Ring VLANs. For information on enabling VTP version 2, refer to [Chapter 10, “Configuring VTP.”](#)

To create a new Token Ring TrCRF VLAN, perform this task in privileged mode:

	Task	Command
Step 1	Create a new Token Ring TrCRF-type VLAN.	set vlan <i>vlan_num</i> [name <i>name</i>] type trcrf [said <i>said</i>] [mtu <i>mtu</i>] { ring <i>hex_ring_number</i> decring <i>decimal_ring_number</i> } [parent <i>vlan_num</i>]
Step 2	Verify the VLAN configuration.	show vlan [<i>vlan_num</i>]

**Note**

You must specify a ring number (either in hexadecimal or in decimal) and a parent TrBRF VLAN when creating a new TrCRF.

This example shows how to create a Token Ring TrCRF VLAN and verify the configuration:

```

Console> (enable) set vlan 998 name TrCRF_998 type trcrf deccring 10 parent 999
Vlan 998 configuration successful
Console> (enable) show vlan 998
VLAN Name                               Status      IfIndex Mod/Ports, Vlans
-----
998 TrCRF_998                             active      352
VLAN Type SAID      MTU      Parent RingNo BrdgNo Stp  BrdgMode Trans1 Trans2
-----
998 trcrf 100998    4472    999    0xa   -     -   srb      0      0
VLAN AREHops STEHops Backup CRF
-----
998 7          7          off
Console> (enable)

```

To modify the VLAN parameters on an existing Token Ring TrCRF VLAN, perform this task in privileged mode:

	Task	Command
Step 1	Modify an existing Token Ring TrCRF-type VLAN.	set vlan <i>vlan_num</i> [name <i>name</i>] [state { active suspend }] [said <i>said</i>] [mtu <i>mtu</i>] [ring <i>hex_ring_num</i>] [deccring <i>decimal_ring_num</i>] [bridge <i>bridge_num</i>] [parent <i>vlan_num</i>]
Step 2	Verify the VLAN configuration.	show vlan [<i>vlan_num</i>]

To create a backup TrCRF, assign one port on each switch that the TrBRF traverses to the backup TrCRF.

To configure a TrCRF VLAN as a backup TrCRF, perform this task in privileged mode:

	Task	Command
Step 1	Configure a TrCRF VLAN as a backup TrCRF.	set vlan <i>vlan_num</i> backupcrf on
Step 2	Verify the VLAN configuration.	show vlan [<i>vlan_num</i>]

**Caution**

If the backup TrCRF port is attached to a Token Ring multistation access unit (MSAU), it does not provide a backup path unless the ring speed and port mode are set by another device. We recommend that you configure the ring speed and port mode for the backup TrCRF.

To specify the maximum number of hops for All-Routes Explorer frames or Spanning-Tree Explorer frames in the TrCRF, perform this task in privileged mode:

	Task	Command
Step 1	Specify the maximum number of hops for All-Routes Explorer frames in the TrCRF.	set vlan <i>vlan_num</i> aremaxhop <i>hopcount</i>
Step 2	Specify the maximum number of hops for Spanning-Tree Explorer frames in the TrCRF.	set vlan <i>vlan_num</i> stemaxhop <i>hopcount</i>
Step 3	Verify the VLAN configuration.	show vlan [<i>vlan_num</i>]

This example shows how to limit All-Routes Explorer frames and Spanning-Tree Explorer frames to ten hops, and how to verify the configuration:

```

Console> (enable) set vlan 998 aremaxhop 10 stemaxhop 10
Vlan 998 configuration successful
Console> (enable) show vlan 998
VLAN Name                Status      IfIndex Mod/Ports, Vlans
-----
998  VLAN0998                active     357

VLAN Type  SAID      MTU   Parent RingNo BrdgNo Stp  BrdgMode Trans1 Trans2
-----
998  trcrf  100998   4472  999   0xff   -    -      srb      0      0

VLAN AREHops STEHops Backup CRF
-----
998  10      10      off
Console> (enable)

```

Assigning Switch Ports to a VLAN

A VLAN created in a management domain remains unused until you assign one or more switch ports to the VLAN. If you specify a VLAN that does not exist, the VLAN is created and the specified ports are assigned to it.



Note

Make sure you assign switch ports to a VLAN of the proper type. For example, assign Ethernet, Fast Ethernet, and Gigabit Ethernet ports to Ethernet-type VLANs, Token Ring ports to Token Ring TrCRF-type VLANs, and so forth.

To assign one or more switch ports to a VLAN, perform this task in privileged mode:

	Task	Command
Step 1	Assign one or more switch ports to a VLAN.	set vlan <i>vlan_num</i> <i>mod/port</i>
Step 2	Verify the port VLAN membership.	show vlan [<i>vlan_num</i>] show port [<i>mod[/port]</i>]

This example shows how to assign switch ports to a VLAN and verify the assignment:

```

Console> (enable) set vlan 560 4/10
VLAN 560 modified.
VLAN 1 modified.
VLAN Mod/Ports
-----
560 4/10

Console> (enable) show vlan 560
VLAN Name                               Status    IfIndex Mod/Ports, Vlans
-----
560 Engineering                          active    348     4/10
VLAN Type SAID      MTU    Parent RingNo BrdgNo Stp  BrdgMode Trans1 Trans2
-----
560 enet  100560    1500  -      -      -      -      -      0      0
VLAN AREHops STEHops Backup CRF
-----

Console> (enable) show port 4/10
Port Name                               Status    Vlan      Level Duplex Speed Type
-----
4/10                                         notconnect 560      normal  half  10 10BaseT

<...output truncated...>

Last-Time-Cleared
-----
Wed Jun 24 1998, 12:16:41
Console> (enable)

```

Mapping 802.1Q VLANs to ISL VLANs

The valid range of user-configurable ISL VLANs is 1 to 1000. The valid range of VLANs specified in the IEEE 802.1Q standard is 0 to 4095. In a network environment with non-Cisco devices connected to Cisco switches through 802.1Q trunks, you must map 802.1Q VLAN numbers greater than 1000 to ISL VLAN numbers.

IEEE 802.1Q VLANs in the range 1 to 1000 are automatically mapped to the corresponding ISL VLAN. IEEE 802.1Q VLAN numbers greater than 1000 must be mapped to an ISL VLAN in order to be recognized and forwarded by Cisco switches.

These restrictions apply when mapping 802.1Q VLANs to ISL VLANs:

- You can configure up to seven 802.1Q-to-ISL VLAN mappings on the switch.
- You must map 802.1Q VLANs to Ethernet-type ISL VLANs.
- Do not enter the native VLAN of any 802.1Q trunk in the mapping table.
- When you map an 802.1Q VLAN to an ISL VLAN, traffic on the 802.1Q VLAN corresponding to the mapped ISL VLAN is blocked. For example, if you map 802.1Q VLAN 2000 to ISL VLAN 200, traffic on 802.1Q VLAN 200 is blocked.
- VLAN mappings are local to each switch. Make sure you configure the same VLAN mappings on all appropriate switches in the network.

To map an IEEE 802.1Q VLAN to an ISL VLAN, perform this task in privileged mode:

	Task	Command
Step 1	Map an 802.1Q VLAN to an ISL Ethernet VLAN. The valid range for <i>dot1q_vlan</i> is 1001–4095. The valid range for <i>isl_vlan</i> is 1–1000.	set vlan mapping dot1q <i>dot1q_vlan</i> isl <i>isl_vlan</i>
Step 2	Verify the VLAN mapping.	show vlan mapping

This example shows how to map IEEE 802.1Q VLANs 2000, 3000, and 4000 to ISL VLANs 200, 300, and 400, and how to verify the configuration:

```

Console> (enable) set vlan mapping dot1q 2000 isl 200
802.1q vlan 2000 is existent in the mapping table
Console> (enable) set vlan mapping dot1q 3000 isl 300
Vlan mapping successful
Console> (enable) set vlan mapping dot1q 4000 isl 400
Vlan mapping successful
Console> (enable) show vlan mapping
802.1q vlan      ISL vlan      Effective
-----
2000             200           true
3000             300           true
4000             400           true
Console> (enable)

```

Clearing 802.1Q-to-ISL VLAN Mappings

To clear an IEEE 802.1Q-to-ISL VLAN mapping, perform this task in privileged mode:

	Task	Command
Step 1	Clear an 802.1Q-to-ISL VLAN mapping.	clear vlan mapping dot1q { <i>dot1q_vlan</i> all }
Step 2	Verify the VLAN mapping.	show vlan mapping

This example shows how to clear the VLAN mapping for 802.1Q VLAN 2000:

```

Console> (enable) clear vlan mapping dot1q 2000
Vlan 2000 mapping entry deleted
Console> (enable)

```

This example shows how to clear all 802.1Q-to-ISL VLAN mappings:

```

Console> (enable) clear vlan mapping dot1q all
All vlan mapping entries deleted
Console> (enable)

```

Deleting a VLAN

When you delete a VLAN in VTP server mode, the VLAN is removed from all switches in the VTP domain. When you delete a VLAN in VTP transparent mode, the VLAN is deleted only on the current switch.

**Caution**

When you delete a VLAN, any ports assigned to that VLAN become inactive. These ports remain associated with the VLAN and inactive until you assign them to a new VLAN.

To delete a VLAN on the switch, perform this task in privileged mode:

Task	Command
Delete a VLAN.	clear vlan <i>vlan_num</i>

**Note**

You cannot delete a Token Ring TrBRF VLAN without first reassigning its child TrCRFs to another parent TrBRF or deleting the child TrCRFs.

This example shows how to delete a VLAN (in this case, the switch is a VTP server):

```

Console> (enable) clear vlan 500
This command will deactivate all ports on vlan 500
in the entire management domain
Do you want to continue(y/n) [n]?y
Vlan 500 deleted
Console> (enable)

```