



## Cable and Port Specifications

---

This appendix provides the cable and port specifications, and includes the following sections:

- [Cables and Adapters Provided, page C-1](#)
- [Console Port, page C-2](#)
- [MGMT 10/100/1000 Ethernet Port, page C-3](#)
- [Supported Power Cords and Plugs, page C-4](#)

### Cables and Adapters Provided

The Cisco MDS 9250i switch accessory kit includes the following items:

- RJ-45 rollover cable
- RJ-45/DSUB F/F adapter—RJ-45 to DB-25 female DTE adapter (labeled “Terminal”)
- RJ-45/DSUB R/P adapter—RJ-45 to DB-25 male DCE adapter (labeled “Modem”)



**Note**

---

Additional cables and adapters can be ordered from your customer service representative.

---



**Note**

---

If you purchased Cisco support through a Cisco reseller, contact the reseller directly. If you purchased support directly from Cisco Systems, contact Cisco Technical Support at this URL:  
[http://www.cisco.com/en/US/support/tsd\\_cisco\\_worldwide\\_contacts.html](http://www.cisco.com/en/US/support/tsd_cisco_worldwide_contacts.html)

---

# Console Port

The console port is an asynchronous RS-232 serial port with an RJ-45 connector. You can use the RJ-45 rollover cable and the RJ-45/DSUB F/F adapter or the RJ-45F PC terminal adapter to connect the console port to a computer running terminal emulation software.

## Console Port Pinouts

Table C-1 lists the pinouts for the console port on the Cisco MDS 9250i switch.

**Table C-1 Console Port Pinouts**

Pin	Signal
1 <sup>1</sup>	RTS
2	DTR
3	TxD
4	GND
5	GND
6	RxD
7	DSR
8	CTS

1. Pin 1 is connected internally to pin 8.

## Connecting the Console Port to a Computer Using the DB-25 Adapter

You can use the RJ-45 rollover cable and RJ-45/DSUB F/F adapter (labeled “Terminal”) to connect the console port to a computer running terminal emulation software. Table C-2 lists the pinouts for the console port, the RJ-45 rollover cable, and the RJ-45/DSUB F/F adapter.

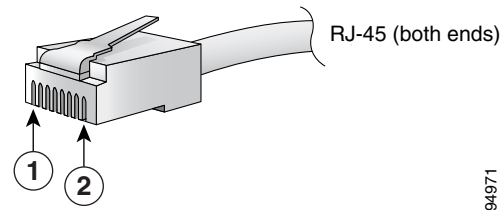
**Table C-2 Port Mode Signaling and Pinouts with the DB-25 Adapter**

Console Port Signal	RJ-45 Rollover Cable		RJ4-5/DSUB F/F Terminal Adapter	Console Device
	RJ-45 Pin	RJ-45 Pin	DB-25 Pin	Signal
RTS	1	8	5	CTS
DTR	2	7	6	DSR
TxD	3	6	3	RxD
GND	4	5	7	GND
GND	5	4	7	GND
RxD	6	3	2	TxD
DSR	7	2	20	DTR
CTS	8	1	4	RTS

# MGMT 10/100/1000 Ethernet Port

The MGMT 10/100/1000 Ethernet port is an Ethernet port with an RJ-45 connector. You can use a modular, RJ-45, straight-through UTP cable to connect the management port to an external hub, switch, or router (see [Figure C-1](#)).

**Figure C-1** RJ-45 Interface Cable Connector



<b>1</b>	Pin 1	<b>2</b>	Pin 8
----------	-------	----------	-------

[Table C-3](#) lists the connector pinouts and signal names for a 10/100/1000BASE-T management port (MDI) cable.



**Note**

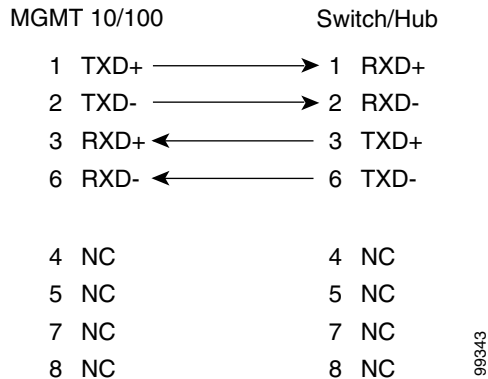
The RJ-45 interface only uses pins 1, 2, 3, and 6.

**Table C-3** 10/100/1000BASE-T Management Port Cable Pinout (MDI)

Pin	Signal
1	TD+
2	TD-
3	RD+
6	RD-
4	Not used
5	Not used
7	Not used
8	Not used

Figure C-2 shows a schematic of the 10/100/1000BASE-T cable required to connect the management port to a switch or hub (not provided with the switch).

**Figure C-2 Twisted-Pair 10/100/1000BASE-T Cable Schematic**



## Supported Power Cords and Plugs

Each power supply has a separate power cord. Standard power cords or jumper power cords are available for connection to a power distribution unit having IEC 60320 C19 outlet receptacles.

### Power Cords

The standard power cords have an IEC C19 connector on the end that plugs into the switch. The optional jumper power cords have an IEC C19 connector on the end that plugs into the switch, and an IEC C20 connector on the end that plugs into an IEC C19 outlet receptacle.



**Note**

Only the regular power cords or jumper power cords provided with the switch are supported.

Table C-4 lists the power cords for the Cisco MDS 9250i switch and provides their lengths in feet and meters.

**Table C-4 Power Cords for the MDS 9250i Switch**

Description	Length	
	Feet	Meters
<b>MDS 9250i - 300W Power Supply</b>		
Power Cord, 250VAC 20A NEMA, 6-20 Plug, USA	13.12	4
Power Cord, 250VAC 20A NEMA L6-20 Twist Lock Plug, USA	13.58	4.14
Power Cord, 250VAC 16A CEE 7/7 Plug, EU	13.12	4
Power Cord, 250VAC 16A IEC 309 Plug, International	13.58	4.14
Power Cord, 250VAC 16A SEV 1011 Plug, Switzerland	8	2.44
Power Cord, 250VAC SABS 1661 Plug, South Africa	14	4.27

**Table C-4** Power Cords for the MDS 9250i Switch (continued)

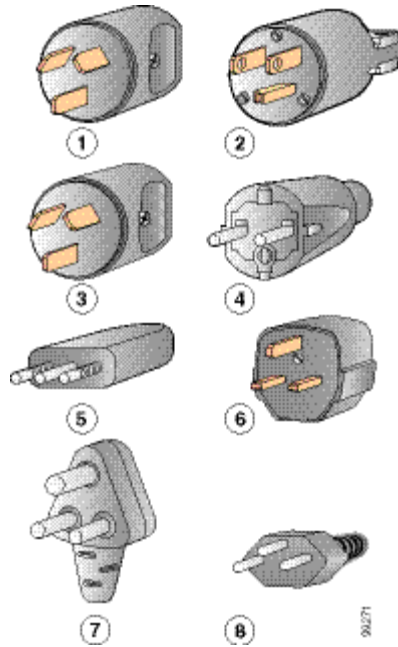
Description	Length	
	Feet	Meters
Power Cord, 250VAC 16A SI16S3 Plug, Israel	14	4.27
Power Cord 250VAC 16A, Src Plug EL224-C19, Brazil,	14	4.27
Power Cord 250VAC 16A, Src Plug IR2073-C19, Argentina,	14	4.27

## Power Cords

The standard power cords have an IEC C15 connector on the end that plugs into the switch. The optional jumper power cords have an IEC C15 connector on the end that plugs into the switch, and an IEC C14 connector on the end that plugs into an IEC C13 outlet receptacle.

**Note**

Only the standard power cords or jumper power cords provided with the switch are supported.

**Figure C-3 300-W Power Supply Plugs****300-W Power Supply Plugs**

<b>1</b>	Argentina, IRAM 2073 plug (10 A)	<b>5</b>	Italy 1/3G plug, CEI 23-16 (10 A)
<b>2</b>	North America NEMA 5-15P plug (15 A)	<b>6</b>	United Kingdom BS89/13, BS 1363/A (13 A; replaceable fuse)
<b>3</b>	Australia, New Zealand SAA/3 plug, AS/NZS 3112-1993 (10 A)	<b>7</b>	South Africa EL 208, SABS 164-1 (10 A)
<b>4</b>	Europe VIIG Plug, CEE (7) VII (16 A)	<b>8</b>	Switzerland 12G SEV 1011 (10 A)