



## CHAPTER 13

# Configuring Interfaces

---

A switch's main function is to relay frames from one data link to another. To do that, the characteristics of the interfaces through which the frames are received and sent must be defined. The configured interfaces can be Fibre Channel interfaces, Gigabit Ethernet interfaces, the management interface (mgmt0), or VSAN interfaces.

This chapter describes the basic interface configuration to get your switch up and running. It includes the following sections:

- [Fibre Channel Interfaces, page 13-1](#)
- [TL Ports for Private Loops, page 13-28](#)
- [Buffer Credits, page 13-32](#)
- [Management Interfaces, page 13-37](#)
- [VSAN Interfaces, page 13-39](#)
- [Default Settings, page 13-40](#)

See [Chapter 5, “Initial Configuration,”](#) and [Chapter 44, “Configuring IP Services,”](#) for more information on configuring mgmt0 interfaces.

See [Chapter 46, “Configuring IPv4 for Gigabit Ethernet Interfaces”](#) and [Chapter 47, “Configuring IPv6 for Gigabit Ethernet Interfaces”](#) for more information on configuring Gigabit Ethernet interfaces.



Tip

---

Before you begin configuring the switch, ensure that the modules in the chassis are functioning as designed. To verify the status of a module at any time, issue the **show module** command in EXEC mode (see the [“Verifying the Module Status”](#) section on page 5-15).

---

## Fibre Channel Interfaces

This section describes Fibre Channel interface characteristics, including (but not limited to) modes, frame encapsulation, states, SFPs, and speeds.

This section includes the following topics:

- [32-Port Switching Module Configuration Guidelines, page 13-2](#)
- [About Interface Modes, page 13-3](#)
- [N Port Identifier Virtualization, page 13-7](#)
- [About Interface States, page 13-7](#)

***Send documentation comments to [mdsfeedback-doc@cisco.com](mailto:mdsfeedback-doc@cisco.com)***

- [Configuring Fibre Channel Interfaces, page 13-11](#)
- [Graceful Shutdown, page 13-12](#)
- [Configuring Interface Modes, page 13-13](#)
- [Configuring Port Speeds, page 13-14](#)
- [Enabling N Port Identifier Virtualization, page 13-15](#)
- [About Interface Descriptions, page 13-15](#)
- [Configuring the Interface Description, page 13-15](#)
- [About Frame Encapsulation, page 13-16](#)
- [About Receive Data Field Size, page 13-16](#)
- [Configuring Receive Data Field Size, page 13-16](#)
- [Identifying the Beacon LEDs, page 13-16](#)
- [About Beacon Mode, page 13-17](#)
- [About Bit Error Thresholds, page 13-18](#)
- [Switch Port Attribute Default Values, page 13-19](#)
- [About SFP Transmitter Types, page 13-19](#)
- [Displaying Interface Information, page 13-20](#)

## 32-Port Switching Module Configuration Guidelines

The 32-port switching module guidelines apply to the following hardware:

- The 32-port, 2-Gbps or 1-Gbps switching module
- The Cisco MDS 9140 Switch

When configuring these host-optimized ports, the following port mode guidelines apply:

- You can configure only the first port in each 4-port group (for example, the first port in ports 1-4, the fifth port in ports 5-8 and so on) as an E port. If the first port in the group is configured as an E port, the other three ports in each group (ports 2-4, 6-8 and so on) are not usable and remain shutdown.
- If you execute the **write erase** command on a 32-port switching module, and then copy a saved configuration to the switch from a text file that contains the **no system default switchport shutdown** command, you need to copy the text file to the switch again for the E ports to come up without manual configuration.
- If any of the other three ports are enabled, you cannot configure the first port as an E port. The other three ports continue to remain enabled.
- The auto mode is not allowed in a 32-port switching module or the host-optimized ports in the Cisco 9100 Series (16 host-optimized ports in the Cisco MDS 9120 switch and 32 host-optimized ports in the Cisco MDS 9140 switch).
- The default port mode is Fx (Fx negotiates to F or FL) for 32-port switching modules and the host-optimized ports in the Cisco 9100 Series (16 host-optimized ports in the Cisco MDS 9120 switch and 32 host-optimized ports in the Cisco MDS 9140 switch).
- The 32-port switching module does not support FICON.

**Send documentation comments to [mdsfeedback-doc@cisco.com](mailto:mdsfeedback-doc@cisco.com)**

**Note**

We recommend that you configure your E ports on a 16-port switching module. If you must configure an E port on a 32-port host optimized switching module, the other three ports in that 4-port group cannot be used.

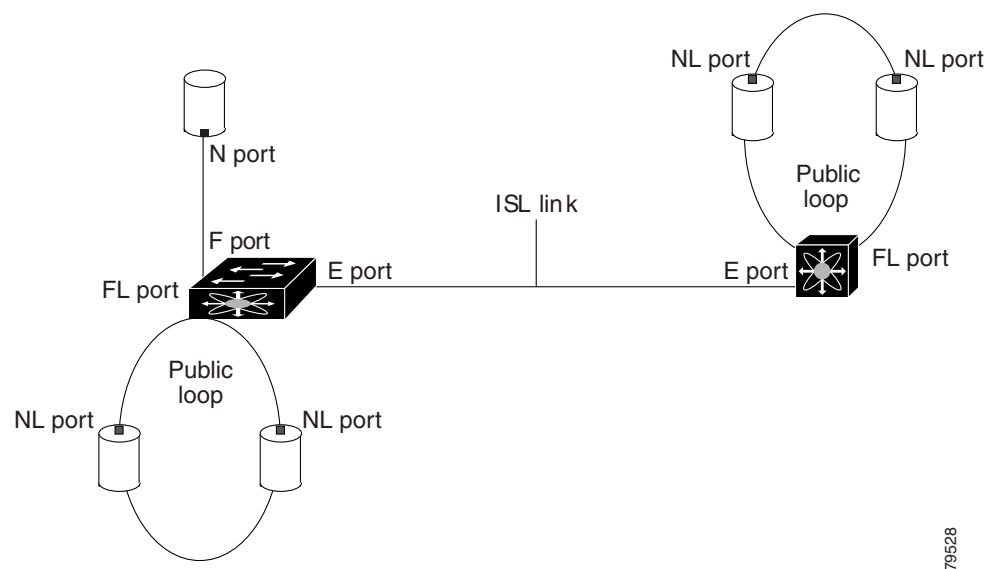
**Note**

In the Cisco MDS 9100 Series, the left most groups of ports outlined in white (4 ports in the 9120 switch and 8 ports in the 9140 switch) are full line rate like the 16-port switching module. The other ports (16 ports in the 9120 switch and 32 ports in the 9140 switch) are host-optimized like the 32-port switching module. Each group of 4 host-optimized ports have the same rules as for the 32-port switching module.

## About Interface Modes

Each physical Fibre Channel interface in a switch may operate in one of several port modes: E port, F port, FL port, TL port, TE port, SD port, ST port, and B port (see [Figure 13-1](#)). Besides these modes, each interface may be configured in auto or Fx port modes. These two modes determine the port type during interface initialization.

**Figure 13-1 Cisco MDS 9000 Family Switch Port Modes**

**Note**

Interfaces are created in VSAN 1 by default. See [Chapter 20, “Configuring and Managing VSANs.”](#)

Each interface has an associated administrative configuration and an operational status:

- The administrative configuration does not change unless you modify it. This configuration has various attributes that you can configure in administrative mode.
- The operational status represents the current status of a specified attribute like the interface speed. This status cannot be changed and is read-only. Some values may not be valid when the interface is down (for example, the operational speed).

***Send documentation comments to [mdsfeedback-doc@cisco.com](mailto:mdsfeedback-doc@cisco.com)***

**Note**


---

When a module is removed and replaced with the same type of module, the configuration is retained. If a different type of module is inserted, then the original configuration is no longer retained.

---

A brief description of each interface mode follows.

## E Port

In expansion port (E port) mode, an interface functions as a fabric expansion port. This port may be connected to another E port to create an Inter-Switch Link (ISL) between two switches. E ports carry frames between switches for configuration and fabric management. They serve as a conduit between switches for frames destined to remote N ports and NL ports. E ports support class 2, class 3, and class F service.

An E port connected to another switch may also be configured to form a PortChannel (see [Chapter 17, “Configuring PortChannels”](#)).

**Note**


---

We recommend that you configure E ports on 16-port modules. If you must configure an E port on a 32-port oversubscribed module, then you can only use the first port in a group of four ports (for example, ports 1 through 4, 5 through 8, and so forth). The other three ports cannot be used.

---

## F Port

In fabric port (F port) mode, an interface functions as a fabric port. This port may be connected to a peripheral device (host or disk) operating as an N port. An F port can be attached to only one N port. F ports support class 2 and class 3 service.

## FL Port

In fabric loop port (FL port) mode, an interface functions as a fabric loop port. This port may be connected to one or more NL ports (including FL ports in other switches) to form a public arbitrated loop. If more than one FL port is detected on the arbitrated loop during initialization, only one FL port becomes operational and the other FL ports enter nonparticipating mode. FL ports support class 2 and class 3 service.

**Note**


---

FL port mode is not supported on 4-port 10-Gbps switching module interfaces.

---

## NP Ports

An *NP port* is a port on a device that is in NPV mode and connected to the core switch via a F port. NP ports behave like N ports except that in addition to providing N port behavior, they also function as proxies for multiple, physical N ports.

For more details about NP ports and NPV, see [Chapter 14, “Configuring N Port Virtualization.”](#)

***Send documentation comments to [mdsfeedback-doc@cisco.com](mailto:mdsfeedback-doc@cisco.com)***

## TL Port

In translative loop port (TL port) mode, an interface functions as a translative loop port. It may be connected to one or more private loop devices (NL ports). TL ports are specific to Cisco MDS 9000 Family switches and have similar properties as FL ports. TL ports enable communication between a private loop device and one of the following devices:

- A device attached to any switch on the fabric
- A device on a public loop anywhere in the fabric
- A device on a different private loop anywhere in the fabric
- A device on the same private loop

TL ports support class 2 and class 3 services.

Private loop devices refer to legacy devices that reside on arbitrated loops. These devices are not aware of a switch fabric because they only communicate with devices on the same physical loop (see the [“About TL Port ALPA Caches”](#) section on page 13-30).



**Tip**

---

We recommend configuring devices attached to TL ports in zones that have up to 64 zone members.

---



**Note**

---

TL port mode is not supported on Generation 2 switching module interfaces.

---

## TE Port

In trunking E port (TE port) mode, an interface functions as a trunking expansion port. It may be connected to another TE port to create an extended ISL (EISL) between two switches. TE ports are specific to Cisco MDS 9000 Family switches. They expand the functionality of E ports to support the following:

- VSAN trunking
- Transport quality of service (QoS) parameters
- Fibre Channel trace (fctrace) feature

In TE port mode, all frames are transmitted in EISL frame format, which contains VSAN information. Interconnected switches use the VSAN ID to multiplex traffic from one or more VSANs across the same physical link. This feature is referred to as trunking in the Cisco MDS 9000 Family (see [Chapter 16, “Configuring Trunking”](#)). TE ports support class 2, class 3, and class F service.

## SD Port

In SPAN destination port (SD port) mode, an interface functions as a switched port analyzer (SPAN). The SPAN feature is specific to switches in the Cisco MDS 9000 Family. It monitors network traffic that passes through a Fibre Channel interface. This monitoring is done using a standard Fibre Channel analyzer (or a similar switch probe) that is attached to an SD port. SD ports do not receive frames, they merely transmit a copy of the source traffic. The SPAN feature is nonintrusive and does not affect switching of network traffic for any SPAN source ports (see [Chapter 53, “Monitoring Network Traffic Using SPAN”](#)).

***Send documentation comments to [mdsfeedback-doc@cisco.com](mailto:mdsfeedback-doc@cisco.com)***

## ST Port

In the SPAN tunnel port (ST port) mode, an interface functions as an entry point port in the source switch for the RSPAN Fibre Channel tunnel. The ST port mode and the remote SPAN (RSPAN) feature are specific to switches in the Cisco MDS 9000 Family. When configured in ST port mode, the interface cannot be attached to any device, and thus cannot be used for normal Fibre Channel traffic (see the “Configuring SPAN” section on page 53-6).



### Note

ST port mode is not supported on the Cisco MDS 9124 Fabric Switch, the Cisco Fabric Switch for HP c-Class BladeSystem, and the Cisco Fabric Switch for IBM BladeCenter.

## Fx Port

Interfaces configured as Fx ports can operate in either F port or FL port mode. The Fx port mode is determined during interface initialization depending on the attached N port or NL port. This administrative configuration disallows interfaces to operate in any other mode—for example, preventing an interface to connect to another switch.

## B Port

While E ports typically interconnect Fibre Channel switches, some SAN extender devices, such as the Cisco PA-FC-1G Fibre Channel port adapter, implement a bridge port (B port) model to connect geographically dispersed fabrics. This model uses B ports as described in the T11 Standard FC-BB-2.

Figure 13-1 on page 13-3 depicts a typical SAN extension over an IP network.

If an FCIP peer is a SAN extender device that only supports Fibre Channel B ports, you need to enable the B port mode for the FCIP link. When a B port is enabled, the E port functionality is also enabled and they coexist. If the B port is disabled, the E port functionality remains enabled (see Chapter 45, “Configuring IP Storage”).

## Auto Mode

Interfaces configured in auto mode can operate in one of the following modes: F port, FL port, E port, or TE port. The port mode is determined during interface initialization. For example, if the interface is connected to a node (host or disk), it operates in F port or FL port mode depending on the N port or NL port mode. If the interface is attached to a third-party switch, it operates in E port mode. If the interface is attached to another switch in the Cisco MDS 9000 Family, it may become operational in TE port mode (see Chapter 16, “Configuring Trunking”).

TL ports and SD ports are not determined during initialization and are administratively configured.



### Note

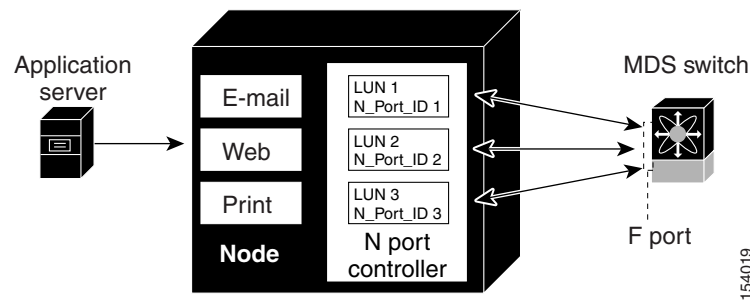
Fibre Channel interfaces on Storage Services Modules (SSMs) cannot be configured in auto mode.

[Send documentation comments to mdsfeedback-doc@cisco.com](mailto:mdsfeedback-doc@cisco.com)

## N Port Identifier Virtualization

N port identifier virtualization (NPIV) provides a means to assign multiple FC IDs to a single N port. This feature allows multiple applications on the N port to use different identifiers and allows access control, zoning, and port security to be implemented at the application level. [Figure 13-2](#) shows an example application using NPIV.

**Figure 13-2 NPIV Example**



You must globally enable NPIV for all VSANs on the MDS switch to allow the NPIV-enabled applications to use multiple N port identifiers.



**Note**

All of the N port identifiers are allocated in the same VSAN.

## About Interface States

The interface state depends on the administrative configuration of the interface and the dynamic state of the physical link.

### Administrative States

The administrative state refers to the administrative configuration of the interface as described in [Table 13-1](#).

**Table 13-1 Administrative States**

Administrative State	Description
Up	Interface is enabled.
Down	Interface is disabled. If you administratively disable an interface by shutting down that interface, the physical link layer state change is ignored.

### Operational States

The operational state indicates the current operational state of the interface as described in [Table 13-2](#).

***Send documentation comments to [mdsfeedback-doc@cisco.com](mailto:mdsfeedback-doc@cisco.com)***

**Table 13-2**      **Operational States**

Operational State	Description
Up	Interface is transmitting or receiving traffic as desired. To be in this state, an interface must be administratively up, the interface link layer state must be up, and the interface initialization must be completed.
Down	Interface cannot transmit or receive (data) traffic.
Trunking	Interface is operational in TE mode.

## Reason Codes

Reason codes are dependent on the operational state of the interface as described in [Table 13-3](#).

**Table 13-3**      **Reason Codes for Interface States**

Administrative Configuration	Operational Status	Reason Code
Up	Up	None.
Down	Down	Administratively down—If you administratively configure an interface as down, you disable the interface. No traffic is received or transmitted.
Up	Down	See <a href="#">Table 13-4</a> .



### Note

Only some of the reason codes are listed in [Table 13-4](#).

If the administrative state is up and the operational state is down, the reason code differs based on the nonoperational reason code as described in [Table 13-4](#).



**Send documentation comments to [mdsfeedback-doc@cisco.com](mailto:mdsfeedback-doc@cisco.com)**

**Table 13-4 Reason Codes for Nonoperational States**

<b>Reason Code (long version)</b>	<b>Description</b>	<b>Applicable Modes</b>
Link failure or not connected	The physical layer link is not operational.	All
SFP not present	The small form-factor pluggable (SFP) hardware is not plugged in.	
Initializing	The physical layer link is operational and the protocol initialization is in progress.	
Reconfigure fabric in progress	The fabric is currently being reconfigured.	
Offline	The Cisco SAN-OS software waits for the specified R_A_TOV time before retrying initialization.	
Inactive	The interface VSAN is deleted or is in a suspended state.  To make the interface operational, assign that port to a configured and active VSAN.	
Hardware failure	A hardware failure is detected.	
Error disabled	Error conditions require administrative attention. Interfaces may be error-disabled for various reasons. For example: <ul style="list-style-type: none"> <li>• Configuration failure.</li> <li>• Incompatible buffer-to-buffer credit configuration.</li> </ul> To make the interface operational, you must first fix the error conditions causing this state; and next, administratively shut down or enable the interface.	
FC redirect failure	A port is isolated because a Fibre Channel redirect is unable to program routes.	
No port activation license available	A port is not active because it does not have a port license.	
SDM failure	A port is isolated because SDM is unable to program routes.	

***Send documentation comments to [mdsfeedback-doc@cisco.com](mailto:mdsfeedback-doc@cisco.com)***

**Table 13-4 Reason Codes for Nonoperational States (continued)**

<b>Reason Code (long version)</b>	<b>Description</b>	<b>Applicable Modes</b>
Isolation due to ELP failure	The port negotiation failed.	Only E ports and TE ports
Isolation due to ESC failure	The port negotiation failed.	
Isolation due to domain overlap	The Fibre Channel domains (fcdomain) overlap.	
Isolation due to domain ID assignment failure	The assigned domain ID is not valid.	
Isolation due to the other side of the link E port isolated	The E port at the other end of the link is isolated.	
Isolation due to invalid fabric reconfiguration	The port is isolated due to fabric reconfiguration.	
Isolation due to domain manager disabled	The fcdomain feature is disabled.	
Isolation due to zone merge failure	The zone merge operation failed.	
Isolation due to VSAN mismatch	The VSANs at both ends of an ISL are different.	
Nonparticipating	FL ports cannot participate in loop operations. It may happen if more than one FL port exists in the same loop, in which case all but one FL port in that loop automatically enters nonparticipating mode.	Only FL ports and TL ports
PortChannel administratively down	The interfaces belonging to the PortChannel are down.	Only PortChannel interfaces
Suspended due to incompatible speed	The interfaces belonging to the PortChannel have incompatible speeds.	
Suspended due to incompatible mode	The interfaces belonging to the PortChannel have incompatible modes.	
Suspended due to incompatible remote switch WWN	An improper connection is detected. All interfaces in a PortChannel must be connected to the same pair of switches.	

[Send documentation comments to mdsfeedback-doc@cisco.com](mailto:mdsfeedback-doc@cisco.com)

## Configuring Fibre Channel Interfaces

To configure a Fibre Channel interface, follow these steps:

	Command	Purpose
Step 1	switch# <b>config t</b>	Enters configuration mode.
Step 2	switch(config)# <b>interface fc1/1</b> switch(config-if)#	Selects a Fibre Channel interface and enters interface configuration submode.  <b>Note</b> When a Fibre Channel interface is configured, it is automatically assigned a unique world wide name (WWN). If the interface's operational state is up, it is also assigned a Fibre Channel ID (FC ID).

To configure a range of interfaces, follow these steps:

	Command	Purpose
Step 1	switch# <b>config t</b>	Enters configuration mode.
Step 2	switch(config)# <b>interface fc1/1 - 4 , fc2/1 - 3</b> switch(config-if)#	Selects the range of Fibre Channel interfaces and enters interface configuration submode3.  <b>Note</b> In this command, provide a space before and after the comma.

For the Cisco Fabric Switch for HP c-Class BladeSystem and the Cisco Fabric Switch for IBM BladeCenter, you can configure a range of interfaces among internal ports or external ports, but you cannot mix both interface types within the same range. For example, “bay 1-10, bay 12” or “ext 0, ext 15-18” are valid ranges, but “bay 1-5, ext 15-17” is not.

***Send documentation comments to [mdsfeedback-doc@cisco.com](mailto:mdsfeedback-doc@cisco.com)***

## Graceful Shutdown

Interfaces on a port are shutdown by default (unless you modified the initial configuration).

The Cisco SAN-OS software implicitly performs a graceful shutdown in response to either of the following actions for interfaces operating in the E port mode:

- If you shut down an interface.
- If a Cisco SAN-OS software application executes a port shutdown as part of its function.

A graceful shutdown ensures that no frames are lost when the interface is shutting down. When a shutdown is triggered either by you or the Cisco SAN-OS software, the switches connected to the shutdown link coordinate with each other to ensure that all frames in the ports are safely sent through the link before shutting down. This enhancement reduces the chance of frame loss.

A graceful shutdown is not possible in the following situations:

- If you physically remove the port from the switch.
- If in-order-delivery (IOD) is enabled (see [“In-Order Delivery” section on page 26-13](#)).
- If the `Min_LS_interval` interval is higher than 10 seconds (see [“FSPF Global Configuration” section on page 26-4](#)).



### Note

This feature is only triggered if both switches at either end of this E port interface are MDS switches and are running Cisco SAN-OS Release 2.0(1b) or later.

## Setting the Interface Administrative State

To gracefully shut down an interface, follow these steps:

	Command	Purpose
Step 1	<code>switch# config t</code>	Enters configuration mode.
Step 2	<code>switch(config)# interface fc1/1</code>	Selects a Fibre Channel interface and enters interface configuration submode.
Step 3	<code>switch(config-if)# shutdown</code>	Gracefully shuts down the interface and administratively disables traffic flow (default).

To enable traffic flow, follow these steps:

	Command	Purpose
Step 1	<code>switch# config t</code>	Enters configuration mode.
Step 2	<code>switch(config)# interface fc1/1</code>	Selects a Fibre Channel interface and enters interface configuration submode.
Step 3	<code>switch(config-if)# no shutdown</code>	Enables traffic flow to administratively allow traffic when the <b>no</b> prefix is used (provided the operational state is up).

[Send documentation comments to mdsfeedback-doc@cisco.com](mailto:mdsfeedback-doc@cisco.com)

## Configuring Interface Modes

To configure the interface mode, follow these steps:

	Command	Purpose
<b>Step 1</b>	switch# <b>config t</b>	Enters configuration mode.
<b>Step 2</b>	switch(config)# <b>interface fc1/1</b> switch(config-if)#	Selects a Fibre Channel interface and enters interface configuration submenu.
<b>Step 3</b>	switch(config-if)# <b>switchport mode F</b> switch(config-if)#	Configures the administrative mode of the port. You can set the operational state to auto, E, F, FL, Fx, TL, or SD port mode.  <b>Note</b> Fx ports refers to an F port or an FL port (host connection only), but not E ports.
	switch(config-if)# <b>switchport mode auto</b> switch(config-if)#	Configures the interface mode to auto-negotiate an E, F, FL, or TE port mode (not TL or SD port modes) of operation.  <b>Note</b> TL ports and SD ports cannot be configured automatically. They must be administratively configured.  <b>Note</b> You cannot configure Fibre Channel interfaces on SSMs in auto mode.

## Configuring System Default Port Mode F

The **system default switchport mode F** command sets the administrative mode of all Fibre Channel ports to mode F, while avoiding traffic disruption caused by the formation of unwanted inter-switch links (ISLs). This command is part of the setup utility that runs during bootup after a **write erase** or **reload**. It can also be executed from the command line in configuration mode. This command changes the configuration of the following ports to administrative mode F:

- All ports that are down and that are not out-of-service.
- All F ports that are up, whose operational mode is F, and whose administrative mode is not F.

This command does not affect the configuration of the following ports:

- All user-configured ports, even if they are down.
- All non-F ports that are up; however, if non-F ports are down, this command changes the administrative mode of those ports.

[Example 13-1](#) shows the command in the setup utility, and [Example 13-2](#) shows the command from the command line.

### Example 13-1 Setup Utility

```
Configure default switchport mode F (yes/no) [n]: y
```

### Example 13-2 Command Line

```
switch(config)# system default switchport mode F
```

**Send documentation comments to [mdsfeedback-doc@cisco.com](mailto:mdsfeedback-doc@cisco.com)**

**Note**

To ensure that ports that are part of ISLs do not get changed to port mode F, configure the ports in port mode E, rather than in Auto mode.

**Note**

When the command is executed from the command line, switch operation remains graceful. No ports are flapped.

To sets the administrative mode of Fibre Channel ports to mode F in the CLI, follow these steps:

	Command	Purpose
Step 1	switch# <b>config t</b>	Enters configuration mode.
Step 2	switch(config)# <b>system default</b> switchport mode <b>F</b>	Sets the administrative mode of Fibre Channel ports to mode F (if applicable).
	switch(config)# <b>no system default</b> switchport mode <b>F</b>	Sets the administrative mode of Fibre Channel ports to the default (unless user configured).

**Note**

For detailed information about the switch setup utility see [Chapter 5, “Initial Configuration.”](#)

## Configuring Port Speeds

By default, the portspeed for an interface is automatically calculated by the switch.

**Caution**

Changing the port speed is a disruptive operation.

To configure the port speed of the interface, follow these steps:

	Command	Purpose
Step 1	switch# <b>config t</b>	Enters configuration mode.
Step 2	switch(config)# <b>interface fc 1/1</b>	Selects the mgmt0 interface and enters interface configuration mode.
Step 3	switch(config-if)# <b>switchport speed 1000</b>	Configures the port speed of the interface to 1000 Mbps.  The number indicates the speed in megabits per second (Mbps). You can set the speed to <b>1000</b> (for 1-Gbps interfaces), <b>2000</b> (for 2-Gbps interfaces), <b>4000</b> (for 4-Gbps interfaces), or <b>auto</b> (default).
	switch(config-if)# <b>no switchport speed</b>	Reverts the factory default ( <b>auto</b> ) administrative speed of the interface.

For *internal ports* on the Cisco Fabric Switch for HP c\_Class BladeSystem and Cisco Fabric Switch for IBM BladeCenter a port speed of 1 Gbps is not supported. Auto-negotiation is supported between 2 Gbps and 4 Gbps only. Also, if the BladeCenter is a “T” chassis, then port speeds are fixed at 2 Gbps and auto-negotiation is not enabled.

**Send documentation comments to [mdsfeedback-doc@cisco.com](mailto:mdsfeedback-doc@cisco.com)**

## Autosensing

Autosensing speed is enabled on all 4-Gbps switching module interfaces by default. This configuration enables the interfaces to operate at speeds of 1 Gbps, 2 Gbps, or 4 Gbps on the 4-Gbps switching modules. When autosensing is enabled for an interface operating in dedicated rate mode, 4-Gbps of bandwidth is reserved, even if the port negotiates at an operating speed of 1-Gbps or 2-Gbps.

To avoid wasting unused bandwidth on 48-port and 24-port 4-Gbps Fibre Channel switching modules, you can specify that only 2 Gbps of required bandwidth be reserved, not the default of 4 Gbps. This feature shares the unused bandwidth within the port group provided that it does not exceed the rate limit configuration for the port. You can also use this feature for shared rate ports that are configured for autosensing.



**Tip**

When migrating a host that supports up to 2-Gbps traffic (that is, not 4-Gbps with autosensing capabilities) to the 4-Gbps switching modules, use autosensing with a maximum bandwidth of 2-Gbps.

## Enabling N Port Identifier Virtualization

You must globally enable NPIV for all VSANs on the MDS switch to allow the NPIV-enabled applications to use multiple N port identifiers.



**Note**

All of the N port identifiers are allocated in the same VSAN.

To enable or disable NPIV on the switch, follow these steps:

	Command	Purpose
Step 1	switch# <b>config t</b>	Enters configuration mode.
Step 2	switch(config)# <b>npiv enable</b>	Enables NPIV for all VSANs on the switch.
Step 3	switch(config)# <b>no npiv enable</b>	Disables (default) NPIV on the switch.

## About Interface Descriptions

Interface descriptions should help you identify the traffic or use for that interface. The interface description can be any alphanumeric string.

## Configuring the Interface Description

To configure a description for an interface, follow these steps:

	Command	Purpose
Step 1	switch# <b>config t</b>	Enters configuration mode.
Step 2	switch(config)# <b>interface fc1/1</b> switch(config-if)#	Selects a Fibre Channel interface and enters interface configuration submode.

**Send documentation comments to [mdsfeedback-doc@cisco.com](mailto:mdsfeedback-doc@cisco.com)**

	Command	Purpose
Step 3	<code>switch(config-if)# <b>switchport description cisco-HBA2</b></code>	Configures the description of the interface. The string can be up to 80 characters long.
	<code>switch(config-if)# <b>no switchport description</b></code>	Clears the description of the interface.

## About Frame Encapsulation

The `switchport encaps eisl` command only applies to SD port interfaces. This command determines the frame format for all frames transmitted by the interface in SD port mode. If the encaps is set to EISL, all outgoing frames are transmitted in the EISL frame format, irrespective of the SPAN source(s).

The `switchport encaps eisl` command is disabled by default. If you enable encapsulation, all outgoing frames are encapsulated, and you will see a new line (`Encapsulation is eisl`) in the `show interface SD_port_interface` command output (see the “[Encapsulating Frames](#)” section on page 53-11).

## About Receive Data Field Size

You can also configure the receive data field size for Fibre Channel interfaces. If the default data field size is 2112 bytes, the frame length will be 2148 bytes.

## Configuring Receive Data Field Size

You can also configure the receive data field size for Fibre Channel interfaces. If the default data field size is 2112 bytes, the frame length will be 2148 bytes.

To configure the receive data field size, follow these steps:

	Command	Purpose
Step 1	<code>switch# <b>config t</b></code>	Enters configuration mode.
Step 2	<code>switch(config)# <b>interface fc1/1</b></code> <code>switch(config-if)#</code>	Selects a Fibre Channel interface and enters interface configuration submenu.
Step 3	<code>switch(config-if)# <b>switchport fcrxbufsize 2000</b></code>	Reduces the data field size for the selected interface to 2000 bytes. The default is 2112 bytes and the range is from 256 to 2112 bytes.

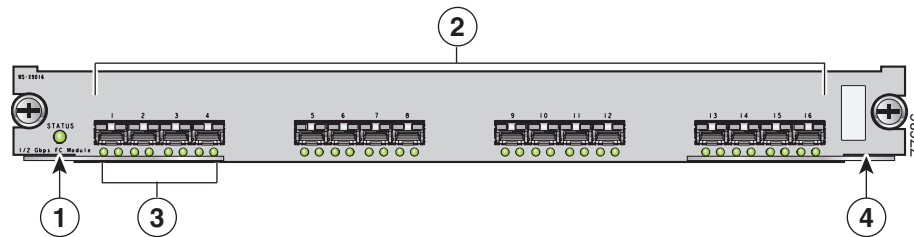
## Identifying the Beacon LEDs

Figure 13-3 displays the status, link, and speed LEDs in a 16-port switching module.



**Send documentation comments to [mdsfeedback-doc@cisco.com](mailto:mdsfeedback-doc@cisco.com)**

**Figure 13-3 Cisco MDS 9000 Family Switch Interface Modes**



<b>1</b>	Status LED <sup>1</sup>	<b>3</b>	Link LEDs <sup>1</sup> and speed LEDs <sup>2</sup>
<b>2</b>	1/2-Gbps Fibre Channel port group <sup>3</sup>	<b>4</b>	Asset tag <sup>4</sup>

1. See the “Identifying Module LEDs” section on page 12-9.
2. See the “About Speed LEDs” section on page 13-17.
3. See the “32-Port Switching Module Configuration Guidelines” section on page 13-2.
4. Refer to the Cisco MDS 9000 Family hardware installation guide for your platform.

## About Speed LEDs

Each port has one link LED on the left and one speed LED on the right.

The speed LED displays the speed of the port interface:

- Off—The interface attached to that port is functioning at 1000 Mbps.
- On (solid green)—The interface attached to that port is functioning at 2000 Mbps (for 2 Gbps interfaces).

The speed LED also displays if the beacon mode is enabled or disabled:

- Off or solid green—Beacon mode is disabled.
- Flashing green—The beacon mode is enabled. The LED flashes at one-second intervals.

## About Beacon Mode

By default, the beacon mode is disabled on all switches. The beacon mode is indicated by a flashing green light that helps you identify the physical location of the specified interface.

Configuring the beacon mode has no effect on the operation of the interface.

## Configuring Beacon Mode

To enable beacon mode for a specified interface or range of interfaces, follow these steps:

	Command	Purpose
<b>Step 1</b>	switch# <b>config t</b> switch(config)#	Enters configuration mode.
<b>Step 2</b>	switch(config)# <b>interface fc1/1</b> switch(config-if)#	Selects a Fibre Channel interface and enters interface configuration submenu.
<b>Step 3</b>	switch(config-if)# <b>switchport beacon</b>	Enables the beacon mode for the interface.
	switch(config-if)# <b>no switchport beacon</b>	Disables the beacon mode for the interface.

**Send documentation comments to [mdsfeedback-doc@cisco.com](mailto:mdsfeedback-doc@cisco.com)**

**Note**

The flashing green light turns on automatically when an external loopback is detected that causes the interfaces to be isolated. The flashing green light overrides the beacon mode configuration. The state of the LED is restored to reflect the beacon mode configuration after the external loopback is removed.

## About Bit Error Thresholds

The bit error rate threshold is used by the switch to detect an increased error rate before performance degradation seriously affects traffic.

The bit errors can occur for the following reasons:

- Faulty or bad cable.
- Faulty or bad GBIC or SFP.
- GBIC or SFP is specified to operate at 1 Gbps but is used at 2 Gbps
- GBIC or SFP is specified to operate at 2 Gbps but is used at 4 Gbps
- Short haul cable is used for long haul or long haul cable is used for short haul.
- Momentary sync loss
- Loose cable connection at one or both ends.
- Improper GBIC or SFP connection at one or both ends

A bit error rate threshold is detected when 15 error bursts occur in a 5-minute period. By default, the switch disables the interface when the threshold is reached. You can issue **shutdown/no shutdown** command sequence to reenab the interface.

You can configure the switch to not disable an interface when the threshold is crossed. By default, the threshold disables the interface.

To disable the bit error threshold for an interface, follow these steps:

	Command	Purpose
<b>Step 1</b>	switch# <b>config t</b>	Enters configuration mode.
<b>Step 2</b>	switch(config)# <b>interface fc1/1</b> switch(config-if)#	Selects a Fibre Channel interface and enters interface configuration submenu.
<b>Step 3</b>	switch(config-if)# <b>switchport ignore bit-errors</b>	Prevents the detection of bit error threshold events from disabling the interface.
	switch(config-if)# <b>no switchport ignore bit-errors</b>	Prevents the detection of bit error threshold events from enabling the interface.

**Note**

Regardless of the setting of the **switchport ignore bit-errors** command, the switch generates a syslog message when bit error threshold events are detected.

[Send documentation comments to mdsfeedback-doc@cisco.com](mailto:mdsfeedback-doc@cisco.com)

## Switch Port Attribute Default Values

You can configure attribute default values for various switch port attributes. These attributes will be applied globally to all future switch port configurations, even if you do not individually specify them at that time.

To configure switch port attributes, follow these steps:

	Command	Purpose
Step 1	switch# <b>confi g t</b>	Enters configuration mode.
Step 2	switch(config)# <b>no system default switchport shutdown</b> switch(config)#	Configures the default setting for administrative state of an interface as Up. (The factory default setting is Down).  <b>Tip</b> This command is applicable only to interfaces for which no user configuration exists for the administrative state.
	switch(config)# <b>system default switchport shutdown</b> switch(config)#	Configures the default setting for administrative state of an interface as Down. This is the factory default setting.  <b>Tip</b> This command is applicable only to interfaces for which no user configuration exists for the administrative state.
	switch(config)# <b>system default switchport trunk mode auto</b> switch(config)#	Configures the default setting for administrative trunk mode state of an interface as Auto.  <b>Note</b> The default setting is trunk mode on.

## About SFP Transmitter Types

The small form-factor pluggable (SFP) hardware transmitters are identified by their acronyms when displayed in the **show interface brief** command. If the related SFP has a Cisco-assigned extended ID, then the **show interface** and **show interface brief** commands display the ID instead of the transmitter type. The **show interface transceiver** command and the **show interface fcslot/port transceiver** command display both values for Cisco supported SFPs. [Table 13-5](#) defines the acronyms used in the command output (see the “[Displaying Interface Information](#)” section on page 13-20).

**Table 13-5 SFP Transmitter Acronym Definitions**

Definition	Acronym
<b>Standard transmitters defined in the GBIC specifications</b>	
short wave laser	swl
long wave laser	lwl
long wave laser cost reduced	lwcr
electrical	elec
<b>Extended transmitters assigned to Cisco-supported SFPs</b>	
CWDM-1470	c1470
CWDM-1490	c1490
CWDM-1510	c1510

**Send documentation comments to [mdsfeedback-doc@cisco.com](mailto:mdsfeedback-doc@cisco.com)**

**Table 13-5 SFP Transmitter Acronym Definitions (continued)**

Definition	Acronym
<b>Standard transmitters defined in the GBIC specifications</b>	
CWDM-1530	c1530
CWDM-1550	c1550
CWDM-1570	c1570
CWDM-1590	c1590
CWDM-1610	c1610

## Displaying Interface Information

The **show interface** command is invoked from the EXEC mode and displays the interface configurations. Without any arguments, this command displays the information for all the configured interfaces in the switch. See Examples 13-3 to 13-10.

### Example 13-3 Display All Interfaces

```
switch# show interface
fc1/1 is up
  Hardware is Fibre Channel, SFP is short wave laser
  Port WWN is 20:0b:00:05:30:00:8d:de
  Admin port mode is F
  Port mode is F, FCID is 0x610000
  Port vsan is 2
  Speed is 2 Gbps
  Transmit B2B Credit is 3
  Receive B2B Credit is 16
  Receive data field Size is 2112
  Beacon is turned off
  5 minutes input rate 0 bits/sec, 0 bytes/sec, 0 frames/sec
  5 minutes output rate 0 bits/sec, 0 bytes/sec, 0 frames/sec
    134 frames input, 8468 bytes
      0 discards, 0 errors
      0 CRC, 0 unknown class
      0 too long, 0 too short
    154 frames output, 46072 bytes
      0 discards, 0 errors
    1 input OLS, 1 LRR, 0 NOS, 0 loop inits
    1 output OLS, 0 LRR, 1 NOS, 0 loop inits
    16 receive B2B credit remaining
    3 transmit B2B credit remaining.
. . .
fc1/9 is trunking
  Hardware is Fibre Channel, SFP is long wave laser cost reduced
  Port WWN is 20:09:00:05:30:00:97:9e
  Peer port WWN is 20:0b:00:0b:5f:a3:cc:00
  Admin port mode is E, trunk mode is on
  Port mode is TE
  Port vsan is 100
  Speed is 2 Gbps
  Transmit B2B Credit is 255
  Receive B2B Credit is 255
  Receive data field Size is 2112
  Beacon is turned off
  Trunk vsans (admin allowed and active) (1,100,3000)
```

**Send documentation comments to [mdsfeedback-doc@cisco.com](mailto:mdsfeedback-doc@cisco.com)**

```

Trunk vsans (up) (1,100,3000)
Trunk vsans (isolated) ()
Trunk vsans (initializing) ()
5 minutes input rate 280 bits/sec, 35 bytes/sec, 0 frames/sec
5 minutes output rate 176 bits/sec, 22 bytes/sec, 0 frames/sec
4609939 frames input, 8149405708 bytes
    0 discards, 0 errors
    0 CRC, 0 unknown class
    0 too long, 0 too short
4638491 frames output, 7264731728 bytes
    0 discards, 0 errors
    3 input OLS, 9 LRR, 1 NOS, 0 loop inits
    9 output OLS, 7 LRR, 1 NOS, 0 loop inits
    16 receive B2B credit remaining
    3 transmit B2B credit remaining.
. . .
fc1/13 is up
Hardware is Fibre Channel, SFP is short wave laser
Port WWN is 20:0d:00:05:30:00:97:9e
Admin port mode is auto, trunk mode is on
Port mode is F, FCID is 0x650100
Port vsan is 100
Speed is 2 Gbps
Transmit B2B Credit is 3
Receive B2B Credit is 16
Receive data field Size is 2112
Beacon is turned off
5 minutes input rate 0 bits/sec, 0 bytes/sec, 0 frames/sec
5 minutes output rate 0 bits/sec, 0 bytes/sec, 0 frames/sec
8696 frames input, 3227212 bytes
    0 discards, 0 errors
    0 CRC, 0 unknown class
    0 too long, 0 too short
16799 frames output, 6782444 bytes
    0 discards, 0 errors
    0 input OLS, 0 LRR, 0 NOS, 0 loop inits
    1 output OLS, 1 LRR, 0 NOS, 1 loop inits
    16 receive B2B credit remaining
    3 transmit B2B credit remaining.
. . .
sup-fc0 is up
Hardware is Fibre Channel
Speed is 1 Gbps
139597 packets input, 13852970 bytes
    0 multicast frames, 0 compressed
    0 input errors, 0 frame, 0 overrun 0 fifo
139516 packets output, 16759004 bytes, 0 underruns
    0 output errors, 0 collisions, 0 fifo
    0 carrier errors

```

You can also specify arguments (a range of interfaces or multiple, specified interfaces) to display interface information. You can specify a range of interfaces by issuing a command with the following example format:

```
interface fc1/1 - 5 , fc2/5 - 7
```

**Note**

The spaces are required before and after the dash ( - ) and before and after the comma ( , ).

**Example 13-4 Display Multiple, Specified Interfaces**

```
switch# show interface fc3/13 , fc3/16
fc3/13 is up
```

**Send documentation comments to [mdsfeedback-doc@cisco.com](mailto:mdsfeedback-doc@cisco.com)**

```

Hardware is Fibre Channel, SFP is short wave laser
Port WWN is 20:8d:00:05:30:00:97:9e
Admin port mode is FX
Port mode is F, FCID is 0x7b0300
Port vsan is 1
Speed is 2 Gbps
Transmit B2B Credit is 3
Receive B2B Credit is 12
Receive data field Size is 2112
Beacon is turned off
5 minutes input rate 0 bits/sec, 0 bytes/sec, 0 frames/sec
5 minutes output rate 0 bits/sec, 0 bytes/sec, 0 frames/sec
 1856 frames input, 116632 bytes
   0 discards, 0 errors
   0 CRC, 0 unknown class
   0 too long, 0 too short
 1886 frames output, 887712 bytes
   0 discards, 0 errors
 0 input OLS, 0 LRR, 0 NOS, 1 loop inits
 1 output OLS, 1 LRR, 0 NOS, 1 loop inits
 16 receive B2B credit remaining
 3 transmit B2B credit remaining.

```

```

fc3/16 is up
Hardware is Fibre Channel, SFP is short wave laser
Port WWN is 20:90:00:05:30:00:97:9e
Admin port mode is FX
Port mode is F, FCID is 0x7d0100
Port vsan is 3000
Speed is 2 Gbps
Transmit B2B Credit is 3
Receive B2B Credit is 12
Receive data field Size is 2112
Beacon is turned off
5 minutes input rate 504 bits/sec, 63 bytes/sec, 0 frames/sec
5 minutes output rate 520 bits/sec, 65 bytes/sec, 0 frames/sec
 47050 frames input, 10311824 bytes
   0 discards, 0 errors
   0 CRC, 0 unknown class
   0 too long, 0 too short
 62659 frames output, 10676988 bytes
   0 discards, 0 errors
 0 input OLS, 0 LRR, 0 NOS, 0 loop inits
 1 output OLS, 1 LRR, 0 NOS, 1 loop inits
 16 receive B2B credit remaining
 3 transmit B2B credit remaining.

```

### **Example 13-5 Display a Specific Interface**

```

switch# show interface fc2/2
fc2/2 is trunking
Port description is Trunk to Core-4
Hardware is Fibre Channel, SFP is short wave laser
Port WWN is 20:42:00:05:30:00:97:9e
Peer port WWN is 20:cc:00:05:30:00:50:9e
Admin port mode is E, trunk mode is on
Port mode is TE
Port vsan is 1
Speed is 2 Gbps
Transmit B2B Credit is 255
Receive B2B Credit is 255
Receive data field Size is 2112
Beacon is turned off

```

**Send documentation comments to [mdsfeedback-doc@cisco.com](mailto:mdsfeedback-doc@cisco.com)**

```

Belongs to port-channel 2
Trunk vsans (admin allowed and active) (1,100,3000)
Trunk vsans (up) (1)
Trunk vsans (isolated) (100,3000)
Trunk vsans (initializing) ( )
5 minutes input rate 0 bits/sec, 0 bytes/sec, 0 frames/sec
5 minutes output rate 32 bits/sec, 4 bytes/sec, 0 frames/sec
  2214834 frames input, 98673588 bytes
    0 discards, 0 errors
    0 CRC, 0 unknown class
    0 too long, 0 too short
  2262415 frames output, 343158368 bytes
    0 discards, 0 errors
  1 input OLS, 1 LRR, 1 NOS, 0 loop inits
  2 output OLS, 1 LRR, 0 NOS, 0 loop inits
  16 receive B2B credit remaining
  3 transmit B2B credit remaining.

```

### Example 13-6 Displays Port Description

```
switch# show interface description
```

```

-----
Interface      Description
-----
fc3/1          test intest
fc3/2          --
fc3/3          --
fc3/4          TE port
fc3/5          --
fc3/6          --
fc3/10         Next hop switch 5
fc3/11         --
fc3/12         --
fc3/16         --
-----

```

```

-----
Interface      Description
-----
port-channel 1  --
port-channel 5  --
port-channel 6  --
-----

```

### Example 13-7 Display Interface Information in a Brief Format

```
switch# show interface brief
```

```

-----
Interface  Vsan   Admin  Admin  Status           SFP  Oper  Oper  Port
          Mode  Trunk  Mode                                     Mode Speed Channel
          (Gbps)
-----
fc1/1      1      E      on     trunking         sw1  TE    2    1
fc1/2      1      E      on     trunking         sw1  TE    2    1
fc1/3      1      auto   on     SFPAbsent       --   --    --   --
fc1/4      1      auto   on     SFPAbsent       --   --    --   --
fc1/5      3000   auto   on     up               sw1  F     2    --
...
fc2/2      1      E      on     trunking         sw1  TE    2    2
fc2/3      1      auto   on     down             c1610 --    --   --
fc2/4      1      auto   on     down             c1590 --    --   --
fc2/5      3000   auto   on     notConnected    lwcr --    --   --
fc2/6      1      auto   on     SFPAbsent       --   --    --   --
...

```

**Send documentation comments to [mdsfeedback-doc@cisco.com](mailto:mdsfeedback-doc@cisco.com)**

```
fc3/16      3000  FX    --    up          swl    F      2    --
fc3/17      1      FX    --    SFPAbsent  --    --    --    --
...
```

```
-----
Interface          Status      IP Address      Speed      MTU
-----
GigabitEthernet4/1 SFPAbsent --              auto      1500
...
GigabitEthernet4/6 down       10.1.1.2/8     auto      3000
GigabitEthernet4/7 down       10.1.1.27/24  auto      1500
GigabitEthernet4/8 down       --              auto      1500
-----
```

```
-----
Interface          Status      Oper Mode      Oper Speed
                  (Gbps)
-----
```

```
iscsi4/1          down       --
...
-----
```

```
Interface          Status      Speed
                  (Gbps)
-----
```

```
sup-fc0           up         1
-----
```

```
-----
Interface          Status      IP Address      Speed      MTU
-----
mgmt0              up         172.19.48.96/25 100 Mbps   1500
-----
```

```
-----
Interface          Vsan      Admin      Status      Oper      Oper
                  Mode      Trunk      Mode        Mode      Speed
                  Mode
-----
port-channel 1     1         on         trunking    TE        4
port-channel 2     1         on         trunking    TE        4
-----
```

```
-----
Interface  Vsan  Admin  Admin  Status      Oper  Profile  Port-channel
          Mode  Mode  Trunk  Mode        Mode
          Mode
-----
fcip10    1     auto  on     notConnected --    10     --
-----
```

### Example 13-8 Display Interface Counters

```
switch# show interface counters
fc3/1
  5 minutes input rate 24 bits/sec, 3 bytes/sec, 0 frames/sec
  5 minutes output rate 16 bits/sec, 2 bytes/sec, 0 frames/sec
  3502 frames input, 268400 bytes
    0 discards, 0 CRC, 0 unknown class
    0 too long, 0 too short
  3505 frames output, 198888 bytes
    0 discards
  1 input OLS, 1 LRR, 1 NOS, 0 loop inits
  2 output OLS, 1 LRR, 1 NOS, 0 loop inits
  1 link failures, 1 sync losses, 1 signal losses
.
.
.
fc9/8
  5 minutes input rate 0 bits/sec, 0 bytes/sec, 0 frames/sec
```



**Send documentation comments to [mdsfeedback-doc@cisco.com](mailto:mdsfeedback-doc@cisco.com)**

```

5 minutes output rate 0 bits/sec, 0 bytes/sec, 0 frames/sec
0 frames input, 0 bytes
  0 class-2 frames, 0 bytes
  0 class-3 frames, 0 bytes
  0 class-f frames, 0 bytes
  0 discards, 0 CRC, 0 unknown class
  0 too long, 0 too short
0 frames output, 0 bytes
  0 class-2 frames, 0 bytes
  0 class-3 frames, 0 bytes
  0 class-f frames, 0 bytes
  0 discards
0 input OLS, 0 LRR, 0 NOS, 0 loop inits
0 output OLS, 0 LRR, 0 NOS, 0 loop inits
0 link failures, 0 sync losses, 0 signal losses
  16 receive B2B credit remaining
  3 transmit B2B credit remaining.
. . .
sup-fc0
114000 packets input, 11585632 bytes
  0 multicast frames, 0 compressed
  0 input errors, 0 frame, 0 overrun 0 fifo
113997 packets output, 10969672 bytes, 0 underruns
  0 output errors, 0 collisions, 0 fifo
  0 carrier errors

mgmt0
31557 packets input, 2230860 bytes
  0 multicast frames, 0 compressed
  0 input errors, 0 frame, 0 overrun 0 fifo
26618 packets output, 16824342 bytes, 0 underruns
  0 output errors, 0 collisions, 7 fifo
  0 carrier errors

vsan1
  0 packets input, 0 bytes, 0 errors, 0 multicast
  0 packets output, 0 bytes, 0 errors, 0 dropped
.
.
.
port-channel 1
5 minutes input rate 0 bits/sec, 0 bytes/sec, 0 frames/sec
5 minutes output rate 0 bits/sec, 0 bytes/sec, 0 frames/sec
0 frames input, 0 bytes
  0 class-2 frames, 0 bytes
  0 class-3 frames, 0 bytes
  0 class-f frames, 0 bytes
  0 discards, 0 CRC, 0 unknown class
  0 too long, 0 too short
0 frames output, 0 bytes
  0 class-2 frames, 0 bytes
  0 class-3 frames, 0 bytes
  0 class-f frames, 0 bytes
  0 discards
0 input OLS, 0 LRR, 0 NOS, 0 loop inits
0 output OLS, 0 LRR, 0 NOS, 0 loop inits
0 link failures, 0 sync losses, 0 signal losses

```

**Note**


---

Interfaces 9/8 and 9/9 are not trunking ports and display class 2, 3, and F information as well.

---

**Send documentation comments to [mdsfeedback-doc@cisco.com](mailto:mdsfeedback-doc@cisco.com)**

### Example 13-9 Display Interface Counters in Brief Format

```
switch# show interface counters brief
```

```
-----
Interface          Input (rate is 5 min avg)      Output (rate is 5 min avg)
-----
Rate      Total                Rate      Total
Mbits/s   Frames                Mbits/s   Frames
-----
fc3/1      0          3871                0          3874
fc3/2      0          3902                0          4232
fc3/3      0          3901                0          4138
fc3/4      0          3895                0          3894
fc3/5      0          3890                0          3897
fc9/8      0          0                   0          0
fc9/9      0          5                   0          4
fc9/10     0          4186               0          4182
fc9/11     0          4331                0          4315
-----
```

```
-----
Interface          Input (rate is 5 min avg)      Output (rate is 5 min avg)
-----
Rate      Total                Rate      Total
Mbits/s   Frames                Mbits/s   Frames
-----
port-channel 1    0          0                   0          0
port-channel 2    0          3946               0          3946
-----
```



#### Note

The **show interface transceiver** command can only be issued on a switch in the Cisco MDS 9100 Series if the SFP is present (see [Example 13-10](#)).

### Example 13-10 Display Transceiver Information

```
switch# show interface transceiver
fc1/1 SFP is present
  name is CISCO-AGILENT
  part number is QFBR-5796L
  revision is
  serial number is A00162193
  fc-transmitter type is short wave laser
  cisco extended id is unknown (0x0)
...
fc1/9 SFP is present
  name is FINISAR CORP.
  part number is FTRJ-1319-7D-CSC
  revision is
  serial number is H11A6ER
  fc-transmitter type is long wave laser cost reduced
  cisco extended id is unknown (0x0)
...
```

[Example 13-11](#) displays the entire running configuration with information for all interfaces. The interfaces have multiple entries in the configuration files to ensure that the interface configuration commands execute in the correct order when the switch reloads.

### Example 13-11 Display the Running Configuration for All Interfaces

```
switch# show running-config
```

**Send documentation comments to [mdsfeedback-doc@cisco.com](mailto:mdsfeedback-doc@cisco.com)**

```
...
interface fc9/1
  switchport speed 2000
...
interface fc9/1
  switchport mode E
...
interface fc9/1
  channel-group 11 force
  no shutdown
```

**Example 13-12** displays the running configuration information for a specified interface. The interface configuration commands are grouped together

**Example 13-12 Display the Running Configuration for a Specified Interface**

```
switch# show running-config interface fc1/1
interface fc9/1
  switchport speed 2000
  switchport mode E
  channel-group 11 force
  no shutdown
```

**Example 13-13** displays the running configuration after the **system default switchport mode F** command is executed. **Example 13-14** displays the running configuration after two interfaces are individually configured for mode FL.

**Example 13-13 Display the Running Configuration After the System Default Switchport Mode F Command is Executed**

```
switch# show running-config
version 3.1(3)
system default switchport mode F
interface fc4/1
interface fc4/2
interface fc4/3
interface fc4/4
interface fc4/5
interface fc4/6
interface fc4/7
interface fc4/8
interface fc4/9
interface fc4/10
```

**Example 13-14 Display the Running Configuration After Two Interfaces Are Individually Configured for Mode FL**

```
switch# show running-config
version 3.1(3)
system default switchport mode F
interface fc4/1
  switchport mode FL
interface fc4/2
interface fc4/3
  switchport mode FL
interface fc4/4
interface fc4/5
interface fc4/6
interface fc4/7
interface fc4/8
```

**Send documentation comments to [mdsfeedback-doc@cisco.com](mailto:mdsfeedback-doc@cisco.com)**

```
interface fc4/9
interface fc4/1
```

**Example 13-15** displays interface information in a brief format after the **system default switchport mode F** command is executed. **Example 13-16** displays interface information in a brief format after two interfaces are individually configured for mode FL.

**Example 13-15 Display Interface Information in a Brief Format After the System Default Switchport Mode F Command is Executed**

```
switch# sh int brief
-----
Interface  Vsan   Admin  Admin  Status          SFP   Oper  Oper  Port
          Mode   Mode   Mode
          Mode   Mode
-----
fc4/1      1       F       --     notConnected    swl   --    --    --
fc4/2      1       F       --     notConnected    swl   --    --    --
fc4/3      1       F       --     notConnected    swl   --    --    --
fc4/4      1       F       --     notConnected    swl   --    --    --
fc4/5      1       F       --     sfpAbsent       --    --    --    --
fc4/6      1       F       --     sfpAbsent       --    --    --    --
fc4/7      1       F       --     sfpAbsent       --    --    --    --
fc4/8      1       F       --     sfpAbsent       --    --    --    --
fc4/9      1       F       --     sfpAbsent       --    --    --    --
```

**Example 13-16 Display Interface Information in a Brief Format After Two Interfaces Are Individually Configured for Mode FL**

```
switch# show interface brief
-----
Interface  Vsan   Admin  Admin  Status          SFP   Oper  Oper  Port
          Mode   Mode   Mode
          Mode   Mode
-----
fc4/1      1       FL      --     notConnected    swl   --    --    --
fc4/2      1       F       --     notConnected    swl   --    --    --
fc4/3      1       FL      --     notConnected    swl   --    --    --
fc4/4      1       F       --     notConnected    swl   --    --    --
fc4/5      1       F       --     sfpAbsent       --    --    --    --
fc4/6      1       F       --     sfpAbsent       --    --    --    --
fc4/7      1       F       --     sfpAbsent       --    --    --    --
fc4/8      1       F       --     sfpAbsent       --    --    --    --
fc4/9      1       F       --     sfpAbsent       --    --    --    --
fc4/10     1       F       --     sfpAbsent       --    --    --    --
```

## TL Ports for Private Loops

Private loops require setting the interface mode to TL. This section describes TL ports and includes the following sections:

- [About TL Ports, page 13-29](#)
- [About TL Port ALPA Caches, page 13-30](#)
- [Displaying TL Port Information, page 13-30](#)
- [Manually Inserting Entries into ALPA Cache, page 13-32](#)

## Send documentation comments to [mdsfeedback-doc@cisco.com](mailto:mdsfeedback-doc@cisco.com)

- [Displaying the ALPA Cache Contents, page 13-32](#)
- [Clearing the ALPA Cache, page 13-32](#)

## About TL Ports

TL port mode is not supported on the following:

- Generation 2 switching module interfaces
- Cisco MDS 9124 Fabric Switch
- Cisco Fabric Switch for HP c-Class BladeSystem
- Cisco Fabric Switch for IBM BladeCenter

Private loop devices refer to legacy devices that reside on arbitrated loops. These devices are not aware of a switch fabric because they only communicate with devices on the same physical loop.

The legacy devices are used in Fibre Channel networks and devices outside the loop may need to communicate with them. The communication functionality is provided through TL ports. See the [“About Interface Modes” section on page 13-3](#).

Follow these guidelines when configuring private loops:

- A maximum of 64 fabric devices can be proxied to a private loop.
- Fabric devices must be in the same zone as private loop devices to be proxied to the private loop.
- Each private device on a TL port may be included in a different zone.
- All devices on the loop are treated as private loops. You cannot mix private and public devices on the loop if the configured port mode is TL.
- The only FC4-type supported by TL ports is SCSI (FCP).
- Communication between a private initiator to a private target on the same private loop does not invoke TL port services.

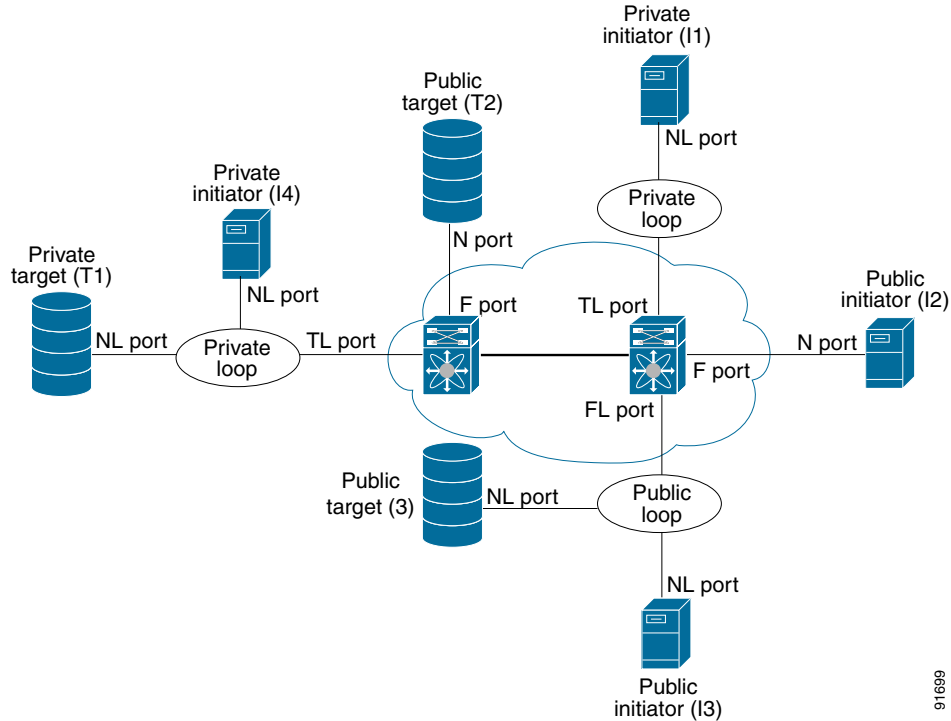
[Table 13-6](#) lists the TL port translations supported in Cisco MDS 9000 Family switches. [Figure 13-4](#) shows examples of TL port translation support.

**Table 13-6 Supported TL Port Translations**

Translation from	Translation to	Example
Private initiator	Private target	From I1 to T1 or vice versa
Private initiator	Public target — N port	From I1 to T2 or vice versa
Private initiator	Public target — NL port	From I4 to T3 or vice versa
Public initiator — N port	Private target	From I2 to T1 or vice versa
Public initiator — NL port	Private target	From I3 to T1 or vice versa

**Send documentation comments to [mdsfeedback-doc@cisco.com](mailto:mdsfeedback-doc@cisco.com)**

**Figure 13-4 TL Port Translation Support Examples**



91691

## About TL Port ALPA Caches

Although TL ports cannot be automatically configured, you can manually configure entries in arbitrated loop physical address (ALPA) caches. Generally, ALPA cache entries are automatically populated when an ALPA is assigned to a device. Each device is identified by its port world wide name (pWWN). When a device is allocated an ALPA, an entry for that device is automatically created in the ALPA cache.

A cache contains entries for recently allocated ALPA values. These caches are maintained on various TL ports. If a device already has an ALPA, the Cisco SAN-OS software attempts to allocate the same ALPA to the device each time. The ALPA cache is maintained in persistent storage and saves information across switch reboots. The maximum cache size is 1000 entries. If the cache is full, and a new ALPA is allocated, the Cisco SAN-OS software discards an inactive cache entry (if available) to make space for the new entry. See the “TL Port” section on page 13-5 for more information on TL ports.

## Displaying TL Port Information

Private loop devices refer to legacy devices that reside on arbitrated loops. These devices are not aware of a switch fabric because they only communicate with devices on the same physical loop.

The legacy devices are used in Fibre Channel networks and devices outside the loop may need to communicate with them. The communication functionality is provided through TL ports.

Use the **switchport mode** command to configure a TL port (see the “Configuring Interface Modes” section on page 13-13).

## Send documentation comments to [mdsfeedback-doc@cisco.com](mailto:mdsfeedback-doc@cisco.com)

The **show tlport** command displays the TL port interface configurations. This command provides a list of all TL ports configured in a switch and shows the associated VSAN, the FC ID for the port (only domain and area are valid), and the current operational state of the TL port (up or initializing). See [Example 13-17](#) through [Example 13-20](#).

### Example 13-17 Displays the TL Ports in All VSANs

```
switch# show tlport list
-----
Interface Vsan FC-ID   State
-----
fc1/16    1    0x420000 Init
fc2/26    1    0x150000 Up
```

TL ports allow a private device (devices that physically reside on the loop) to see a fabric device and vice-versa by proxying fabric devices on the loop. Fabric devices are proxied by allocating each fabric device an ALPA on this loop.

In addition to these proxied devices, other virtual devices (local or remote domain controller addresses) are also allocated ALPAs on the loop. A switch reserves the ALPA for its own communication with private devices, and the switch acts as a SCSI initiator.

The first column in the output of the **show tlport interface** command is the ALPA identity of the device on the loop. The columns that follow include the port WWNs, the node WWNs for each device, the device as a SCSI initiator or target, and the real FC ID of the device.

### Example 13-18 Displays the Detailed Information for a Specific TL Port

```
switch# show tlport interface fc1/16 all
fc1/16 is up, vsan 1, FCID 0x420000
-----
alpa pWWN                nWWN                SCSI Type Device  FC-ID
-----
0x01 20:10:00:05:30:00:4a:de 20:00:00:05:30:00:4a:de Initiator Proxied 0xfffc42
0x73 22:00:00:20:37:39:ae:54 20:00:00:20:37:39:ae:54 Target    Private 0x420073
0xef 20:10:00:05:30:00:4a:de 20:00:00:05:30:00:4a:de Initiator Switch  0x0000ef
```

### Example 13-19 Displays TL Port Information for Private Devices

```
switch# show tlport interface fc 1/16 private
fc1/16 is up, vsan 1, FCID 0x420000
-----
alpa pWWN                nWWN                SCSI Type FC-ID
-----
0x73 22:00:00:20:37:39:ae:54 20:00:00:20:37:39:ae:54 Target    0x420073
0x74 22:00:00:20:37:38:d3:de 20:00:00:20:37:38:d3:de Target    0x420074
```

### Example 13-20 Displays TL Port Information for Proxied Devices

```
switch# show tlport interface fc 1/16 proxied
fc1/16 is up, vsan 1, FCID 0x420000
-----
alpa pWWN                nWWN                SCSI Type FC-ID
-----
0x01 20:10:00:05:30:00:4a:de 20:00:00:05:30:00:4a:de Initiator 0xfffc42
0x02 21:00:00:e0:8b:01:95:e7 20:00:00:e0:8b:01:95:e7 Initiator 0x420100
```

[Send documentation comments to mdsfeedback-doc@cisco.com](mailto:mdsfeedback-doc@cisco.com)

## Manually Inserting Entries into ALPA Cache

To manually insert entries into the ALPA cache, follow these steps:

	Command	Purpose
Step 1	switch# <b>config t</b>	Enters configuration mode.
Step 2	switch(config)# <b>tlport alpa-cache interface fc1/2 pwwn 22:00:00:20:37:46:09:bd alpa 0x02</b>	Configures manual entries into the ALPA cache.
Step 3	switch(config)# <b>tlport alpa-cache interface fc1/3 pwwn 22:00:00:20:37:46:09:bd</b>	Removes this entry from the ALPA cache.

## Displaying the ALPA Cache Contents

The **show tlport alpa-cache** command displays the contents of the ALPA cache.

```
switch# show tlport alpa-cache
-----
alpa                pWWN                Interface
-----
0x02  22:00:00:20:37:46:09:bd  fc1/2
0x04  23:00:00:20:37:46:09:bd  fc1/2
```

The first entry indicates that if a device with a pWWN of 22:00:00:20:37:46:09:bd is exported on TL port fc1/2, then the pWWN is allocated an alpa 0x02 (if available).

## Clearing the ALPA Cache

The **clear tlport alpa-cache** command clears the entire content of the ALPA cache.

## Buffer Credits

Fibre Channel interfaces use buffer credits to ensure all packets are delivered to their destination. This section describes the different buffer credits available on the Cisco MDS Family switches and includes the following topics:

- [About Buffer-to-Buffer Credits, page 13-32](#)
- [Configuring Buffer-to-Buffer Credits, page 13-33](#)
- [About Performance Buffers, page 13-34](#)
- [Configuring Performance Buffers, page 13-34](#)
- [About Extended BB\\_credits, page 13-34](#)
- [Configuring Extended BB\\_credits, page 13-36](#)
- [Displaying BB\\_Credit Information, page 13-37](#)

## About Buffer-to-Buffer Credits

Buffer-to-buffer credits (BB\_credits) are a flow control mechanism to ensure that FC switches do not run out of buffers, because switches must not drop frames. BB\_credits are negotiated on a per-hop basis.



## Send documentation comments to [mdsfeedback-doc@cisco.com](mailto:mdsfeedback-doc@cisco.com)

The receive BB\_credit (`fcrxbbcredit`) value may be configured for each FC interface. In most cases, you do not need to modify the default configuration.



### Note

The receive BB\_credit values depend on the module type and the port mode, as follows:

- For 16-port switching modules and full rate ports, the default value is 16 for Fx mode and 255 for E or TE modes. The maximum value is 255 in all modes. This value can be changed as required.
- For 32-port switching modules and host-optimized ports, the default value is 12 for Fx, E, and TE modes. These values cannot be changed.
- For Generation 2 switching modules, see the “Buffer Pools” section on page 15-8.



### Note

In the Cisco MDS 9100 Series, the left most groups of ports outlined in white (4 ports in the 9120 switch and 8 ports in the 9140 switch) are full line rate like the 16-port switching module. The other ports (16 ports in the 9120 switch and 32 ports in the 9140 switch) are host-optimized like the 32-port switching module. Each group of 4 host-optimized ports have the same rules as for the 32-port switching module.

## Configuring Buffer-to-Buffer Credits

To configure BB\_credits for a Fibre Channel interface, follow these steps:

	Command	Purpose
Step 1	switch# <b>config t</b> switch(config)#	Enters configuration mode.
Step 2	switch(config)# <b>interface fc1/1</b> switch(config-if)#	Selects a Fibre Channel interface and enters interface configuration submenu.
Step 3	switch(config-if)# <b>switchport fcrxbbcredit default</b>	Applies the default operational value to the selected interface. The operational value depends on the port mode. The default values are assigned based on the port capabilities.
	switch(config-if)# <b>switchport fcrxbbcredit 5</b>	Assigns a BB_credit of 5 to the selected interface. The range to assign BB_credits is between 1 and 255.
	switch(config-if)# <b>switchport fcrxbbcredit 5 mode E</b>	Assigns this value if the port is operating in E or TE mode. The range to assign BB_credits is between 1 and 255.
	switch(config-if)# <b>switchport fcrxbbcredit 5 mode Fx</b>	Assigns this value if the port is operating in F or FL mode. The range to assign BB_credits is between 1 and 255.
Step 4	switch(config-if)# <b>do show int fc1/1</b> fc1/1 is up ... 16 receive B2B credit remaining 3 transmit B2B credit remaining	Displays the receive and transmit BB_credit along with other pertinent interface information for this interface.  <b>Note</b> The BB_credit values are correct at the time the registers are read. They are useful to verify situations when the data traffic is slow.

[Send documentation comments to mdsfeedback-doc@cisco.com](mailto:mdsfeedback-doc@cisco.com)

## About Performance Buffers



### Note

Performance buffers are not supported on the Cisco MDS 9124 Fabric Switch, the Cisco Fabric Switch for HP c-Class BladeSystem, and the Cisco Fabric Switch for IBM BladeCenter.

Regardless of the configured receive BB\_credit value, additional buffers, called performance buffers, improve switch port performance. Instead of relying on the built-in switch algorithm, you can manually configure the performance buffer value for specific applications (for example, forwarding frames over FCIP interfaces).

For each physical Fibre Channel interface in any switch in the Cisco MDS 9000 Family, you can specify the amount of performance buffers allocated in addition to the configured receive BB\_credit value.

The default performance buffer value is 0. If you use the **default** option, the built-in algorithm is used. If you do not specify this command, the **default** option is automatically used.

## Configuring Performance Buffers

To configure performance buffers for a Fibre Channel interface, follow these steps:

	Command	Purpose
Step 1	switch# <b>config t</b>	Enters configuration mode.
Step 2	switch(config)# <b>interface fc1/1</b> switch(config-if)#	Selects a Fibre Channel interface and enters interface configuration submenu.
Step 3	switch(config-if)# <b>switchport fcrxbbcredit performance-buffers 45</b>	Assigns a performance buffer of 45 to the selected interface. The value ranges from 1 to 145.
	switch(config-if)# <b>switchport fcrxbbcredit performance-buffers default</b>	Reverts to the factory default of using the built-in algorithm.



### Note

Use the **show interface bcredit** command to display performance buffer values and other BB\_credit information.

## About Extended BB\_credits

You can use the extended BB\_credits flow control mechanism in addition to BB\_credits for long haul links.

This section includes the following topics:

- [Extended BB\\_credits on Generation 1 Switching Modules, page 13-35](#)
- [Extended BB\\_credits on Generation 2 Switching Modules, page 13-36](#)

[Send documentation comments to mdsfeedback-doc@cisco.com](mailto:mdsfeedback-doc@cisco.com)

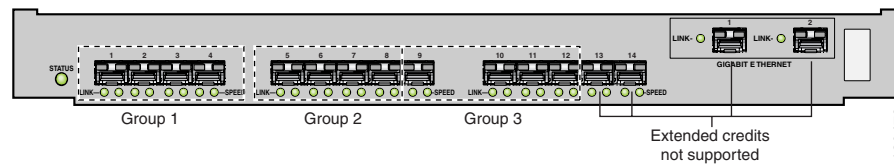
## Extended BB\_credits on Generation 1 Switching Modules

The BB\_credits feature allows you to configure up to 255 receive buffers on Generation 1 switching modules. To facilitate BB\_credits for long haul links, you can configure up to 3,500 receive BB\_credits on a Fibre Channel port on a Generation 1 switching module.

To use this feature on Generation 1 switching modules, you must meet the following requirements:

- Obtain the ENTERPRISE\_PKG license (see [Chapter 3, “Obtaining and Installing Licenses”](#)).
- Configure this feature in any port of the full-rate 4-port group in either the Cisco MDS 9216i Switch or in the MPS-14/2 module (see [Figure 13-5](#)).

**Figure 13-5 Port Group Support for the Extended BB\_Credits Feature**



The port groups that support extended credit configurations are as follows.

- Any one port in ports 1 to 4 (identified as Group 1 in [Figure 13-1](#)).
- Any one port in ports 5 to 8 (identified as Group 2 in [Figure 13-1](#)).
- Any one port in ports 9 to 12 (identified as Group 3 in [Figure 13-1](#)).



**Note** The last two Fibre Channel ports (port 13 and port 14) and the two Gigabit Ethernet ports do not support the extended BB\_credits feature (see [Figure 13-1](#)).

- Explicitly enable this feature in the required Cisco MDS switch.
- Disable the remaining three ports in the 4-port group if you need to assign more than 2,400 BB\_credits to the first port in the port group.
  - If you assign less than 2,400 extended BB\_credits to any one port in a port group, the remaining three ports in that port group can retain up to 255 BB\_credits based on the port mode.



**Note** The receive BB\_credit value for the remaining three ports depends on the port mode. The default value is 16 for the Fx mode and 255 for E or TE modes. The maximum value is 255 in all modes. This value can be changed as required without exceeding the maximum value of 255 BB\_credits.

- If you assign more than 2,400 (up to a maximum of 3,500) extended BB\_credits to the port in a port group, you must disable the other three ports.
- Be aware that changing the BB\_credit value results in the port being disabled and then reenabled.
- Disable (explicitly) this feature if you need to nondisruptively downgrade to Cisco SAN-OS Release 1.3 or earlier. When you disable this feature, the existing extended BB\_credit configuration is completely erased.

**Send documentation comments to [mdsfeedback-doc@cisco.com](mailto:mdsfeedback-doc@cisco.com)**

**Note**

The extended BB\_credit configuration takes precedence over the receive BB\_credit and performance buffer configurations.

## Extended BB\_credits on Generation 2 Switching Modules

To use this feature on Generation 2 switching modules, you must meet the following requirements:

- Obtain the Enterprise package (ENTERPRISE\_PKG) license (see [Chapter 3, “Obtaining and Installing Licenses”](#)).
- Configure this feature in any port on a Generation 2 switch module. See the [Extended BB\\_Credits, page 15-15](#) for more information on extended BB\_credits on Generation 2 switching modules.

**Note**

Extended BB\_credits are not supported on the Cisco MDS 9124 Fabric Switch.

## Configuring Extended BB\_credits

To configure extended BB\_credits for a MDS-14/2 interface, for a Generation 2 switching module interface (not including the Cisco MDS 9124 Fabric Switch), or for an interface in a Cisco MDS 9216i switch, follow these steps:

	Command	Purpose
<b>Step 1</b>	switch# <b>config t</b> switch(config)#	Enters configuration mode.
<b>Step 2</b>	switch(config)# <b>fcrxbbcredit extended enable</b>  switch(config)# <b>no fcrxbbcredit extended enable</b>	Enables the extended BB_credits feature.  Disables (default) the extended BB_credits feature.
<b>Step 3</b>	switch(config)# <b>interface fc1/1</b> switch(config-if)#	Selects a Fibre Channel interface and enters interface configuration submenu.
<b>Step 4</b>	switch(config-if)# <b>switchport fcrxbbcredit extended 1500</b>  switch(config-if)# <b>no switchport fcrxbbcredit extended 1500</b>	Applies the extended BB_credit value of 1,500 credits to the selected interface. The valid range is from 256 to 3,500 credits.  Clears the configured extended BB_credit configuration for this port.
<b>Step 5</b>	switch# <b>do show interface fc3/2</b> fc3/2 is trunking Hardware is Fibre Channel, SFP is short wave laser w/o OFC (SN) Port WWN is 20:82:00:05:30:00:2a:1e Peer port WWN is 20:42:00:0b:46:79:f1:80 Admin port mode is auto, trunk mode is on Port mode is TE Port vsan is 1 Speed is 2 Gbps Transmit B2B Credit is 255 Receive B2B Credit is 1500 Receive data field Size is 2112 ...	Displays the receive and transmit BB_credit values along with other pertinent interface information for this interface if the interface is in the up state.  <b>Note</b> The receive BB_credit value reflects the extended BB_credit configuration, if applicable.

*Send documentation comments to [mdsfeedback-doc@cisco.com](mailto:mdsfeedback-doc@cisco.com)*

## Displaying BB\_Credit Information

To display the BB\_credit information, use the **show interface bbcredit** command (see [Example 13-21](#) and [Example 13-22](#)).

### *Example 13-21 Displays BB\_credit Information*

```
switch# show interface bbcredit
fc2/1 is down (SFP not present)
...
fc2/17 is trunking
    Transmit B2B Credit is 255
    Receive B2B Credit is 12
    Receive B2B Credit performance buffers is 375
        12 receive B2B credit remaining
        255 transmit B2B credit remaining
fc2/18 is down (SFP not present)
fc2/19 is down (SFP not present)
fc2/20 is down (SFP not present)
fc2/21 is down (Link failure or not-connected)
...
fc2/31 is up
    Transmit B2B Credit is 0
    Receive B2B Credit is 12
    Receive B2B Credit performance buffers is 48
        12 receive B2B credit remaining
        0 transmit B2B credit remaining
fc2/32 is down (Link failure or not-connected)
```

### *Example 13-22 Displays BB\_credit Information for a Specified Fibre Channel Interface*

```
switch# show interface fc2/31 bbcredit
fc2/31 is up
    Transmit B2B Credit is 0
    Receive B2B Credit is 12
    Receive B2B Credit performance buffers is 48
        12 receive B2B credit remaining
        0 transmit B2B credit remaining
```

## Management Interfaces

You can remotely configure the switch through the management interface (mgmt0). To configure a connection on the mgmt0 interface, you must configure either the IP version 4 (IPv4) parameters (IP address, subnet mask, and default gateway) or the IP version 6 (IPv6) parameters so that the switch is reachable.

This section describes the management interfaces and includes the following topics:

- [About Management Interfaces, page 13-38](#)
- [Configuring Management Interfaces, page 13-38](#)
- [Displaying Management Interface Configuration, page 13-39](#)

[Send documentation comments to mdsfeedback-doc@cisco.com](mailto:mdsfeedback-doc@cisco.com)

## About Management Interfaces

Before you begin to configure the management interface manually, obtain the switch's IPv4 address and subnet mask, or the IPv6 address.

The management port (mgmt0) is autosensing and operates in full duplex mode at a speed of 10/100/1000 Mbps. Autosensing supports both the speed and the duplex mode. On a Supervisor-1 module, the default speed is 100 Mbps and the default duplex mode is auto. On a Supervisor-2 module, the default speed is auto and the default duplex mode is auto.



**Note** You need to explicitly configure a default gateway to connect to the switch and send IP packets or add a route for each subnet.

## Configuring Management Interfaces

To configure the mgmt0 Ethernet interface to connect over IPv4, follow these steps:

	Command	Purpose
Step 1	switch# <b>config terminal</b> switch(config)#	Enters configuration mode.
Step 2	switch(config)# <b>interface mgmt0</b> switch(config-if)#	Selects the management Ethernet interface on the switch and enters interface configuration submode.
Step 3	switch(config-if)# <b>ip address 10.16.1.2 255.255.255.0</b>	Configures the IPv4 address and IPv4 subnet mask.
Step 4	switch(config-if)# <b>no shutdown</b>	Enables the interface.
Step 5	switch(config-if)# <b>exit</b> switch(config)#	Returns to configuration mode.
Step 6	switch(config)# <b>ip default-gateway 1.1.1.4</b>	Configures the default gateway IPv4 address.
Step 7	switch(config)# <b>exit</b> switch#	Returns to EXEC mode.
Step 8	switch# <b>copy running-config startup-config</b>	(Optional) Saves your configuration changes to the file system.  <b>Note</b> If you wish to save your configuration, you can issue this command at any time.

To configure the mgmt0 Ethernet interface to connect over IPv6, follow these steps:

	Command	Purpose
Step 1	switch# <b>config terminal</b> switch(config)#	Enters configuration mode.
Step 2	switch(config)# <b>interface mgmt0</b> switch(config-if)#	Selects the management Ethernet interface on the switch and enters interface configuration submode.
Step 3	switch(config-if)# <b>ipv6 enable</b>	Enables IPv6 and assigns a link-local address on the interface.
Step 4	switch(config-if)# <b>ipv6 address ipv6 address 2001:0db8:800:200c::417a/64</b>	Specifies an IPv6 unicast address and prefix length on the interface.
Step 5	switch(config-if)# <b>no shutdown</b>	Enables the interface.

**Send documentation comments to [mdsfeedback-doc@cisco.com](mailto:mdsfeedback-doc@cisco.com)**

	Command	Purpose
Step 6	switch(config-if)# <b>end</b> switch#	Returns to EXEC mode.
Step 7	switch# <b>copy running-config startup-config</b>	(Optional) Saves your configuration changes to the file system.  <b>Note</b> If you wish to save your configuration, you can issue this command at any time.

## Displaying Management Interface Configuration

To display the management interface configuration, use the **show interface mgmt 0** command.

```
switch# show interface mgmt 0
mgmt0 is up
  Hardware is FastEthernet
  Address is 000c.30d9.fdbc
  Internet address is 10.16.1.2/24
  MTU 1500 bytes, BW 100 Mbps full Duplex
  26388 packets input, 6101647 bytes
    0 multicast frames, 0 compressed
    0 input errors, 0 frame, 0 overrun 0 fifo
  10247 packets output, 2389196 bytes, 0 underruns
    0 output errors, 0 collisions, 0 fifo
    0 carrier errors
```

## VSAN Interfaces

VSANs apply to Fibre Channel fabrics and enable you to configure multiple isolated SAN topologies within the same physical infrastructure. You can create an IP interface on top of a VSAN and then use this interface to send frames to this VSAN. To use this feature, you must configure the IP address for this VSAN. VSAN interfaces cannot be created for nonexisting VSANs.

This section describes VSAN interfaces and includes the following topics:

- [About VSAN Interfaces, page 13-39](#)
- [Creating VSAN Interfaces, page 13-40](#)
- [Displaying VSAN Interface Information, page 13-40](#)

## About VSAN Interfaces

Follow these guidelines when creating or deleting VSAN interfaces:

- Create a VSAN before creating the interface for that VSAN. If a VSAN does not exist, the interface cannot be created.
- Create the interface VSAN—it is not created automatically.
- If you delete the VSAN, the attached interface is automatically deleted.
- Configure each interface only in one VSAN.

**Send documentation comments to [mdsfeedback-doc@cisco.com](mailto:mdsfeedback-doc@cisco.com)**



**Tip**

After configuring the VSAN interface, you can configure an IP address or Virtual Router Redundancy Protocol (VRRP) feature (see [Chapter 44, “Configuring IP Services”](#)).

## Creating VSAN Interfaces

To create a VSAN interface, follow these steps:

	Command	Purpose
Step 1	switch# <b>config t</b>	Enters configuration mode.
Step 2	switch(config)# <b>interface vsan 2</b> switch(config-if)#	Configures a VSAN with the ID 2.
Step 3	switch(config-if)# <b>no shutdown</b>	Enables the VSAN interface.

## Displaying VSAN Interface Information

To display VSAN interface information, use the **show interface vsan** command.

```
switch# show interface vsan 2
vsan2 is up, line protocol is up
  WWPN is 10:00:00:05:30:00:59:1f, FCID is 0xb90100
  Internet address is 10.1.1.1/24
  MTU 1500 bytes, BW 1000000 Kbit
  0 packets input, 0 bytes, 0 errors, 0 multicast
  0 packets output, 0 bytes, 0 errors, 0 dropped
```

## Default Settings

[Table 13-7](#) lists the default settings for interface parameters.

**Table 13-7** Default Interface Parameters

Parameters	Default
Interface mode	Auto
Interface speed	Auto
Administrative state	Shutdown (unless changed during initial setup)
Trunk mode	On (unless changed during initial setup)
Trunk-allowed VSANs	1 to 4093
Interface VSAN	Default VSAN (1)
Beacon mode	Off (disabled)
EISL encapsulation	Disabled
Data field size	2112 bytes