



Configuring IP Services

Cisco MDS 9000 Family switches can route IP traffic between Ethernet and Fibre Channel interfaces. The IP static routing feature is used to route traffic between VSANs. To do so, each VSAN must be in a different IP subnetwork. Each Cisco MDS 9000 Family switch provides the following services for network management systems (NMS):

- IP forwarding on the out-of-band Ethernet interface (mgmt0) on the front panel of the supervisor modules.
- IP forwarding or in-band Fibre Channel interface using the IP over Fibre Channel (IPFC) function—IPFC specifies how IP frames can be transported over Fibre Channel using encapsulation techniques. IP frames are encapsulated into Fibre Channel frames so NMS information can cross the Fibre Channel network without using an overlay Ethernet network.
- IP routing (default routing and static routing) —If your configuration does not need an external router, you can configure a default route using static routing.

Switches are compliant with RFC 2338 standards for Virtual Router Redundancy Protocol (VRRP) features. VRRP is a restartable application that provides a redundant, alternate path to the gateway switch.

This chapter includes the following sections:

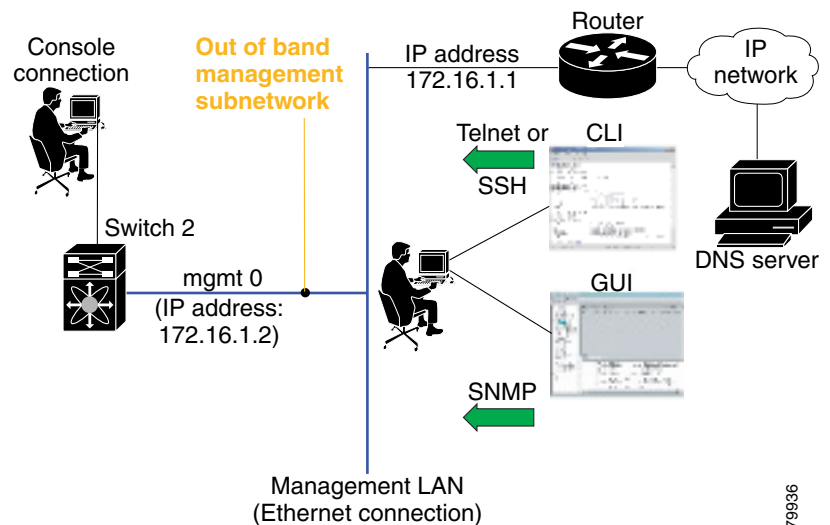
- [Traffic Management Services, page 16-2](#)
- [Configuring the Ethernet Management Port, page 16-2](#)
- [Configuring the Default Gateway, page 16-3](#)
- [Configuring the Default Network, page 16-4](#)
- [Configuring IPFC, page 16-5](#)
- [Configuring IP Static Routes, page 16-6](#)
- [Displaying IP Interface Information, page 16-7](#)
- [Configuring Overlay VSANs, page 16-8](#)
- [Configuring Multiple VSANs, page 16-10](#)
- [Configuring VRRP, page 16-12](#)
- [Configuring DNS Server, page 16-19](#)
- [Default Settings, page 16-20](#)

Send documentation comment to mdsfeedback-doc@cisco.com

Traffic Management Services

In-band options are compliant with and use the RFC 2625 standards. An NMS host running IP protocol over a FC interface can access the switch using the IPFC functionality. If the NMS does not have a Fibre Channel HBA, in-band management can still be performed using one of the switches as an access point to the fabric (see Figure 16-1).

Figure 16-1 Management Access to Switches



Configuring the Ethernet Management Port

The management port on the switch allows multiple simultaneous Telnet or SNMP network management sessions. You can also configure the supervisor module's Ethernet interface and VSAN interfaces as management ports. This section focuses on the Ethernet management port (mgmt0). You can remotely configure the switch through the management port. To configure a connection remotely, you must configure the IP parameters (IP address and subnet mask) from the CLI so that the switch is reachable.



Note

Before you begin to configure the management interface manually, obtain the switch's IP address and IP subnet mask. Also make sure the console cable is connected to the console port.

Send documentation comment to mdsfeedback-doc@cisco.com

To configure the mgmt0 Ethernet interface, follow these steps:

	Command	Purpose
Step 1	switch# config terminal switch(config)#	Enters configuration mode.
Step 2	switch(config)# interface mgmt0 switch(config-if)#	Enters the interface configuration mode on the management Ethernet interface (mgmt0).
Step 3	switch(config-if)# ip address 1.1.1.1 255.255.255.0	Enters the IP address (1.1.1.1) and IP subnet mask (255.255.255.0) for the management interface.
Step 4	switch(config-if)# no shutdown	Enables the interface.

Configuring the Default Gateway

Use the **IP default-gateway** command to configure the IP address for a switch's default gateway. This IP address should be configured along with the IP static routing commands (IP default-network, destination prefix, and destination mask, and next hop address)

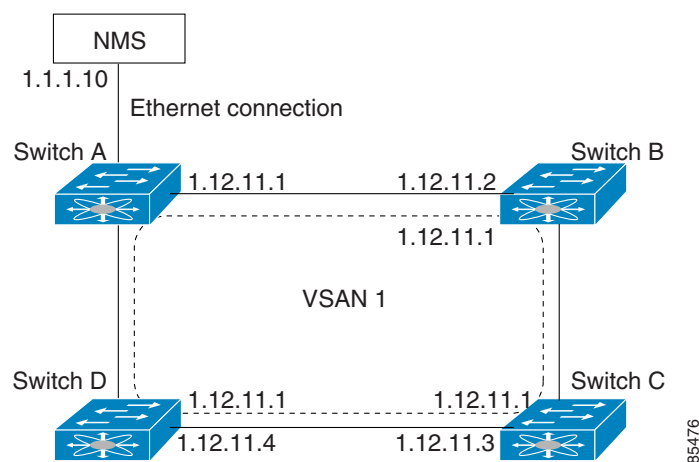


Tip

If you configure the static route IP forwarding and the default-network details, these IP addresses will be used regardless of the default-gateway being enabled or disabled. If these IP address are configured and not available, the switch will fall back to using the default gateway IP address, if you have configured it. Be sure to configure IP addresses for all entries in the switch (see the “[Initial Setup Routine](#)” section on page 3-2).

When the Ethernet interface is configured, the switch should point to the gateway router for the IP network. The host accesses the gateway using a gateway switch. This gateway switch is configured as the default gateway. The other switches in the fabric that are connected to the same VSAN as the gateway switch can also be connected through the gateway switch. Every interface connected to this VSAN should be configured with the VSAN IP address of the gateway switch (see [Figure 16-2](#)).

Figure 16-2 Overlay VSAN Functionality



In [Figure 16-2](#), switch A has the IP address 1.12.11.1, switch B has the IP address 1.12.11.2, switch C has the IP address 1.12.11.3, and switch D has the IP address 1.12.11.4. Switch A is the gateway switch with the Ethernet connection. The NMS uses the IP address 1.1.10 to connect to the gateway switch.

Send documentation comment to mdsfeedback-doc@cisco.com

Frames forwarded to any switch in the overlaid VSAN 1 are routed through the gateway switch. Configuring the gateway switch's IP address, 1.12.11.1, in the other switches enable the gateway switch to forward the frame to the intended destination. Similarly, if a non-gateway switch in the VSAN forwards a frame to the Ethernet world, the frame is routed through the gateway switch.

When forwarding is disabled (default), IP frames are not sent from one interface to another. In these cases, the software performs local IP routing between two switches using the in-band option for Fibre Channel traffic and the mgmt0 option for Ethernet traffic.

When a VSAN is created, a VSAN interface is not created automatically. You need to specifically create the interface (see the “[Configuring VSAN Interfaces](#)” section on page 9-14).

To configure default gateways, follow these steps:

	Command	Purpose
Step 1	switch# config t	Enters configuration mode.
Step 2	switch(config)# ip default-gateway 1.12.11.1 switch(config)#	Configures the IP address for the default gateway (1.12.11.1).

Use the **show ip route** command to verify that the IP address for the default gateway is configured.

Configuring the Default Network

Unlike the **ip default-gateway** command, use the **ip default-network** command when IP routing is enabled on the switch. If you assign the IP default network address, the switch considers routes to that network as the last resort. If the IP default network address is not available, the switch uses the IP default gateway address. For every network configured with the IP default network address, the switch flags that route as a candidate default route, if the route is available.



Tip

If you configure the static route IP forwarding and the default network details, these IP addresses will be used regardless of the default gateway being enabled or disabled. If these IP address are configured and not available, the switch will fall back to using the default gateway IP address, if you have configured it. Be sure to configure IP addresses for all entries in the switch (see the “[Initial Setup Routine](#)” section on page 3-2).

To configure default networks, follow these steps:

	Command	Purpose
Step 1	switch# config t	Enters configuration mode.
Step 2	switch(config)# ip default-network 190.10.1.0 switch(config)# switch(config)# ip route 10.0.0.0 255.0.0.0 131.108.3.4 switch(config)# ip default-network 10.0.0.0 switch(config)#	Configures the IP address for the default network (190.10.1.0). Defines a static route to network 10.0.0.0 as the static default route.

Use the **show ip route** command to verify if the IP address for the default gateway is configured.

Send documentation comment to mdsfeedback-doc@cisco.com

Configuring IPFC

Once the VSAN interface is created, you can specify the IP address for that VSAN using the **ip address** command. If you wish to override the default IP Address, use the **ip address** command.

Configuring an IP Address in a VSAN

To configure a VSAN interface and an IP address for that interface, follow these steps:

	Command	Purpose
Step 1	switch# config t	Enters configuration mode.
Step 2	switch(config)# interface vsan 1 switch(config-if)#	Configures the interface for the specified VSAN (1).
Step 3	switch(config-if)# ip address 10.0.0.12 255.255.255.0 switch(config-if)#	Configures the IP address and netmask for the selected interface.

Disabling IP Routing

By default, the IP routing feature is disabled in all switches. To enable the IP routing feature, follow these steps:

	Command	Purpose
Step 1	switch# config t	Enters configuration mode.
Step 2	switch(config)# ip routing switch(config)#	Enables IP routing (disabled by default).
Step 3	switch(config)# no ip routing switch(config)#	Disables IP routing and reverts to the factory settings.

[Send documentation comment to mdsfeedback-doc@cisco.com](mailto:mdsfeedback-doc@cisco.com)

Configuring IP Static Routes

Static routing is a mechanism to configure IP routes on the switch. You can configure more than one static route.

To configure a static route, follow these steps:

	Command	Purpose
Step 1	switch# confi g t	Enters configuration mode.
Step 2	switch(config)# IP route <network IP address> <netmask> <next hop IP address> distance <number> interface <vsan number> For example: switch(config)# IP route 10.0.0.0 255.0.0.0 20.20.20.10 distance 10 interface vsan 1 switch(config)#	Configures the static route for the specified IP address, subnet mask, next hop, and distance, and VSAN or management interface.

If your configuration does not need an external router, you can use static routing.

If a VSAN has multiple exit points, configure static routes to direct traffic to the appropriate gateway switch. IP routing is disabled by default on any gateway switch between the out-of-band management interface and the default VSAN, or between directly connected VSANs.

Viewing and Clearing ARPs

Address Resolution Protocol (ARP) entries can be viewed (**show arp**), deleted (**no arp**), or cleared (**clear arp-cache**) in Cisco MDS 9000 Family switches. The ARP feature is enabled on all switches.

- Use the **show arp** command to display the ARP table.

```
switch# show arp
Protocol Address          Age (min)   Hardware Addr  Type   Interface
Internet 171.1.1.1              0           0006.5bec.699c  ARPA  mgmt0
Internet 172.2.0.1              4           0000.0c07.ac01  ARPA  mgmt0
```

- Use the **no arp** command in configuration mode to remove an ARP entry from the ARP table.

```
switch(config)# no arp 172.2.0.1
switch(config)#
```

- Use the **clear arp** command to delete all entries from the ARP table. The ARP table is empty by default.

```
switch# clear arp-cache
switch#
```

[Send documentation comment to mdsfeedback-doc@cisco.com](mailto:mdsfeedback-doc@cisco.com)

Displaying IP Interface Information

Use the following **show** commands to view configured IP interface information (see Examples 16-1 to 16-4).

Example 16-1 Displays the VSAN Interface

```
switch# show interface vsan1
vsan1 is up, line protocol is up
  WWPN is 10:00:00:05:30:00:59:1f, FCID is 0x9c0100
  Internet address is 10.1.1.1/24
  MTU 1500 bytes, BW 1000000 Kbit
  0 packets input, 0 bytes, 0 errors, 0 multicast
  0 packets output, 0 bytes, 0 errors, 0 dropped
```



Note You can see the output for this command only if you have previously configured a virtual network interface (see the “Configuring an IP Address in a VSAN” section on page 16-5).

Example 16-2 Displays the Connected and Static Route Details

```
switch# show ip route

Codes: C - connected, S - static

Default gateway is 172.22.95.1

C 172.22.95.0/24 is directly connected, mgmt0
C 10.1.1.0/24 is directly connected, vsan1
```

Example 16-3 Displays Configured Routes

```
switch# show ip route configured
```

Destination	Gateway	Mask	Metric	Interface
default	172.22.95.1	0.0.0.0	0	mgmt0
10.1.1.0	0.0.0.0	255.255.255.0	0	vsan1
172.22.95.0	0.0.0.0	255.255.255.0	0	mgmt0

Example 16-4 Displays the IP Routing Status

```
switch# show ip routing
ip routing is disabled
```

Send documentation comment to mdsfeedback-doc@cisco.com

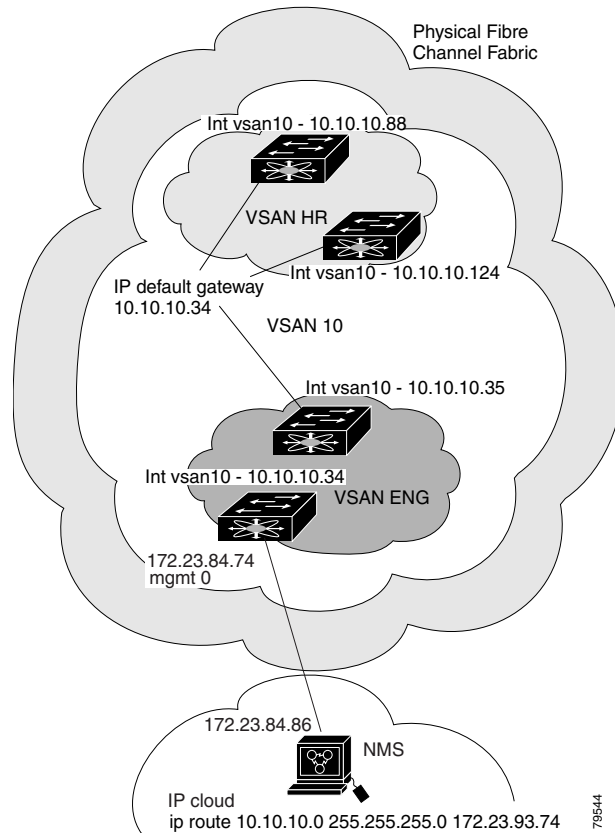
Configuring Overlay VSANs

VSANs enable deployment of larger SANs by overlaying multiple logical SANs, each running its own instance of fabric services, on a single large physical network. This partitioning of fabric services reduces network instability by containing fabric reconfiguration and error conditions within an individual VSAN. VSANs also provide the same isolation between individual VSANs as physically separated SANs. Traffic cannot cross VSAN boundaries and devices may not reside in more than one VSAN. Because each VSAN runs separate instances of fabric services, each VSAN has its own zone server and can be zoned in exactly the same way as SANs without VSAN capability.

To configure an overlay VSAN, follow these steps:

-
- Step 1** Add the VSAN to the VSAN database on all switch in the fabric.
 - Step 2** Create a VSAN interface for the VSAN on all switch in the fabric. Any VSAN interface belonging to the VSAN has an IP address in the same subnet. Create a route to the IPFC cloud on the IP side
 - Step 3** Configure a default route on every switch in the Fibre Channel fabric pointing to the switch that provides NMS access.
 - Step 4** Configure default gateway (route) and the IP address on switches that point to the NMS (see [Figure 16-3](#)).

Figure 16-3 Overlay VSAN Configuration Example



Send documentation comment to mdsfeedback-doc@cisco.com

The following procedure configures an overlay VSAN in one switch. This procedure must be repeated for each switch in the fabric.

To configure an overlay VSAN in one switch (using the example in [Figure 16-3](#)), follow these steps:

	Command	Purpose
Step 1	switch# config t	Enters configuration mode.
Step 2	switch(config)# vsan database switch-config-vsan-db#	Configures the VSAN database.
Step 3	switch--config-vsan-db# vsan 10 name MGMT_VSAN switch--config-vsan-db#	Defines the VSAN in the VSAN database on all of the switches in the Fibre Channel fabric.
Step 4	switch--config-vsan-db# exit switch(config)#	Exits the VSAN database mode.
Step 5	switch(config)# interface vsan10 switch(config-if)#	Creates a VSAN interface (VSAN 10).
Step 6	switch(config-if)# ip address 10.10.10.x netmask 255.255.255.0 switch(config-if)#	Assigns an IP address and netmask on all switches in the fabric.
Step 7	switch(config-if)# no shut	Enables the configured interface.
Step 8	switch--config-if# end switch#	Exits to EXEC mode.
Step 9	switch# exit	Exits the switch and returns to the NMS. In this example the NMS is assumed to be on the same subnet of the Ethernet management interface of the edge that provides access to the Fibre Channel fabric.

To configure the NMS station displayed in [Figure 16-3](#), follow this step:

	Command	Purpose
Step 1	switch# route ADD 10.10.10.0 MASK 255.255.255.0 172.22.93.74	Defines a static route on the NMS pointing to the management interface of the edge switch that provides access to the Fibre Channel fabric.



Note

To configure the management interface displayed in [Figure 16-3](#), set the default gateway to an IP address on the Ethernet network.

Send documentation comment to mdsfeedback-doc@cisco.com

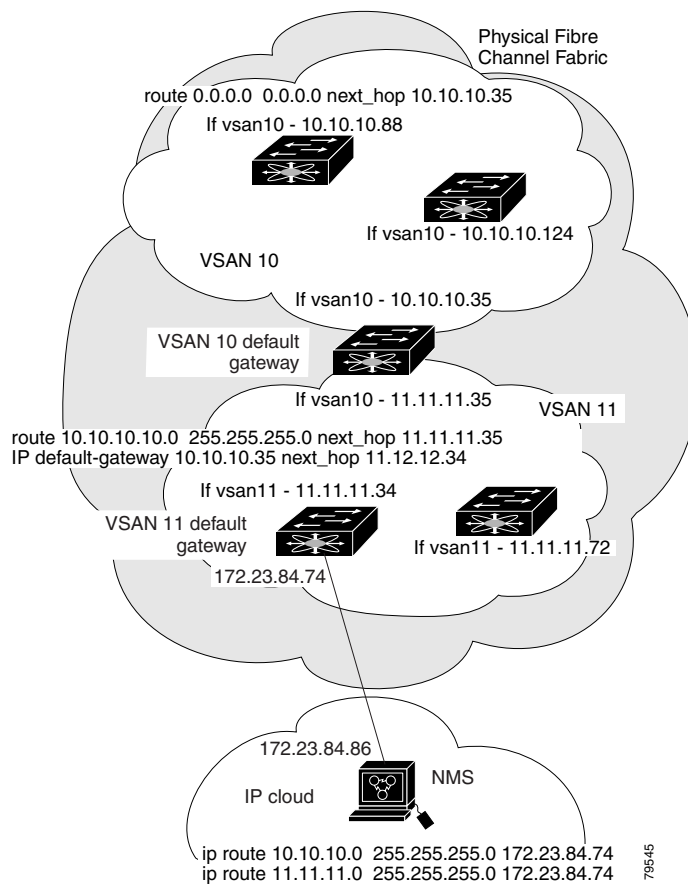
Configuring Multiple VSANs

More than one VSAN can be used to segment the management network in multiple subnets. An active interface must be present on the switch for the VSAN interface to be enabled.

To configure an overlay VSAN, follow these steps:

-
- Step 1** Add the VSAN to the VSAN database on any switch in the fabric.
 - Step 2** Create a VSAN interface for the appropriate VSAN on any switch in the fabric.
 - Step 3** Assign an IP address on every VSAN interface on the same subnet as the corresponding VSAN.
 - Step 4** Define the multiple static route on the Fibre Channel switches and the IP cloud (see [Figure 16-4](#)).

Figure 16-4 Multiple VSANs Configuration Example



Send documentation comment to mdsfeedback-doc@cisco.com

To configure an overlay VSAN (using the example in Figure 16-4), follow these steps:

	Command	Purpose
Step 1	switch# config t	Enters configuration mode.
Step 2	switch(config)# vsan database switch-config-vsan-db#	Configures the VSAN database.
Step 3	switch-config-vsan-db# vsan 10 name MGMT_VSAN_10 switch-config-vsan-db#	Defines the VSAN in the VSAN database on all of the switches in VSAN 10.
Step 4	switch-config-vsan-db# exit switch(config)#	Exits the database 10 mode.
Step 5	switch-config-vsan-db# vsan 11 name MGMT_VSAN_11 switch-config-vsan-db#	Defines the VSAN in the VSAN database on all of the switches in VSAN 11.
Step 6	switch-config-vsan-db# exit switch(config)#	Exits the VSAN database 11 mode.
Step 7	switch(config)# interface vsan10 switch(config-if)#	Enters the VSAN 10 interface configuration mode for VSAN 10.
Step 8	switch(config-if)# ip address 10.10.10.x netmask 255.255.255.0 switch(config-if)#	Assigns an IP address and netmask on all switches in VSAN 10.
Step 9	switch(config-if)# no shut	Enables the configured interface for VSAN 10.
Step 10	switch--config-if# exit switch(config)#	Exits the VSAN 10 interface mode.
Step 11	switch(config)# interface vsan11 switch(config-if)#	Enters the VSAN 11 interface configuration mode.
Step 12	switch(config-if)# ip address 11.11.11.x netmask 255.255.255.0 switch(config-if)#	Assigns an IP address and netmask on all of the switches in VSAN 11.
Step 13	switch(config-if)# no shut	Enables the configured interface for VSAN 11.
Step 14	switch--config-if# end switch#	Exits to EXEC mode.
Step 15	switch# exit	Exits the switch and returns to the NMS. In this example the NMS is assumed to be on the same subnet of the Ethernet management interface of the edge that provides access to the Fibre Channel fabric.
Step 16	NMS# route ADD 10.10.10.0 MASK 255.255.255.0 172.22.93.74	Defines a static route on the NMS pointing to the management interface of the edge switch that provides access to the IP cloud.
Step 17	NMS# route ADD 11.11.11.0 MASK 255.255.255.0 172.22.93.74	Defines a static route for VSAN 11 on the NMS pointing to the management interface of the edge switch that provides access to the Fibre Channel fabric.
Step 18	switch# route 10.10.10.0 255.255.255.0 next_hop 11.11.11.35	Defines the route to reach subnet 10 from subnet 11.

Send documentation comment to mdsfeedback-doc@cisco.com

Configuring VRRP

Cisco MDS 9000 Family switches are compliant with RFC 2338 standards for Virtual Router Redundancy Protocol (VRRP) features. This section provides details on the VRRP feature.

VRRP Features

VRRP provides a redundant alternative path to the gateway switch, which has connectivity to the NMS. VRRP has the following characteristics and advantages:

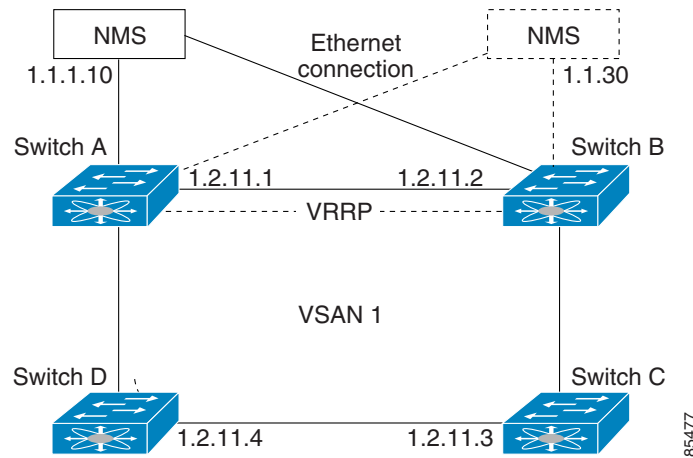
- VRRP is a restartable application.
- When a VRRP master fails, the VRRP backup takes over within three times the advertisement time.
- VRRP over Ethernet, VRRP over VSAN, and Fibre Channel functions are implemented as defined in RFC 2338.
- A virtual router is mapped to each VSAN and Ethernet interface with its unique virtual router IP, virtual router MAC, and VR ID.
- VR IDs can be reused in multiple VSANs with a different virtual router IP mapping.
- Up to 255 virtual router groups can be assigned in each VSAN.
- VRRP security provides three options, including no authentication, simple text authentication, and MD5 authentication.

[Send documentation comment to mdsfeedback-doc@cisco.com](mailto:mdsfeedback-doc@cisco.com)

VRRP Functionality

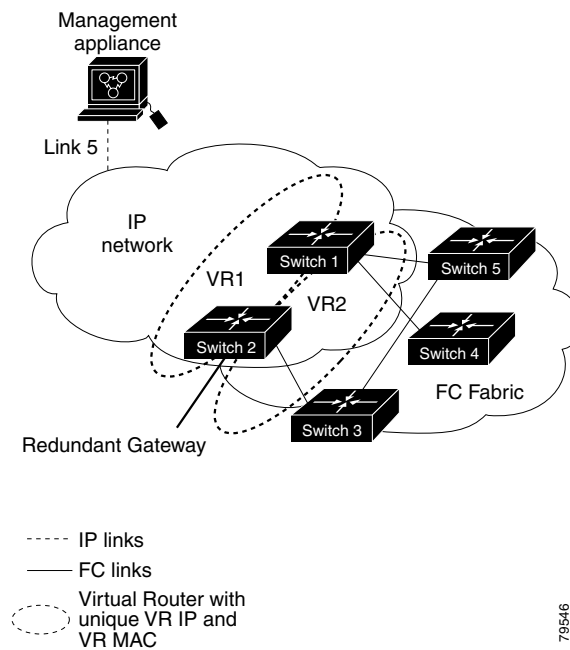
In [Figure 16-5](#), switch A is the VRRP master and switch B is the VRRP backup switch. Both switches have IP address to VRRP mapping configured. The other switches set switch A as the default gateway. If switch A fails, the other switches don't have to change the routing configurations as switch B automatically becomes the master and takes over the function of a gateway.

Figure 16-5 VRRP Functionality



In [Figure 16-6](#), the fabric example has two virtual router groups (VR1 and VR2) because a virtual router cannot span across different types of interfaces. In both switch 1 and switch 2, the Ethernet interface is in VR1 and the FC interface is in VR2. Each virtual router is uniquely identified by the VSAN interface and the VR ID.

Figure 16-6 Redundant Gateway



Send documentation comment to mdsfeedback-doc@cisco.com

Creating or Removing a Virtual Router

All VRRP configurations should be replicated across switches in a fabric that runs VRRP.

To create or remove a VR, follow these steps:

	Command	Purpose
Step 1	switch# config t switch(config)#	Enters configuration mode.
Step 2	switch(config)# interface vsan 1 switch(config-if)#	Configures a VSAN interface (VSAN 1).
Step 3	switch(config-if)# vrrp 250 switch(config-if-vrrp)	Creates a VR ID 250.
	switch(config-if-vrrp)# no vrrp 250 switch(config-if)	Removes a VR ID 250.

Enabling a Virtual Router

By default, a virtual router is always disabled (**shutdown**). VRRP can be configured only if this state is disabled. Be sure to configure at least one IP address before attempting to enable a VR.

To enable or disable a virtual router, follow these steps:

	Command	Purpose
Step 1	switch(config-if-vrrp)# no shutdown switch(config-if-vrrp)#	Enables VRRP configuration.
	switch(config-if-vrrp)# shutdown switch(config-if-vrrp)#	Disables VRRP configuration.

Adding an IP Address for a Virtual Router

One primary IP address and multiple secondary addresses can be configured for a switch. If the configured IP address is the same as the interface IP address, this switch automatically owns the IP address.

To configure an IP address for a virtual router, follow these steps:

	Command	Purpose
Step 1	switch# config t	Enters configuration mode.
Step 2	switch(config)# interface vsan 1 switch(config-if)#	Configures a VSAN interface (VSAN 1).
Step 3	switch(config-if)# interface ipaddress 10.0.0.12 address switch(config-if)#	Configures an IP address. The IP address must be configured before the VRRP is added.
Step 4	switch(config-if)# vrrp 250 switch(config-if-vrrp)#	Creates VR ID 250.

Send documentation comment to mdsfeedback-doc@cisco.com

	Command	Purpose
Step 5	switch(config-if-vrrp)# address 10.0.0.10 switch(config-if-vrrp)#	Configures the IP address (10.0.0.10) for the selected VR. Note This IP address should be in the same subnet as the IP address of the interface.
	switch(config-if-vrrp)# no address 10.0.0.10 switch(config-if-vrrp)#	Removes the IP address (10.0.0.10) for the selected VR.

Setting Priority for the Virtual Router

The valid range to assign a virtual router priority is 1 to 254 with 1 being the lowest priority and 254 being the highest priority. The default value is 100 for switches with secondary IP addresses and 255 for a switch with the primary IP address.

To set the priority for a virtual router, follow these steps:

	Command	Purpose
Step 1	switch# config t	Enters configuration mode.
Step 2	switch(config)# interface vsan 1 switch(config-if)#	Configures a VSAN interface (VSAN 1).
Step 3	switch(config-if)# vrrp 250 switch(config-if-vrrp)#	Creates a virtual router.
Step 4	switch(config-if-vrrp)# priority 2 switch(config-if-vrrp)#	Configures the priority for the selected VRRP. Note Priority 255 cannot be preempted.

Setting the Time Interval for the Advertisement Packet

The valid time range for an advertisement packet is between 1 and 255 seconds with the default being 1 (one) second. If the switch has the primary IP address, this time must be specified.

To set the priority for a virtual router, follow these steps:

	Command	Purpose
Step 1	switch# config t	Enters configuration mode.
Step 2	switch(config)# interface vsan 1 switch(config-if)#	Configures a VSAN interface (VSAN 1).
Step 3	switch(config-if)# vrrp 250 switch(config-if-vrrp)#	Creates a virtual router.
Step 4	switch(config-if-vrrp)# advertisement-interval 15 switch(config-if-vrrp)#	Sets the interval time in seconds between sending advertisement frames.

Send documentation comment to mdsfeedback-doc@cisco.com

Preempting the Master Virtual Router

By default, the preempt option is enabled. An owner with priority 255 cannot be preempted. If two priorities match, the owner with the highest priority preempts the master virtual router.

To enable or disable preempting, follow these steps:

	Command	Purpose
Step 1	switch# config t	Enters configuration mode.
Step 2	switch(config)# interface vsan 1 switch(config-if)#	Configures a VSAN interface (VSAN 1).
Step 3	switch(config-if)# vrrp 250 switch(config-if-vrrp)#	Creates a virtual router.
Step 4	switch(config-if-vrrp)# preempt switch(config-if-vrrp)#	Enables the higher priority backup virtual router to preempt the lower priority master virtual router. Note This preemption does not apply to the primary IP address.
	switch(config-if-vrrp)# no preempt switch(config-if-vrrp)#	Disables the preempt option and allows the master to keep its priority level.

Configuring Authentication for the Virtual Router

VRRP security provides three options, including simple text authentication, MD5 authentication, and no authentication.

- Simple text authentication uses a unique, 1 to 8 character password that is used by all switches participating in the same virtual router. This password should be different from other security passwords.
- MD5 authentication uses a unique, 16 character key that is shared by all switches participating in the same virtual router. This secret key is shared by all switches in the same virtual router.
- No authentication is the default option.

You can configure the key using the authentication option in the VRRP submode and distribute it using the configuration file. The security parameter index (SPI) settings assigned in this option should be unique for each VSAN.



Note All VRRP configurations must be duplicated

To set an authentication option for a virtual router, follow these steps:

	Command	Purpose
Step 1	switch# config t	Enters configuration mode.
Step 2	switch(config)# interface vsan 1 switch(config-if)#	Configures a VSAN interface (VSAN 1).
Step 3	switch(config-if)# vrrp 250 switch(config-if-vrrp)#	Creates a virtual router.

Send documentation comment to mdsfeedback-doc@cisco.com

	Command	Purpose
Step 4	switch(config-if-vrrp)# authentication text password switch(config-if-vrrp)#	Assigns the simple text authentication option and specifies the password for this option.
	switch(config-if-vrrp)# authentication md5 password2003 spi 0x2003 switch(config-if-vrrp)#	Assigns MD5 authentication option and specifies the key and the unique SPI value for this option. The SPI and the valid range is 0x100 to 0xFFFFFFFF.
	switch(config-if-vrrp)# no authentication switch(config-if-vrrp)#	Assigns the no authentication option, which is the default.

Setting the Priority Based on Interface State

The tracking feature is disabled by default. When you specify the tracking option, the priority of the virtual router is changed based on the state of another interface in the switch. When the tracked interface is down, the priority of the virtual router is changed to a lower priority value. When the tracked interface is up, the priority of the virtual router is restored to its original value. You can track one of two interfaces on a switch in the Cisco MDS 9000 Family: a specified VSAN interface or a management interface.

To track the interface priority for a virtual router, follow these steps:

	Command	Purpose
Step 1	switch# config t	Enters configuration mode.
Step 2	switch(config)# interface vsan 1 switch(config-if)#	Configures a VSAN interface (VSAN 1).
Step 3	switch(config-if)# vrrp 250 switch(config-if-vrrp)#	Creates a virtual router.
Step 4	switch(config-if-vrrp)# track interface vsan 1 priority 2 switch(config-if-vrrp)#	Specifies the priority of the virtual router to be modified based on the state of another interface in the switch.
	switch(config-if-vrrp)# no track switch(config-if-vrrp)#	Disables the tracking feature.

Displaying VRRP Information

Use the **show vrrp vr** command to display configured VRRP information (see Examples 16-5 to 16-8).

Example 16-5 Displays VRRP Configured Information

```
switch# show vrrp vr 7 interface vsan 2 configuration
vr id 7 configuration
admin state down
priority 100
no authentication
advertisement-Interval 1
preempt yes
tracking interface vsan1 priority 2
protocol IP
```

Send documentation comment to mdsfeedback-doc@cisco.com

Example 16-6 Displays VRRP Status Information

```
switch# show vrrp vr 7 interface vsan 2 status
vr id 7 status
MAC address 00:00:5e:00:01:07
Operational state: init
```

Example 16-7 Displays VRRP Statistics

```
switch# show vrrp vr 7 interface vsan 2 statistics
vr id 7 statistics
Become master 0
Advertisement 0
Advertisement Interval Error 0
Authentication Failure 0
TTL Error 0
Priority 0 Received 0
Priority 0 Sent 0
Invalid Type 0
Mismatch Address List 0
Invalid Authentication Type 0
Mismatch Authentication 0
Invalid Packet Length 0
```

Example 16-8 Displays VRRP Cumulative Statistics

```
switch# show vrrp statistics
Invalid checksum 0
Invalid version 0
Invalid VR ID 0
```

Clearing VRRP Statistics

Use the **clear vrrp** command to clear all the software counters for the specified virtual router (see [Example 16-9](#)).

Example 16-9 Clears VRRP Information

```
switch# clear vrrp 7 interface vsan2
switch#
```

[Send documentation comment to mdsfeedback-doc@cisco.com](mailto:mdsfeedback-doc@cisco.com)

Configuring DNS Server

The DNS client on the switch communicates with the DNS server to perform the IP address to name server correspondence.

To configure a DNS server, follow these steps:

	Command	Purpose
Step 1	switch# config t switch(config)#	Enters configuration mode.
Step 2	switch(config)# ip domain-lookup	Enables the IP Domain Naming System (DNS)-based host name-to-address translation.
	switch(config)# no ip domain-lookup	Disables (default) the IP DNS-based host name-address translation and reverts to the factory default.
Step 3	switch(config)# no ip domain-name cisco.com	Disables the domain name and reverts to the factory default.
	switch(config)# ip domain-name cisco.com	Enables (default) the default domain name feature used to complete unqualified host names. Any IP host name that does not contain a domain name (that is, any name without a dot), will have the dot and cisco.com appended to it before being added to the host table.
Step 4	switch(config)# ip domain-list harvard.edu	Defines a list of default domain names to complete unqualified host names, use the ip domain-list global configuration command. You can define up to 10 domain names in this list. To delete a name from a list, use the no form of this command.
	switch(config)# ip domain-list stanford.edu	
	switch(config)# ip domain-list yale.edu	
	switch(config)# no ip domain-list	Deletes the defined list and reverts to factory default. No domains are configured by default.
	Note If you have not configured a domain list, the domain name that you specified with the ip domain-name global configuration command is used. If you did configure a domain list, the default domain name is not used. The ip domain-list command is similar to the ip domain-name command, except that with the ip domain-list command you can define a list of domains, each to be tried in turn.	
Step 5	switch(config)# ip name-server 15.1.0.1 15.2.0.0	Specifies the first address (15.1.0.1) as the primary server and the second address (15.2.0.0) as the secondary sever. You can configure a maximum of six servers.
	switch(config)# no ip name-server	Deletes the configured server(s) and reverts to factory default. No server is configured by default.
	Note Alternatively, you can configure the DNS entry using the switch names (instead of IP addresses). The configured switch name automatically looks up the corresponding IP address.	

The DNS server may be dropped after two attempts due to the following reasons:

- if the IP address or the switch name is wrongly configured
- if the DNS server is not reachable due to external reasons (reasons beyond our control)



Note

When accessing a telnet host, if the DNS server is not reachable (for any reason) the switch login prompt may take a longer time to appear. If so, verify that the DNS server is accurately configured and reachable.

Send documentation comment to mdsfeedback-doc@cisco.com

Displaying DNS Host Information

Use the **show hosts** command to display the DNS configuration (see [Example 16-10](#)).

Example 16-10 Displays Configured Host Details

```
switch# show hosts
Default domain is cisco.com
Domain list: ucsc.edu harvard.edu yale.edu stanford.edu
Name/address lookup uses domain service
Name servers are 15.1.1.1 15.2.0.0
```

Default Settings

[Table 16-1](#) lists the default settings for IP features.

Table 16-1 Default IPFC Settings

Parameters	Default
VSAN IP interface configuration	No IP address is assigned by default.
IP routing	Disabled.
Domain lookup	Disabled.
Domain name	Enabled.
Domain list	No domains are configured.
Name server	No servers are configured.
Virtual router	Disabled (shutdown).
Virtual router priority for switches with secondary IP address	100.
Virtual router priority for switches with primary IP address	255.
Time interval between advertisement frames	1 second.
Preempting master VR	Enabled.
VRRP security authentication	No authentication.
Interface state tracking	Disabled.