



CHAPTER 2

Installing IDS-4210

This chapter describes IDS-4210 and how to install it and its accessories.



Note

IDS-4215 replaced IDS-4210, which is no longer sold.



Note

If you purchased an IDS-4210 before July 2003, you must upgrade the memory to 512 MB to install Cisco IPS 5.0. For more information, see [Upgrading the Memory, page 2-3](#).



Note

IDS-4210 does not support inline (IPS) mode.

This chapter contains the following sections:

- [Front and Back Panel Features and Indicators, page 2-2](#)
- [Upgrading the Memory, page 2-3](#)
- [Installing IDS-4210, page 2-5](#)
- [Installing the Accessories, page 2-7](#)

Front and Back Panel Features and Indicators

Figure 2-1 shows the front panel indicators on IDS-4210.

Figure 2-1 Front Panel Features

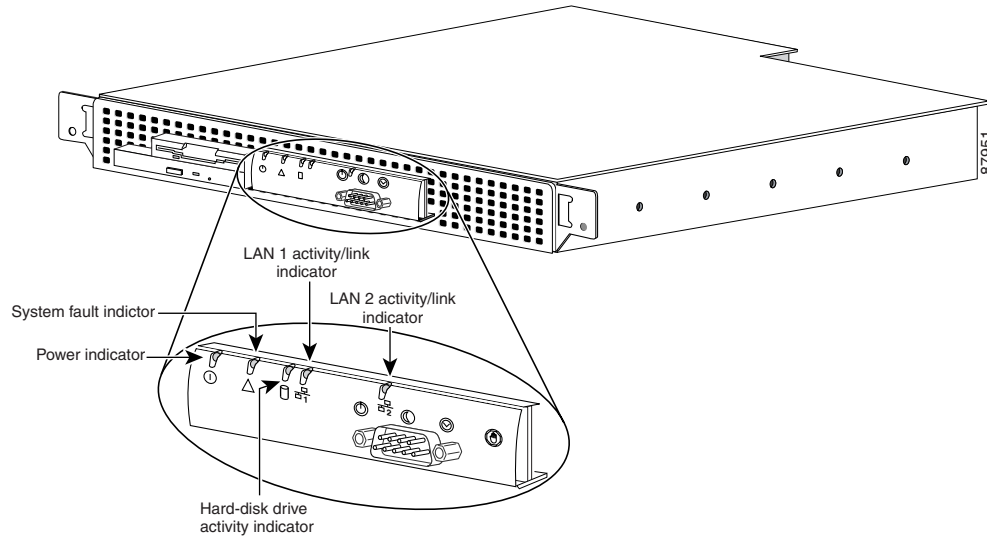
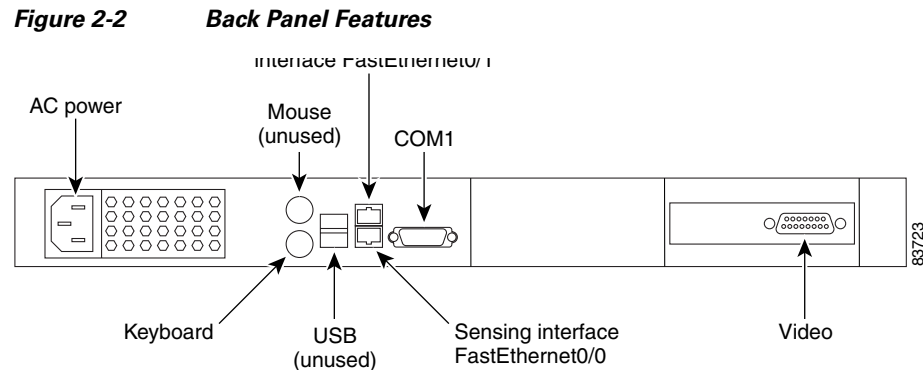


Table 2-1 describes the appearance and function of the front panel indicators.

Table 2-1 Front Panel Indicators

Indicator	Color	Function
Power	Green	Lights up when the system is connected to an AC power source; blinks when the system is in sleep mode.
System fault	Amber	Blinks during system startup or when a system fault is detected.
Hard-disk drive activity	Green	Blinks when hard-disk drive activity occurs.
LAN1 activity/link	Amber	Lights up when the LAN1 connector is linked to an Ethernet port; blinks when activity occurs on this channel.
LAN2 activity/link	Amber	Lights up when the LAN2 connector is linked to an Ethernet port; blinks when activity occurs on this channel.

Figure 2-2 shows the back panel features on IDS-4210.



Upgrading the Memory

IDS-4210, IDS-4210-K9, and IDS-4210-NFR must have 512 MB of RAM to support Cisco IPS 5.0. If you are upgrading an existing IDS-4210, IDS-4210-K9, or IDS-4210-NFR to 5.0, you must insert one additional 256-MB DIMM (part number IDS-4210-MEM-U) to upgrade the memory to the required 512 MB minimum.



Note

Do not install an unsupported DIMM. Doing so nullifies the warranty.



Caution

Follow proper safety procedures when performing these steps by reading the safety warnings in [Regulatory Compliance and Safety Information for the Cisco Intrusion Prevention System 4200 Series Appliance Sensor](#).

To upgrade the memory, follow these steps:

Step 1 Log in to the CLI.

Step 2 Prepare the appliance to be powered off:

```
sensor# reset powerdown
```

Wait for the power down message before continuing with Step 3.



Note

You can also power down the sensor from IDM or ASDM.

Step 3 Power off the appliance.

Step 4 Remove the power cord and other cables from the appliance.

Step 5 Place the appliance in an ESD-controlled environment.

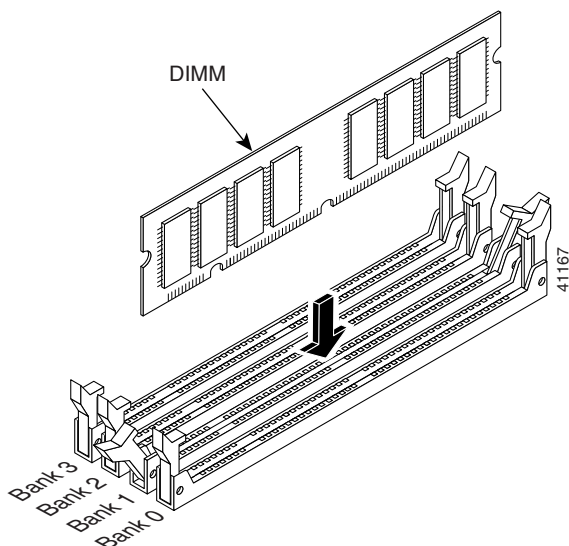
For more information, see [Working in an ESD Environment, page 1-19](#).

Step 6 Remove the chassis cover by unscrewing the screw on the front of the cover and sliding the cover straight back.

Step 7 Locate the DIMM sockets and select the empty DIMM socket next to the existing DIMM.



Note The existing DIMM is installed in socket 0. The angled position of the DIMM sockets make installing an additional DIMM in socket 1 difficult if a DIMM occupies socket 0. Therefore, you should first remove the existing DIMM from socket 0, place the new DIMM in socket 1, and then replace the existing DIMM in socket 0.



Step 8 Locate the ejector tabs on either side of the DIMM socket. Press down and out on tabs to open the slot in the socket.

Step 9 Install the new DIMM, by positioning the DIMM into the socket and pressing it into place.



Note Do not force the DIMM into the socket. Alignment keys on the DIMM ensure that it only fits in the socket one way. If you need additional leverage, you can gently press down on the DIMM with your thumbs while pulling up on the ejector tabs.

Step 10 Replace the chassis cover and reconnect the power.

Step 11 Power on the sensor and make sure the new memory total is correct.



Note If the memory total does not reflect the added DIMMs, repeat Steps 1 through 4 to ensure the DIMMs are seated correctly in the socket.

Installing IDS-4210



Warning

Only trained and qualified personnel should be allowed to install, replace, or service this equipment. Statement 1030



Caution

Follow proper safety procedures when performing these steps by reading the safety warnings in *Regulatory Compliance and Safety Information for the Cisco Intrusion Prevention System 4200 Series Appliance Sensor*.



Note

If you purchased an IDS-4210 before July 2003, you must upgrade the memory to 512 MB to install Cisco IPS 5.0. For more information, see [Upgrading the Memory, page 2-3](#).

To install IDS-4210 on the network, follow these steps:

Step 1 Position IDS-4210 on the network.

Step 2 Attach the power cord to IDS-4210 and plug it in to a power source (a UPS is recommended).



Note

When you first plug an IDS-4210 into a power source, it powers on momentarily and then powers off leaving the NIC link lights lit. This is normal behavior. Press the power switch to boot the system into operation.

Step 3 Use the dual serial communication cable (PN 72-1847-01, included in the accessory kit) to attach a laptop to the COM1 port of IDS-4210 (see [Table 2-2](#) for a list of the terminal settings), or connect a keyboard and monitor to IDS-4210.

Table 2-2 Terminal Settings

Terminal	Setting
Bits per second	9600
Data bits	8
Parity	None
Stop bits	1
Flow control	Hardware or RTS/CTS



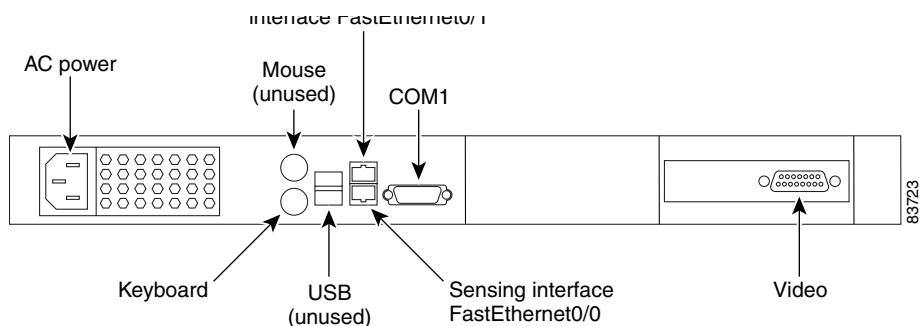
Caution

We recommend that you use the dual serial communication cable (PN 72-1847-01, included in the accessory kit) rather than a keyboard and monitor, because some keyboards and monitors may be incompatible with IDS-4210.



Note You can use a 180 rollover or straight-through patch cable to connect IDS-4210 to a port on a terminal server with RJ-45 or hydra cable assembly connections. Use a M.A.S.H adapter (part number 29-4077-02) to connect the appropriate cable to a port on the terminal server. For the instructions for setting up a terminal server, see [Connecting an Appliance to a Terminal Server](#), page 1-9.

Step 4 Attach the network cables.



IDS-4210 has the following interfaces:

- FastEthernet0/0 is the sensing port.
- FastEthernet0/1 is the command and control port.

Step 5 Upgrade the memory on IDS-4210.

For the procedure, see [Upgrading the Memory](#), page 2-3.



Caution You must upgrade the memory on IDS-4210 to a minimum of 512 MB before you can install the most recent Cisco IPS software.

Step 6 Power on IDS-4210.

Step 7 Initialize IDS-4210.

For the procedure, see [Initializing the Sensor](#), page 9-2.

Step 8 Upgrade IDS-4210 to the latest Cisco IPS software.

For the procedure, see [Obtaining Cisco IPS Software](#), page 10-1.

You are now ready to configure intrusion detection on the appliance.

For More Information

- For the procedure for using HTTPS to log in to IDM, refer to [Logging In to IDM](#).
- For the procedures for configuring intrusion prevention on your sensor, refer to the following documents:
 - [Installing and Using Cisco Intrusion Prevention System Device Manager 5.0](#)
 - [Configuring the Cisco Intrusion Prevention System Sensor Using the Command Line Interface 5.0](#)

Installing the Accessories

You can install a bezel, and center or front mounting brackets for the IDS-4210. This section describes how to install the bezel and mounting brackets, contains the following topics:

- [Accessories Package Contents, page 2-7](#)
- [Installing and Removing the Bezel, page 2-7](#)
- [Installing Center Mount Brackets, page 2-8](#)
- [Installing Front Mount Brackets, page 2-9](#)

Accessories Package Contents

The following items are shipped in the accessories package for IDS-4210:

- Cisco IDS-4210 bezel
- Power cable
- Network patch cable
- Computer interconnection cable
- Dual serial communication cable
- Rack mounting brackets
- Documentation and software
 - Cisco IDS recovery/upgrade CD
 - Cisco Documentation CD
 - *Cisco Intrusion Prevention System Documentation Roadmap 5.0*
 - *Regulatory Compliance and Safety Information for the Cisco Intrusion Prevention System 4200 Series Appliance Sensor*

Installing and Removing the Bezel

You can install a Cisco bezel for IDS-4210.

To install and remove the bezel on IDS-4210, follow these steps:

-
- Step 1** To insert the bezel on IDS-4210, follow these steps:
- a. Align the bottom tabs on the bezel with the slots on IDS-4210.
 - b. Align the side tabs on the bezel with the slots on IDS-4210.
 - c. Press the bezel into IDS-4210.
- Step 2** To remove the bezel from IDS-4210, press the side tabs and pull.
-

Installing Center Mount Brackets

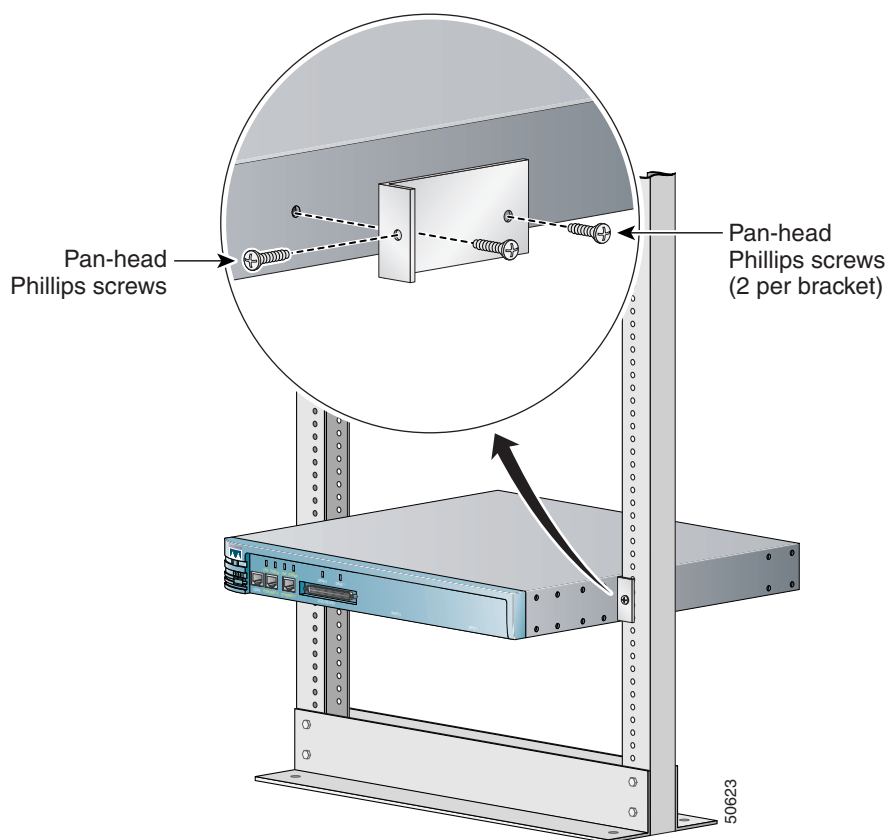
You need the following tools and supplies to install the brackets in a two-post, open-frame relay rack:

- #2 Phillips screwdriver
- Masking tape or felt-tip pen to mark the mounting holes to be used

To install the center mount brackets in a two-post, open-frame relay rack, follow these steps:

-
- Step 1** Determine where you want to place IDS-4210.
- Step 2** Mark the upper and lower mounting positions on the two posts.
- Step 3** Locate one of the two brackets and align it over the two threaded holes on the side of IDS-4210 (Figure 2-3).

Figure 2-3 Installing Center Mount Brackets



- Step 4** Secure the bracket to IDS-4210 chassis using two screws (Figure 2-3).
- Step 5** Repeat Step 4 to install the remaining bracket on the other side of IDS-4210.
- Step 6** Lift IDS-4210 into position between the two posts with the hole in the mounting bracket aligned one hole above the mark you made in the two posts (Figure 2-3).

- Step 7** Secure IDS-4210 to the rack using a screw through the mounting bracket to the front of the left and right posts (Figure 2-3).

Installing Front Mount Brackets

Make sure you have the following supplies (found in the front mount bracket assembly kit) and tools to install the front mount brackets in a two-post, open-frame relay rack:

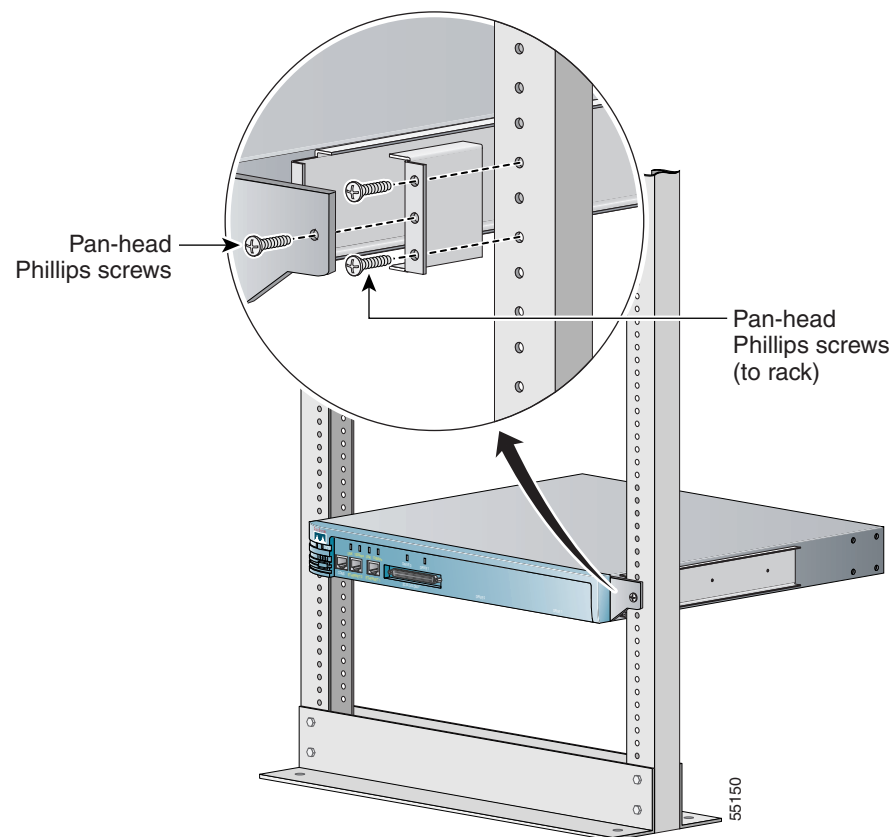
- Two chassis support brackets
- Two rack-mounting brackets
- Six screws
- #2 Phillips screwdriver



Note

The front mount bracket assembly is not intended for use as a slide rail system. The server must be firmly attached to the rack, as shown in Figure 2-4.

Figure 2-4 Front Mount Brackets



**Caution**

The chassis support brackets included in this kit are rated for 50 pounds of load per pair of brackets for general use for 10,000 cycles of opening and closing. Higher cycles or frequency will lower the load rating. The chassis support brackets are meant to support the weight of only one IDS-4210.

To install the front mount brackets, follow these steps:

-
- Step 1** Make sure IDS-4210 is turned off and is not plugged in to an electrical outlet.
 - Step 2** Use the screws provided to attach one chassis support bracket to each side of IDS-4210. Use three screws on each side.
 - Step 3** Use the screws provided with the rack to attach the rack mounting brackets to the rack.
 - Step 4** Slide the chassis support brackets on IDS-4210 into the rack mounting brackets attached to the rack.
 - Step 5** Use the bolts provided with the rack to fasten the front flanges of IDS-4210 to the rack.

**Note**

When you are done, IDS-4210 should not slide on the channel bar.
