



Quick Start Guide



Cisco Small Business Model WVC210 Wireless-G PTZ Internet Video Camera with 2-Way Audio

Package Contents

- WVC210 Camera
- Power Adaptor
- Antenna
- Camera Desktop Stand
- Quick Start Guide
- 6-Foot Ethernet Cable
- Setup and Documentation CD-ROM

1 Before You Begin

- To configure the Cisco WVC210 camera, you need at least one computer with an active LAN IP connection.
- You must perform the initial configuration of the Cisco WVC210 camera from a personal computer connected to the camera using a wired connection to the Ethernet port. The initial configuration cannot be performed over a wireless connection.

Once the hardware installation is complete, Cisco strongly recommends that you run the Setup Wizard on the Setup CD-ROM for first-time software installation of the camera. Advanced users can set up the Cisco WVC210 directly from the web interface of the camera.

2 Camera Installation

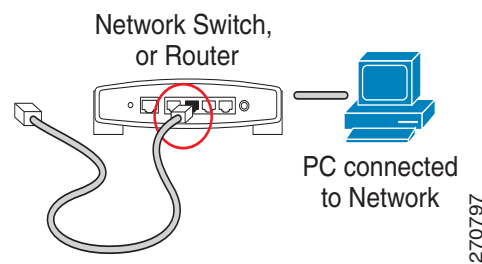
To install the Cisco WVC210 camera, follow these steps.

- STEP 1** Connect the antenna to the antenna connector on the camera.
- STEP 2** (Optional) The Cisco WVC210 camera includes a camera desktop stand. Set the bottom of the camera into the stand.

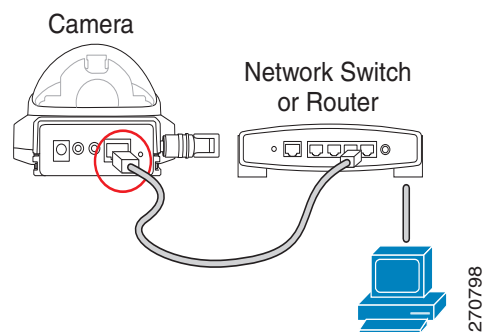


STEP 3 Place the camera, and adjust its aim accordingly.

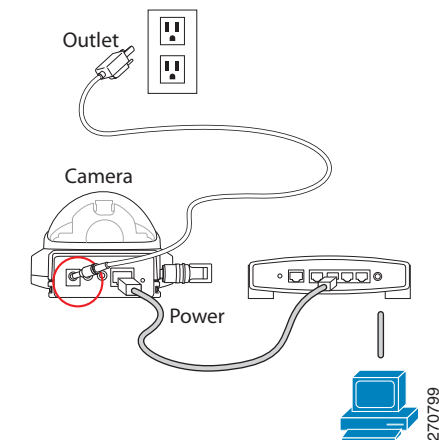
STEP 4 Connect the included Ethernet network cable to the network router or switch.



STEP 5 Connect the other end of the cable to the Cisco WVC210 camera's Ethernet port.



STEP 6 Connect the included power adaptor to the camera's Power port. Plug the other end into a standard electrical outlet.



STEP 7 Verify that the camera LEDs are lit.



Refer to the following table that describes the LEDs and their functions.

The Cisco WVC210 camera has four LEDs to let you know how the camera is functioning.

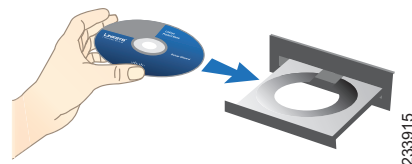
LED	Color	Description
Power	Amber	The POWER LED lights up when the camera is powered on. It flashes for about 10-15 seconds while the camera is initializing.
Activity	Green	The ACTIVITY LED flashes when there is activity.
Ethernet	Green	The ETHERNET LED lights up when there is a connection to a wired network. It flashes when data is transmitted to or received from the wired network.
Wireless	Green	The WIRELESS LED lights up when there is a connection to a wireless network. It flashes when data is transmitted to or received from the wireless network.

STEP 8 (Optional) If the Cisco WVC210 camera is not functioning correctly, you can press the Reset button to reset the camera. The Reset button is found next to the Ethernet port. Insert a paper clip into the opening and hold it in for more than three seconds. Be aware that resetting the camera will erase all of your settings and return the camera to factory defaults.

3 Configuration

Follow these steps to configure your Cisco WVC210 camera.

- STEP 1** Insert the Cisco WVC210 Setup CD into your PC's CD-ROM drive. If the CD doesn't run automatically, go to My Computer and click on the CD-ROM drive to launch the application.



- STEP 2** When the Setup screen appears, click the **Start** button.



- STEP 3** Follow the Setup Wizard instructions to configure the Cisco WVC210 camera.

TIPS

- Refer to the complete instructions found in the *Cisco WVC210 Wireless-G PTZ Internet Video Camera Administration Guide* at the following location: http://www.cisco.com/en/US/products/ps9944/prod_maintenance_guides_list.html.
- As you go through the configuration, the default user name and password is **admin**. Type **admin** in lowercase letters in the User name and Password fields when prompted, then click **OK**.
- If the Setup Wizard does not find your Cisco WVC210 camera, you need to enable UPnP on your computer. Instructions on how to enable UPnP are found in the *Cisco WVC210 Wireless-G PTZ Internet Video Camera Administration Guide*. http://www.cisco.com/en/US/products/ps9944/prod_maintenance_guides_list.html.

4 Wired and Wireless Modes

After the initial configuration, you can use the camera in one of two modes: wired or wireless. You cannot use the camera in both modes simultaneously.

To switch between wired and wireless modes, power cycle the camera with an Ethernet cable attached for a wired solution, or power cycle the camera without an Ethernet cable attached for a wireless solution.

Verify the mode you are in by viewing the LEDs. Unplugging the Ethernet cable does not automatically switch the camera to wireless mode.

5 Where to Go from Here

Resource	Location
Product Information	www.cisco.com/go/surveillance
Technical Documentation	http://www.cisco.com/en/US/products/ps9944/prod_maintenance_guides_list.html
Customer Support	www.cisco.com/en/US/support/tsd_cisco_small_business_support_center_contacts.html
Open Source License Notices	www.cisco.com/go/osln
Regulatory Compliance and Safety Information	http://www.cisco.com/en/US/products/ps9944/prod_maintenance_guides_list.html
Warranty Information	www.cisco.com/go/warranty
Cisco Partner Central site for Small Business	www.cisco.com/web/partners/sell/smb Login is required.

Americas Headquarters
Cisco Systems, Inc.
170 West Tasman Drive
San Jose, CA 95134-1706
USA
<http://www.cisco.com>
Tel: 408 526-4000
800 553-NETS (6387)
Fax: 408 527-0883



Cisco, Cisco Systems, the Cisco logo, and the Cisco Systems logo are registered trademarks or trademarks of Cisco Systems, Inc. and/or its affiliates in the United States and certain other countries. All other trademarks mentioned in this document or Website are the property of their respective owners. The use of the word partner does not imply a partnership relationship between Cisco and any other company. (0705R)

© 2009 Cisco Systems, Inc. All rights reserved.

78-18984-01