



Quick Start Guide



Cisco Small Business Model PVC300 PTZ Internet Camera with Audio and PoE

Package Contents

- PVC300 Camera
- Power Adapter
- Setup and Documentation CD
- Quick Start Guide
- Ceiling Mount Brackets and Screws
- 6-Foot Ethernet Cable

1 Before You Begin

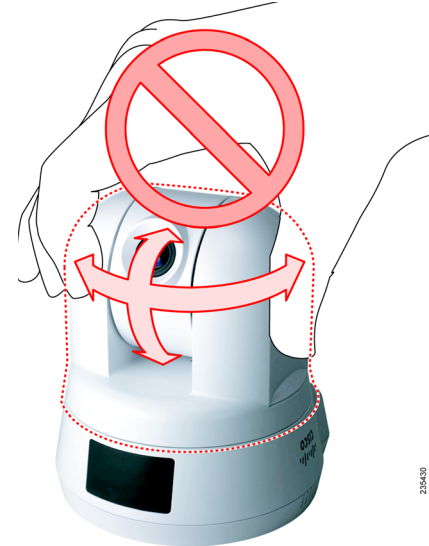
To configure the Cisco PVC300 camera, you need at least one computer with an active LAN IP connection. You will also need one of the following:

- A PoE-enabled broadband Ethernet network router or switch (so you can connect the camera to the intranet), or
- If your router or switch does not support PoE, use the included power adaptor or a PoE power injector.

Once the hardware installation is complete, Cisco strongly recommends that you run the Setup Wizard on the Setup CD-ROM for first-time software installation of the camera. Advanced users can set up the Cisco PVC300 directly from the web interface of the camera.

CAUTION Do not pick up the Cisco PVC300 IP camera from the top (head) when removing the camera from the box or installing it. Rough treatment or turning the head manually can result in damage to the camera.

Incorrect



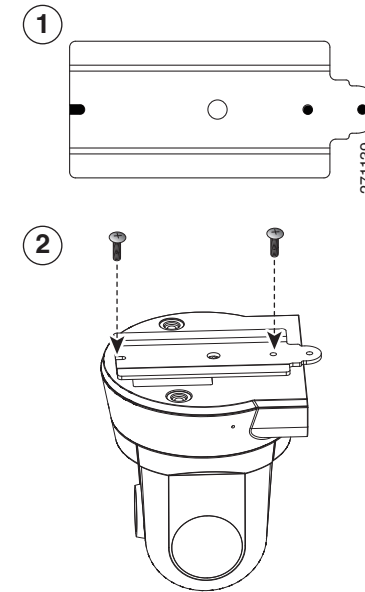
Correct



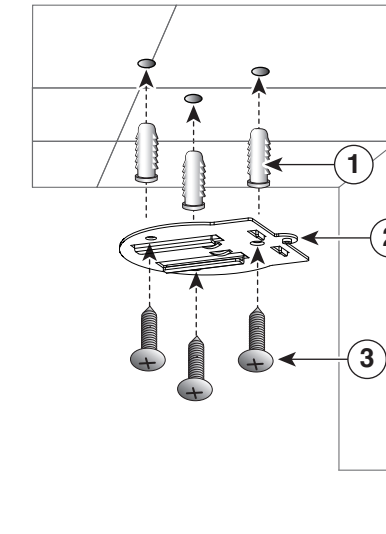
2 Installation

Follow these steps to mount the Cisco PVC300 camera.

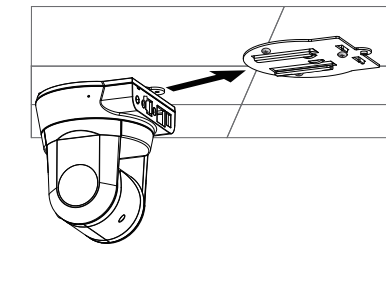
STEP 1 Attach the ceiling mount bracket (1) to the Cisco PVC300 camera and secure it with two small screws (2).



STEP 2 Drill three pilot holes into the ceiling and hammer the plastic anchors (1) into the holes. Fasten a ceiling mount bracket (2) to the ceiling with three screws (3).



STEP 3 Slide the Cisco PVC300 camera into the ceiling mount bracket.



STEP 4 Secure the two ceiling mount brackets with a small screw. The Cisco PVC300 camera is now ready for network connection.

3 Network Deployment

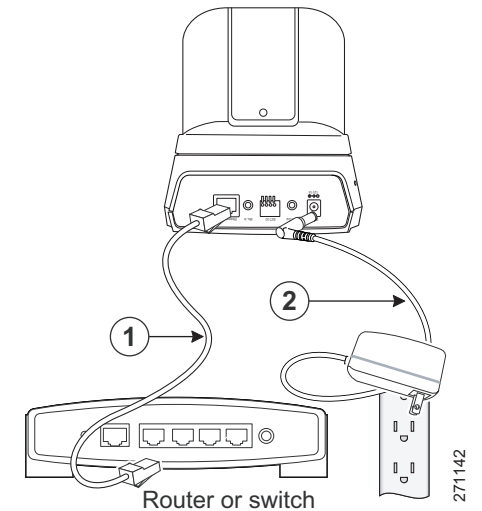
There are two options for deploying the Cisco PVC300 camera on the network:

- Basic Ethernet Setup
- Power over Ethernet (PoE) Setup

Basic Ethernet Setup

Follow these steps to perform basic Ethernet setup.

STEP 1 Connect the Cisco PVC300 camera to a router or a switch using the supplied Ethernet cable (1).



STEP 2 Connect the supplied power cable (2) from the Cisco PVC300 camera to a power outlet.

Power over Ethernet (PoE) Setup

There are two options for powering the Cisco PVC300 camera over Ethernet:

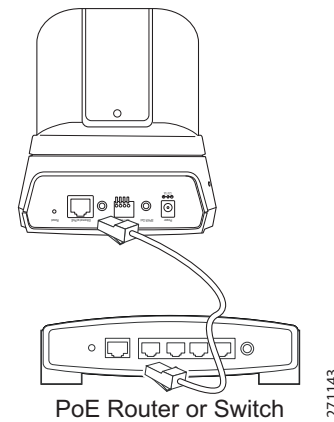
- Using a PoE-Enabled Router or Switch
- Using a Non-PoE Router or Switch

Using a PoE-Enabled Router or Switch

The PVC300 camera is PoE-compliant, which allows it to be powered using a single Ethernet cable to a PoE-enabled broadband router or switch. A power adapter is not required when powered through a PoE router or switch.

Follow this step to connect your Cisco PVC300 camera to a PoE-enabled switch.

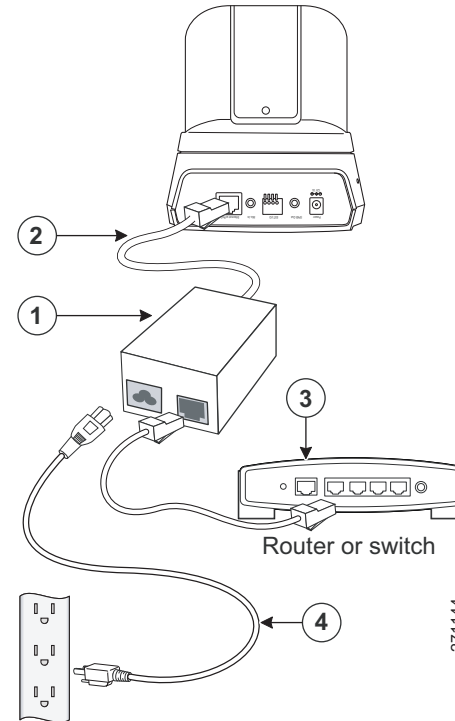
- STEP 1** Connect the Cisco PVC300 camera to the router or switch using an Ethernet cable.



Using a Non-PoE Router or Switch

If your broadband switch or router does not support PoE, use a PoE power injector (not provided) to connect the Cisco PVC300 camera to the broadband router or switch. Follow these steps to connect your Cisco PVC300 camera to a non-PoE-enabled switch through a PoE power injector.

- STEP 1** Connect the PoE power injector (1) to the Cisco PVC300 camera using an Ethernet cable (2).



- STEP 2** Connect the broadband router or switch to the PoE power injector using an Ethernet cable (3).

- STEP 3** Connect the PoE power injector to power (4).

Congratulations! The Cisco PVC300 camera is now ready for configuration.

4 Configuration

Follow these steps to configure your Cisco PVC300 camera.

- STEP 1** Insert the PVC300 Setup CD into the CD-ROM drive of your PC. If the CD doesn't run automatically, go to My Computer and click on the CD-ROM drive.
- STEP 2** Launch the Setup Wizard.
- STEP 3** Follow the on-screen instructions to configure the Cisco PVC300 camera.

For more information on how to configure and use the Cisco PVC300 camera, see the *Cisco Small Business Administration Guide for the Model PVC300 PTZ Internet Camera with Audio and PoE* found at:

https://www.cisco.com/en/US/products/ps9944/prod_maintenance_guides_list.html

5 Where to Go From Here

Resource	Location
Product Information	www.cisco.com/go/surveillance
Technical Documentation	http://www.cisco.com/en/US/products/ps9944/prod_maintenance_guides_list.html
Customer Support	www.cisco.com/en/US/support/tsd_cisco_small_business_support_center_contacts.html
Open Source License Notices	www.cisco.com/go/osln
Regulatory Compliance and Safety Information	http://www.cisco.com/en/US/products/ps9944/prod_maintenance_guides_list.html
Warranty Information	www.cisco.com/go/warranty
Cisco Partner Central site for Small Business	www.cisco.com/web/partners/sell/smb

Americas Headquarters
Cisco Systems, Inc.
170 West Tasman Drive
San Jose, CA 95134-1706
USA
<http://www.cisco.com>
Tel: 408 526-4000
800 553-NETS (6387)
Fax: 408 527-0883



Cisco, Cisco Systems, the Cisco logo, and the Cisco Systems logo are registered trademarks or trademarks of Cisco Systems, Inc. and/or its affiliates in the United States and certain other countries. All other trademarks mentioned in this document or Website are the property of their respective owners. The use of the word partner does not imply a partnership relationship between Cisco and any other company. (0705R)

© 2009 Cisco Systems, Inc. All rights reserved.

♻️ Printed in the USA on recycled paper containing 10% postconsumer waste.