



Connecting Interface Cables

This chapter describes how to connect the cables to the Console, Auxiliary, Management, Cisco 4GE SSM, and SSM ports. In this document, SSM refers to an intelligent SSM, the AIP SSM, or the CSC SSM.

This chapter includes the following sections:

- [Connecting Cables to Interfaces, page 4-2](#)
- [What to Do Next, page 4-10](#)



Note

The 4GE SSM, AIP SSM, and CSC SSM are optional security services modules. Skip these steps if your adaptive security appliance does not include these modules.



Warning

Only trained and qualified personnel should install, replace, or service this equipment. Statement 49



Caution

Read the safety warnings in the *Regulatory Compliance and Safety Information for the Cisco ASA 5500 Series* and follow proper safety procedures when performing these steps.

Connecting Cables to Interfaces

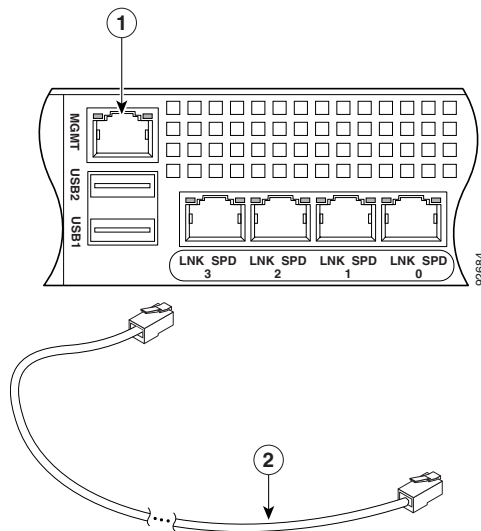
To connect cables to the interfaces, perform the following steps:

-
- Step 1** Place the chassis on a flat, stable surface, or in a rack (if you are rack-mounting it).
- Step 2** Before connecting a computer or terminal to the ports, check to determine the baud rate of the serial port. The baud rate must match the default baud rate (9600 baud) of the Console port of the adaptive security appliance. Set up the terminal as follows: 9600 baud (default), 8 data bits, no parity, 1 stop bits, and Flow Control (FC) = Hardware.
- Step 3** Connect the cables to the ports.
- a. Management port—The adaptive security appliance has a dedicated management interface referred to as the Management0/0 port. The Management0/0 port is a Fast Ethernet interface with a dedicated port used only for traffic management. Similar to the Console port, but the Management port accepts only incoming traffic to the adaptive security appliance.



Note You can configure any interface to be a management-only interface using the **management-only** command. You can also disable management-only mode on the management interface. For more information about this command, see the **management-only** command in the *Cisco Security Appliance Command Reference*.

- Connect one RJ-45 connector to the Management0/0 port, as shown in [Figure 4-1](#).
- Connect the other end of the Ethernet cable to the Ethernet port on your computer.

Figure 4-1 Connecting to the Management Port

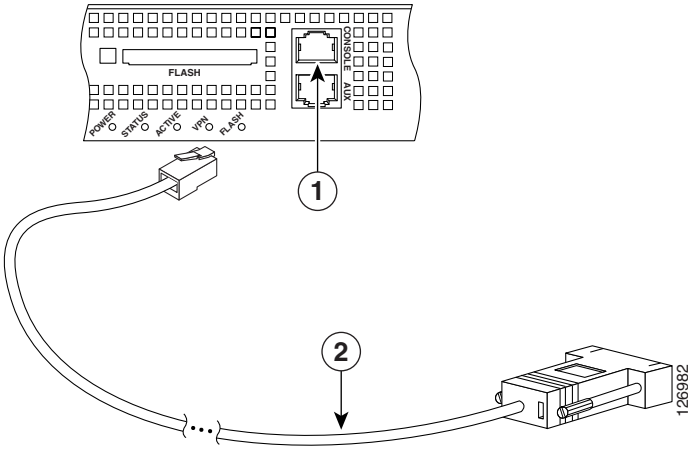
1	Management port	2	RJ-45 to RJ-45 Ethernet cable
----------	-----------------	----------	-------------------------------

**Note**

When connecting a computer directly to the management port on the adaptive security appliance, use a crossover Ethernet cable. When connecting a computer to the adaptive security appliance through a hub or switch, use a straight through Ethernet cable to connect the hub or switch to the management port.

- b. Console port
 - Connect the serial console cable as shown in [Figure 4-2](#). The console cable has a DB-9 connector on one end for the serial port on your computer, and the other end is an RJ-45 connector.
 - Connect the RJ-45 connector to the Console port on the adaptive security appliance.
 - Connect the other end of the cable, the DB-9 connector, to the console port on your computer.

Figure 4-2 Connecting the Console Cable

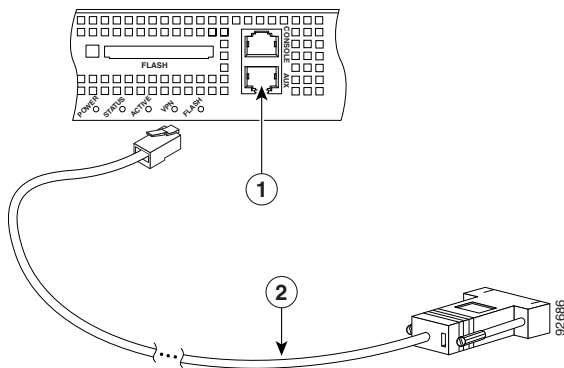


1	RJ-45 Console port	2	RJ-45 to DB-9 console cable
----------	--------------------	----------	-----------------------------

c. Auxiliary port

- Connect the serial console cable as shown in [Figure 4-2](#). The console cable has a DB-9 connector on one end for the serial port on your computer, and the other end is an RJ-45 connector.
- Connect the RJ-45 connector to the Auxiliary port (labeled AUX) on the adaptive security appliance, as shown in [Figure 4-3](#).
- Connect the other end of the cable, the DB-9 connector, to the serial port on your computer.

Figure 4-3 Connecting to the AUX Port



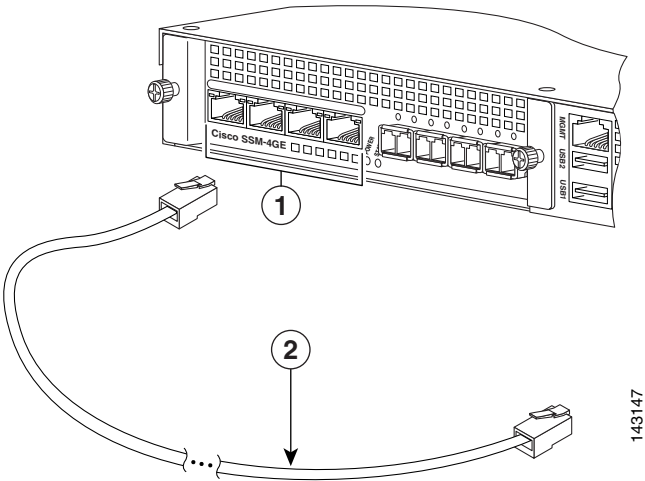
1	RJ-45 AUX port	2	RJ-45 to DB-9 console cable
----------	----------------	----------	-----------------------------

- d. Cisco 4GE SSM
 - Ethernet port
 - Connect one RJ-45 connector to the Ethernet port of the Cisco 4GE SSM as shown in Figure 4-4.
 - Connect the other end of the Ethernet cable to your network device, such as a router, switch or hub.



Note The Cisco 4GE SSM is optional; this connection is necessary only if you have installed the Cisco 4GE SSM on the adaptive security appliance.

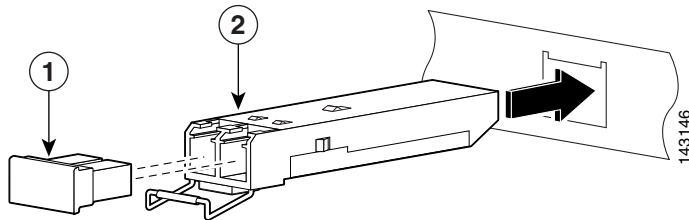
Figure 4-4 Connecting to the RJ-45 port



1	Ethernet ports	2	RJ-45 connector
----------	----------------	----------	-----------------

- SFP modules
 - Insert and slide the SFP module into the SFP port until you hear a click. The click indicates that the SFP module is locked into the port.
 - Remove the optical port plugs from the installed SFP as shown in [Figure 4-5](#).

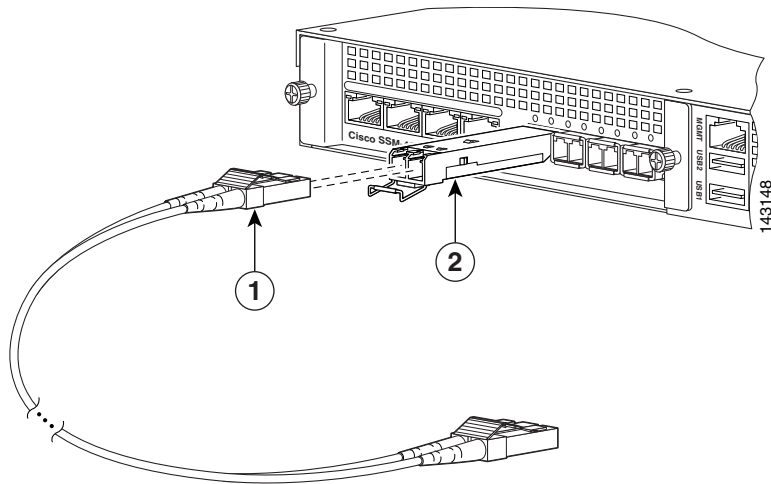
Figure 4-5 **Removing the Optical Port Plug**



1	Optical port plug	2	SFP module
----------	-------------------	----------	------------

- Connect the LC connector to the SFP module as shown in [Figure 4-6](#).

Figure 4-6 Connecting the LC Connector



1	LC connector	2	SFP module
----------	--------------	----------	------------

- Connect the other end to your network devices, such as routers, switches, or hubs.

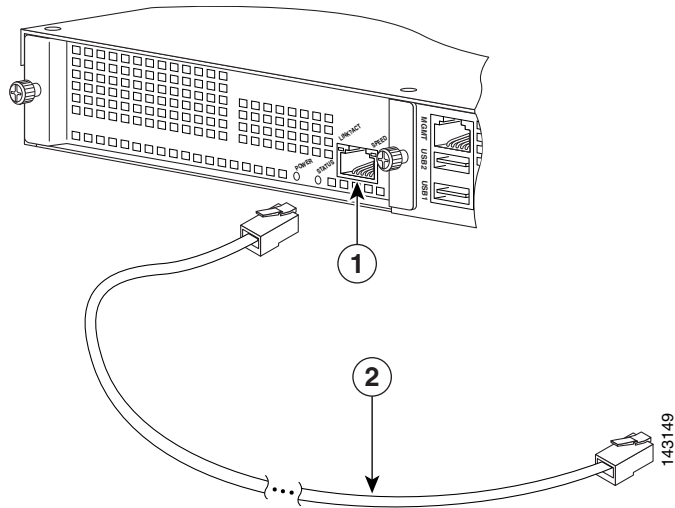
e. SSM

- Connect one RJ-45 connector to the management port on the SSM, as shown in [Figure 4-7](#).
- Connect the other end of the RJ-45 cable to your network devices.



Note

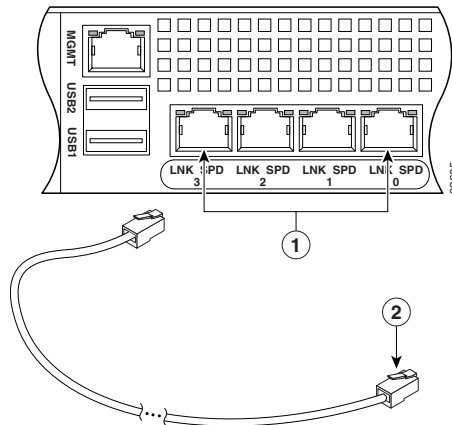
SSMs are optional; this connection is necessary only if you have installed an SSM on the adaptive security appliance.

Figure 4-7 Connecting to the Management Port

1	SSM management port	2	RJ-45 to RJ-45 cable
----------	---------------------	----------	----------------------

- f. Ethernet ports
- Connect the RJ-45 connector to the Ethernet port as shown in [Figure 4-8](#).
 - Connect the other end of the Ethernet cable to your network device, such as a router, switch or hub.

Figure 4-8 Connecting Cables to Network Interfaces



1	RJ-45 Ethernet ports	2	RJ-45 connector
----------	----------------------	----------	-----------------

- Step 4** Connect the power cord to the adaptive security appliance and plug the other end to the power source.
- Step 5** Power on the chassis.

What to Do Next

Continue with [Chapter 5, “Configuring the Adaptive Security Appliance.”](#)