



# Product Overview

This chapter describes the Cisco Connected Grid Ethernet Switch Module Interface Card, hereafter referred to as the switch module. The switch deployed together with the Cisco 2010 Connected Grid Router (CGR 2010) offers utilities a rugged networking solution to enable reliable and secure two-way communication for substation automation.




**Note**

The Cisco CGR 2010 router must be running Cisco IOS Release 15.1(4)M or higher to run the switch module.

- [Switch Models, page 1-1](#)
- [Ports, page 1-2](#)
- [LEDs, page 1-7](#)
- [Router Compact Flash Memory Cards, page 1-9](#)

## Switch Models

**Table 1-1 Connected Grid Ethernet Switch Module Interface Card Models**

Mode	Description
GRWIC-D-ES-6S (SFP fiber model)	4 100 Mb/s SFP (small form-factor pluggable) module slots, 1 Gigabit Ethernet (GE) dual-purpose port (1 10/100/1000BASE-T port and 1 100/1000 Mb/s SFP module slot), 1 100/1000 M/bs SFP module slot.
GRWIC-D-ES-2S-8PC (Copper model)	8 10/100BASE-T ports, 1 GE dual-purpose port (1 10/100/1000BASE-T port and 1 100/1000 Mb/s SFP module slot), 1 100/1000 Mb/s SFP module slot.
	 <p><b>Note</b> The first four 10/100BASE-T ports (FE0/1, FE0/2, FE0/3, FE0/4) are PoE+<sup>1</sup> ports.</p>

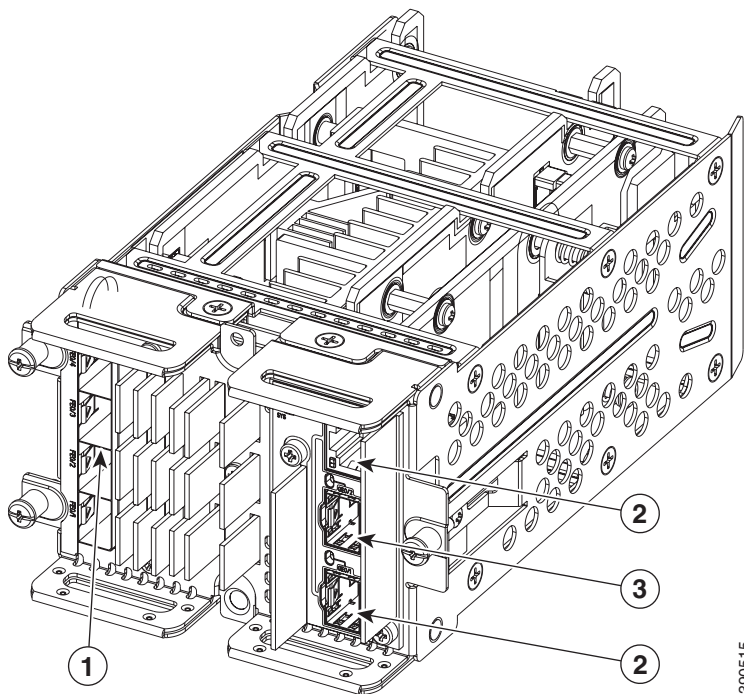
1. PoE+ = Power over Ethernet plus (provides up to 30 W per port).

# Ports

- [Port Locations, page 1-2](#)
- [Port Labeling, page 1-3](#)
- [10/100BASE-T Ports, page 1-4](#)
- [PoE and PoE+ Ports, page 1-4](#)
- [10/100 Mb/s SFP Module Slots, page 1-5](#)
- [100/1000 Mb/s SFP Module Slots, page 1-5](#)
- [Dual-Purpose Gigabit Ethernet Ports, page 1-5](#)
- [Supported SFPs, page 1-6](#)

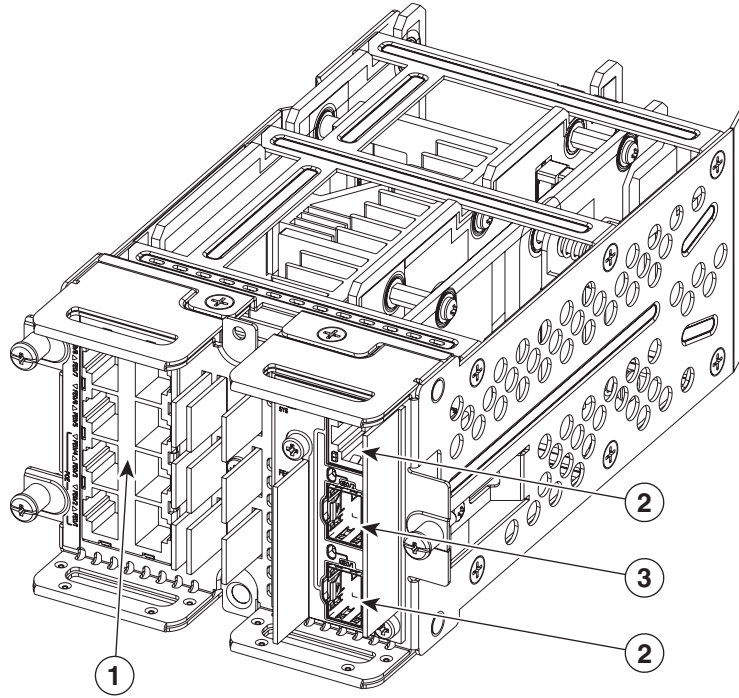
## Port Locations

**Figure 1-1** GRWIC-D-ES-6S (SFP Fiber Model)



<b>1</b>	10/100 Mb/s SFP module slots
<b>2</b>	Dual-purpose port
<b>3</b>	100/1000 Mb/s SFP module slot

**Figure 1-2 GRWIC-D-ES-2S-8PC (Copper Model)**



<b>1</b>	10/100BASE-T ports
<b>2</b>	Dual-purpose port
<b>3</b>	100/1000 Mb/s SFP Port

## Port Labeling

The port labeling for the switch modules is described in [Table 1-2](#) and [Table 1-3](#).

**Table 1-2 GRWIC-D-ES-6S Port Labeling**

Port	Label
4 10/100 Mb/s SFP module slots	FE0/1, FE0/2, FE0/3, FE0/4
Dual-purpose port (10/100/1000BASE-T port and 100/1000 Mb/s SFP module slot)	GE0/1
100/1000 Mb/s SFP module slot	GE0/2

**Table 1-3 GRWIC-D-ES-2S-8PC Port Labeling**

Port	Description
8 10/100BASE-T ports	FE0/1, FE0/2, FE0/3, FE0/4, FE0/5, FE0/6, FE0/7, FE0/8
Dual-purpose port (10/100/1000BASE-T port and 100/1000 Mb/s SFP module slot)	GE0/1
100/1000 Mb/s SFP module slot	GE0/2

## 10/100BASE-T Ports

You can set the 10/100BASE-T ports on the switch to operate in any combination of half duplex, full duplex, or 10 or 100 Mb/s. You can set the ports for speed and duplex auto-negotiation. The default setting is auto-negotiate.

When set for auto-negotiation, the switch determines the speed and duplex settings of the attached device, and advertises its own capabilities. If the connected device also supports auto-negotiation, the switch negotiates the best connection (the fastest line speed that both devices support and full-duplex transmission if the attached device supports it), and configures itself accordingly. In all cases, the attached device must be within 328 feet (100 meters).

The 10/100BASE-T ports use RJ-45 connectors with Ethernet pinouts. The maximum cable length is 328 feet (100 meters). The 100BASE-TX traffic requires Category 5, Category 5e, or Category 6 unshielded twisted pair (UTP) cable. The 10BASE-T traffic can use Category 3 or Category 4 UTP cable.



### Note

On the GRWIC-D-ES-2S-8PC switch module, the first four 10/100 Fast Ethernet ports (FE0/1, FE0/2, FE0/3, FE0/4) are PoE+ ports.

## PoE and PoE+ Ports

The first four 10/100 Fast Ethernet ports (FE0/1, FE0/2, FE0/3, FE0/4) on the GRWIC-D-ES-2S-8PC switch module are PoE+ ports.



### Warning

**Voltages that present a shock hazard may exist on Power over Ethernet (PoE) circuits if interconnections are made using uninsulated exposed metal contacts, conductors, or terminals. Avoid using such interconnection methods, unless the exposed metal parts are located within a restricted access location and users and service people who are authorized within the restricted access location are made aware of the hazard. A restricted access area can be accessed only through the use of a special tool, lock and key or other means of security.** Statement 1072

These PoE+ ports provide:

- Support for IEEE 802.3af-compliant powered devices (up to 15.4 W PoE per port) and support for IEEE 802.3at-compliant powered devices (up to 30 W PoE+ per port).
- Support for prestandard Cisco powered devices.
- Configurable support for Cisco intelligent power management, including:
  - enhanced power negotiation

- power reservation
- per-port power policing

On the GRWIC-D-ES-2S-8PC model (Copper model), the first four 10/100BASE-T ports (FE0/1, FE0/2, FE0/3, FE0/4) are PoE+ ports. A maximum of two PoE+ ports or four PoE ports can be supported at one time.

For information about configuring and monitoring PoE/PoE+ ports, see the “Interface Configuration” chapter of the *Cisco Connected Grid Ethernet Switch Module Interface Card Software Configuration Guide* on Cisco.com.

For information about port connections and port specifications, see the “Connecting Devices to the Switch Module” section on page 4-4 and the “Cable and Connectors” appendix.

**Note**

---

The output of the PoE+ circuit has been evaluated as a Limited Power Source (LPS) per IEC 60950-1.

---

## 10/100 Mb/s SFP Module Slots

The IEEE 802.3u 100 Mb/s SFP module slots provide full-duplex 100 Mb/s connectivity over multi-mode (MM) fiber cables or single-mode (SM) fiber cables. These ports use a SFP fiber-optic transceiver module that accepts a dual LC connector. Check the SFP specifications for the cable type and length.

## 100/1000 Mb/s SFP Module Slots

The IEEE 802.3u 1000 Mb/s SFP module slots provide full-duplex 100 or 1000 Mb/s connectivity over multi-mode (MM) fiber cables or single-mode (SM) fiber cables. These ports use a SFP fiber-optic transceiver module that accepts a dual LC connector. Check the SFP specifications for the cable type and length.

## Dual-Purpose Gigabit Ethernet Ports

You can configure the dual-purpose ports on the switch as either 10/100/1000 Ethernet ports or as SFP module ports. You can set the 10/100/1000 Ethernet ports to autonegotiate, or you can configure them as fixed 10, 100, or 1000 Mb/s Ethernet ports.

By default, the switch selects the medium for each dual-purpose port (10/100/1000BASE-T or SFP). When a link is achieved on one media type, the switch disables the other media type until the active link goes down. If links are active on both media, the SFP module port has priority, but you can use the **media-type** interface configuration command to manually designate the port as an RJ-45 port or an SFP port.

You can configure the speed and duplex settings consistent with the selected media type. For information on configuring interfaces, see the “Interface Configuration” chapter of the *Cisco Connected Grid Ethernet Switch Module Interface Card Software Configuration Guide* on Cisco.com.

For more information on the SFP module ports see the “Supported SFPs” section on page 1-6 and the information on the SFP modules connectors and cables in the “Cable and Connectors” appendix.

## Supported SFPs

Table 1-4 describes the supported SFP modules.



### Note

The following SFP module slot points should be noted:

- The four 100 Mb/s FE SFP module slots of the Fiber model can only support 100FX connections.
- The 100/1000 Mb/s SFP module slots support both 100FX and 1000Base-X connections.

**Table 1-4 Supported SFP Models**

Type of SFP Module	Model
Rugged and Industrial SFPs -40 to 140°F (-40 to 60°C)	<ul style="list-style-type: none"> <li>• GLC-SX-MM-RGD</li> <li>• GLC-LX-SM-RGD</li> <li>• GLC-ZX-SM-RGD</li> <li>• GLC-FE-100LX-RGD</li> <li>• GLC-FE-100FX-RGD</li> </ul>
Commercial SFPs 32 to 113°F (0 to 45°C)	<ul style="list-style-type: none"> <li>• GLC-BX-U with digital optical monitoring (DOM) support</li> <li>• GLC-BX-D with DOM support</li> <li>• GLC-FE-100LX</li> <li>• GLC-FE-100BX-D</li> <li>• GLC-FE-100BX-U</li> <li>• GLC-FE-100FX</li> <li>• GLC-FE-100EX</li> <li>• GLC-FE-100ZX</li> <li>• CWDM-SFP with DOM support</li> </ul>
Extended temperature SFPs 23 to 140°F (-5 to 60°C)	<ul style="list-style-type: none"> <li>• SFP-GE-S with DOM support</li> <li>• SFP-GE-L with DOM support</li> <li>• SFP-GE-Z with DOM support</li> <li>• GLC-EX-SMD with DOM support</li> </ul>



### Note

SFP module GLC-FE-100FX-RGD requires Version 2 to operate correctly in the switch module. After installing this SFP, you may receive the following message:

```
PLATFORM-4-SFP_REVISION_WARNING: Interface <interface> has an obsolete SFP module that is not recommended for this product.
```

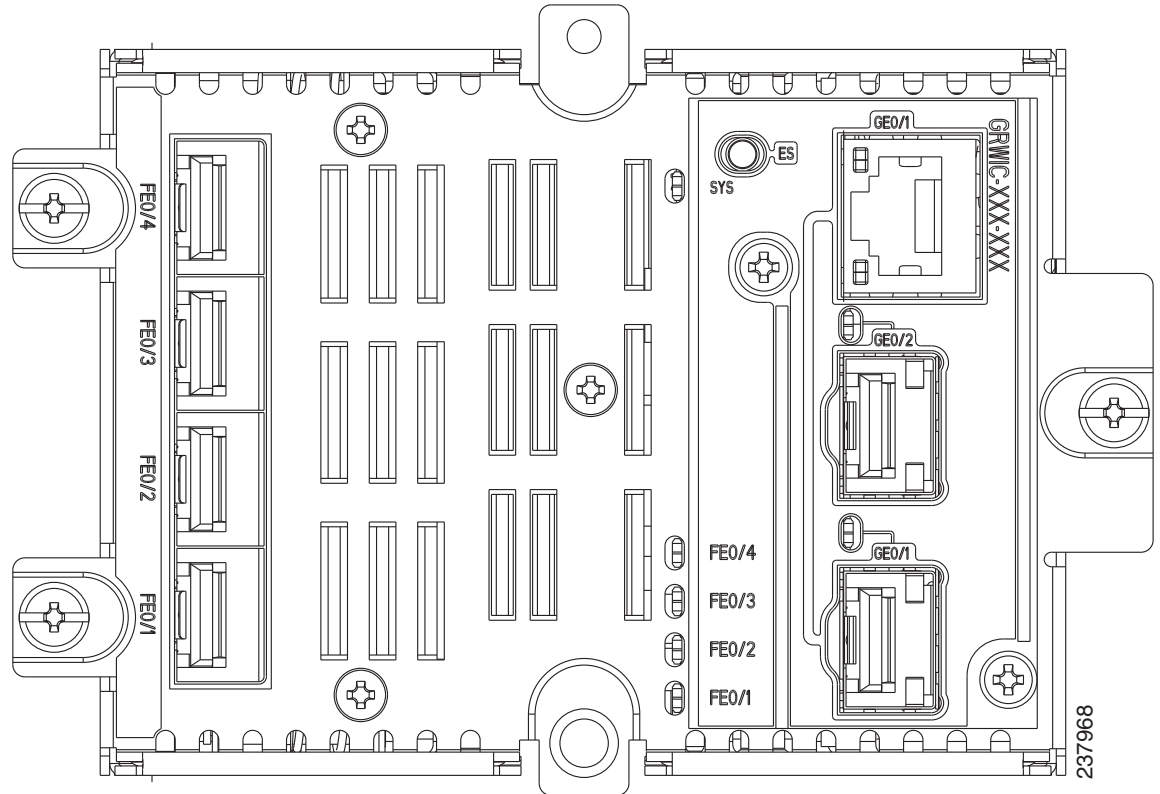
This is a software warning that occurs when detecting an older version of SFP module GLC-FE-100FX-RGD, which has been replaced with an updated version (Rev. 2).

The recommended action is to replace this SFP module with the latest Cisco certified version of this SFP. The switch module requires Rev. 2 or higher of this SFP for optimum operation over the entire operating temperature range. To check the VID for the revision number, use the **show inventory** command.

# LEDs

This section describes the location and function of the LEDs on the switch module.

**Figure 1-3 GRWIC-D-ES-6S Switch Module (SFP Fiber Model) LEDs**

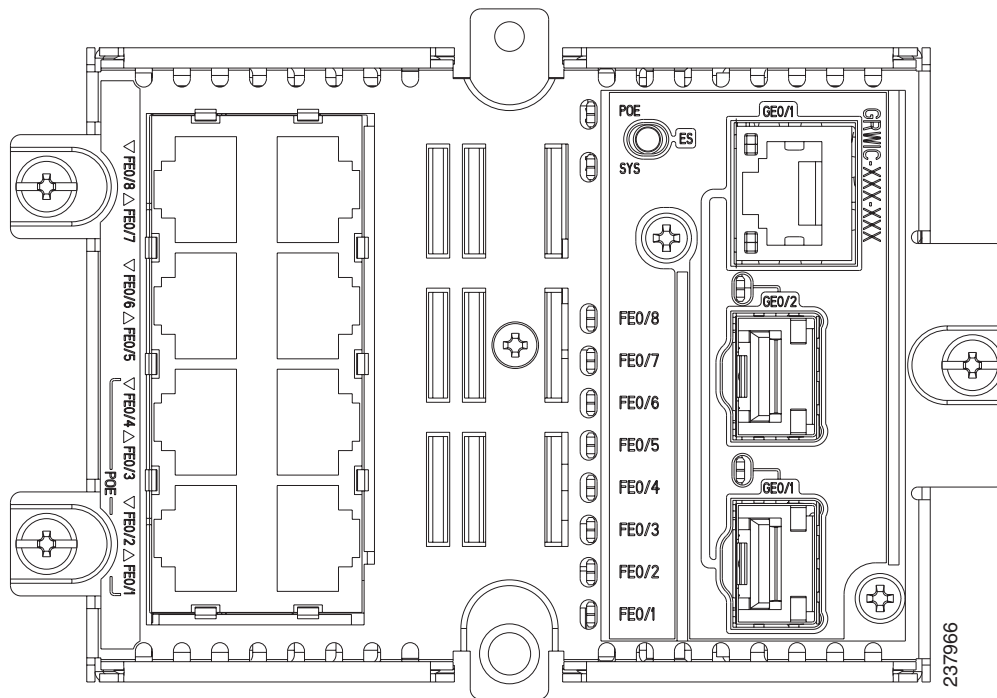


**Table 1-5 GRWIC-D-ES-6S Switch Module (SFP Fiber Model) LED Descriptions**

LED	Description
SYS	Indicates the status of the switch module. If the LED is yellow, check the Syslog for issues.
FE0/1 to FE 0/4	Indicates the state of the 100 Mb/s SFP module slots: <ul style="list-style-type: none"> <li>• LED is flashing green—data transmission is taking place.</li> <li>• LED is off—the link is down.</li> <li>• LED is solid yellow—the port is in an error state (disabled).</li> </ul>

**Table 1-5 GRWIC-D-ES-6S Switch Module (SFP Fiber Model) LED Descriptions (continued)**

LED	Description
GE0/1	Indicates the state of the Gigabit Ethernet dual purpose port: <ul style="list-style-type: none"> <li>• LED is flashing green—data transmission is taking place.</li> <li>• LED is off—the port is down.</li> <li>• LED is solid yellow—the port is in an error state (disabled).</li> </ul>
GE0/2	Indicates the state of the 1000 Mb/s SFP module slot: <ul style="list-style-type: none"> <li>• LED is flashing green—data transmission is taking place.</li> <li>• LED is off—the port is down.</li> <li>• LED is solid yellow—the port is in an error state (disabled).</li> </ul>

**Figure 1-4 GRWIC-D-ES-2S-8PC Switch Module (Copper Model) LEDs****Table 1-6 GRWIC-D-ES-2S-8PC Switch Module (Copper Model) LED Descriptions**

LED	Description
PoE	Indicates if PoE/PoE+ is functioning. The four PoE-capable ports are FE0/1, FE0/2, FE0/3, and FE0/4.
SYS	Indicates the status of the switch module. If the LED is yellow, check the Syslog for issues.

**Table 1-6** *GRWIC-D-ES-2S-8PC Switch Module (Copper Model) LED Descriptions (continued)*

LED	Description
FE0/1 to FE 0/8	Indicates state of the Fast Ethernet ports: <ul style="list-style-type: none"> <li>• LED is flashing green—data transmission is taking place.</li> <li>• LED is off—the link is down.</li> <li>• LED is solid yellow—the port is in an error state (disabled).</li> </ul>
GE0/1	Indicates the state of the Gigabit Ethernet dual purpose port: <ul style="list-style-type: none"> <li>• LED is flashing green—data transmission is taking place.</li> <li>• LED is off—the port is down.</li> <li>• LED is solid yellow—the port is in an error state (disabled).</li> </ul>
GE0/2	Indicates the state of the 1000 Mb/s SFP module slot: <ul style="list-style-type: none"> <li>• LED is flashing green—data transmission is taking place.</li> <li>• LED is off—the port is down.</li> <li>• LED is solid yellow—the port is in an error state (disabled).</li> </ul>

## Router Compact Flash Memory Cards

Compact flash cards can help you configure new or replacement routers, and to recover the configuration of a failed router. For example, if the Connected Grid Swap Drive feature is enabled, you can transfer the same system configuration information from one router to another by using a compact flash memory card (or compact flash card) while the routers are operating. This is done by inserting an optional compact flash card in slot CF1 and copying all contents of CF0. After the copy operation is completed, you can remove and insert this compact flash card unit in slot CF0 of either a new router or a replacement router for a failed unit. When the new or replacement router is rebooted, it uses the configuration from the compact flash card as the running and startup configuration. This functionality enables you to quickly configure new or replacement routers with a standard configuration with little or no manual configuration required.

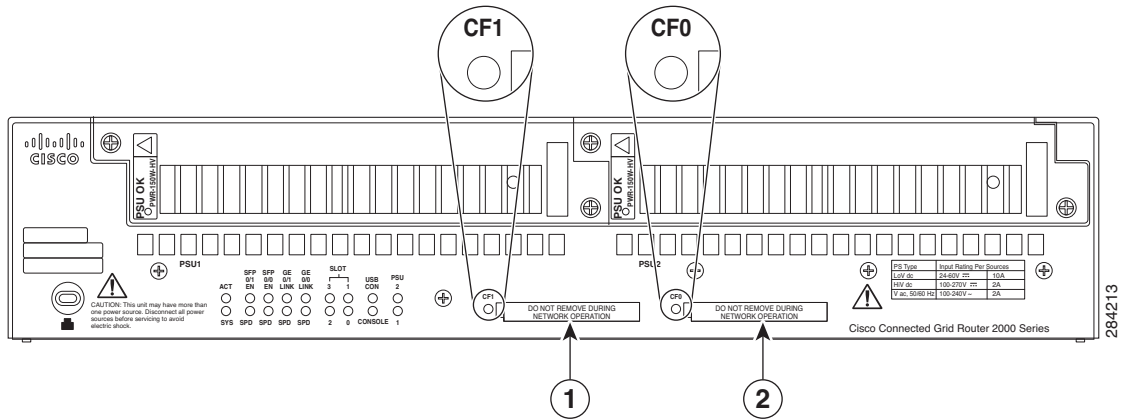
For more information on the Swap Drive feature, see:

[http://www.cisco.com/en/US/docs/routers/connectedgrid/cgr2010/software/15\\_2\\_2\\_t/cgr2010\\_15\\_2\\_2\\_t\\_swgc.html#wp2039791](http://www.cisco.com/en/US/docs/routers/connectedgrid/cgr2010/software/15_2_2_t/cgr2010_15_2_2_t_swgc.html#wp2039791)

The router supports a maximum of two compact flash memory cards. The router ships with one compact flash card installed in Slot CF0 and supports a second, optional flash card that you can order with the router or supply separately.

Figure 5 illustrates the location of the compact flash card slots on the router.

**Figure 5 Cisco Connected Grid 2010 Router—Compact Flash Memory Card Slot Locations**



Item	Label on Router	Description	Cisco IOS Interface Name
1	CF1	This slot supports an optional compact flash card that you can order with the router or supply separately. The Connected Grid Swap Drive feature is not supported on this slot.	<b>flash1:</b>
2	CF0	This is the required slot for use with the Connected Grid Swap Drive feature. The router comes with a compact flash card already installed in this slot.  The Connected Grid Swap Drive feature is supported on this CF slot only.	<b>flash</b> or <b>flash0:</b>

For additional information about the router compact flash memory support, refer to the router hardware installation guide at:

[http://www.cisco.com/en/US/products/ps10977/prod\\_installation\\_guides\\_list.html](http://www.cisco.com/en/US/products/ps10977/prod_installation_guides_list.html)



# Installation

---

This section describes how to install the switch module in Cisco CGR 2010 routers. The switch module occupies two of four slots on the I/O side of the router. This chapter includes the following topics:

- [Pre-Installation](#)
- [Installation](#)
- [Connecting to the Network](#)
- [Removing the Switch Module](#)

## Pre-Installation

Before installing the switch module, verify these guidelines are met:

- Clearance to the I/O-side view is such that the LEDs can be easily read
- Cabling is away from sources of electrical noise, such as radios, power lines, and fluorescent lighting fixtures. Make sure that the cabling is away from other devices that might damage the cables.
- Airflow around the switch module and through the vents is unrestricted
- Temperature around the unit does not exceed 140°F (60°C). If the switch module is installed in a closed or multitrack assembly, the temperature around it might be higher than normal room temperature.
- Relative humidity around the switch module does not exceed 95 percent (noncondensing)
- Altitude at the installation site is not higher than 10,000 feet
- For 10/100 and 10/100/1000 fixed ports, cable lengths from the switch module to connected devices are not longer than 328 feet (100 meters)

## Installation Warning Statements

This section includes the basic installation warning statements. Translations of these warning statements appear in the *Regulatory Compliance and Safety Information for the Cisco CGS 2520 Switches* and the *Regulatory Compliance and Safety Information for Cisco Connected Grid Router 2000 Series Routers* documents.

**Warning**

**This unit is intended for installation in restricted access areas. A restricted access area can be accessed only through the use of a special tool, lock and key, or other means of security.**

Statement 1017

**Warning**

**Only trained and qualified personnel should be allowed to install, replace, or service this equipment.**

Statement 1030

**Warning**

**To prevent the system from overheating, do not operate it in an area that exceeds the maximum recommended ambient temperature of:**

**140°F (60°C)** Statement 1047

**Warning**

**This equipment is supplied as “open type” equipment. It must be mounted within an enclosure that is suitably designed for those specific environmental conditions that will be present and appropriately designed to prevent personal injury resulting from accessibility to live parts. The interior of the enclosure must be accessible only by the use of a tool.**

**The enclosure must meet IP 54 or NEMA type 4 minimum enclosure rating standards.** Statement 1063

**Warning**

**This equipment is intended to be grounded to comply with emission and immunity requirements. Ensure that the switch functional ground lug is connected to earth ground during normal use.**

Statement 1064

**Warning**

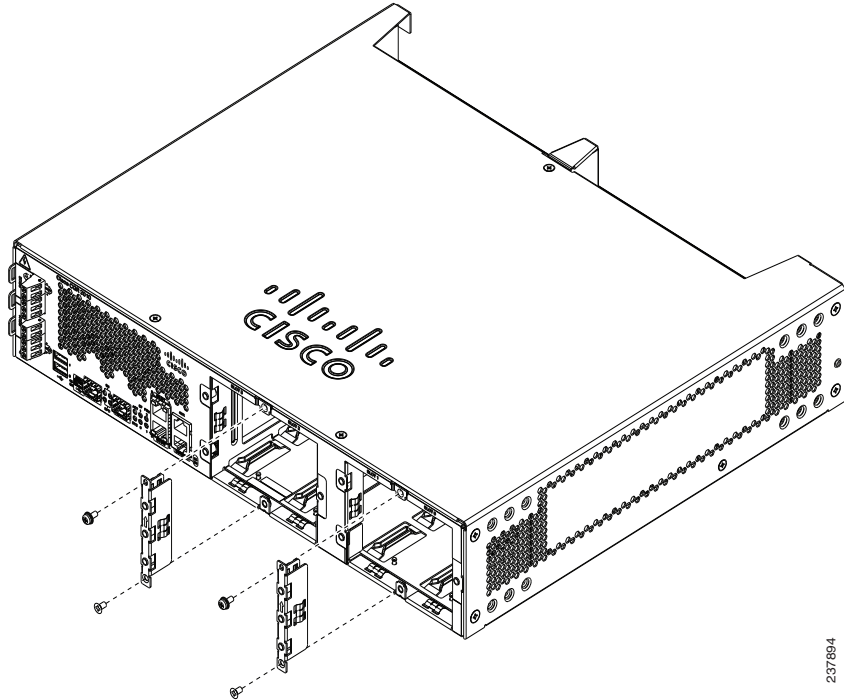
**To prevent airflow restriction, allow clearance around the ventilation openings to be at least: 1.75 in. (4.4 cm)** Statement 1076

## Installation

Follow these steps to install the switch module:

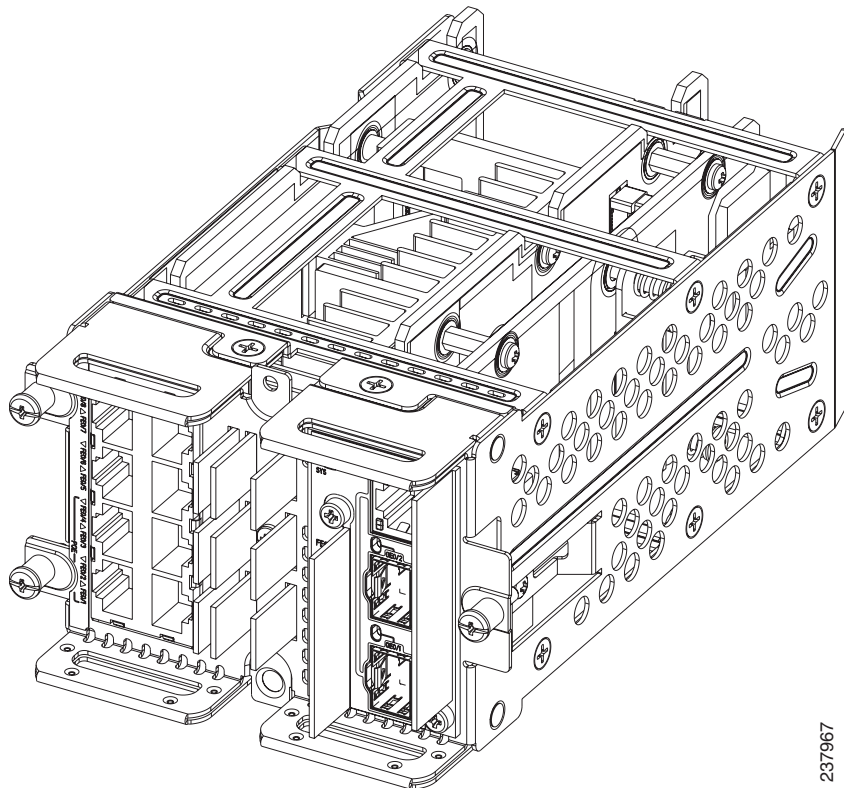
- 
- Step 1** Before you install (or remove) the switch module from the host CGR 2010 router, you must power down the router as described in the “Shutting Off Power” section in Chapter 3 of the *Cisco Connected Grid Router 2010 Hardware Installation Guide*.
- Step 2** Facing the I/O side of the Cisco CGR 2010 router, use a no. 2 Phillips screwdriver to remove the slot divider between the slots where you intend to install the switch module - either slots 0 and 1 or slots 2 and 3 (see [Figure 2-1](#)).
- a. Remove the two screws on the slot divider.
  - b. Remove the slot divider and set it aside.

**Figure 2-1** Removing the Slot Divider From the CGR 2010 Router



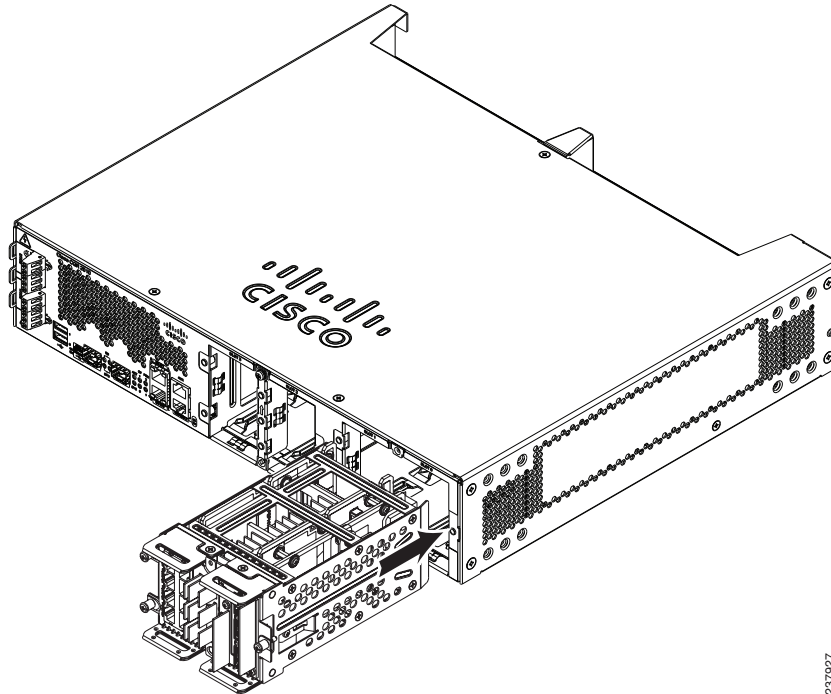
**Step 3** Stand the switch module on end to install it into the Cisco CGR 2010 router slot (see [Figure 2-2](#)).

**Figure 2-2** Positioning the Switch Module to Install in the Router



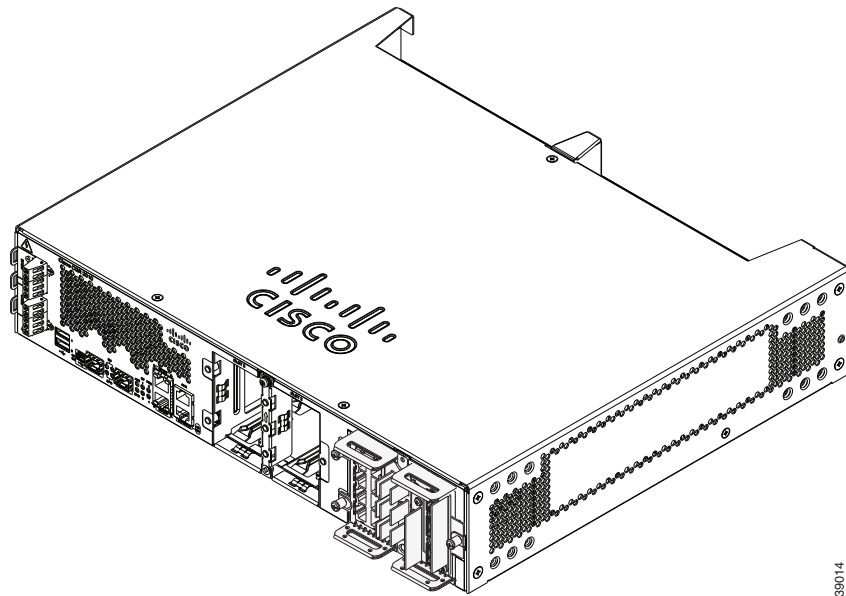
- Step 4** Grasp the handles and carefully slide the module into the card guide, then push with both hands until the module is flush against the router chassis (see [Figure 2-3](#)).

**Figure 2-3** *Installing the Switch Module in the CGR 2010 Router*



- Step 5** Tighten the screws:
- Tighten the lower flathead screw to the bottom center hole.
  - Tighten the second panhead screw to the top center hole.
- Step 6** Tighten the three captive screws on the front of the switch module:
- Tighten the captive screw on the lower left of the module.
  - Tighten the single captive screw on the right side of the module.
  - Finally, tighten the captive screw on the upper left of the module.
- The switch module is now successfully installed in the router (see [Figure 2-4](#)).

**Figure 2-4** Switch Module Installed in the CGR 2010 Router



39014

## Connecting to the Network

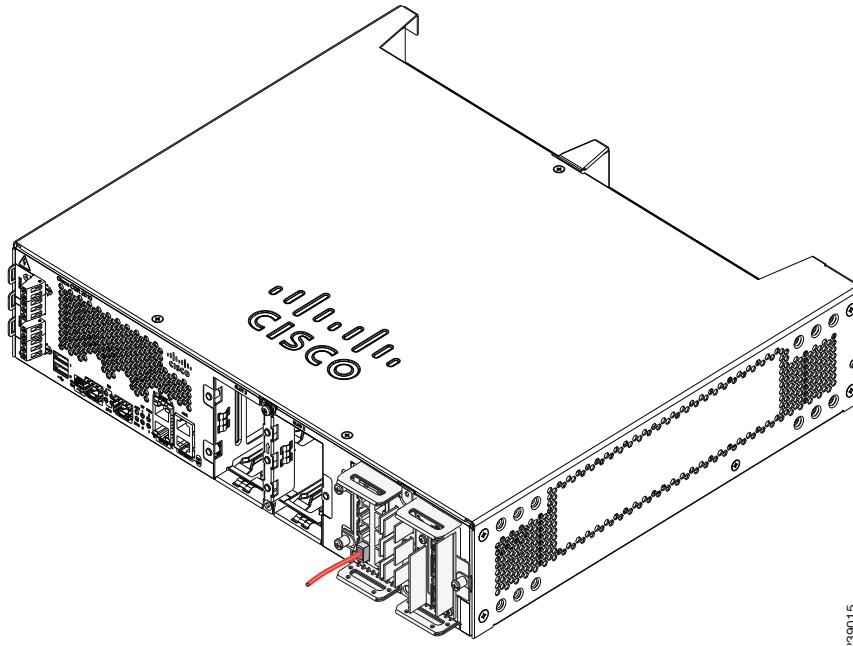
- [Connecting the Copper Switch Module, page 2-5](#)
- [Connecting the Fiber Switch Module, page 2-6](#)

### Connecting the Copper Switch Module

Follow these steps to connect the switch module's copper model (GRWIC-D-ES-2S-8PC) to the network:

- 
- Step 1** Connect one end of the cable to one of the Fast Ethernet ports on the switch module (see [Figure 2-5](#)).

**Figure 2-5** Connecting the Copper Model to the Network



139015

**Step 2** Connect the other end of the cable to the RJ-45 connector of the target device.

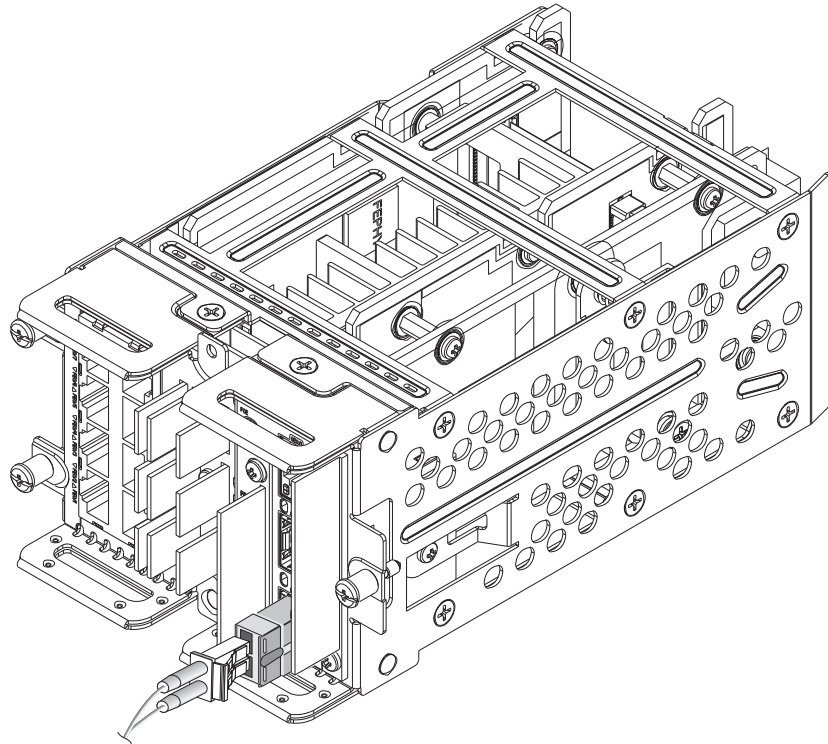
---

## Connecting the Fiber Switch Module

Follow these steps to connect the switch module's fiber model (GRWIC-D-ES-6S) to the network:

**Step 1** Connect one end of the cable to one of the six fiber ports on the fiber model Ethernet switch module (see [Figure 2-6](#)).

**Figure 2-6** Connecting the SFP Fiber Model to the Network



237942

**Step 2** Connect the other end of the cable to the standard LC-type optical connector on the target device.

## Removing the Switch Module



### Caution

The Cisco CGR 2010 router does not support removing modules when the chassis is powered on. Removing the switch module when the router is running can result in undesirable behavior, such as resetting the router or damage to the router.

Follow these steps to remove the switch module from the host router:

- Step 1** Power down the CGR 2010 router as described in “Shutting Off Power” in Chapter 3 of the *Cisco Connected Grid Router 2010 Hardware Installation Guide*.
- Step 2** Remove the three captive screws and the two screws at the top and bottom center of the module.
- Step 3** Grasp the handles firmly with both hands and carefully pull out the switch module.
- Step 4** Power up the router when ready to do so.





## Express Setup

---

You access the switch module via the host CGR 2010 router. For more information, see [Accessing the Switch Module, page 4-2](#).

To exchange and monitor control messages between the switch module and the router, a Router Blade Configuration Protocol (RBCP) stack operates concurrently on active IOS sessions running on both the host router and the switch module.

You should use Express Setup to enter the initial IP information. You can then access the switch module through the IP address for further configuration.

This chapter contains the following topics:

- [System Requirements](#)
- [Express Setup](#)
- [Troubleshooting Express Setup](#)
- [Resetting the Switch Module](#)



**Note**

---

To use the CLI-based initial setup program, see Appendix A, “*Creating an Initial Configuration with the CLI Setup Program*,” in the *Cisco Connected Grid Ethernet Switch Module Interface Card Software Configuration Guide*.

---

## System Requirements

You need the following software and cables to run Express Setup:

- PC with Windows 2000, XP, Vista, Windows Server 2003, or Windows 7
- Web browser (Internet Explorer 6.0, 7.0, or Firefox 1.5, 2.0, or later) with JavaScript enabled
- Straight-through or crossover Category 5 or Category 6 cable

## Express Setup

Follow these steps to start Express Setup:

- 
- Step 1** Disable any pop-up blockers or proxy settings on your web browser, and any wireless client running on your computer.

- Step 2** Verify that no device is connected to the switch module.
- Step 3** Temporarily configure your computer to use DHCP, if it has a static IP address. The switch module acts as a DHCP server.



**Tip** Write down the static IP address, as you need this address in a later step.

- Step 4** Power on the CGR 2010 router. Once the host router is powered up, the router automatically powers up the switch model.

For more information, see “Powering Up the Router” in Chapter 4, “Configuring the Router,” in the *Cisco Connected Grid Routers 2010 Hardware Installation Guide*.

Once the switch module powers on, it starts the Power-On Self-Test (POST), which can take up to two minutes.

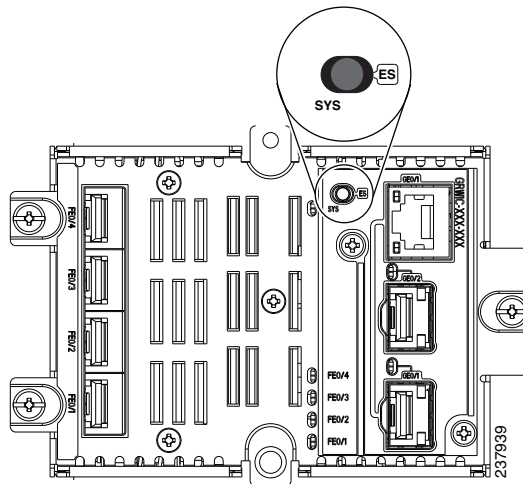
- During POST, the System LED blinks green and then port LEDs turn green
- When POST is complete, the System LED remains green and the other LEDs turn off



**Note** If the System LED blinks green, does not turn green or turns amber, the switch module failed POST. Contact your Cisco representative or reseller.

- Step 5** Press the recessed **Express Setup** button with a simple tool, such as a paper clip. You might need to press the button for 3 seconds. When you press the button, the switch module 10/100 Ethernet port LED blinks green.

**Figure 3-1 Recessed Express Setup Button**



**Note** If a switch module port LED does not blink green, repeat Steps 1 to 5. You can also use the CLI setup program described in Appendix A, “Creating an Initial Configuration with the CLI Setup Program,” in the *Cisco 2010 Connected Grid Ethernet Switch Module Interface Card Software Configuration Guide*.

**Step 6** Select one of the following:

- For the *Copper Model* (GRWIC-D-ES-2S-8PC), connect a Cat 5 or 6 cable to the blinking 10/100BASE-T port, and the plug the other end to the Ethernet port on your computer
- For the *SFP Fiber Model* (GRWIC-D-ES-6S), connect a Category 5 or Category 6 cable to the 100/1000BASE-T port of the dual-purpose port (GE0/1), and then plug the other end to the Ethernet plug on your computer

Wait until the port LEDs on the switch module and your computer are either green or blinking green (indicates successful connection).



**Tip**

If the port LEDs are not green after 30 seconds, verify you are using Cat 5 or 6 cable and that the cable is not damaged. Make sure the other devices are turned on. You can also verify the connection by pinging IP address 169.250.0.1.

Follow these steps to configure the switch module:

**Step 1** Open a web browser and enter the switch module IP address.

**Step 2** Enter *cisco* as the default username and password.

**Figure 3-2** Express Setup Window



**Tip**

If you cannot access Express Setup, verify that all pop-up blockers or proxy settings are disabled, and that any wireless client on your computer are disabled.

**Step 3** Enter the Network Settings values:

Field	Description
Management Interface (VLAN ID)	Use the default setting of <b>1</b> . <b>Note</b> Enter a new VLAN ID only if you want to change the management interface for the switch module. The VLAN ID range is 1 to 1001.
IP Assignment Mode	Use the default setting of <b>Static</b> , which means that the switch module keeps the IP address. <b>Note</b> Use the DHCP setting when you want the switch module to automatically obtain an IP address from the DHCP server.
IP Address	Enter the IP address of the switch module
Subnet Mask	Select a subnet mask from the drop-down
Default Gateway	Enter the IP address for the default gateway (router)
Switch Password	Enter your password. The password can be from 1 to 25 alphanumeric characters, can start with a number, is case sensitive, allows embedded spaces, but does not allow spaces at the beginning or end.
Confirm Switch Password	Enter your password again <b>Note</b> You must change the password from the default password <i>cisco</i> .

**Step 4** Enter the Optional Settings now, or enter them later using the Device Manager interface.

You can enter other administrative settings in the Express Setup window. For example, the optional administrative settings identify and synchronize the switch module for enhanced management. NTP synchronizes the switch module with the network clock. You can also manually set the system clock settings.

**Step 5** Click **Submit** to save your changes.

The switch module is now configured and exits Express Setup. The browser displays a warning message and attempts to connect with the earlier switch module IP address. Typically, connectivity between the computer and the switch module is lost because the configured switch module IP address is in a different subnet for the computer IP address.

**Step 6** Disconnect the switch module from the computer, and install the switch module in your network (see [Installation, page 2-2](#)).

**Step 7** If you have not changed your IP address, skip this step.

If you changed your IP address in the previous set of steps, change it to the previously configured IP address (see [Step 3](#)).

**Step 8** Display the Device Manager:

- a. Open a web browser and enter the switch module IP address.
- b. Enter the username and password and then click **Enter**.

For more information on configuring and managing the switch module, see [Accessing the Switch Module, page 4-2](#).



**Note**

If the Device Manager does not display, check the following:

- Confirm that the LED for the switch module port connected to your network is green

- Confirm that the computer that you are using to access the switch module has network connectivity by connecting to a web server in your network. If there is no network connection, troubleshoot the network settings on your computer.
- Verify that the switch module IP address in the browser is correct. If it is correct, the port LED is green and the computer has network connectivity. Continue troubleshooting by disconnecting and then reconnecting the switch module to your computer. Configure a static IP address on the computer that is in the same subnet as the switch module IP address.

When the LED on the switch module port that connects to the computer is green, open a web browser and enter the switch module IP address to display the Device Manager. When the Device Manager displays, you can continue with configuration.

## Troubleshooting Express Setup

If you are still have problems running Express Setup, perform the checks in [Table 3-1](#).

**Table 3-1** Troubleshooting Express Setup

Problem	Resolution
POST did not complete before you started Express Setup	Verify that only the System and Port LEDs are green before you press the Express Setup button.  <b>Note</b> POST errors are usually fatal. Contact your Cisco technical support representative if your switch module fails POST.
Express Setup button was pressed before POST finished	Wait until POST completes, and then restart the switch module. Wait until POST completes again, and then confirm that the System and Port LEDs are green. Press the <b>Express Setup</b> button.
Computer has a static IP address	Change the settings on your computer to temporarily use DHCP
Ethernet is connected to the console port	Disconnect the cable from the Console port on the switch module. Connect the cable to a blinking 10/100 Ethernet port on the switch module. Wait 30 seconds, and then open a web browser.  <b>Note</b> The Console port is outlined in blue, and the Ethernet ports are outlined in yellow.
Cannot open a web browser to start Express Setup	Wait 30 seconds before opening a web browser on the computer

## Resetting the Switch Module



### Caution

Resetting the switch module deletes the configuration and restarts the switch module with default settings.

### Step 1

Press and hold the **Express Setup** button for about 10 seconds. The switch module reboots. The system LED turns green after the switch module completes rebooting.

- Step 2** Press the **Express Setup** button again for three seconds. The switch module 10/100 Ethernet port LED blinks green.
- Step 3** Follow the steps in [Express Setup, page 3-1](#).
-



## Managing the Switch Module

---

After completing Express Setup and installing the switch module in your network, you can use these options for further configuration:

- [Using the Device Manager](#)
- [Cisco Configuration Professional](#)
- [Other Management Options](#)
- [Accessing the Switch Module, page 4-2](#)
- [Connecting Devices to the Switch Module, page 4-4](#)

### Using the Device Manager

The simplest way to manage the switch module is with the Device Manager in the switch module memory. This web interface offers quick configuration. You can access the device manager from anywhere in your network through a web browser.

Follow these steps to use the Device Manager:

- 
- Step 1** Open a web browser, enter the switch module IP address, and then press **Enter**.
  - Step 2** Use the Device Manager for basic switch module configuration. See the Device Manager online help for more information.
- 

### Cisco Configuration Professional

Cisco Configuration Professional (CCP) is a software program that you can download from Cisco.com and run on your PC. It offers advanced options for configuring and monitoring multiple devices, including the switch module. Configuration Professional is free—there is no charge to download, install, or use it.

Follow these steps to use CCP:

- 
- Step 1** Go to this URL: <http://www.cisco.com/en/US/products/ps9422/index.html>




---

**Note** You must be a registered Cisco.com user, but you need no other access privileges.

---

**Step 2** Click **Download Software**.

**Step 3** Select the latest release of the Configuration Professional installer, and click **Download**.




---

**Note** Cisco Configuration Professional 2.5 or later is supported on the switch module.

---

**Step 4** Run the Configuration Professional installer, and follow the directions.

**Step 5** Click **Finish** to complete the installation.

See the Configuration Professional Getting Started Guide and online help for more information.

---

## Other Management Options

You can use SNMP management applications such as CiscoWorks LAN Management Solution (LMS) and Cisco netManager to configure and manage the switch module. You also can manage the switch module from an SNMP-compatible workstation that is running platforms such as Cisco netManager or SunNet Manager.

The Cisco Configuration Engine is a network management device that works with embedded Cisco Networking Services (CNS) agents in the switch software. You can use it to automate initial configurations and configuration updates on the switch.

## Accessing the Switch Module




---

**Note** The Cisco CGR 2010 router must be running Cisco IOS Release 15.1(4)M or higher to run the switch module.

---

After the Ethernet switch module is installed on the router, you see a new Gigabit Ethernet interface *0/x/0* (where *x* is the slot number) recognized by the Cisco IOS. The output shown in [Table 6](#) is taken after two Ethernet switch modules are installed on the router:

```
Router1#show ip interface brief
```

**Table 4-1** Output for Gigabit Ethernet Interface Recognized on the Ethernet Switch Module

Interface	IP Address	OK?	Method	Status	Protocol
GigabitEthernet0/0	60.60.60.1	YES	NVRAM	down	down
GigabitEthernet0/1	80.80.80.1	YES	manual	up	up
GigabitEthernet0/0/0	100.0.0.1	YES	manual	up	up
GigabitEthernet0/2/0	200.0.0.1	YES	NVRAM	up	up

The **service-module gigabitEthernet 0/x/0 session** command is the privileged EXEC mode command used to console into the Ethernet switch module from the host router.

You need to console into the switch module in order to configure it. In order to console into the switch module, you must configure an IP address on the internal backplane Gigabit Ethernet interface, that is, GE0/0/0 or GE0/2/0, connected to the switch module. If you try to console into the switch module without assigning an IP address, you receive the following error message:

```
Router1#service-module gigabitEthernet 0/2/0 session
IP address needs to be configured on interface GigabitEthernet0/2/0
```

To access the switch module from the host router:

	Command	Purpose
Step 1	Router> <b>enable</b>	Log into the Cisco CGR 2010 router in privileged EXEC mode. Enter your password if prompted.
Step 2	Router# <b>show running interface gigabitethernet0/&lt;slot&gt;/0</b>	Displays the running interface of the router, which should have a Gigabit Ethernet interface representing the switch module.
Step 3	Router# <b>configure terminal</b>	Enters global configuration mode.
Step 4	Router(config)# <b>interface gigabitethernet 0/&lt;slot&gt;/0</b>	Enters interface configuration mode, and specifies the Gigabit interface used to access the switch module.
Step 5	Router(config-if)# <b>ip address 20.0.0.1 255.255.255.0</b>	Configures the IP address and subnet mask for the interface.
Step 6	Router(config-if)# <b>no shutdown</b>	Enables the switch module port.
Step 7	Router(config-if)# <b>end</b>	Returns to privileged EXEC mode.
Step 8	Router# <b>service-module &lt;interface&gt;&lt;slot/subslot/port&gt; session</b>  <b>Example:</b> Router> <b>service-module gigabitethernet0/&lt;slot&gt;/0 session</b>	Establishes a session from the router over the internal backplane Gigabit Ethernet interface to the switch module.
Step 9	Switch#	After you execute the <b>service-module &lt;interface&gt; session</b> command, the switch module prompt appears and you have full access to the switch module.

## Disconnecting from the Switch Module

To disconnect from the switch module and return to the host Cisco CGR 2010 router:

	Command	Purpose
Step 1	Switch> <b>enable</b>	Enters privileged EXEC mode on the switch module.
Step 2	Switch# <b>show ip interface brief</b>	Displays the brief version of the switch module configuration information.

	Command	Purpose
Step 3	Switch# <code>&lt;Ctrl+Shift+6&gt; x</code>	Press <code>&lt;Ctrl+Shift+6&gt;</code> , then press <code>x</code> .  This sequence returns you to the router console while keeping the console session to the switch module intact and then exits the console session to the switch module.
Step 4	Router# <code>disconnect</code>	Terminates the console session to the switch module.
Step 5	Router# <code>&lt;Enter&gt;</code>	Press <b>Enter</b> to confirm the disconnect.
Step 6	Router# <code>service-module gigabitethernet 0/0/0 status</code>	Displays the status of all the vital components of the switch module. For example output, see the “Service-Module Command Syntax” section in Chapter 3, “Accessing the Switch Module From the Host Router” in the <i>Cisco 2010 Connected Grid Ethernet Switch Module Interface Card Software Configuration Guide</i> .

## Connecting Devices to the Switch Module

This section describes how to connect various devices to the switch module ports.



**Tip**

If you cannot reach the bale-clasp handle with your fingers when removing RJ-45 or SFP cables from the switch module, use the straight tool provided to gently release the bale-clasp handle.

- [10/100BASE-T Ports, page 4-4](#)
- [SFP Module Slots, page 4-5](#)
- [Dual-Purpose Port with RJ-45 and SFP Connectors, page 4-7](#)
- [Dual-Purpose Port with RJ-45 and SFP Connectors, page 4-7](#)

## 10/100BASE-T Ports

Follow these steps to connect to the 10/100BASE-T ports:

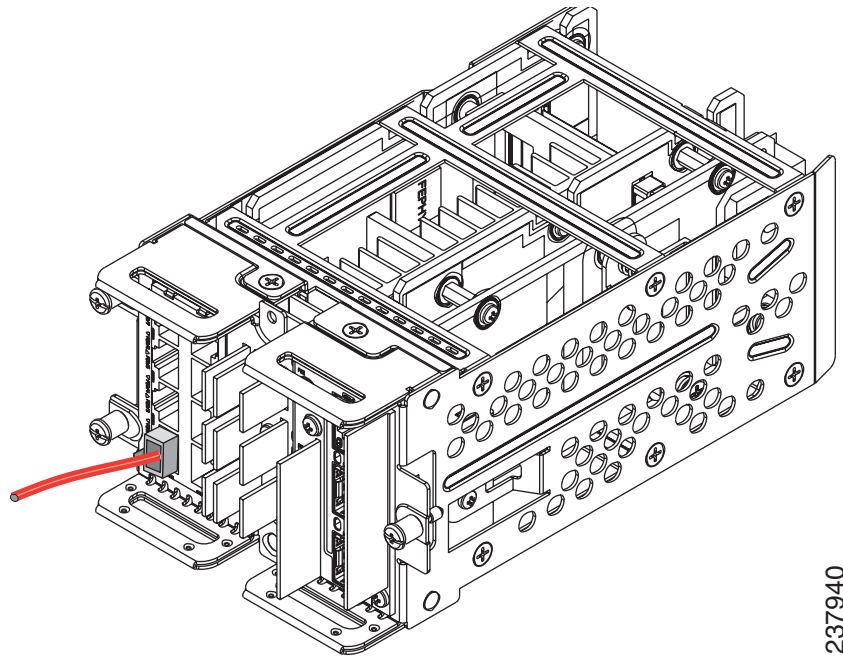
- Step 1** When you connect to servers, workstations, IP phones, wireless access points, and routers, use a straight-through, twisted four-pair, Category 5 cable to connect to the 10/100BASE-T RJ-45 connector. Use a crossover, twisted four-pair, Category 5 cable when you connect to other switches, hubs, or repeaters.



**Note**

The first four 10/100BASE-T ports on the GRWIC-D-ES-2S-8PC switch module have PoE+ capability. See the *Cisco Connected Grid Ethernet Switch Module Interface Card Software Configuration Guide* for more information.

Figure 4-1 RJ-45 Ports



**Step 2** Connect the cable to the RJ-45 port on the other device.



**Note** The automatic medium-dependent interface crossover (auto-MDIX) feature is enabled by default. The switch detects the required cable type for copper Ethernet connections and configures the interfaces. You can use either a crossover or a straight-through cable for connections to a 10/100/1000 RJ-45 port on the switch module, regardless of the type of connected device.

## SFP Module Slots

The switch module provides two 100/1000 Mb/s or Gigabit Ethernet SFP module slots ports: one standard Gigabit SFP module slot in the center (labeled *GE0/2*) and one SFP module slot for the dual-purpose port on the bottom (labeled *GE0/1*).

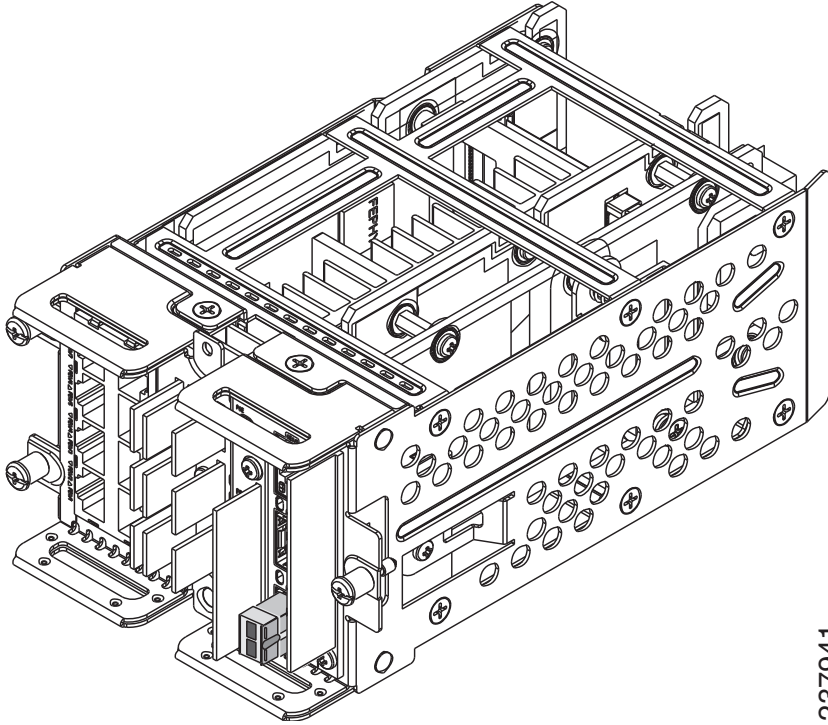
To connect to an SFP module slot:

**Step 1** Grasp the SFP module on the sides, and insert it into the SFP module slot port until you feel the connector snap into place.



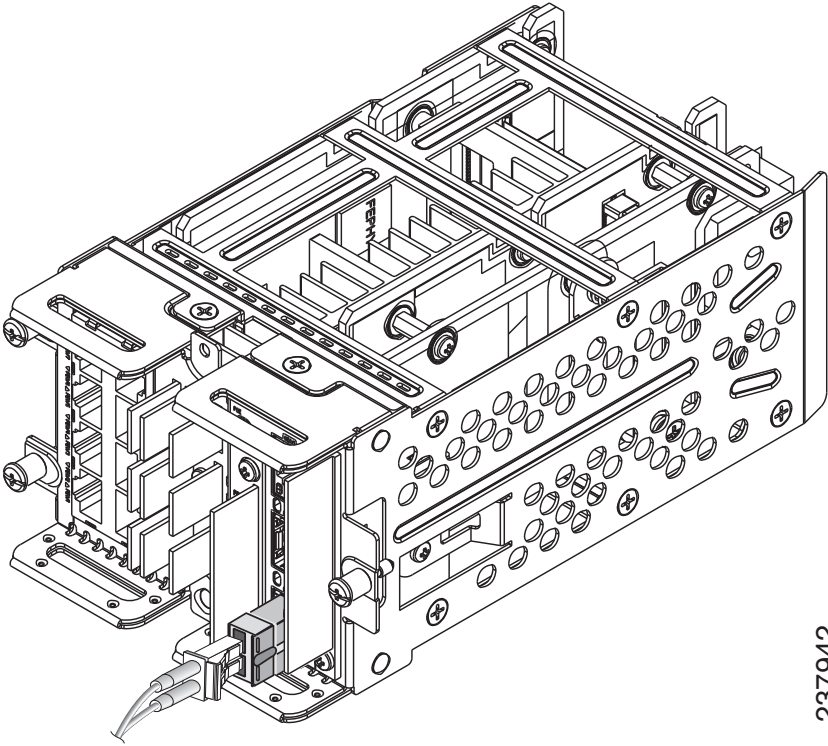
**Caution** Make sure that SFP module is right side up before attempting to insert the SFP module into the slot.

Figure 4-2 SFP Module Ports



Step 2 Connect the SFP cable into the SFP module slot, and insert the other cable end into the other device.

Figure 4-3 Connecting the Cable into the SFP Port



For detailed instructions on installing, removing, and connecting to SFP modules, see the SFP module documentation.

## Dual-Purpose Port with RJ-45 and SFP Connectors

The Gigabit Ethernet port GE0/1 on the switch module consists of a pair of one RJ-45 connector (topmost port) and one SFP module connector (bottom port).

This dual-purpose port is considered as a single interface. The two connectors are not redundant interfaces—the switch module activates only one connector of the pair at a time.

If the dual-purpose port is configured as media-type RJ-45, the speed of the connection can be manually set to either 10, 100 or 1000 Mb/s (10/100/1000BASE-T specifications). The default speed setting is always enabled to AUTONEGOTIATION. It will automatically negotiate to whatever speed is set on the other end of the connection.

If the dual-purpose port is configured as media-type SFP, the speed is dependent on the module type you are using, either a 100FX or a 1000BASE-X SFP module. The port will automatically detect the module, and the speed is set based on the media type. The other end of the connection will have to be of the same media type in order to establish the link.

**Note**

---

Even when operating at 100 Mb/s, the dual-purpose ports (and the SFP-only module slots) use the frame size that is set with the **system mtu jumbo** global configuration command.

---

By default, the dual-purpose ports and the SFP-only module slots are network node interfaces (NNIs).

By default, the switch module dynamically selects the dual-purpose port media type that first links up. However, you can use the **media-type** interface configuration command to manually select the RJ-45 connector or the SFP module slot.

**Note**

---

In **auto-select** mode, if both copper and fiber-optic signals are simultaneously detected, the switch module gives preference to SFP mode.

---

For configuration information, see “Configuring a Dual-Purpose Port” in Chapter 8, “Configuring Interfaces,” in the *Cisco 2010 Connected Grid Ethernet Switch Module Interface Card Software Configuration Guide*.

The following illustration shows an Ethernet cable connected to the RJ-45 connector of the dual-purpose port (GE0/1). It also shows an SFP cable connected to the standard SFP module slot (GE0/2).

Figure 4-4 Ethernet Cable Connected to the RJ-45 Connector

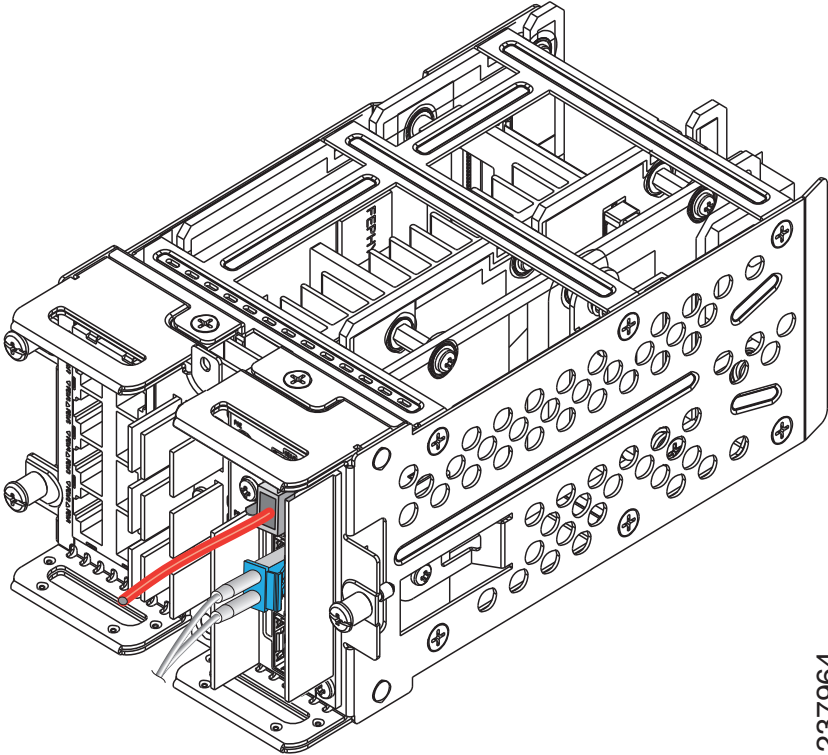
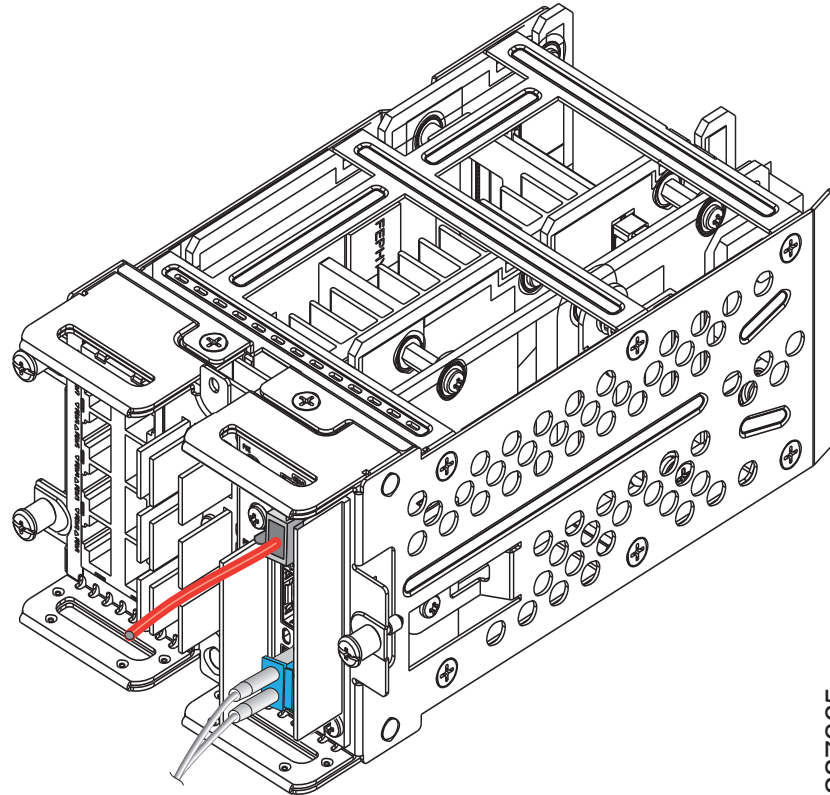


Figure 4-5 shows both connectors of the dual-purpose port being used. In this case, with both an RJ-45 cable and an SFP module cable in their respective GE0/1 ports, the switch module will provide reference to the SFP module slot.

**Figure 4-5** Dual-Purpose Connectors



## Verifying Port Connectivity

After you connect the switch module port and another device, the port LED turns amber while the switch module establishes a link. This process takes about 30 seconds, and then the LED turns green. If the LED turns off, the target device might not be turned on, there might be a cable problem, or there might be a problem with the adapter in the target device.

