



Installing and Upgrading Router Memory

This chapter describes how to install or upgrade memory in your Cisco 1700 router and includes the following sections:

- [Opening the Chassis](#)
- [Locating Memory](#)
- [Installing a Mini-Flash Module](#)
- [Installing a DIMM](#)
- [Closing the Chassis](#)



Warning

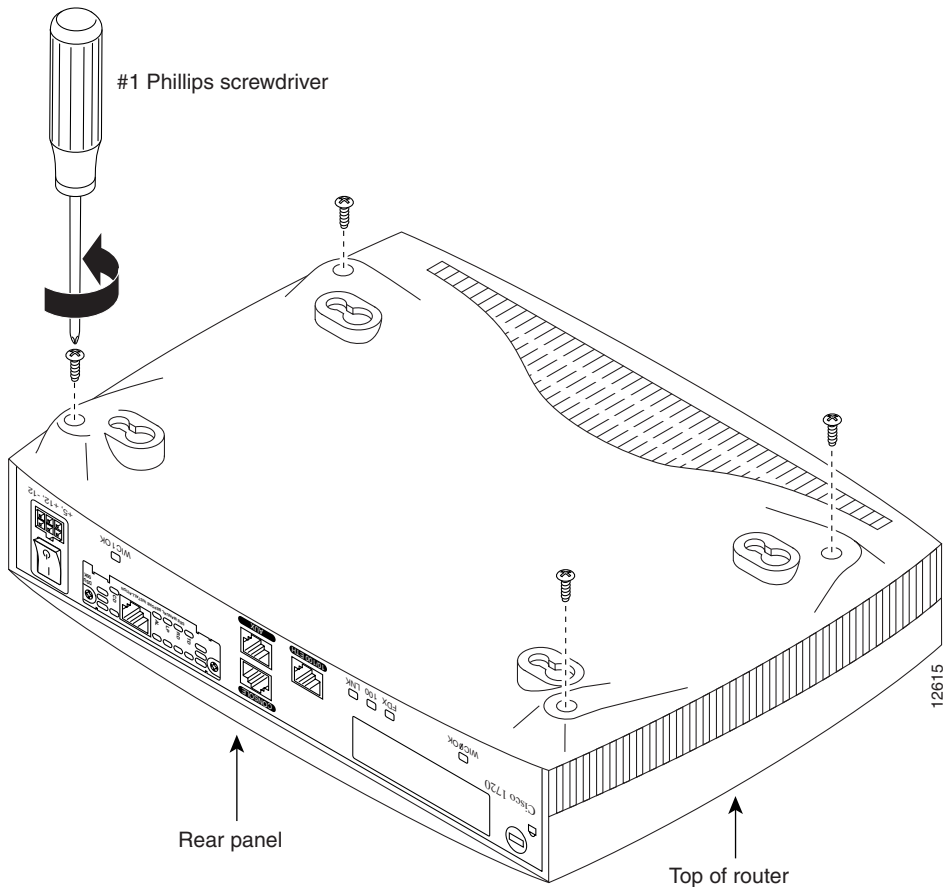
During this procedure, wear grounding wrist straps to avoid ESD damage to the router. Do not directly touch the backplane with your hand or any metal tool, or you could shock yourself.

Opening the Chassis

In order to upgrade Cisco 1700 router memory, you must open the chassis. Opening the chassis requires a number one Phillips screwdriver.

Follow these steps to open the chassis:

- Step 1** Make sure the router is turned OFF and is disconnected from the power supply.
- Step 2** Turn the router upside down, and rest the top of the router on a flat surface.
- Step 3** Use the Phillips screwdriver to remove the four screws that hold the top and bottom of the chassis together, as shown in [Figure C-1](#).
- Step 4** Turn the router back to its original position (right-side up).

Figure C-1 Removing the Chassis Screws

Step 5 Gently pull the top of the router (which is facing up toward you) up and away from the bottom of the router (which is resting on the flat surface).

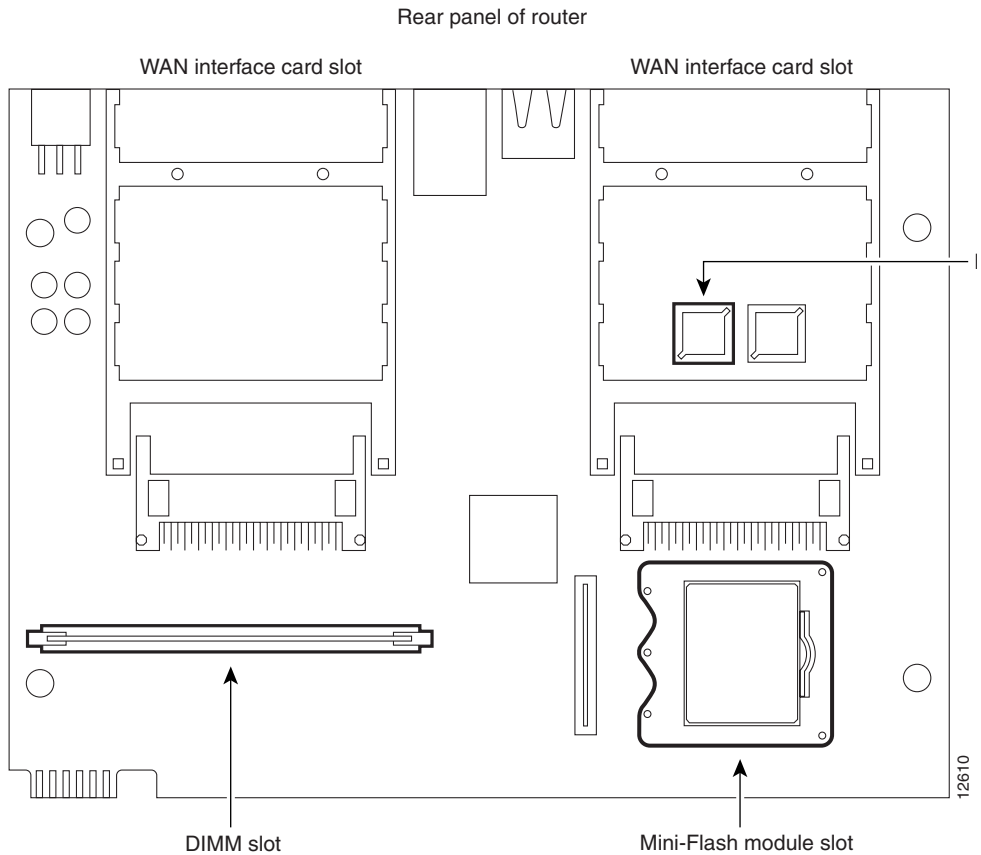
At this point, you might have to disconnect the fan, which is inside the top of the router chassis, from the motherboard. Do this by disconnecting the fan cable from the connector (labeled FAN) on the motherboard.

Step 6 Place the router bottom on an anti-static mat and begin installing memory.

Locating Memory

Figure C-2 shows where to install DIMMs and mini-Flash modules on the router motherboard.

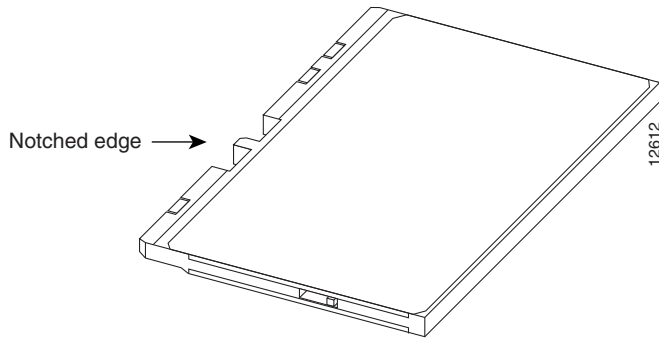
Figure C-2 Cisco 1700 Motherboard—Memory Locations



Installing a Mini-Flash Module

You can install a mini-Flash module (shown in [Figure C-3](#)) to increase the amount of Flash memory in the router.

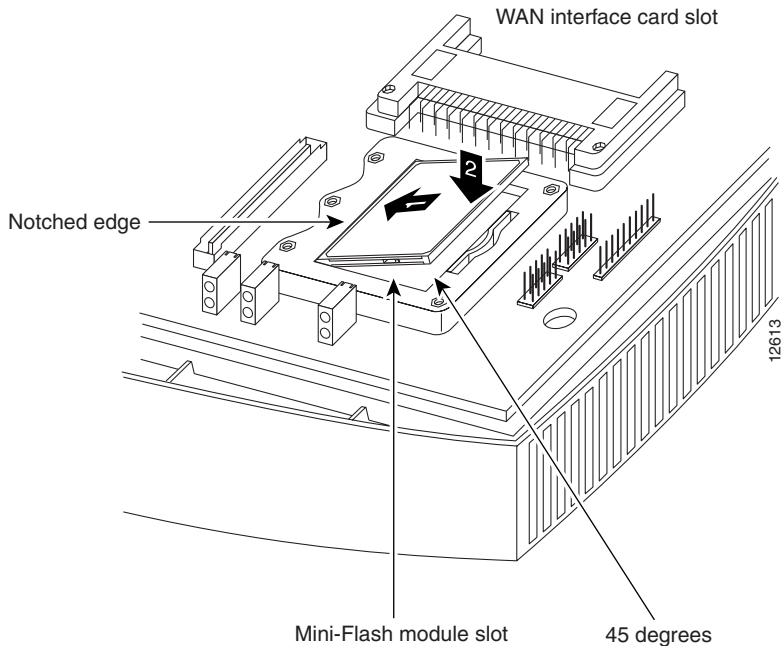
Figure C-3 Mini-Flash Module



Take the following steps to install a mini-Flash module on the motherboard:

- Step 1** Locate the module slot on the motherboard, shown in [Figure C-2](#).
- Step 2** Hold the module with the notched edge away from you.
- Step 3** Insert the module into the module slot at a 45-degree angle, as shown in [Figure C-4](#).
- Step 4** Press down firmly on the module until you hear a clicking sound and the module is firmly inserted in the slot.

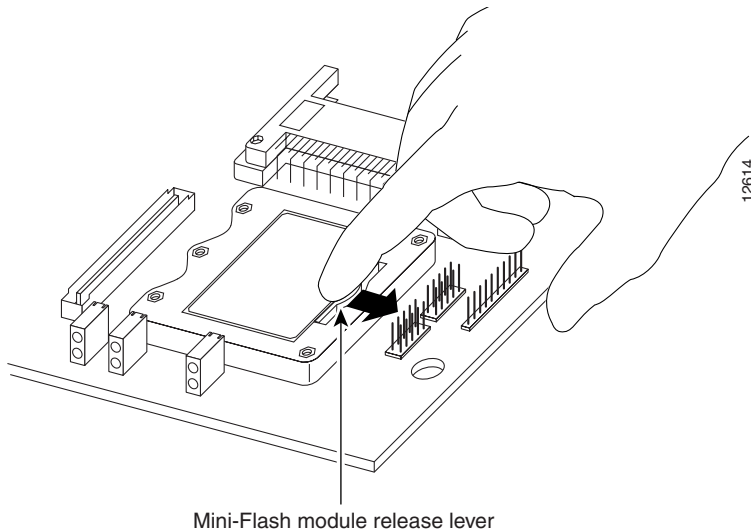
Figure C-4 Installing a Mini-Flash Module



Removing a Mini-Flash Module

Take the following steps to remove a mini-Flash module:

- Step 1** Insert your index finger between the mini-Flash module and the mini-Flash module release lever, as shown in [Figure C-5](#).
- Step 2** Firmly pull the release lever away from the module until the module pops up and away from the module slot.

Figure C-5 Removing a Mini-Flash Module

Installing a DIMM

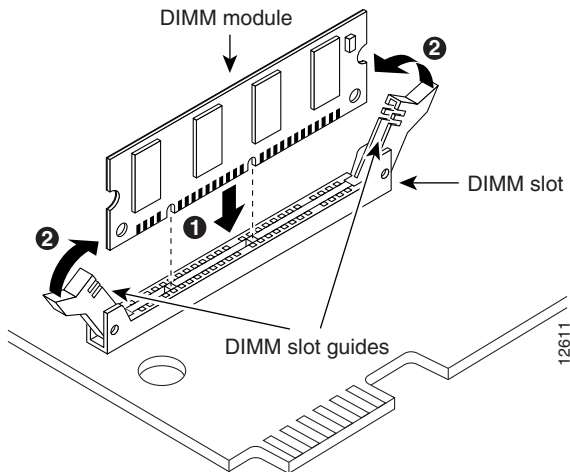
You can install a dual inline memory module (DIMM) to increase the amount of dynamic random-access memory (DRAM) in the router.

Take the following steps to install a DIMM on the router motherboard.

- Step 1** Locate the DIMM slot on the motherboard, shown in [Figure C-2](#).
- Step 2** Remove any existing DIMM by pulling the DIMM slot guides (shown in [Figure C-6](#)) away from the DIMM and down towards the motherboard.
- Step 3** Hold the replacement DIMM with the notched edge away from you and facing the router.
- Step 4** Insert the DIMM into the DIMM slot, making sure that the notches on the edge of the DIMM are inserted over the bars inside the DIMM slot, as in [Figure C-6](#).

- Step 5** Firmly press the DIMM into the slot until the two DIMM slot guides on each side of the slot move up and over the end of the DIMM, as in [Figure C-6](#). If the guides do not move up over the edge of the DIMM, move them with your hands.

Figure C-6 Installing a DIMM



Closing the Chassis

After installing memory on the motherboard, close the chassis by following these steps:

- Step 1** If you disconnected the fan from the motherboard as described in the “[Opening the Chassis](#)” section, reconnect the fan cable to the connector labeled FAN on the motherboard.
- Step 2** Locate the posts that protrude from the inside of the chassis cover and corresponding openings on the chassis bottom.

- Step 3** Line up the posts with the corresponding openings, as shown in [Figure C-7](#), and carefully slide the posts into the openings, taking caution not to damage the router motherboard with the posts.
- Step 4** Replace the screws that you removed when opening the chassis. (See [Figure C-1](#).)

Figure C-7 Closing the Chassis

