



Installing the End Cover on the Cisco ONS 15454 High-Density Four-Shelf and Zero-Shelf Bay Assembly

This guide describes how to unpack and install the Bay Assembly End Plate Cover Kit for the ONS 15454 four-shelf and zero-shelf bay assembly.

This guide includes the following sections:

- [Safety Recommendations](#)
- [Included Material](#)
- [Recommended Material](#)
- [Unpacking Instructions](#)
- [Installation Instructions](#)

Obtaining Optical Networking Information

This section contains information that is specific to optical networking products. For information that pertains to all of Cisco, refer to the [Obtaining Documentation, Obtaining Support, and Security Guidelines](#) section.

Where to Find Safety and Warning Information

For safety and warning information, refer to the *Cisco Optical Transport Products Safety and Compliance Information* document that accompanied the product. This publication describes the international agency compliance and safety information for the Cisco ONS 15454 system. It also includes translations of the safety warnings that appear in the ONS 15454 system documentation.



Cisco Optical Networking Product Documentation CD-ROM

Optical networking-related documentation, including Cisco ONS 15xxx product documentation, is available in a CD-ROM package that ships with your product. The Optical Networking Product Documentation CD-ROM is updated periodically and may be more current than printed documentation.

Obtaining Documentation, Obtaining Support, and Security Guidelines

For information on obtaining documentation, obtaining support, providing documentation feedback, security guidelines, and also recommended aliases and general Cisco documents, see the monthly *What's New in Cisco Product Documentation*, which also lists all new and revised Cisco technical documentation, at:

<http://www.cisco.com/en/US/docs/general/whatsnew/whatsnew.html>

Cisco ONS 15454 Bay Assembly End Cover Kit

The ONS 15454 Bay Assembly End Plate Cover Kit provides a basic end plate for temporary cable protection. It contains parts that mount flush against the rack with no major footprint change (thickness of the metal only) against the edge of the rack to protect the cables. This plate is usually used for an aisle that is not complete, or as an aisle guard for aisles.

The end cover can be mounted directly as shown in [Figure 1 on page 3](#) or can be mounted with the 5-inch (12.7-cm) extender as shown in [Figure 2 on page 4](#).

Figure 1 End Cover Mounted Directly

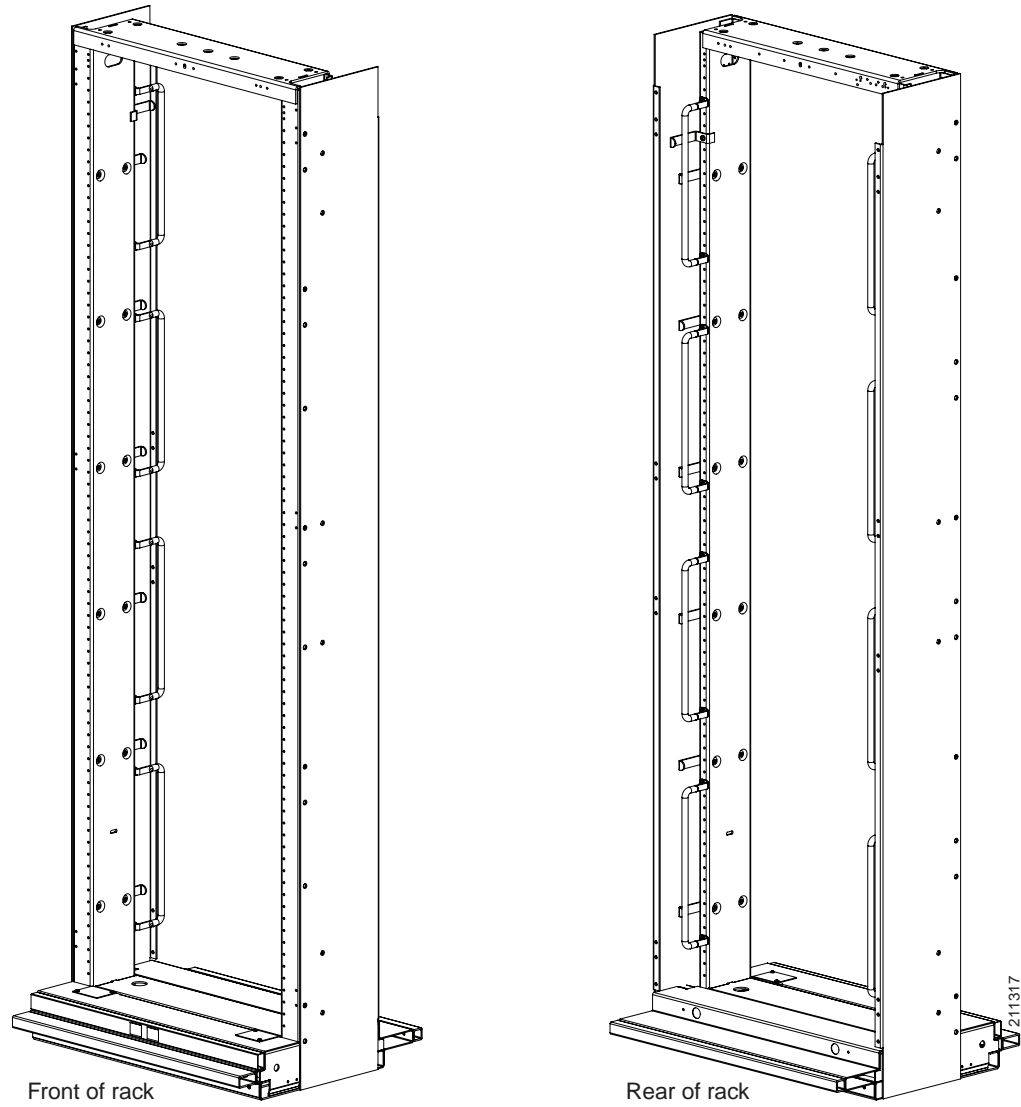
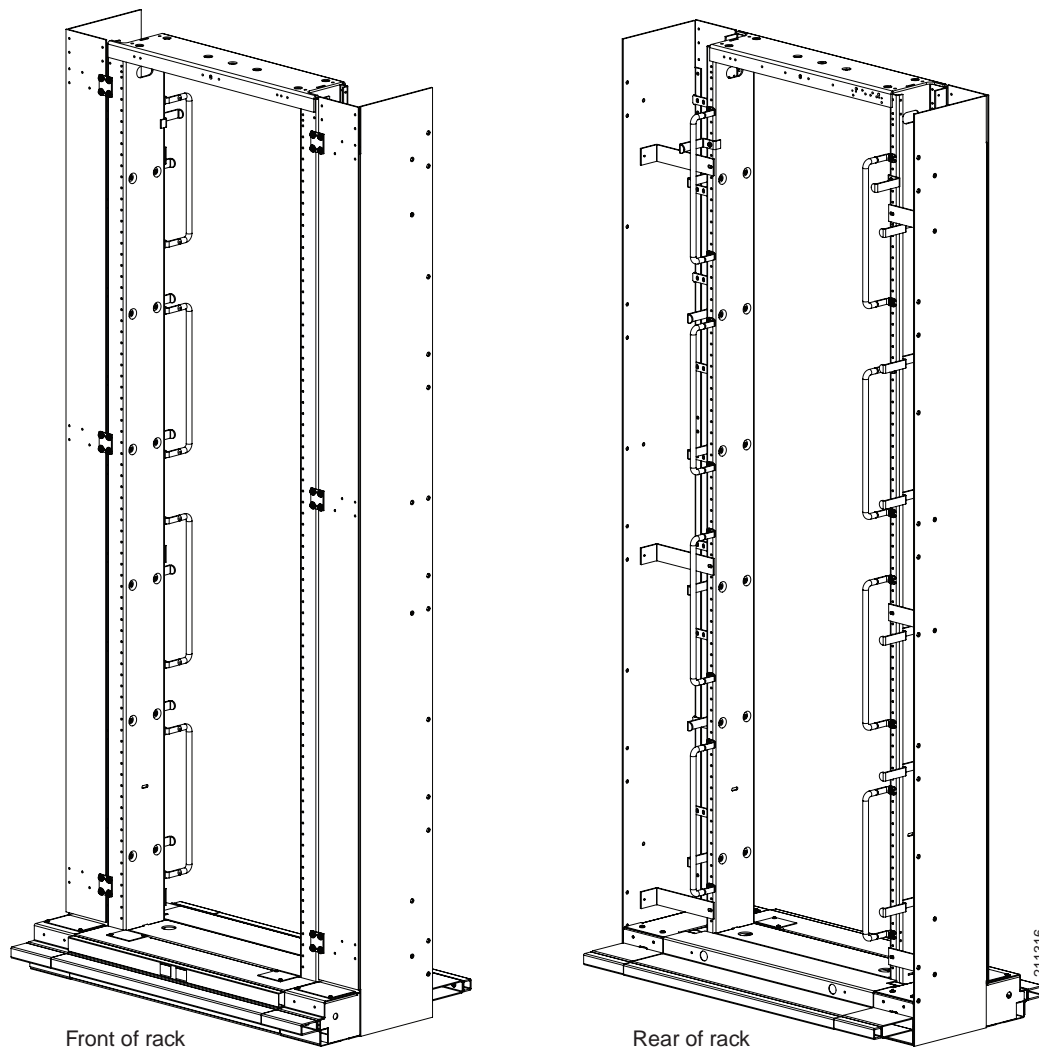


Figure 2 *End Cover Mounted with an Extender*



Safety Recommendations

The following guidelines will help to ensure your safety and protect the equipment. This list does not include every potentially hazardous situation.

- Never attempt to lift an object that might be too heavy for you to lift by yourself.
- Always disconnect the power source and unplug all power cables before installing or removing the bay assembly.
- Carefully examine your work area for possible hazards such as moist floors, ungrounded power extension cables, and missing power grounds.
- When using equipment such as a forklift or pallet jack to move the bay assembly to another location, use only moving equipment that is capable of preventing the bay assembly from tipping.
- Do not wear loose clothing, jewelry (including rings and chains), or other items that could get caught in the bay assembly.
- Do not work alone if potentially hazardous conditions exist.

Included Material

The end cover kit ships with the following materials:

- Three large L-shaped brackets
- Phillips head metal screws
- This installation document

Recommended Material

The end cover requires little installation material. The most significant tasks are unpacking the end cover from the shipping container. Because the actual installation of the end cover in each facility is done according to local site practice, your material needs may vary.

Cisco recommends that you have the following items on hand for installation:

- A forklift or pallet jack to move the packaged end cover to the unpacking/staging area
- A pair of scissors to cut the tape on the shipping container
- Utility blankets or their equivalent to protect the end cover while on the forklift or pallet jack
- Phillips screw driver or cordless drill with Phillips bit

Unpacking Instructions

The end cover assembly ships in a corrugated cardboard shipping container secured by tape and four plastic corro-clips.

-
- | | |
|---------------|--|
| Step 1 | Use a forklift or pallet jack to place the shipping container as close to the installation location as possible. |
| Step 2 | Cut the tape from the shipping container and remove the four plastic corro-clips (two per side). |
| Step 3 | Remove the top cover of the shipping container. |
| Step 4 | Lift the end cover completely out of the container and remove the polyethylene cushions. |
-

Installation Instructions

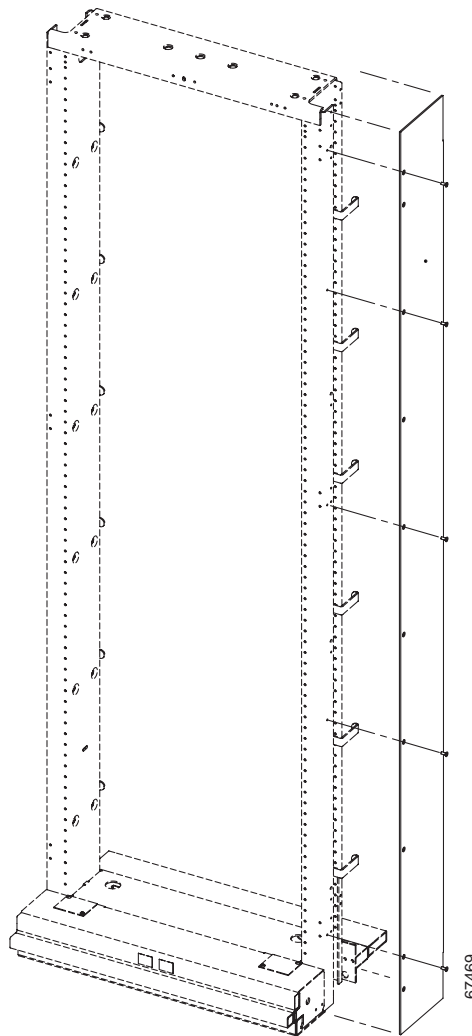
The end cover can be installed in two ways:

- Mounted directly to the bay assembly rack
- Mounted on a bay assembly rack with an extender

Mounting the End Cover Directly

- Step 1** Align the end cover panel against the rack, so it is flush to the front of the rack ([Figure 3](#)).
- Step 2** Secure the end cover to the rack using the five provided Phillips 10-32 x 0.5-in (1.27-cm) flat-head metal screws.

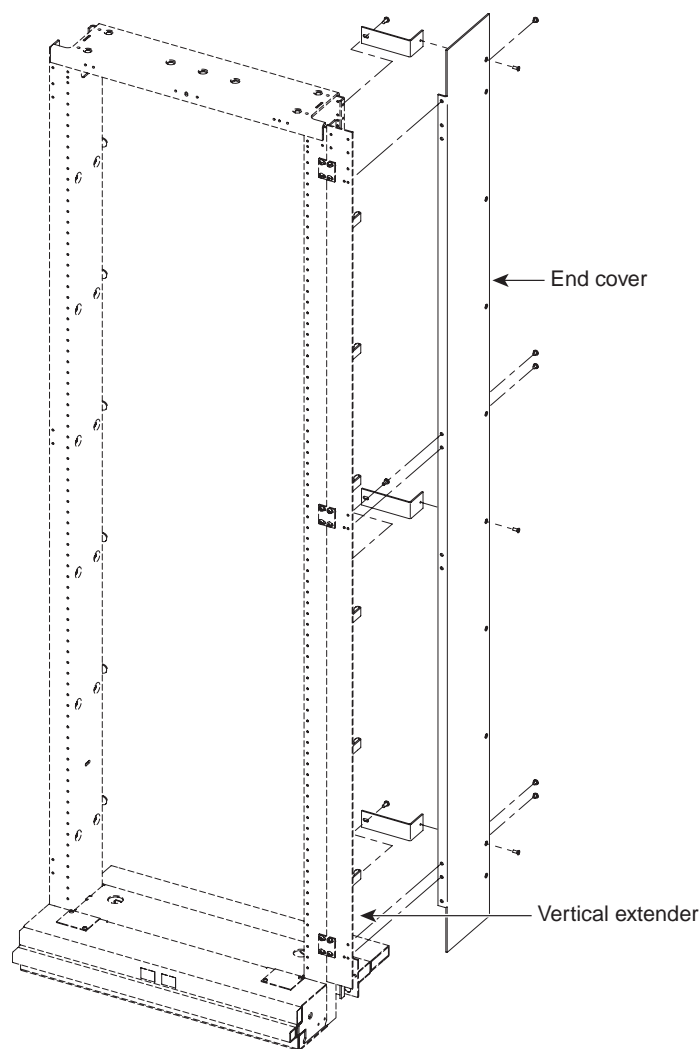
Figure 3 *Mounting the End Cover Directly*



Mounting the End Cover with the Extender

- Step 1** Align the end cover flush with the front of the rack and next to the rack or base filler.
- Step 2** Align the the L-shaped edge of the end cover with the vertical extender, and secure the end cover to the extender using the five provided Phillips 10-32 x 0.5-in (1.27-cm) pan-head metal screws (Figure 4).
- Step 3** Attach the short end of the three L-shaped brackets to the end cover using the three provided Phillips 10-32 x 0.5-in (1.27-cm) flat-head metal screws.
- Step 4** Attach the long end of the three L-shaped brackets to the rack frame using the three provided Phillips 12-24 x 0.5-in (1.27-cm) pan-head metal screws.

Figure 4 *Mounting the End Cover with the Extender*



This document is to be used in conjunction with Cisco ONS 15454 user documentation and 15454-FAP-LVD documentation.

CCVP, the Cisco logo, and Welcome to the Human Network are trademarks of Cisco Systems, Inc.; Changing the Way We Work, Live, Play, and Learn is a service mark of Cisco Systems, Inc.; and Access Registrar, Aironet, Catalyst, CCDA, CCDP, CCIE, CCIP, CCNA, CCNP, CCSP, Cisco, the Cisco Certified Internetwork Expert logo, Cisco IOS, Cisco Press, Cisco Systems, Cisco Systems Capital, the Cisco Systems logo, Cisco Unity, Enterprise/Solver, EtherChannel, EtherFast, EtherSwitch, Fast Step, Follow Me Browsing, FormShare, GigaDrive, HomeLink, Internet Quotient, IOS, iPhone, IP/TV, iQ Expertise, the iQ logo, iQ Net Readiness Scorecard, iQuick Study, LightStream, Linksys, MeetingPlace, MGX, Networkers, Networking Academy, Network Registrar, PIX, ProConnect, ScriptShare, SMARTnet, StackWise, The Fastest Way to Increase Your Internet Quotient, and TransPath are registered trademarks of Cisco Systems, Inc. and/or its affiliates in the United States and certain other countries.

All other trademarks mentioned in this document or Website are the property of their respective owners. The use of the word partner does not imply a partnership relationship between Cisco and any other company. (0711R)

Copyright © 2007, Cisco Systems, Inc.
All rights reserved.