



Dynamic Multiple Encapsulations for Dial-In over ISDN

This document describes Dynamic Multiple Encapsulations for dial-in over ISDN in the following sections:

- Feature Overview on page 1
- Supported Platforms on page 5
- Prerequisites on page 6
- Supported MIBs and RFCs on page 6
- Configuration Tasks on page 6
- Configuration Examples on page 8
- Command Reference on page 15
- Glossary on page 24

Feature Overview

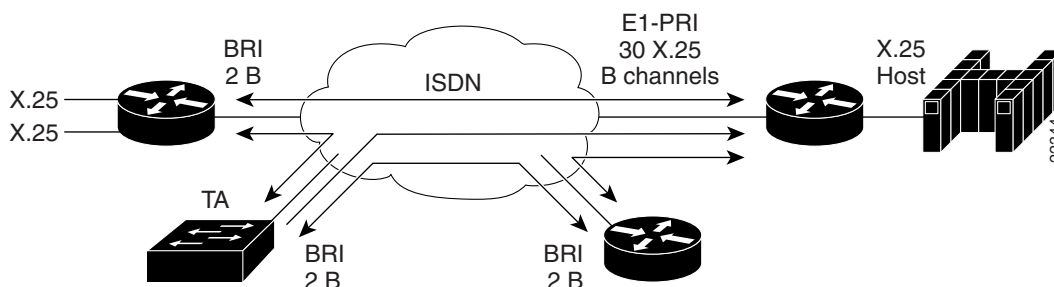
The Dynamic Multiple Encapsulations feature allows incoming calls over Integrated Services Digital Network (ISDN) to be assigned an encapsulation type such as Point-to-Point Protocol (PPP) and X.25 based on calling line identification (CLID) or Dialed Number Identification Service (DNIS). It also allows various encapsulation types and per-user configurations on the same ISDN B channel at different times according to the type of incoming call.

The Dynamic Multiple Encapsulations feature allows per-user configuration for each dial-in caller on any ingress ISDN B channel on which encapsulation can be run independently from other B channels on the same ISDN link. The caller is identified by CLID or DNIS to make sure that only incoming calls with authorization and valid user profiles are accepted. When PPP is used, authentication and profile binding can also be done by PPP name.

Dynamic multiple encapsulation is especially important in Europe where ISDN is relatively inexpensive and maximum use of all 30 B channels on the same ISDN link is desirable. Further, the feature removes the need to statically dedicate channels to a particular encapsulation and configuration type, and improves channel usage.

Figure 1 shows a typical configuration for an X.25 network in Europe. The Dynamic Multiple Encapsulations feature allows use of all 30 B channels, and supports calls that originate in diverse areas of the network and converge on the same ISDN PRI.

Figure 1 European X.25 Network



Although the Dynamic Multiple Encapsulations feature enhances large scale dial-in functionality, the feature also works well in smaller scale dial-in situations.

Dial-on-Demand Routing Software Enhancements

The following sections describe the enhancements to the dial-on-demand routing (DDR) software that enable the Dynamic Multiple Encapsulations feature.

Dynamic, Multiple HDLC, PPP, and X.25 Encapsulations

Before the Dynamic Multiple Encapsulations feature and Cisco IOS software Release 12.0(4)T, encapsulation techniques such as X.25 could support only one ISDN B-channel connection over the entire link. High-Level Data Link Control (HDLC) and PPP could support multiple B channels, but the entire ISDN link needed to use the same encapsulation. With the Dynamic Multiple Encapsulations feature, once CLID binding is completed, the topmost interface is always used for all configuration and data structures. The ISDN B channel becomes a forwarding device, and the configuration on the D channel is ignored.

For X.25 encapsulations, the configurations reside on the dialer profile. Dynamic multiple encapsulations provide support for packet assembler/dissassembler (PAD) traffic and X.25 encapsulated and switched packets.

New Dialer Profile Model

In previous Cisco IOS software, dialer profiles in the same dialer pool needed encapsulation-specific configuration information entered under both the dialer profile interface and the ISDN interface. If any conflict arose between the logical and the physical interfaces, the dialer profile failed to work.

In the new dialer profile model introduced by the Dynamic Multiple Encapsulations feature, the configuration on the ISDN interface is ignored and only the configuration on the profile interface is used, unless PPP name binding is used. Before a successful bind by CLID occurs, no encapsulation type and configuration are assumed or taken from the physical interfaces.

When PPP is used and a CLID bind fails, a dialer profile still can be matched by PPP name authentication. In the new dialer profile model, multiple attempts are made to find a matching profile.

PPP encapsulation on an ISDN link is different from other encapsulation types because it runs on the B channel rather than the dialer profile interface. There are two possible configuration sources in a profile bind: the D and the dialer profile interfaces. Hence, a configuration conflict between them is possible. If a successful bind is accomplished by name authentication, the configuration used to bring PPP up is the one on the D interface. This is the name used to locate a dialer profile for the bind. The configuration on an ISDN interface goes under the D rather than a B channel, although B channels inherit the configuration from their D interface.

However, the configuration on this found dialer profile could be different from the one on the D interface. For example, the **ppp multilink** command is configured on the D interface, but not on the dialer profile interface. The actual per-user configuration is the one on the dialer profile interface. In this case, per-user configuration is not achieved unless the link control protocol (LCP) and authentication are renegotiated. Because PPP client software often does not accept renegotiation, this workaround is not acceptable. Therefore, the D interface configuration takes precedence over the dialer profile interface configuration. This is the only case where the dialer profile's configuration is overruled.

DNIS-Plus-ISDN-Subaddress Multiple Call Binding Strategy

Previous releases of the dial-on-demand routing (DDR) software allowed only one bind between a dialer profile and an ISDN B channel. If DNIS binding was used over an ISDN link, and only one dialer profile interface was configured with this DNIS, no other ISDN B channels could bind to the dialer profile interface after it was bound to another B channel because DNIS is not a user identification.

To overcome this problem, Cisco IOS Release 12.0(4)T provides a new **dialer called** command that allows DNIS-plus-ISDN-subaddress binding for the dialer profile in which the ISDN subaddress is a user identification. DNIS binding is allowed only when the ISDN subaddress is present in an incoming call and configured in a dialer profile. ISDN subaddresses are used mainly in Europe and Australia.

The list of authorized CLIDs and DNIS-plus-ISDN-subaddresses for each user is stored in a local dialer profile. The highest binding priority is configured as follows: CLID binding, followed by DNIS-plus-ISDN-subaddress binding, followed by name binding, followed by default binding (for no security check).

More Efficient ISDN Call Screening

Before the Dynamic Multiple Encapsulations feature, calls were screened in the ISDN process. ISDN accepted all synchronous calls and performed some minimal CLID screening before accepting or rejecting a call. With the Dynamic Multiple Encapsulations feature, DDR provides a separate process that screens for the caller's profile. The new screening process also checks that enough resources are available to accept the call and that the call conforms to predetermined rules. When the call is found acceptable, the screening process searches for a matching profile for the caller. The call is accepted only when there is a matching profile.

Fancy Queueing and Traffic Shaping

In the old dialer profile model, fancy queueing and traffic shaping were configured under the physical interfaces. In the case of ISDN, it was the D interface. Thus, the same queueing or traffic shaping scheme needed to be applied to all users who were sharing the same ISDN link.

The new dialer profile model moves all the per-user encapsulation configuration to the dialer profile interfaces, separating it from hardware interfaces to make it dynamic and also to make per-user queuing and traffic shaping configuration possible. You need only configure the queuing and traffic shaping schemes you desire on the dialer profile interface and the interface will take precedence over those configured on the ISDN B-channel interface. Per-user fancy queuing and traffic shaping work with both process switching and fast switching in the new dialer profile model.

Outbound Circuit-Switched X.25 Support over a Dialer Interface

The Dynamic Multiple Encapsulations feature and Cisco IOS software Release 12.0(5)T enables circuit-switched X.25 clients—PAD, X.25 switching, and Qualified Logical Link Control (QLLC)—to initiate calls and dynamically bring the X.25 context (which runs the X.25 protocol) up or down as needed. This capability allows packet-switched traffic over a digital link like ISDN.

Before Cisco IOS software release 12.0(5)T, X.25 circuit-switched clients were required to do an X.25 route lookup to forward a call. If the lookup resulted in a route to a dialer interface, the client would check the X.25 protocol state on the dialer interface. If the interface was not already bound to run the X.25 protocol, the software would reroute the call instead of bringing up a link and running the X.25 protocol. With this new feature, the X.25 context is dynamically created on demand and then removed when the X.25 session is cleared on the dialer interface.

For dialer profile interfaces, the X.25 context is created on the dialer interface, because X.25 protocol functions run on the dialer interface itself. Member links act like forwarding devices, because their topmost interface runs the actual encapsulated protocol. But for legacy dialer interfaces, the X.25 context is created on the member links once they come up and bind to a dialer.

See “Outbound Circuit-Switched X.25 Example” in the “Configuration Examples” section for an example of how to set up this feature.

Load Balancing

The Dynamic Multiple Encapsulations feature continues to support load balancing for HDLC and PPP, but not for LAPB or X.25.

Benefits

- Allows incoming calls over ISDN to be assigned an encapsulation type such as PPP, or X.25 based on CLID or DNIS.
- Allows various encapsulation types and per-user configurations on the same ISDN B channel at different times according to the type of incoming call.
- Removes the need to statically dedicate channels to a particular encapsulation and configuration type, and improves channel usage. This capability is especially important in Europe, where allowing maximum use of all B channels on the same ISDN link is desired.
- Enhances large scale dial-in functionality by reducing channel assignment and management effort, and adds flexibility to the network.
- Works well in small scale dial-in situations.

Restrictions

The Dynamic Multiple Encapsulations feature provides bidirectional support of all serial encapsulations except Frame Relay.

The Dynamic Multiple Encapsulations feature also supports IP and IPX fast switching for HDLC and PPP encapsulations. There is no fast switching for LAPB or X.25; packets encapsulated by these protocols are always process switched.

Related Features and Technologies

The Dynamic Multiple Encapsulations feature changes the behavior of the DDR software functionality and serial line encapsulation. See the documents listed in the section “Related Documents” for background information about DDR and encapsulation methods.

Related Documents

For related information on the Dynamic Multiple Encapsulations feature, refer to the following documents:

- Cisco IOS Release 12.0 *Dial Solutions Configuration Guide* and Cisco IOS Release 12.0 *Dial Solutions Command Reference*
- Cisco IOS Release 12.0 *Cisco IOS Interface Configuration Guide* and Cisco IOS Release 12.0 *Cisco IOS Interface Command Reference*

Supported Platforms

- Cisco 1003 routers
- Cisco 1004 routers
- Cisco 1005 routers
- Cisco 1600 routers
- Cisco 2500 series routers
- Cisco 2600 routers
- Cisco 3600 series routers
- Cisco 4000 and 4000-M series routers
- Cisco 7000 series routers
- Cisco 7200 series routers
- Cisco 7500 series routers
- Cisco AS5200 series access servers
- Cisco AS5300 series access servers
- Cisco AS5800 series access servers

Prerequisites

Before beginning the configuration tasks in this document, you must:

- Be familiar with how the old dialer profile model works and understand how to configure dialer profiles. This information is available in the Cisco IOS Release 12.0 *Dial Solutions Configuration Guide*, in the chapters “Configuring Peer-to-Peer DDR with Dialer Profiles” and “Enterprise Dial Scenarios & Configurations.”
- Have already configured encapsulation methods on your interfaces. This information is available in the Cisco IOS Release 12.0 *Cisco IOS Interface Configuration Guide*, in the chapter “Configuring Serial Interfaces.”

See the documents listed in the section “Related Documents” for additional references.

Supported MIBs and RFCs

MIBs

No new or modified MIBs are supported by this feature.

For descriptions of supported MIBs and how to use MIBs, see the Cisco MIB web site on CCO at <http://www.cisco.com/public/sw-center/netmgmt/cmtk/mibs.shtml>.

RFCs

None

Configuration Tasks

The Dynamic Multiple Encapsulations feature requires no new command to configure. It introduces new dialer profile behaviors over ISDN, rather than new configuration tasks. The only new command added, **dialer called**, is not for configuring the Dynamic Multiple Encapsulations feature, but for configuring the new type of DNIS-plus-ISDN-subaddress profile binding.

To understand how dialer profiles work and how to configure them, see the Cisco IOS Release 12.0 *Dial Solutions Configuration Guide* and its chapters “Configuring Peer-to-Peer DDR with Dialer Profiles” and “Enterprise Dial Scenarios & Configurations.” To understand the changes that the Dynamic Multiple Encapsulations feature and the Cisco IOS Release 12.0(4)T and 12.0(5)T software have made to the dialer profile model, see the section “Dial-on-Demand Routing Software Enhancements” earlier in this document.

To configure DNIS-plus-ISDN-subaddress binding, if appropriate for your network, perform the task described in the section “Configuring DNIS-plus-ISDN-Subaddress Binding” later in this document.

To verify that the Dynamic Multiple Encapsulations feature is operating, view the physical interface bindings in effect as a result of the Dynamic Multiple Encapsulations feature. This task is described in the section “Verifying the Dynamic Multiple Encapsulations Feature” later in this document.

Configuring DNIS-plus-ISDN-Subaddress Binding

To configure DNIS-plus-ISDN-subaddress binding, use the following command in dial-on-demand routing mode, which allows multiple binds between a dialer profile and an ISDN B channel. This configuration requires an ISDN subaddress, which is used in Europe and Australia.

Command	Purpose
Router (config)# dialer called <i>DNIS:subaddress</i>	Binds a Dialed Number Identification Service to an ISDN subaddress.

Verifying the Dynamic Multiple Encapsulations Feature

To verify dialer interfaces configured for binding and see statistics on each physical interface bound to the dialer interface, use the **show interfaces EXEC** command. Look for the reports “Bound to:” and “Interface is bound to...” while keeping in mind that this feature only applies to ISDN.

```
Router# show interfaces dialer0

Dialer0 is up, line protocol is up
  Hardware is Unknown
  Internet address is 21.1.1.2/8
  MTU 1500 bytes, BW 64 Kbit, DLY 20000 usec, rely 255/255, load 1/255
  Encapsulation PPP, loopback not set
  DTR is pulsed for 1 seconds on reset
  Interface is bound to BRI0:1
  Last input 00:00:38, output never, output hang never
  Last clearing of "show interface" counters 00:05:36
  Queueing strategy: fifo
  Output queue 0/40, 0 drops; input queue 0/75, 0 drops
  5 minute input rate 0 bits/sec, 0 packets/sec
  5 minute output rate 0 bits/sec, 0 packets/sec
    38 packets input, 4659 bytes
    34 packets output, 9952 bytes
Bound to:
BRI0:1 is up, line protocol is up
  Hardware is BRI
  MTU 1500 bytes, BW 64 Kbit, DLY 20000 usec, rely 255/255, load 1/255
  Encapsulation PPP, loopback not set, keepalive not set
  Interface is bound to Dialer0 (Encapsulation PPP)
  LCP Open, multilink Open
  Last input 00:00:39, output 00:00:11, output hang never
  Last clearing of "show interface" counters never
  Queueing strategy: fifo
  Output queue 0/40, 0 drops; input queue 0/75, 0 drops
  5 minute input rate 0 bits/sec, 0 packets/sec
  5 minute output rate 0 bits/sec, 0 packets/sec
    78 packets input, 9317 bytes, 0 no buffer
    Received 65 broadcasts, 0 runts, 0 giants, 0 throttles
    0 input errors, 0 CRC, 0 frame, 0 overrun, 0 ignored, 0 abort
    93 packets output, 9864 bytes, 0 underruns
    0 output errors, 0 collisions, 7 interface resets
    0 output buffer failures, 0 output buffers swapped out
    4 carrier transitions
```

At the end of Dialer0 display, the **show interfaces** command is executed on each physical interface bound to it.

In the next example, the physical interface is the B1 channel of the BRI0 link. This example also illustrates that the output under the B channel keeps all hardware counts that are not displayed under any logical or virtual access interface. The line in the report that states “Interface is bound to Dialer0 (Encapsulation LAPB)” indicates that this B interface is bound to the dialer 0 interface and the encapsulation running over this connection is LAPB, not PPP, which is the encapsulation configured on the D interface and inherited by the B channel.

```
Router# show interfaces bri0:1

BRI0:1 is up, line protocol is up
Hardware is BRI
MTU 1500 bytes, BW 64 Kbit, DLY 20000 usec, rely 255/255, load 1/255
Encapsulation PPP, loopback not set, keepalive not set
Interface is bound to Dialer0 (Encapsulation LAPB)
LCP Open, multilink Open
Last input 00:00:31, output 00:00:03, output hang never
Last clearing of "show interface" counters never
Queueing strategy: fifo
Output queue 0/40, 0 drops; input queue 0/75, 0 drops
5 minute input rate 0 bits/sec, 1 packets/sec
5 minute output rate 0 bits/sec, 1 packets/sec
 110 packets input, 13994 bytes, 0 no buffer
Received 91 broadcasts, 0 runts, 0 giants, 0 throttles
 0 input errors, 0 CRC, 0 frame, 0 overrun, 0 ignored, 0 abort
 135 packets output, 14175 bytes, 0 underruns
 0 output errors, 0 collisions, 12 interface resets
 0 output buffer failures, 0 output buffers swapped out
 8 carrier transitions
```

Any protocol configuration and states should be displayed from the dialer 0 interface.

Configuration Examples

This section provides examples of the Dynamic Multiple Encapsulations feature, as follows.

- Multiple Encapsulations over ISDN Example
- Outbound Circuit-Switched X.25 Example

Multiple Encapsulations over ISDN Example

In the following configuration example, a network access server named NAS1 has dialer profiles, and LAPB, X.25, and PPP encapsulations configured. Although the BRI0 D interface uses X.25 encapsulation, the actual encapsulations running over the ISDN B channels are determined by the encapsulations configured on the profile interfaces bound to them.

When an ISDN B channel connects to remote user RU2 using CLID 60043, Dialer1 is bound to this ISDN B channel by CLID binding. The protocol used is PPP; the X.25 configuration on the D interface has no effect. Because the **ppp authentication chap command** is configured, even though the binding is done by CLID, PPP authentication is still performed over the name RU2 before the protocol is allowed to proceed.

The Dialer2 interface uses DNIS-plus-ISDN-subaddress binding, and is bound to a B channel with an incoming call with DNIS 60045 and ISDN subaddress 12345. Also note that the HDLC encapsulation has no username associated. It is no longer necessary to configure the **dialer remote-name** command, as in the previous dialer profile model.

When there is an ISDN B-channel connection to remote user RU1 using CLID 60036, LAPB encapsulation will run on this connection once CLID binding to Dialer0 takes place. This connection will operate as a standalone link independent of other activities over other ISDN B channels.

```
!  
version 12.0(4)T  
service timestamps debug datetime msec  
service timestamps log datetime msec  
service password-encryption  
service udp-small-servers  
service tcp-small-servers  
!  
virtual-profile virtual-template 1  
virtual-profile aaa  
!  
hostname NAS1  
!  
aaa new-model  
aaa authentication ppp default radius  
aaa authorization network radius  
enable secret 5 $1$0Ced$YYJJ12p8f94lc/.JSgw8n1  
enable password 7 153D19270D2E  
!  
username RU1 password 7 11260B2E1E16  
username RU2 password 7 09635C221001  
no ip domain-lookup  
ip domain-name cisco.com  
ip name-server 198.92.30.32  
ip name-server 171.69.2.132  
isdn switch-type basic-5ess  
!  
int Virtual-Template 1  
encapsulation ppp  
ppp authentication chap  
!  
interface Ethernet0  
ip address 172.21.17.11 255.255.255.0  
no ip mroute-cache  
no cdp enable  
!  
interface Serial0  
ip address 2.2.2.1 255.0.0.0  
shutdown  
clockrate 56000  
ppp authentication chap  
!  
interface Serial1  
ip address 10.0.0.1 255.0.0.0  
shutdown  
!  
interface BRI0  
description PBX 60035  
no ip address  
encapsulation x25  
no ip mroute-cache  
no keepalive  
dialer pool-member 1  
dialer pool-member 2  
!
```

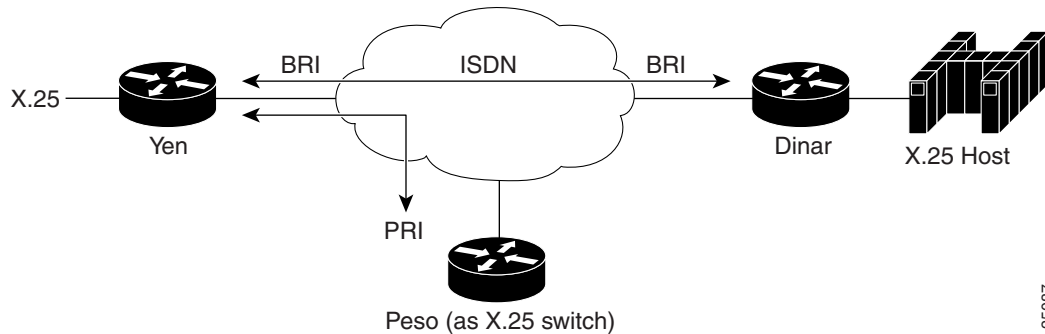
Multiple Encapsulations over ISDN Example

```
interface Dialer0
  ip address 21.1.1.1 255.0.0.0
  encapsulation lapb dce multi
  no ip route-cache
  no ip mroute-cache
  no keepalive
  dialer remote-name RU1
  dialer idle-timeout 300
  dialer string 60036
  dialer caller 60036
  dialer pool 1
  dialer-group 1
  no fair-queue
!
interface Dialer1
  ip address 22.1.1.1 255.0.0.0
  encapsulation ppp
  no ip route-cache
  no ip mroute-cache
  dialer remote-name RU2
  dialer string 60043
  dialer caller 60043
  dialer pool 2
  dialer-group 1
  no fair-queue
  no cdp enable
  ppp authentication chap
!
interface Dialer2
  ip address 23.1.1.1 255.0.0.0
  encapsulation hdlc
  dialer called 60045:12345
  dialer pool 1
  dialer-group 1
  fair-queue
!
radius-server host 171.69.61.87
radius-server key foobar
snmp-server community public RO
!
line con 0
  exec-timeout 0 0
line aux 0
  transport input all
line vty 0 4
  password 7 10611B320C13
  login
!
end
```

Outbound Circuit-Switched X.25 Example

The following example shows how to configure dynamic X.25 on an ISDN interface. Figure 2 illustrates the configuration.

Figure 2 Dynamic X.25 over ISDN



25087

Configuration for Yen:

```

!
version 12.0(5)T
service timestamps debug uptime
service timestamps log uptime
no service password-encryption
service udp-small-servers
service tcp-small-servers
!
hostname yen
!
enable secret 5 $1$K32j$4AZW2oMDivpUeuMa/Fdcd.
enable password poPee
!
username mark password 0 cisco
username dinar password 0 cisco
ip subnet-zero
no ip domain-lookup
ip domain-name cicso.com
ip name-server 171.69.1.148
!
isdn switch-type basic-5ess
x25 routing
!
interface Loopback0
no ip address
no ip directed-broadcast
no ip mroute-cache
!
interface Ethernet0
ip address 172.21.75.2 255.255.255.0
no ip directed-broadcast
no ip mroute-cache
media-type 10BaseT
!

```

Outbound Circuit-Switched X.25 Example

```
interface BRI1
no ip address
no ip directed-broadcast
no ip mroute-cache
dialer pool-member 1
isdn switch-type basic-5ess
no fair-queue
!
interface Dialer0
ip address 2.1.1.1 255.0.0.0
no ip directed-broadcast
encapsulation x25
no ip mroute-cache
dialer remote-name dinar
dialer idle-timeout 180
dialer string 81060
dialer caller 81060
dialer max-call 1
dialer pool 1
dialer-group 1
x25 address 11111
x25 map ip 2.1.1.2 22222
!
ip default-gateway 172.21.75.1
no ip classless
ip route 0.0.0.0 0.0.0.0 172.21.75.1
no ip http server
!
access-list 101 permit ip any any
dialer-list 1 protocol ip list 101
!
x25 route 22222 interface Dialer0
x25 route 33333 interface Dialer0
!
line con 0
exec-timeout 0 0
transport input none
line aux 0
transport input all
line vty 0 4
password cisco
login
line vty 5 100
password cisco
login
!
end
```

Configuration for Peso Acting as X.25 Switch:

```
!
version 12.0(5)T
service timestamps debug uptime
service timestamps log uptime
no service password-encryption
!
hostname peso
!
enable secret 5 $1$.Q00$h3vIhbOw01fPvA2LYx2gE.
enable password cisco
!
```

```
ip subnet-zero
!
isdn switch-type primary-5ess
x25 routing
!
controller T1 0
cablelength short
cablelength short 133
!
controller T1 1
framing esf
clock source line primary
pri-group timeslots 1-24
!
controller T1 2
cablelength short
cablelength short 133
!
controller T1 3
cablelength short
cablelength short 133
!
interface Ethernet0
ip address 172.21.75.3 255.255.255.0
no ip directed-broadcast
!
interface Serial1:23
no ip address
no ip directed-broadcast
encapsulation ppp
dialer pool-member 1
isdn switch-type primary-5ess
isdn incoming-voice modem
no fair-queue
no cdp enable
ppp authentication chap
!
interface Dialer0
no ip address
no ip directed-broadcast
encapsulation x25 dce
no ip mroute-cache
dialer remote-name yen
dialer idle-timeout 180
dialer string 61401
dialer caller 61401
dialer max-call 1
dialer pool 1
x25 address 33333
!
interface Dialer1
no ip address
no ip directed-broadcast
encapsulation x25 dce
no ip mroute-cache
dialer remote-name dinar
dialer idle-timeout 180
dialer string 61403
dialer caller 61403
dialer max-call 1
dialer pool 1
x25 address 44444
!
```

Outbound Circuit-Switched X.25 Example

```
ip default-gateway 172.21.75.1
no ip classless
ip route 0.0.0.0 0.0.0.0 172.21.75.1
no ip http server
!
x25 route 11111 interface Dialer0
x25 route 22222 interface Dialer1
x25 route source 11111 interface Dialer1
x25 route input-interface Dialer0 interface Dialer1
!
line con 0
transport input none
line 1 48
line aux 0
line vty 0 4
password cisco
login
line vty 5 100
password cisco
login
!
end
```

Configuration for Dinar:

```
version 12.0(5)T
service timestamps debug uptime
service timestamps log uptime
no service password-encryption
!
hostname dinar
!
logging buffered 16384 debugging
enable secret 5 $1$8EjF$4.S0AoMOVa50IAYEMrrFI/
enable password cisco
!
username yen password 0 cisco
username 7701
username drachma password 0 cisco
username AODI password 0 cisco
ip subnet-zero
ip rcmd rcp-enable
ip rcmd rsh-enable
ip rcmd remote-username atirumal
!
isdn switch-type basic-5ess
x25 routing
!
controller T1 0/0
!
interface BRI3/1
no ip address
no ip directed-broadcast
no ip mroute-cache
dialer pool-member 1
isdn switch-type basic-5ess
no fair-queue
!
```

```

interface Dialer0
ip address 2.1.1.2 255.0.0.0
no ip directed-broadcast
encapsulation x25
no ip mroute-cache
dialer remote-name yen
dialer idle-timeout 180
dialer string 81060
dialer caller 81060
dialer max-call 1
dialer pool 1
dialer-group 1
x25 address 22222
x25 map ip 2.1.1.1 11111
!
interface Dialer1
ip address 6.1.1.10 255.0.0.0
no ip directed-broadcast
no ip mroute-cache
dialer in-band
dialer-group 1
no fair-queue
!
ip default-gateway 172.21.75.1
no ip classless
ip route 0.0.0.0 0.0.0.0 172.21.75.1
no ip http server
!
access-list 101 permit ip any any
dialer-list 1 protocol ip list 101
!
x25 route 11111 interface Dialer0
x25 route 44444 interface Dialer0
!

```

Command Reference

This section documents the following new and modified commands that configure the Dynamic Multiple Encapsulations feature. All other commands used with this feature are documented in the Cisco IOS Release 12.0 command reference publications.

- **dialer called**
- **show interfaces**

In Cisco IOS Release 12.0(1)T or later, you can search and filter the output for **show** and **more** commands. This functionality is useful when you need to sort through large amounts of output, or if you want to exclude output that you do not need to see.

To use this functionality, enter a **show** or **more** command followed by the “pipe” character (`|`), one of the keywords **begin**, **include**, or **exclude**, and an expression that you want to search or filter on:

```
command | {begin | include | exclude} regular-expression
```

Following is an example of the **show atm vc** command in which you want the command output to begin with the first line where the expression “PeakRate” appears:

```
show atm vc | begin PeakRate
```

For more information on the search and filter functionality, refer to the Cisco IOS Release 12.0(1)T feature module titled *CLI String Search*.

dialer called

To configure dial-on-demand routing (DDR) to perform DNIS-plus-ISDN-subaddress binding for dialer profile interfaces, use the **dialer called** dial-on-demand routing configuration command. To disable DNIS-plus-ISDN-subaddress binding, use the **no** form of this command.

dialer called *DNIS:subaddress*
no dialer called *DNIS:subaddress*

Syntax Description

DNIS:subaddress Dialed Number Identification Service, or the called party number, a colon, and then the ISDN subaddress.

Defaults

No default behavior or values.

Command Modes

Dial-on-demand routing

Command History

Release	Modification
12.0(4)T	This command was introduced.

Usage Guidelines

If you have more than one DNIS-plus-ISDN-subaddress number to configure under the same dialer profile interface, you can configure multiple **dialer called** commands.

The parser accepts a **dialer called** command with a DNIS and without the subaddress; however, the call will fail. For a successful call, enter the DNIS, a colon, and the ISDN subaddress after the **dialer called** command.

Examples

The following example configures a dialer profile for a receiver with DNIS 12345 and ISDN subaddress 6789:

```
dialer called 12345:6789
```

Related Commands

Command	Description
dial caller	Configures caller ID screening and enables ISDN caller ID callback for the dialer profiles DDR feature.

show interfaces

To display statistics for all interfaces configured on the router or access server, use the **show interfaces EXEC** command. The resulting output varies, depending on the network for which an interface has been configured.

show interfaces [*type number*] [*first*] [*last*] [**accounting**]

show interfaces [*type slot/port*] [**accounting**] (for Cisco 7200 series routers, and for Cisco 7500 series routers with a Packet-over-SONET Interface Processor)

show interfaces [*type slot/port-adapter/port*] [**ethernet | serial**] (for ports on a Versatile Interface Processor (VIP) in Cisco 7500 series routers)

Syntax Description

<i>type</i>	(Optional) Interface type. Allowed values for <i>type</i> include async , bri0 , dialer , ethernet , fastethernet , fdi , hssi , loopback , null , serial , tokenring , and tunnel . For Cisco 4000 series routers, <i>type</i> can be e1 , ethernet , fastethernet , fdi , serial , t1 , and token . For Cisco 4500 series routers, <i>type</i> can also include atm . For Cisco 7000 series routers, <i>type</i> can be atm , e1 , ethernet , fastethernet , fdi , serial , t1 , and tokenring . For Cisco 7500 series routers, <i>type</i> can also include pos .
<i>number</i>	(Optional) Port number on the selected interface.
<i>first last</i>	(Optional) For Cisco 2500 and 3000 series routers, ISDN Basic Rate Interface (BRI) only. The argument <i>first</i> can be either 1 or 2. The argument <i>last</i> can only be 2, indicating B channels 1 and 2. D-channel information is obtained by using the show interfaces command without the optional arguments.
accounting	(Optional) Displays the number of packets of each protocol type that have been sent through the interface.
<i>slot/port</i>	(Optional) Refer to the appropriate hardware manual for slot and port information.
<i>port-adapter</i>	(Optional) Refer to the appropriate hardware manual for information about port adapter compatibility.

Defaults

Statistical display of all network interfaces.

Command Modes

EXEC

Command History

Release	Modification
Cisco IOS Release 10.0	This command was introduced.
Cisco IOS Release 12.0(4)T	The display was enhanced to report dialer bound interfaces.

Usage Guidelines

The report from this command for the Cisco 7200 series routers shows the interface processors in slot order. If you add interface processors after booting the system, they will appear at the end of the list, in the order in which they were inserted.

If you use the **show interfaces** command on the Cisco 7200 series routers without the *slot/port* arguments, information for all interface types will be shown. For example, if you use **show interfaces ethernet** you will receive information for all Ethernet, FDDI, serial, and Token Ring interfaces. Only by adding the *type slot/port* argument can you specify a particular interface.

If you use the **show interfaces** command for an interface type that has been removed from the router or access server, interface statistics will be displayed accompanied by the following text: "Hardware has been removed."

If you use the **show interfaces** command on a router or access server for which interfaces are configured to use weighted fair queueing through the **fair-queue** interface command, additional information is displayed containing the current and high-water mark number of flows.

If you use the **show interfaces** command on dialer interfaces configured for binding, the display will report statistics on each physical interface bound to the dialer interface; see the following examples for more information.

You will use the **show interfaces** command frequently while configuring and monitoring devices. The various forms of the **show interfaces** commands are described in detail in the following sections.

Examples

The following is sample output from the **show interfaces** command. Because your display will depend on the type and number of interface cards in your router or access server, only a portion of the output is shown.

```
Router# show interfaces

Ethernet 0 is up, line protocol is up
  Hardware is MCI Ethernet, address is 0000.0c00.750c (bia 0000.0c00.750c)
  Internet address is 131.108.28.8, subnet mask is 255.255.255.0
  MTU 1500 bytes, BW 10000 Kbit, DLY 100000 usec, rely 255/255, load 1/255
  Encapsulation ARPA, loopback not set, keepalive set (10 sec)
  ARP type: ARPA, ARP Timeout 4:00:00
  Last input 0:00:00, output 0:00:00, output hang never
  Last clearing of "show interface" counters 0:00:00
  Output queue 0/40, 0 drops; input queue 0/75, 0 drops
  Five minute input rate 0 bits/sec, 0 packets/sec
  Five minute output rate 2000 bits/sec, 4 packets/sec
    1127576 packets input, 447251251 bytes, 0 no buffer
    Received 354125 broadcasts, 0 runts, 0 giants
    0 input errors, 0 CRC, 0 frame, 0 overrun, 0 ignored, 0 abort
    5332142 packets output, 496316039 bytes, 0 underruns
    0 output errors, 432 collisions, 0 interface resets, 0 restarts
  ---More---
```

Sample Output with DNIS Binding

When the **show interfaces** command is issued on an unbound dialer interface, the output looks as follows:

```
Router# show interfaces dialer0

Dialer0 is up (spoofing), line protocol is up (spoofing)
  Hardware is Unknown
  Internet address is 21.1.1.2/8
  MTU 1500 bytes, BW 64 Kbit, DLY 20000 usec, rely 255/255, load 3/255
  Encapsulation PPP, loopback not set
  DTR is pulsed for 1 seconds on reset
  Last input 00:00:34, output never, output hang never
  Last clearing of "show interface" counters 00:05:09
  Queueing strategy: fifo
  Output queue 0/40, 0 drops; input queue 0/75, 0 drops
  5 minute input rate 0 bits/sec, 0 packets/sec
  5 minute output rate 1000 bits/sec, 0 packets/sec
    18 packets input, 2579 bytes
    14 packets output, 5328 bytes
```

But when the **show interfaces** command is issued on a bound dialer interface, you will get an additional report indicating the binding relationship. The output looks as follows:

```
Router# show interfaces dialer0

Dialer0 is up, line protocol is up
  Hardware is Unknown
  Internet address is 21.1.1.2/8
  MTU 1500 bytes, BW 64 Kbit, DLY 20000 usec, rely 255/255, load 1/255
  Encapsulation PPP, loopback not set
  DTR is pulsed for 1 seconds on reset
  Interface is bound to BRI0:1
  Last input 00:00:38, output never, output hang never
  Last clearing of "show interface" counters 00:05:36
  Queueing strategy: fifo
  Output queue 0/40, 0 drops; input queue 0/75, 0 drops
  5 minute input rate 0 bits/sec, 0 packets/sec
  5 minute output rate 0 bits/sec, 0 packets/sec
    38 packets input, 4659 bytes
    34 packets output, 9952 bytes
Bound to:
BRI0:1 is up, line protocol is up
  Hardware is BRI
  MTU 1500 bytes, BW 64 Kbit, DLY 20000 usec, rely 255/255, load 1/255
  Encapsulation PPP, loopback not set, keepalive not set
  Interface is bound to Dialer0 (Encapsulation PPP)
  LCP Open, multilink Open
  Last input 00:00:39, output 00:00:11, output hang never
  Last clearing of "show interface" counters never
  Queueing strategy: fifo
  Output queue 0/40, 0 drops; input queue 0/75, 0 drops
  5 minute input rate 0 bits/sec, 0 packets/sec
  5 minute output rate 0 bits/sec, 0 packets/sec
    78 packets input, 9317 bytes, 0 no buffer
  Received 65 broadcasts, 0 runts, 0 giants, 0 throttles
  0 input errors, 0 CRC, 0 frame, 0 overrun, 0 ignored, 0 abort
  93 packets output, 9864 bytes, 0 underruns
  0 output errors, 0 collisions, 7 interface resets
  0 output buffer failures, 0 output buffers swapped out
  4 carrier transitions
```

At the end of Dialer0 output, the **show interfaces** command is executed on each physical interface bound to it.

In the next example, the physical interface is the B1 channel of the BRI0 link. This example also illustrates that the output under the B channel keeps all hardware counts that are not displayed under any logical or virtual access interface. The line in the report that states “Interface is bound to Dialer0 (Encapsulation LAPB)” indicates that this B interface is bound to Dialer0 and the encapsulation running over this connection is LAPB, not PPP, which is the encapsulation configured on the D interface and inherited by the B channel.

```
Router# show interfaces bri0:1

BRI0:1 is up, line protocol is up
Hardware is BRI
MTU 1500 bytes, BW 64 Kbit, DLY 20000 usec, rely 255/255, load 1/255
Encapsulation PPP, loopback not set, keepalive not set
Interface is bound to Dialer0 (Encapsulation LAPB)
LCP Open, multilink Open
Last input 00:00:31, output 00:00:03, output hang never
Last clearing of "show interface" counters never
Queueing strategy: fifo
Output queue 0/40, 0 drops; input queue 0/75, 0 drops
5 minute input rate 0 bits/sec, 1 packets/sec
5 minute output rate 0 bits/sec, 1 packets/sec
 110 packets input, 13994 bytes, 0 no buffer
Received 91 broadcasts, 0 runts, 0 giants, 0 throttles
 0 input errors, 0 CRC, 0 frame, 0 overrun, 0 ignored, 0 abort
 135 packets output, 14175 bytes, 0 underruns
 0 output errors, 0 collisions, 12 interface resets
 0 output buffer failures, 0 output buffers swapped out
 8 carrier transitions
```

Any protocol configuration and states should be displayed from the Dialer0 interface.

Sample Output with Custom Output Queueing

The following shows partial sample output when custom output queueing is enabled:

```
Last clearing of "show interface" counters 0:00:06
Input queue: 0/75/0 (size/max/drops); Total output drops: 21
Output queues: (queue #: size/max/drops)
 0: 14/20/14  1: 0/20/6  2: 0/20/0  3: 0/20/0  4: 0/20/0  5: 0/20/0
 6: 0/20/0  7: 0/20/0  8: 0/20/0  9: 0/20/0 10: 0/20/0
```

When custom queueing is enabled, the drops accounted for in the output queues result from bandwidth limitation for the associated traffic and lead to queue length overflow. Total output drops include drops on all custom queues and the system queue. Fields are described with the weighted fair queueing output in Table 1.

Sample Output Including Weighted Fair Queueing Output

For each interface on the router or access server configured to use weighted fair queueing, the **show interfaces** command displays the information beginning with “Input queue:” in the following output:

```
Router# show interfaces

Ethernet 0 is up, line protocol is up
  Hardware is MCI Ethernet, address is 0000.0c00.750c (bia 0000.0c00.750c)
  Internet address is 131.108.28.8, subnet mask is 255.255.255.0
  MTU 1500 bytes, BW 10000 Kbit, DLY 100000 usec, rely 255/255, load 1/255
  Encapsulation ARPA, loopback not set, keepalive set (10 sec)
  ARP type: ARPA, ARP Timeout 4:00:00
  Last input 0:00:00, output 0:00:00, output hang never
  Last clearing of "show interface" counters 0:00:00
  Output queue 0/40, 0 drops; input queue 0/75, 0 drops
  Five minute input rate 0 bits/sec, 0 packets/sec
  Five minute output rate 2000 bits/sec, 4 packets/sec
    1127576 packets input, 447251251 bytes, 0 no buffer
    Received 354125 broadcasts, 0 runts, 0 giants
    0 input errors, 0 CRC, 0 frame, 0 overrun, 0 ignored, 0 abort
    5332142 packets output, 496316039 bytes, 0 underruns
    0 output errors, 432 collisions, 0 interface resets, 0 restarts
  Input queue: 0/75/0 (size/max/drops); Total output drops: 0
  Output queue: 7/64/0 (size/threshold/drops)
  Conversations 2/9 (active/max active)
```

Table 1 describes the input queue and output queue fields shown in the preceding output.

Table 1 Weighted Fair Queueing Output Fields

Field	Description
Input queue:	
• size	Current size of the input queue.
• max	Maximum size of the queue.
• drops	Number of messages discarded in this interval.
• Total output drops	Total number of messages discarded in this session.
Output queue:	
• size	Current size of the output queue.
• threshold	Congestive-discard threshold. Number of messages in the queue after which new messages for high-bandwidth conversations are dropped.
• drops	Number of messages discarded in this interval.
• Conversations: active	Number of currently active conversations.
• Conversations: max active	Maximum number of concurrent conversations allowed.

Sample Output with Accounting Option

To display the number of packets of each protocol type that have been sent through all configured interfaces, use the **show interfaces accounting** command. When you use the **accounting** option, only the accounting statistics are displayed.

Note Except for protocols that are encapsulated inside other protocols, such as IP over X.25, the accounting option also shows the total of all bytes sent and received, including the MAC header. For example, it totals the size of the Ethernet packet or the size of a packet that includes HDLC encapsulation.

Table 2 lists the protocols for which per-packet accounting information is kept.

Table 2 Per-Packet Counted Protocols

Protocol	Notes
Apollo	No note.
AppleTalk	No note.
ARP	For IP, Apollo, Frame Relay, Switched Multimegabit Data Service (SMDS).
CLNS	No note.
DEC MOP	The routers use MOP packets to advertise their existence to Digital Equipment Corporation machines that use the MOP protocol. A router periodically broadcasts MOP packets to identify itself as a MOP host. This results in MOP packets being counted, even when DECnet is not being actively used.
DECnet	No note.
HP Probe	No note.
IP	No note.
LAN Manager	LAN Network Manager and IBM Network Manager.
Novell	No note.
Serial Tunnel	Synchronous Data Link Control (SDLC).
Spanning Tree	No note.
SR Bridge	No note.
Transparent Bridge	No note.
VINES	No note.
XNS	No note.

Sample show interfaces accounting Output

The following is sample output from the **show interfaces accounting** command:

```
Router# show interfaces accounting

Interface TokenRing0 is disabled

Ethernet0
      Protocol    Pkts In   Chars In   Pkts Out   Chars Out
      IP          873171   735923409   34624     9644258
      Novell      163849   12361626    57143     4272468
      DEC MOP      0         0           1         77
      ARP         69618    4177080    1529     91740

Interface Serial0 is disabled

Ethernet1
      Protocol    Pkts In   Chars In   Pkts Out   Chars Out
      IP          0         0           37        11845
      Novell      0         0           4591     275460
      DEC MOP      0         0           1         77
      ARP         0         0           7         420

Interface Serial1 is disabled
Interface Ethernet2 is disabled
Interface Serial2 is disabled
Interface Ethernet3 is disabled
Interface Serial3 is disabled
Interface Ethernet4 is disabled
Interface Ethernet5 is disabled
Interface Ethernet6 is disabled
Interface Ethernet7 is disabled
Interface Ethernet8 is disabled
Interface Ethernet9 is disabled

Fddi0
      Protocol    Pkts In   Chars In   Pkts Out   Chars Out
      Novell      0         0           183     11163
      ARP         1         49          0         0
```

When the output indicates an interface is “disabled,” the router has received an excessive number of errors (over 5000 in a keepalive period).

Glossary

calling line identification—See CLID.

CLID—calling line identification. A unique number that informs the called party of the phone number identification of the calling party. Also known as caller ID.

DDR—dial-on-demand routing. Technique whereby a router can automatically initiate and close a circuit-switched session as transmitting stations demand. The router spoofs keepalive messages so that end stations treat the session as active. DDR permits routing over ISDN or telephone lines using an external ISDN terminal adapter or modem.

Dialed Number Identification Service—See DNIS.

dialer profile—Dialer profiles allow the configuration of physical interfaces to be separated from the logical configuration required for a call, and they also allow the logical and physical configurations to be bound together dynamically on a per-call basis. A dialer profile has the following elements: a dialer interface (a logical entity) configuration including one or more dial strings (each of which is used to reach one destination subnetwork), a dialer map class that defines all the characteristics for any call to the specified dial string, and an ordered dialer pool of physical interfaces to be used by the dialer interface.

dial-on-demand routing—See DDR.

DNIS—Dialed Number Identification Service. The called party number. Typically, this is a number used by call centers or a central office where different numbers are each assigned to a specific service.

HDLC—High-Level Data Link Control. Popular ISO standard bit-oriented, link-layer protocol derived from the Synchronous Data Link Protocol. HDLC specifies an encapsulation method of data on synchronous serial data links.

High-Level Data Link Control—See HDLC.

Integrated Services Digital Network—See ISDN.

ISDN—Integrated Services Digital Network. Communication protocol, offered by telephone companies, that permits telephone networks to carry data, voice, and other source traffic.

LCP—link control protocol. Protocol that establishes, configures, and tests data-link connections for use by PPP.

link control protocol—See LCP.

NCP—Network Control Protocol. Series of protocols for establishing and configuring different network layer protocols, such as for AppleTalk over PPP.

Network Control Protocol—See NCP.

packet assembler/dissassembler—See PAD.

PAD—packet assembler/dissassembler. Device used to connect simple devices (like character-mode terminals) that do not support the full functionality of a particular protocol to a network. PADs buffer data and assemble and disassemble packets sent to such end devices.

Point-to-Point Protocol—See PPP.

PPP—Point-to-Point Protocol. Provides router-to-router and host-to-network connections over synchronous and asynchronous circuits. PPP also has built-in security mechanisms, such as the Challenge Handshake Authentication Protocol (CHAP) and Password Authentication Protocol (PAP). PPP relies on two protocols: LCP and NCP.

Qualified Logical Link Control—See QLLC.

QLLC—Qualified Logical Link Control. Data link layer protocol defined by IBM that allows SNA data to be transported across X.25 networks.

X.25—ITU-T standard that defines how connections between data terminal equipment (DTE) and data circuit-terminating equipment (DCE) are maintained for remote terminal access and computer communications in public data networks (PDNs). X.25 specifies LAPB, a data link layer protocol, and packet level protocol (PLP), a network layer protocol.

