

Configuring X.25 and LAPB

This chapter describes how to configure connections through X.25 networks and Link Access Procedure, Balanced (LAPB) connections. LAPB procedures are presented first for those users who only want to configure a simple, reliable serial encapsulation method. For a complete description of the commands mentioned in this chapter, refer to the “X.25 and LAPB Commands” chapter in the *Router Products Command Reference* publication. To translate between an X.25 packet assembler/disassembler (PAD) connection and another protocol, refer to the *Protocol Translation Configuration Guide and Command Reference* publication.

Cisco’s Implementation of LAPB and X.25

X.25 is one of a group of specifications published by the International Telecommunication Union Telecommunication Standardization Sector (ITU-T); these specifications are international standards that are formally called *Recommendations*. The ITU-T Recommendation X.25 defines how connections between data terminal equipment (DTE) and data communications equipment (DCE) are maintained for remote terminal access and computer communications. The X.25 specification defines protocols for two layers of the OSI reference model. The data link layer protocol defined is LAPB. The network layer is sometimes called the packet level protocol (PLP), but is commonly (although less correctly) referred to as “the X.25 protocol.”

The ITU-T updates its Recommendations periodically. The specifications dated 1980 and 1984 are the most common versions currently in use. Additionally, the International Standards Organization (ISO) has published ISO 7776:1986 as an equivalent to the LAPB standard, and ISO 8208:1989 as an equivalent to the ITU-T 1984 X.25 Recommendation packet layer. Our X.25 software follows the ITU-T 1984 X.25 Recommendation, except for its Defense Data Network (DDN) and Blacker Front End (BFE) operation, which follow the ITU-T 1980 X.25 Recommendation.

Note The ITU-T carries out the functions of the former Consultative Committee for International Telegraph and Telephone (CCITT). The 1988 X.25 standard was the last published as a CCITT Recommendation. The first ITU-T Recommendation is the 1993 revision.

In addition to providing remote terminal access, our X.25 software provides transport for LAN protocols—IP, DECnet, XNS, ISO CLNS, AppleTalk, Novell IPX, Banyan VINES, and Apollo Domain—and bridging. For information about these protocols, refer to the specific protocol chapters in the this manual.

Briefly, the Cisco Systems X.25 software provides the following capabilities:

- LAPB datagram transport—LAPB is a protocol that operates at Level 2 (the data link layer) of the OSI reference model. It offers a reliable connection service for exchanging data (in units called frames) with one other host. The LAPB connection is configured to carry a single protocol or multiple protocols. Protocol datagrams (IP, DECnet, AppleTalk, and so forth) are carried over a reliable LAPB connection, or datagrams of several of these protocols are encapsulated in a proprietary protocol and carried over a LAPB connection. Cisco also implements transparent bridging over multiprotocol LAPB encapsulations on serial interfaces.
- X.25 datagram transport—X.25 can establish connections with multiple hosts; these connections are called virtual circuits. Protocol datagrams (IP, DECnet, AppleTalk, and so forth) are encapsulated inside packets on an X.25 virtual circuit. Mappings between a host's X.25 address and its datagram protocol addresses allow these datagrams to be routed through an X.25 network, thereby allowing an X.25 public data network (PDN) to transport LAN protocols.
- X.25 switch—X.25 calls can be routed based on their X.25 addresses either between serial interfaces on the same router (local switching) or across an IP network to another router (*X.25-over-TCP* or *XOT*, previously called *remote switching* or *tunneling*). *XOT* encapsulates the X.25 packet level inside a TCP connection, allowing X.25 equipment to be connected via a TCP/IP-based network. Cisco's X.25 switching features provide a convenient way to connect X.25 equipment, but do not provide the specialized features and capabilities of an X.25 Public Data Network (PDN).
- PAD—User sessions can be carried across an X.25 network using the Packet Assembly and Disassembly (PAD) protocols defined by the ITU-T Recommendations X.3 and X.29.
- QLLC—The router can use the QLLC protocol to carry SNA traffic through an X.25 network.
- Connection-Mode Network Service (CMNS)—CMNS is a mechanism that uses OSI-based NSAP addresses to extend local X.25 switching to nonserial media (for example, Ethernet, FDDI, and Token Ring). This implementation provides the X.25 PLP over LLC2 to allow connections over nonserial interfaces. Cisco's CMNS implementation supports services defined in ISO Standards 8208 (packet level) and 8802-2 (frame level).
- DDN and BFE X.25—The DDN-specified Standard Service is supported. The DDN X.25 Standard Service is the required protocol for use with DDN Packet-Switched Nodes (PSNs). The Defense Communications Agency (DCA) has certified Cisco Systems' DDN X.25 Standard Service implementation for attachment to the Defense Data Network. Cisco's DDN implementation also includes Blacker Front End and Blacker Emergency Mode operation.
- X.25 MIB—Subsets of the specifications in *SNMP MIB Extension for X.25 LAPB* (RFC 1381) and *SNMP MIB Extension for the X.25 Packet Layer* (RFC 1382) are supported. The LAPB XID Table X.25 Cleared Circuit Table, and X.25 Call Parameter Table are not implemented. All values are read-only. To use the X.25 MIB, refer to the *Cisco Management Information Base (MIB) User Quick Reference* publication, or the RFCs.

Our X.25 implementation does not support fast switching.

Reference information about X.25 facility handling by the capabilities listed above is found in the "X.25 Facility Handling" section before the examples at the end of this chapter.

LAPB Configuration Task List

It is possible to use only LAPB as a serial encapsulation method. This can be done when using a private serial line. You must use one of the X.25 packet-level encapsulations when attaching to an X.25 network.

The LAPB standards distinguish between two types of hosts: data terminal equipment (DTE), and data circuit-terminating equipment (DCE). At Level 2, or the data link layer in the OSI model, LAPB allows for orderly and reliable exchange of data between a DTE and a DCE. A router using LAPB encapsulation can act as a DTE or DCE device at the protocol level, which is distinct from the hardware DTE or DCE identity.

Using LAPB under noisy conditions can result in greater throughput than HDLC encapsulation. When LAPB detects a missing frame, the router retransmits the frame instead of waiting for the higher layers to recover the lost information. This behavior is good only if the host timers are relatively slow. In the case of quickly expiring host timers, however, you will discover that LAPB is spending much of its time transmitting host retransmissions. If the line is not noisy, the lower overhead of HDLC encapsulation is more efficient than LAPB. When using long delay satellite links, for example, the lock-step behavior of LAPB makes HDLC encapsulation the better choice.

To configure LAPB, complete the tasks in the following sections. The tasks in the first section are required; the remaining are optional.

- Configure a LAPB Datagram Transport
- Modify LAPB Protocol Parameters
- Configure LAPB Priority and Custom Queuing
- Configure Transparent Bridging over Multiprotocol LAPB
- Monitor and Maintain LAPB and X.25

Examples of LAPB configurations are given at the end of this chapter.

Configure a LAPB Datagram Transport

Set the appropriate LAPB encapsulation to run datagrams over a serial interface. One end of the link must be DTE and the other must be DCE.

Task	Command
Specify a serial interface.	interface serial <i>type number</i> ¹

1. This command is documented in the “Interface Commands” chapter in the *Router Products Command Reference* publication.

To select an encapsulation and the protocol if using a single protocol, or to select the multiple protocol operation, perform one or more of the following tasks in interface configuration mode:

Task	Command
Enable encapsulation of a single protocol on the line using DCE operation.	encapsulation lapb dce [<i>protocol</i>] ¹
Enable encapsulation of a single protocol on the line using DTE operation.	encapsulation lapb [dte] [<i>protocol</i>] ¹
Enable use of multiple protocols on the line using DCE operation.	encapsulation lapb dce multi
Enable use of multiple protocols on the line using DTE operation.	encapsulation lapb [dte] multi ^{2, 3}

1. Single protocol LAPB defaults to IP encapsulation.

2. Multi-LAPB does not support SRB bridging or TCP header compression, but does support transparent bridging.

3. Only protocols supported by a single protocol encapsulation are supported by multiprotocol LAPB encapsulation.

For an example of configuring LAPB DCE operation, see the section “Typical LAPB Configuration Example” later in this chapter.

Modify LAPB Protocol Parameters

X.25 Level 2 or LAPB operates at the data link layer of the OSI reference model. LAPB specifies methods for exchanging data (in units called *frames*), detecting out-of-sequence or missing frames, retransmitting frames, and acknowledging frames. Several protocol parameters can be modified to change LAPB protocol performance on a particular link. Because X.25 operates the PLP on top of the LAPB protocol, these tasks apply to both X.25 links and LAPB links. The parameters and their default values are summarized in Table 13-1.

Table 13-1 LAPB Parameters

Task (LAPB Parameter)	Command	Values or Ranges	Default
Set the modulo.	lapb modulo <i>modulus</i>	8 or 128	8
Set the window size (k).	lapb k <i>window-size</i>	1– (modulo minus 1) frames	7
Set maximum bits per frame (N1).	lapb n1 <i>bits</i>	Bits (must be a multiple of 8)	Based on hardware MTU and protocol overhead
Set count for sending frames (N2).	lapb n2 <i>tries</i>	1–255 tries	20
Set the retransmission timer (T1).	lapb t1 <i>milliseconds</i>	1–64000 milliseconds	3000
Set the hardware outage period.	lapb interface-outage <i>milliseconds</i>		0 (disabled)
Set the idle link period (T4).	lapb t4 <i>seconds</i>		0 (disabled)

The LAPB modulo determines the operating mode. Modulo 8 (basic mode) is widely available, because it is required for all standard LAPB implementations and is sufficient for most links. Modulo 128 (extended mode) can achieve greater throughput on high-speed links that have a low error rate (some satellite links, for example) by increasing the number of frames that can be transmitted before waiting for acknowledgment (as configured by the LAPB window parameter, k). By its design, LAPB’s k parameter can be at most one less than the operating modulo. Modulo 8 links can typically send seven frames before an acknowledgment must be received; modulo 128 links can set k to a value as large as 127. By default, LAPB links use the basic mode with a window of 7.

When connecting to an X.25 network, use the N1 parameter value set by the network administrator. This value is the maximum number of bits in a LAPB frame, which determines the maximum size of an X.25 packet. When using LAPB over leased lines, the N1 parameter should be eight times the hardware maximum transmission unit (MTU) size plus any protocol overhead.

The LAPB N1 range is dynamically calculated by the Cisco IOS software whenever an MTU change, an L2/L3 modulo change, or a compression change occurs on a LAPB interface.



Caution The LAPB N1 parameter provides little benefit beyond the interface MTU, and can easily cause link failures if misconfigured. Cisco recommends that this parameter be left at its default value.

The transmit counter (N2) is the number of unsuccessful transmit attempts will be made before the link is declared down.

The retransmission timer (T1) determines how long a transmitted frame can remain unacknowledged before the router polls for an acknowledgment. For X.25 networks, the router retransmission timer setting should match that of the network.

For leased-line circuits, the T1 timer setting is critical because the design of LAPB assumes that a frame has been lost if it is not acknowledged within period T1. The timer setting must be large enough to permit a maximum-sized frame to complete one round trip on the link. If the timer setting is too small, the router will poll before the acknowledgment frame can return, which may result in duplicated frames and severe protocol problems. If the timer setting is too large, the router waits longer than necessary before requesting an acknowledgment, which reduces bandwidth.

The LAPB standards define a timer to detect un signaled link failures (T4). The T4 timer is reset every time a frame is received from the partner on the link. If the T4 timer expires, a Receiver Ready frame with the Poll bit set is sent to the partner, which is required to respond. If the partner does not respond, the standard polling mechanism is used to determine whether the link is down. The period of T4 must be greater than the period of T1.

Another LAPB timer function allows brief hardware failures, while the protocol is up, without requiring a protocol reset. If a brief hardware outage occurs, the link will continue uninterrupted if the outage is cured before the specified hardware outage period expires.

For an example of configuring the LAPB T1 timer, see the section “Typical LAPB Configuration Example” later in this chapter.

Configure LAPB Priority and Custom Queuing

Cisco priority queuing and custom queuing are available for LAPB to allow administrators to improve a link’s responsiveness to a given type of traffic by specifying the priority of that type of traffic for transmission on the link.

Priority queuing is a mechanism that classifies packets based on certain criteria and then assigns the packets to one of four output queues, with high, medium, normal, or low priority. Custom queuing similarly classifies packets and assigns them to one of ten output queues, and controls the percentage of an interface’s available bandwidth that is used for a queue.

For example, an administrator can use priority queuing to ensure that all Telnet traffic is processed promptly and that SMTP traffic is sent only when there is no other traffic to send. Priority queuing in this example can starve the non-Telnet traffic; custom queuing can be used instead if the administrator wants to ensure that some traffic of all categories will get a chance to send.

Both priority queuing and custom queuing can be defined, but only one of them can be assigned to a given interface.

To configure priority and custom queuing for LAPB, perform the following tasks:

- 1 Perform the standard priority and custom queuing tasks *except* the task of assigning a priority or custom group to the interface, as described in the “Managing the System” chapter.
- 2 Perform the standard LAPB encapsulation tasks, as specified in the “Configure a LAPB Datagram Transport” section of this chapter.
- 3 Assign either a priority group or a custom queue to the interface, as described in the “Managing the System” chapter.

Note The **lapb hold-queue** command is no longer supported, but the same functionality is provided by the standard queue control command **hold-queue size out**.

Configure Transparent Bridging over Multiprotocol LAPB

To configure transparent bridging over multiprotocol LAPB, perform the following tasks beginning in global configuration mode:

Task	Command
Specify the serial interface and enter interface configuration mode.	interface serial <i>number</i> ¹
Assign no IP address to the interface.	no ip address ²
Configure multiprotocol LAPB encapsulation.	encapsulation lapb multi
Assign the interface to a bridge group.	bridge-group <i>bridge-group</i> ³
Define the type of spanning tree protocol.	bridge <i>bridge-group</i> protocol [ieee dec]

1. This command is documented in the “Interface Commands” chapter of the *Router Products Command Reference* publication.
2. This command is documented in the “IP Commands” chapter of the *Router Products Command Reference* publication.
3. This command is documented in the “Transparent Bridging Commands” chapter of the *Router Products Command Reference* publication.

Note This feature requires use of the **encapsulation lapb multi** command. You cannot use the **encapsulation lapb protocol** command with a **bridge** keyword to configure this feature.

For an example of configuring the transparent bridging over multiprotocol LAPB, see the section “Transparent Bridging for Multiprotocol LAPB Encapsulation Example” later in this chapter.

X.25 Configuration Task List

To configure X.25, complete the tasks in one or more of the following sections, depending upon the X.25 application or task required for your network. The interface, datagram transport, and routing tasks are divided into sections based generally on how common the feature is and how often it is used. Those features and parameters that are relatively uncommon are found in the “Additional” sections. LAPB frame parameters can be modified to optimize X.25 operation, as described earlier in this chapter.

- Configure an X.25 Interface
- Configure Additional X.25 Interface Parameters
- Modify LAPB Protocol Parameters
- Configure an X.25 Datagram Transport
- Configure Additional X.25 Datagram Transport Features
- Configure X.25 Routing
- Configure Additional X.25 Routing Features
- Configure CMNS Routing

- Configure DDN or BFE X.25
- Monitor and Maintain LAPB and X.25

All of these features can coexist on an X.25 interface.

Default parameters are provided for X.25 operation; however, you can change the settings to meet the needs of your X.25 network or as defined by your X.25 service supplier. We also provide additional configuration settings to optimize your X.25 usage.

Note If you connect a router to an X.25 network, use the parameters set by the network administrator for the connection; these parameters will typically be those described in the “Configure an X.25 Interface” and “Modify LAPB Protocol Parameters” sections. Also, note that the X.25 Level 2 parameters described earlier in this chapter affect X.25 Level 3 operations.

See the end of this chapter for examples of configuring X.25.

Configure an X.25 Interface

To configure an X.25 interface on the router, perform the tasks in the following sections:

- Set the X.25 Mode
- Set the Virtual Circuit Ranges
- Set the Packet Numbering Modulo
- Set the X.121 Address
- Set the Default Flow Control Values

These tasks describe the parameters that are essential for correct X.25 behavior. The first task is required. The others might be required or optional, depending on what the router is expected to do and on the X.25 network.

You can also configure other, less common parameters, as specified in the “Configure Additional X.25 Interface Parameters” section.

Set the X.25 Mode

A router using X.25 Level 3 encapsulation can act as a DTE or DCE protocol device (according to the needs of your X.25 service supplier), can use DDN or BFE encapsulation, or can use the IETF standard encapsulation, as specified by RFC 1356.

Because the default serial encapsulation is HDLC, you must explicitly configure an X.25 encapsulation method.

To configure the mode of operation and one of these encapsulation types for a specified interface, perform the following task in interface configuration mode:

Task	Command
Set X.25 mode of operation.	encapsulation x25 [dte dce] [[ddn bfe] [ietf]]

Typically a public data network will require attachment as a DTE. (This is distinct from the hardware interface DTE/DCE identity.)

The default mode of operation is DTE, and the default encapsulation method is Cisco's pre-IETF method. If either DDN or BFE operation is needed, it must be explicitly configured.

For an example of configuring X.25 DTE operation, see the section "Typical X.25 Configuration Example" later in this chapter.

Set the Virtual Circuit Ranges

The X.25 protocol maintains multiple connections over one physical link between a DTE and a DCE. These connections are called virtual circuits or logical channels (LCs). X.25 can maintain up to 4095 virtual circuits numbered 1 through 4095. An individual virtual circuit is identified by giving its logical channel identifier (LCI) or virtual circuit number (VCN). Many documents use the terms virtual circuit and LC, and VCN, LCN, and LCI interchangeably. Each of these terms refer to the virtual circuit number.

An important part of X.25 operation is the range of virtual circuit numbers. Virtual circuit numbers are broken into four ranges (listed here in numerically increasing order):

- 1 Permanent virtual circuits (PVCs)
- 2 Incoming-only circuits
- 3 Two-way circuits
- 4 Outgoing-only circuits

The incoming-only, two-way, and outgoing-only ranges define the virtual circuit numbers over which a switched virtual circuit (SVC) can be established by placing an X.25 call, much like a telephone network establishes a switched voice circuit when a call is placed.

The rules about DCE and DTE devices initiating calls are as follows:

- Only the DCE device can initiate a call in the incoming-only range.
- Only the DTE device can initiate a call in the outgoing-only range.
- Both the DCE device and the DTE device can initiate a call in the two-way range.

(The ITU-T Recommendation defines "incoming" and "outgoing" in relation to the DTE/DCE interface role; Cisco's documentation uses the more intuitive sense. Unless the ITU-T sense is explicitly referenced, a call received from the interface is an incoming call and a call sent out the interface is an outgoing call.)

There is no difference in the operation of the SVCs except the restrictions on which a device can initiate a call. These ranges can be used to prevent one side from monopolizing the virtual circuits, which can be useful for X.25 interfaces with a small total number of SVCs available.

Six X.25 parameters define the upper and lower limit of each of the three SVC ranges. A PVC must be assigned a number less than the numbers assigned to the SVC ranges. An SVC range is not allowed to overlap another range.

Note Because the X.25 protocol requires the DTE and DCE to have identical virtual circuit ranges, if the interface is up, changes to the virtual circuit range limits will be held until the X.25 protocol RESTARTs the packet service.

To configure X.25 virtual circuit ranges, complete the following tasks:

Task	Command	Default
Set the lowest incoming-only circuit number.	x25 lic limit	0
Set the highest incoming-only circuit number.	x25 hic limit	0
Set the lowest two-way circuit number.	x25 ltc limit	1
Set the highest two-way circuit number.	x25 htc limit	1024 (serial) 4095 (CMNS)
Set the lowest outgoing-only circuit number.	x25 loc limit	0
Set the highest outgoing-only circuit number.	x25 hoc limit	0

Each of these parameters can range from 1 to 4095, inclusive. Note that the values for these parameters must be the same on both ends of an X.25 link. For connection to a public data network (PDN), these values must be set to the values assigned by the network. An SVC range is unused if its lower and upper limits are set to 0; other than this use for marking unused ranges, virtual circuit 0 is not available.

For an example of configuring virtual circuit ranges, see the section “Virtual Circuit Ranges Example” later in this chapter.

Set the Packet Numbering Modulo

Our implementation of X.25 supports both modulo 8 and modulo 128 packet sequence numbering; modulo 8 is the default. To set the packet numbering modulo, perform the following task in interface configuration mode:

Task	Command
Set the packet numbering modulo (the default is 8).	x25 modulo {8 128}

Note Because the X.25 protocol requires the DTE and DCE to have identical modulus, if the interface is up, changes to the modulo will be held until the X.25 protocol restarts the packet service.

The X.25 modulo and the LAPB modulo are distinct, and each serves a different purpose. LAPB modulo 128 (or extended mode) can be used to achieve higher throughput across the DTE/DCE interface; it only affects the local point of attachment. X.25 PLP modulo 128 can be used to achieve higher end-to-end throughput for virtual circuits by allowing more data packets to be in-transit through the X.25 network.

Set the X.121 Address

If your router does not originate or terminate Calls but only participates in X.25 switching, this task is optional. However, if the router is attached to a PDN, you must set the interface X.121 address assigned by the X.25 network service provider. Interfaces that use the DDN or BFE mode will have an X.121 address generated from the interface IP address; for correct DDN or BFE operation, any such X.121 address must not be modified.

To set the X.121 address, perform the following task in interface configuration mode:

Task	Command
Set the X.121 address.	x25 address <i>x.121-address</i>

For an example of configuring the X.25 interface address, see the section “Typical X.25 Configuration Example” later in this chapter.

Set the Default Flow Control Values

Setting correct default flow control parameters (window size and packet size) is essential for correct operation of the link because X.25 is a strongly flow controlled protocol. However, it is easy to overlook this task because many networks use standard default values. Mismatched default flow control values will cause X.25 local procedure errors, evidenced by CLEAR and RESET events.

To configure flow control parameters, complete the tasks in the following sections. These tasks are optional if your X.25 attachment uses the standard default values for maximum packet sizes (128 bytes incoming and outgoing) and window sizes (two packets incoming and outgoing).

- Set Default Window Sizes
- Set Default Packet Sizes

Note Because the X.25 protocol requires the DTE and DCE to have identical default maximum packet sizes and default window sizes, changes made to the window and packet sizes when the interface is up will be held until the X.25 protocol RESTARTs the packet service.

Set Default Window Sizes

X.25 networks have a default input and output window size that is defined by the network administrator. You must set the router default input and output window sizes to match those of the network. These defaults are the values that are assumed if an SVC is set up without explicitly negotiating its window sizes. Any PVC also assumes these default values unless different values are configured. To set the default window sizes (default is 2), perform the following tasks in interface configuration mode:

Task	Command
Set the default virtual circuit receive window size.	x25 win <i>packets</i>
Set the default virtual circuit transmit window size.	x25 wout <i>packets</i>

For an example of setting the default window sizes, see the sections “Typical X.25 Configuration Example” and “DDN X.25 Configuration Example” later in this chapter.

Set Default Packet Sizes

X.25 networks have a default maximum input and output packet size (default is 128) that is defined by the network administrator. You must set the router default input and output maximum packet sizes to match those of the network. These defaults are the values that are assumed if an SVC is set up

without explicitly negotiating its maximum packet sizes. Any PVC will also assume these default values unless different values are configured. To set the router default input and output maximum packet sizes, perform the following tasks in interface configuration mode:

Task	Command
Set the default input maximum packet size.	x25 ips <i>bytes</i>
Set the default output maximum packet size.	x25 ops <i>bytes</i>

To send a packet larger than the agreed X.25 packet size over an X.25 virtual circuit, a router must break the packet into two or more X.25 packets with the M-bit (“more data” bit) set. The receiving device collects all packets in the M-bit sequence and reassembles them into the original packet.

It is possible to define default packet sizes that cannot be supported by the lower layer (see the LAPB N1 parameter). However, the router will negotiate lower maximum packet sizes for all SVCs so the agreed sizes can be carried. The router will also refuse a PVC configuration if the resulting maximum packet sizes cannot be supported by the lower layer.

For an example of setting the default maximum packet sizes, see the sections “Typical X.25 Configuration Example” and “DDN X.25 Configuration Example” later in this chapter.

Configure Additional X.25 Interface Parameters

Some X.25 applications have less common or special needs. Several X.25 parameters are available to modify the X.25 protocol behavior for these applications.

To configure less common X.25 interface parameters for these special needs, perform the tasks in the following sections, as needed:

- Configure the X.25 Level 3 Timers
- Configure X.25 Addresses
- Establish a Default Virtual Circuit Protocol
- Disable Packet-Level Protocol Restarts

Configure the X.25 Level 3 Timers

The X.25 Level 3 retransmission timers determine how long the router will wait for acknowledgment of control packets. You can set these timers independently. Only those timers that apply to the interface are configurable. (A DTE interface does not have the T1x timers, and a DCE interface does not have the T2x timers.)

To set the retransmission timers, perform any of the following tasks in interface configuration mode:

Task	Command
Set DTE T20 Restart Request.	x25 t20 <i>seconds</i>
Set DCE T10 Restart Indication.	x25 t10 <i>seconds</i>
Set DTE T21 Call Request.	x25 t21 <i>seconds</i>
Set DCE T11 Incoming Call.	x25 t11 <i>seconds</i>
Set DTE T22 Reset Request.	x25 t22 <i>seconds</i>
Set DCE T12 Reset Indication.	x25 t12 <i>seconds</i>
Set DTE T23 Clear Request.	x25 t23 <i>seconds</i>

Task	Command
Set DCE T13 Clear Indication.	<code>x25 t13 seconds</code>

For an example of setting the retransmission timers, see the section “DDN X.25 Configuration Example” later in this chapter.

Configure X.25 Addresses

When establishing SVCs, X.25 uses address in the form defined by the ITU-T *Recommendation X.121* (or simply an “X.121 address”). An X.121 address has zero to 15 digits. Because of the importance of addressing to call setup, several interface addressing features are available for X.25.

To configure X.25 addresses, perform the tasks in the following sections:

- Understand Normal X.25 Addressing
- Understand X.25 Subaddresses
- Configure an Interface Alias Address
- Suppress or Replace the Calling Address
- Suppress the Called Address

Understand Normal X.25 Addressing

An X.25 interface’s X.121 address is used when it is the source or destination of an X.25 call. The X.25 call setup procedure identifies both the calling (source) and the called (destination) X.121 addresses. When an interface is the source of a call, it encodes the interface X.121 address as the source address. An interface determines that it is the destination of a received call if the destination address matches the interface’s address.

Cisco’s X.25 can also route X.25 calls, which involves placing and accepting calls, but the router is neither the source nor the destination for these calls. Routing X.25 does not modify the source or destination addresses, thus preserving the addresses specified by the source host. Routed (switched) X.25 simply connects two logical X.25 channels to complete an X.25 virtual circuit. An X.25 virtual circuit, then, is a connection between two hosts (the source host and the destination host) that is switched between zero or more routed X.25 links.

The null X.121 address (the X.121 address that has zero digits) is a special case. The router will assume that it is the destination host for any call it receives that has the null destination address.

Understand X.25 Subaddresses

A subaddress is an X.121 address that matches the digits defined for the interface’s X.121 address, but has one or more additional digits after the base address. X.25 will act as the destination host for an incoming PAD call that specifies a destination that is a subaddress of the interface’s address; the trailing digits specify which line a PAD connection is requesting. This feature is described in the *Protocol Translation Configuration Guide and Command Reference* publication. Other calls that use a subaddress can be accepted if the trailing digit or digits are zeros; otherwise the router will not act as the call’s destination host.

Configure an Interface Alias Address

You can supply alias X.121 addresses for an interface. This allows the interface to act as the destination host for calls that have a destination address that is neither the interface's address, an allowed subaddress of the interface, nor the null address.

Local processing (for example, IP encapsulation) can be performed only for incoming calls whose destination X.121 address matches the serial interface or alias of the interface.

To configure an alias, perform the following task in global configuration mode:

Task	Command
Supply an alias X.121 address for the interface.	x25 route [#position] x121-address-pattern [cud pattern] alias type number

Suppress or Replace the Calling Address

Some attachments require that no calling (source) address be presented in outgoing calls; this is called *suppressing* the calling address.

When attached to a Public Data Network, X.25 may need to ensure that outgoing calls only use the assigned X.121 address for the calling (source) address. Routed X.25 will normally use the original source address. Although individual X.25 route configurations can modify the source address, we provide a simple command to force the use of the interface address in all calls sent; this is called *replacing* the calling address.

To suppress or replace the calling address, perform the appropriate task in interface configuration mode:

Task	Command
Suppress the calling (source) X.121 address in outgoing calls.	x25 suppress-calling-address
Replace the calling (source) X.121 address in switched calls.	x25 use-source-address

Suppress the Called Address

Some attachments require that no called (destination) address be presented in outgoing calls; this is called *suppressing* the called address.

To suppress the called address, perform the following task in interface configuration mode:

Task	Command
Suppress the called (destination) X.121 address in outgoing calls.	x25 suppress-called-address

Establish a Default Virtual Circuit Protocol

The Call Request packet that sets up a virtual circuit can encode a field called the Call User Data (CUD) field. Typically the first few bytes of Call User Data identify which high-level protocol will be carried by the virtual circuit. The router, when acting as a destination host, normally refuses a call if the Call User Data is absent or the protocol identification isn't recognized. The PAD protocol, however, specifies that unidentified calls be treated as PAD connection requests. Other applications

require they be treated as IP encapsulation connection requests, per RFC 877. To configure either PAD or IP encapsulation treatment of unidentified calls, perform the following task in interface configuration mode:

Task	Command
Establish a default virtual circuit protocol.	x25 default {ip pad}

Disable Packet-Level Protocol Restarts

By default, a PLP protocol restart is performed when the link level resets (for example, when LAPB reconnects). This behavior can be disabled for those few networks that do not allow it, but disabling this behavior is not recommended because it can cause anomalous packet layer behavior. To disable packet-level protocol restarts, perform the following task in interface configuration mode:

Task	Command
Disable packet-level restarts.	no x25 linkrestart

Modify LAPB Protocol Parameters

X.25 Level 2 or LAPB operates at the data link layer of the OSI reference model. LAPB specifies methods for exchanging data (in units called *frames*), detecting out-of-sequence or missing frames, retransmitting frames, and acknowledging frames. Several protocol parameters can be modified to change LAPB protocol performance on a particular link. Because X.25 operates the PLP on top of the LAPB protocol, these tasks apply to both X.25 links and LAPB links. The parameters and their default values are summarized in Table 13-2.

Table 13-2 LAPB Parameters

Task (LAPB Parameter)	Command	Values or Ranges	Default
Set the modulo.	lapb modulo <i>modulus</i>	8 or 128	8
Set the window size (k).	lapb k <i>window-size</i>	1– (modulo minus 1) frames	7
Set maximum bits per frame (N1).	lapb n1 <i>bits</i>	1088–32840 bits (must be a multiple of 8)	Based on hardware MTU and protocol overhead
Set count for sending frames (N2).	lapb n2 <i>tries</i>	1–255 tries	20
Set the retransmission timer (T1).	lapb t1 <i>milliseconds</i>	1–64000 milliseconds	3000
Set the hardware outage period.	lapb interface-outage <i>milliseconds</i>		0 (disabled)
Set the idle link period (T4).	lapb t4 <i>seconds</i>		0 (disabled)

The LAPB modulo determines the operating mode. Modulo 8 (basic mode) is widely available, because it is required for all standard LAPB implementations and is sufficient for most links. Modulo 128 (extended mode) can achieve greater throughput on high-speed links that have a low error rate (some satellite links, for example) by increasing the number of frames that can be transmitted before waiting for acknowledgment (as configured by the LAPB window parameter, k).

By its design, LAPB's k parameter can be at most one less than the operating modulo. Modulo 8 links can typically send seven frames before an acknowledgment must be received; modulo 128 links can set k to a value as large as 127. By default, LAPB links use the basic mode with a window of 7.

When connecting to an X.25 network, use the $N1$ parameter value set by the network administrator. This value is the maximum number of bits in a LAPB frame, which determines the maximum size of an X.25 packet. When using LAPB over leased lines, the $N1$ parameter should be eight times the hardware maximum transmission unit (MTU) size plus any protocol overhead.

The transmit counter ($N2$) is the number of unsuccessful transmit attempts will be made before the link is declared down.

The retransmission timer ($T1$) determines how long a transmitted frame can remain unacknowledged before the router polls for an acknowledgment. For X.25 networks, the router retransmission timer setting should match that of the network.

For leased-line circuits, the $T1$ timer setting is critical because the design of LAPB assumes that a frame has been lost if it is not acknowledged within period $T1$. The timer setting must be large enough to permit a maximum-sized frame to complete one round trip on the link. If the timer setting is too small, the router will poll before the acknowledgment frame can return, which may result in duplicated frames and severe protocol problems. If the timer setting is too large, the router waits longer than necessary before requesting an acknowledgment, which reduces bandwidth.

The LAPB standards define a timer to detect un signaled link failures ($T4$). The $T4$ timer is reset every time a frame is received from the partner on the link. If the $T4$ timer expires, a Receiver Ready frame with the Poll bit set is sent to the partner, which is required to respond. If the partner does not respond, the standard polling mechanism is used to determine whether the link is down. The period of $T4$ must be greater than the period of $T1$.

Another LAPB timer function allows brief hardware failures, while the protocol is up, without requiring a protocol reset. If a brief hardware outage occurs, the link will continue uninterrupted if the outage is cured before the specified hardware outage period expires.

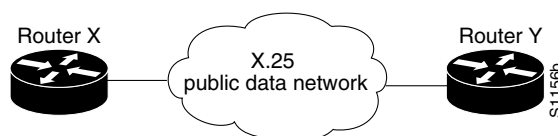
For an example of configuring the LAPB $T1$ timer, see the section "Typical LAPB Configuration Example" later in this chapter.

Configure an X.25 Datagram Transport

X.25 support is most commonly configured as a transport for datagrams across an X.25 network. Datagram transport (or *encapsulation*) is a cooperative effort between two hosts across an X.25 network. This is configured by establishing a mapping on the encapsulating interface between the far host's protocol address (for example, IP or DECnet) and its X.121 address. The Call identifies the protocol that the virtual circuit will carry (in the Call User Data field), so the terminating host can accept the Call if it is configured to exchange the identified traffic with the source host.

Figure 13-1 illustrates two routers sending datagrams across an X.25 public data network.

Figure 13-1 Transporting LAN Protocols across an X.25 Public Data Network



Perform the tasks in the following sections, as necessary, to complete the X.25 configuration for your network needs:

- Configure Subinterfaces
- Map Protocol Addresses to X.121 Addresses
- Establish an Encapsulation PVC
- Set X.25 TCP Header Compression
- Configure X.25 Bridging

The following sections describe how to perform these configuration tasks. Configuring the X.25 parameters and special features, including TCP header compression and X.25 bridging, are described in the section “Configure Additional X.25 Datagram Transport Features” later in this chapter.

Configure Subinterfaces

Subinterfaces are virtual interfaces that can be used to connect several networks to each other through a single physical interface. Subinterfaces are made available on our routers because routing protocols, especially those using the split horizon principle, may need help to determine which hosts need a routing update. The split horizon principle, which allows routing updates to be distributed to other routed interfaces except the interface on which the routing update was received, works well in a LAN environment in which other routers reached by the interface have already received the routing update.

However, in a WAN environment using connection-oriented interfaces (like X.25 and Frame Relay), other routers reached by the same physical interface might not have received the routing update. Rather than forcing network administrators to connect routers by separate physical interfaces, we provide subinterfaces that are treated as separate interfaces. A network administrator can separate hosts into subinterfaces of a physical interface, the X.25 protocol is unaffected, and routing processes see each subinterface as a separate source of routing updates, so all subinterfaces are eligible to receive routing updates.

Point-to-Point and Multipoint Subinterfaces

There are two types of subinterfaces: point-to-point and multipoint. Subinterfaces are implicitly multipoint, unless configured as point-to-point.

A point-to-point subinterface is used to encapsulate one or more protocols between two hosts. An X.25 point-to-point subinterface will accept only a single encapsulation command (such as **x25 map** or **x25 pvc**) for a given protocol (though you can use multiple encapsulation commands, one for each protocol, or multiple protocols for one map or PVC), so there can be only one destination for the protocol. All protocol traffic routed to a point-to-point subinterface will be forwarded to the one destination host defined for the protocol. (Because only one destination is defined for the interface, the routing process does not even have to consult the destination address in the datagrams.)

A multipoint subinterface is used to connect one or more hosts for a given protocol. There is no restriction on the number of encapsulation commands that can be configured on a multipoint subinterface. Because the hosts appear on the same subinterface, they are not relying on the router to distribute routing updates between them. When a routing process forwards a datagram to a multipoint subinterface, the X.25 encapsulation process must be able to map the datagram’s destination address to a configured encapsulation command. If the routing process cannot find a map for the datagram destination address, the encapsulation will fail.

Note Because of the complex operations dependent on a subinterface and its type, the router will not allow a subinterface's type to be changed, nor can a subinterface with the same number be established again once it has been deleted. Once a subinterface has been deleted, it takes a reload to remove all internal references. However, the deleted subinterface can be easily reconstituted using a different subinterface number.

Creating and Configuring X.25 Subinterfaces

To create and configure a subinterface, complete the following tasks in interface configuration mode:

Task	Command
Create a point-to-point or multipoint subinterface.	interface serial <i>number.subinterface-number</i> [point-to-point multipoint] ¹
Configure an X.25 encapsulation map for the subinterface.	x25 map <i>protocol address [protocol2 address2 [... [protocol9 address9]]] x.121-address [option]</i>
or	
Establish an encapsulation PVC for the subinterface.	x25 pvc <i>circuit protocol address [protocol2 address2 [...[protocol9 address9]]] x.121-address [option]</i>
or do both.	

1. This command is documented in the "Interface Commands" chapter of the *Router Products Command Reference* publication.

For an example of configuring an X.25 subinterface and using multiple encapsulation commands for a single destination address, see the "Point-to-Point Subinterface Configuration Example" section later in this chapter. For more general information about configuring subinterfaces, refer to the "Configuring Interfaces" chapter of this manual.

Note When configuring IP routing over X.25, you might need to make adjustments to accommodate split horizon effects. Refer to the "Configuring IP Routing Protocols" chapter of this manual for details about how the router handles possible split horizon conflicts. By default, split horizon is *enabled* for X.25 networks.

Map Protocol Addresses to X.121 Addresses

This section describes the X.25 single-protocol and multiprotocol encapsulation options that are available and describes how to map protocol addresses to an X.121 address for a remote host. This section also includes reference information about how protocols are identified.

Protocol Encapsulation for Single-Protocol and Multiprotocol Virtual Circuits

We have long supported encapsulation of a number of datagram protocols across X.25, using a standard method when available, or a proprietary method when necessary. These traditional methods assign a protocol to each virtual circuit. If more than one protocol is carried between the router and a given host, each active protocol will have at least one virtual circuit dedicated to carrying its datagrams.

We also support a newer standard, RFC 1356, which standardizes a method for encapsulating most datagram protocols over X.25. It also specifies how one virtual circuit can carry datagrams from more than one protocol.

A router can be configured to use any of the available encapsulation methods with a particular host.

Once an encapsulation virtual circuit is established using any method, sending and receiving a datagram is a simple process of fragmenting and reassembling the datagram into and from an X.25 complete packet sequence. An X.25 complete packet sequence is one or more X.25 data packets that have the More bit set in all but the last packet. A virtual circuit that can carry multiple protocols includes protocol identification data as well as the protocol data at the start of each complete packet sequence.

Protocol Identification

This section contains background material only.

The various methods and protocols used in X.25 SVC encapsulation are identified in a specific field of the call packet; this field is defined by X.25 to carry Call User Data (CUD). Only PVCs do not use Call User Data to identify its encapsulation (since PVCs do not use the X.25 call setup procedures).

The primary difference between the available Cisco and IETF encapsulation methods is the specific value used to identify a protocol. When any of the methods establishes a virtual circuit for carrying a single protocol, the protocol is identified in the call packet by using the CUD. When a virtual circuit is established to carry more than one protocol (only available using the RFC 1356 methodology), a protocol identification field precedes the datagram encapsulated in the X.25 data packet; every datagram exchanged over that virtual circuit has its protocol identified.

Table 13-3 summarizes the values used in the Call User Data field to identify protocols.

Table 13-3 Protocol Identification in the Call User Data Field

Protocol	Cisco Protocol Identifier	IETF RFC 1356 Protocol Identifier
Apollo Domain	0xD4	0x80 (5-byte SNAP encoding) ¹
AppleTalk	0xD2	0x80 (5-byte SNAP encoding)
Banyan VINES	0xC0 00 80 C4 ²	0x80 (5-byte SNAP encoding)
Bridging	0xD5	(Not implemented)
ISO CLNS	0x81	0x81 ³
Compressed TCP	0xD8	0x00 (5-byte SNAP encoding) ⁴
DECnet	0xD0	0x80 (5-byte SNAP encoding)
IP	0xCC	0xCC ⁵ or 0x80 (5-byte SNAP encoding)
Novell IPX	0xD3	0x80 (5-byte SNAP encoding)
PAD	0x01 ⁶	0x01 ⁶
QLLC	0xC3	(Not available)
XNS	0xD1	0x80 (5-byte SNAP encoding)
Multiprotocol	(Not available)	0x00

1. SNAP encoding is defined from the Assigned Numbers RFC; Cisco's implementation recognizes only the IETF OUI 0x00 00 00 followed by a two-byte Ethernet protocol type.

2. The use of 0xC0 00 80 C4 for Banyan VINES is defined by Banyan.

3. The use of 0x81 for CLNS is compatible with ISO/IEC 8473-3:1994.

4. Compressed TCP traffic has two types of datagrams, so IETF encapsulation requires a multiprotocol virtual circuit.

5. The use of 0xCC for IP is backwards-compatible with RFC 877.
6. The use of 0x01 for PAD is defined by ITU-T Recommendation X.29.

Once a multiprotocol virtual circuit has been established, datagrams on the virtual circuit have protocol identification data before the actual protocol data; the protocol identification values are the same used by RFC 1356 in the CUD field for an individual protocol.

Note IP datagrams can be identified using a 1-byte identification (0xCC) or a 6-byte identification (0x80 followed by the 5-byte SNAP encoding). The 1-byte encoding is used by default, although the SNAP encoding can be configured.

Map Datagram Addresses to X.25 Hosts

Encapsulation is a cooperative process between the router and another X.25 host. Since X.25 hosts are reached using an X.121 address (an X.121 address has between 0 and 15 decimal digits), the router must have a means to map a host's protocols and addresses to its X.121 address.

Each encapsulating X.25 interface should be configured with the relevant datagram parameters. For example, an interface that encapsulates IP will typically have an IP address.

A router set up for DDN or BFE service uses a dynamic mapping technique to convert between IP and X.121 addresses. These techniques have been designed specifically for attachment to the DDN network and to Blacker encryption equipment. Their design, restrictions, and operation make them work well for these specific applications, but not for other networks.

You should also establish the X.121 address of an encapsulating X.25 interface using the **x25 address** interface configuration command. This is the address that encapsulation calls should be directed to. It will also be used as the source X.121 address when originating an encapsulation call, which is how the destination host will be able to map the source host and protocol to the protocol address; thus an encapsulation virtual circuit must be mapped at both the source and destination host interfaces. A DDN or BFE interface will have an X.121 address generated from the interface IP address, which for proper operation, should not be modified.

For each X.25 interface, you must explicitly map each destination host's protocols and addresses to its X.121 address. If needed and the destination host has the capability, one host map can be configured to support several protocols; alternatively, you can define one map for each supported protocol.

To establish a map, perform the following task in interface configuration mode:

Task	Command
Map one or more host protocol addresses to the host's X.121 address.	x25 map <i>protocol address [protocol2 address2[...[protocol9 address9]]]</i> <i>x.121-address [option]</i>

As an example, if you are encapsulating IP over a given X.25 interface, you should define an IP address for the interface and, for each of the desired destination hosts, map the host's IP address to its X.121 address.

Note You can map an X.121 address to as many as nine protocol addresses, but each protocol can be mapped only once in the command line.

An individual host map can use the given keyword to specify the following protocols:

- **apollo**—Apollo Domain
- **appletalk**—AppleTalk
- **bridge**—Bridging
- **clns**—OSI Connectionless Network Service
- **compressedtcp**—TCP header compression
- **decnet**—DECnet
- **ip**—IP
- **ipx**—Novell IPX
- **pad**—Packet Assembler/Disassembler
- **qllc**—IBM's QLLC
- **vines**—Banyan VINES
- **xns**—XNS

Each mapped protocol takes a datagram address except bridging (all bridged datagrams are sent to all bridge maps on an interface) and CLNS (which uses the mapped X.121 address as the SNPA, which is referenced by a `clns neighbor` command); the configured datagram protocol(s) and their relevant address are mapped to the destination host's X.121 address. All protocols that are supported for RFC 1356 operation can be specified in a single map (bridging and QLLC are not supported for RFC 1356 encapsulation). If IP and TCP header compression are both specified, the same IP address must be given for both protocols.

When setting up the address map, you can include options, such as enabling broadcasts and specifying the number of virtual circuits allowed, and defining various user facility settings.

Note Multiprotocol maps, especially those configured to carry broadcast traffic, can result in significantly larger traffic loads, requiring a larger hold queue, larger window sizes, or multiple virtual circuits.

For specific information about how to establish a protocol to run over X.25, refer to the appropriate protocol chapters in this publication or in the *Router Products Command Reference* publication.

The configuration for the Open Shortest Path First (OSPF) protocol can be greatly simplified by adding the optional **broadcast** keyword. See the **x25 map** command description in the "X.25 and LAPB Commands" chapter of the *Router Products Command Reference* publication for more information.

Configure PAD Access

By default, packet assembler/disassembler (PAD) connection attempts are processed for session creation or protocol translation (subject to the configuration of those functions) from all hosts. To restrict PAD connections to only statically mapped X.25 hosts, perform the following tasks in interface configuration mode:

Task	Command
Restrict PAD access.	x25 pad-access
Configure a host for PAD access.	x25 map pad <i>x.121-address</i> [option]

You can configure outgoing PAD access using the optional features of the **x25 map pad** command without restricting incoming PAD connections to the configured hosts.

Establish an Encapsulation PVC

Permanent virtual circuits (PVCs) are the X.25 equivalent of leased lines; they are never disconnected. You no longer need to configure an address map before defining a PVC; an encapsulation PVC implicitly defines a map.

To establish a PVC, perform the following task in interface configuration mode:

Task	Command
Set a encapsulation PVC.	x25 pvc <i>circuit protocol address</i> [<i>protocol2 address2</i> [...[<i>protocol9 address9</i>]]] <i>x.121-address</i> [option]

The **x25 pvc** command uses the same protocol keywords as the **x25 map** command. See the “Map Datagram Addresses to X.25 Hosts” section of this chapter for a list of protocol keywords. Encapsulation PVCs also use a subset of the options defined for the **x25 map** command.

For an example of configuring a PVC, see the section “PVC Used to Exchange IP Traffic Example” later in this chapter.

Set X.25 TCP Header Compression

We support RFC 1144 TCP/IP header compression (THC) on serial lines using HDLC and X.25 encapsulation. THC encapsulation is only slightly different from other encapsulation traffic, but these differences are worth noting. The implementation of compressed TCP over X.25 uses one virtual circuit to pass the compressed packets. Any IP traffic (including standard TCP) is separate from TCH traffic; it will be carried over separate IP encapsulation virtual circuits or identified separately in a multiprotocol virtual circuit.

To set up a separate virtual circuit for X.25 TCP header compression, perform the following task in interface configuration mode:

Task	Command
Allow a separate virtual circuit for compressed packets.	x25 map compressedtcp <i>ip-address</i> [<i>protocol2 address2</i> [...[<i>protocol9 address9</i>]]] <i>x.121-address</i> [option]

Configure X.25 Bridging

Our transparent bridging software supports bridging over X.25 virtual circuits. Bridging is not supported for RFC 1356 operation. Bridge maps should include the **broadcast** option for correct operation,

To enable the X.25 bridging capability, perform the following task in interface configuration mode:

Task	Command
Define bridging of X.25 frames.	x25 map bridge <i>x.121-address</i> broadcast [<i>option</i>]

Configure Additional X.25 Datagram Transport Features

The router software allows you to configure additional X.25 datagram transport features, including various user facilities defined for X.25 call setup.

This section describes the X.25 datagram transport features you can configure; these features are configured using the option field in the **x25 map** or **x25 pvc** encapsulation commands (or by setting an interface default). Which tasks you perform depends upon your needs, the structure of your network and the requirements of the service provider

To configure the optional parameters, user facilities, and special features, perform one or more of the tasks described in the following sections:

- Configure X.25 Payload Compression
- Configure the Encapsulation Virtual Circuit Idle Time
- Increase the Number of Virtual Circuits Allowed
- Configure the Ignore Destination Time
- Establish the Packet Acknowledgment Policy
- Configure X.25 User Facilities
- Define the Virtual Circuit Packet Hold Queue Size
- Restrict Map Usage

Configure X.25 Payload Compression

For increased efficiency on relatively slow networks, our routers support X.25 payload compression of outgoing encapsulation traffic.

Several restrictions apply to X.25 payload compression:

- The compressed virtual circuit must connect two Cisco routers, because X.25 payload compression is not standardized.

The data packets conform to the X.25 protocol rules, so a compressed virtual circuit can be switched through standard X.25 equipment, but only Cisco routers can compress and de-compress the data.

- Only datagram traffic can be compressed, although all of the encapsulation methods supported by Cisco routers are available (for example, an IETF multiprotocol virtual circuit can be compressed).

Switched virtual circuits can not be translated between compressed and non-compressed data, nor can PAD data be compressed.

- X.25 payload compression should be applied carefully.

Each compressed virtual circuit requires significant memory resources (for a dictionary of learned data patterns) and computation resources (every data packet received is decompressed and every data packet sent is compressed). Excessive use of compression can cause unacceptable overall router performance.

- X.25 compression must be explicitly configured for a map command.

A received Call that specifies compression will be rejected if the corresponding host map does not specify the **compress** option. An incoming Call that does not specify compression can, however, be accepted by a map that specifies compression.

To enable payload compression over X.25, perform the following task in interface configuration mode:

Task	Command
Enable payload compression over X.25.	x25 map <i>protocol address</i> [<i>protocol2 address2</i> [... <i>[protocol9 address9]</i>]] <i>x.121-address</i> compress

This command specifies that X.25 compression is to be used between the two hosts. Because each virtual circuit established for compressed traffic uses significant amounts of memory, compression should be used with careful consideration of its impact on the router's performance.

The **compress** option may be specified for an encapsulation PVC.

Configure the Encapsulation Virtual Circuit Idle Time

The router can clear a datagram transport SVC after a set period of inactivity. PAD and routed SVCs are not timed for inactivity. You can set this time by performing the following task in interface configuration mode:

Task	Command
Set an idle time for clearing encapsulation.	x25 idle <i>minutes</i>
Specify an idle time for clearing a map's SVCs.	x25 map <i>protocol address</i> [<i>protocol2 address2</i> [... <i>[protocol9 address9]</i>]] <i>x.121-address</i> idle <i>minutes</i>

For an example of configuring the SVC idle timer, see the section "Typical X.25 Configuration Example" later in this chapter. See the section "Monitor and Maintain LAPB and X.25" later in this chapter for additional commands that clear virtual circuits.

Increase the Number of Virtual Circuits Allowed

For X.25 datagram transport, you can establish up to eight switched virtual circuits to one host for each map. To increase the number of virtual circuits allowed, perform one or both of the following tasks in interface configuration mode:

Task	Command
Specify the default maximum number of SVCs that can be open simultaneously to one host for each map.	x25 nvc <i>count</i>
Specify the maximum number of SVCs allowed for a map.	x25 map <i>protocol address</i> [<i>protocol2 address2</i> [... <i>[protocol9 address9]</i>]] <i>x.121-address</i> nvc <i>count</i>

For an example of increasing the number of virtual circuits allowed, see the sections “Typical X.25 Configuration Example” and “DDN X.25 Configuration Example” later in this chapter.

Configure the Ignore Destination Time

Upon receiving a Clear for an outstanding datagram transport Call Request, the X.25 encapsulation code immediately tries another Call Request if it has more traffic to send. This action can overrun some X.25 switches. To define the number of minutes the router will prevent calls from going to a previously failed destination, perform the following task in interface configuration mode (incoming calls will still be accepted):

Task	Command
Configure the ignore destination time.	x25 hold-vc-timer <i>minutes</i>

Establish the Packet Acknowledgment Policy

You can instruct the router to send an acknowledgment packet when it has received a threshold of data packets it has not acknowledged, instead of waiting until its input window is full. A value of 1 will send an acknowledgment for each data packet received if it cannot be acknowledged in an outgoing data packet. This approach improves line responsiveness at the expense of bandwidth. A value of 0 restores the default behavior of waiting until the input window is full.

To establish the acknowledgment threshold, perform the following task in interface configuration mode:

Task	Command
Establish the threshold at which to acknowledge data packets.	x25 th <i>delay-count</i>

The packet acknowledgment threshold also applies to encapsulation PVCs.

Configure X.25 User Facilities

The X.25 software provides commands to support X.25 user facilities—options specified by the creators of the X.25 Recommendation—that allow you to implement features such as accounting, user identification, and flow control negotiation. You can choose to configure facilities on a per-map basis or on a per-interface basis. In the following table, the **x25 map** commands configure facilities on a per-map basis; the **x25 facility** commands specify the values sent for all encapsulation calls originated by the interface. Routed calls are not affected by the facilities specified for the outgoing interface.

To set the supported X.25 user facilities, perform one or more of the following tasks in interface configuration mode:

Task	Command
Select closed user group.	x25 facility cug <i>number</i> or x25 map <i>protocol address [protocol2 address2 [...[protocol9 address9]]] x.121-address</i> cug <i>number</i>

Task	Command
Set flow control parameter negotiation values to request on outgoing calls.	x25 facility packetsize <i>in-size out-size</i> or x25 map <i>protocol address [protocol2 address2 [...[protocol9 address9]]] x.121-address packetsize in-size out-size</i> x25 facility windowsize <i>in-size out-size</i> or x25 map <i>protocol address [protocol2 address2 [...[protocol9 address9]]] x.121-address windowsize in-size out-size</i>
Set reverse charging.	x25 facility reverse or x25 map <i>protocol address [protocol2 address2 [...[protocol9 address9]]] x.121-address reverse</i>
Allow reverse charging acceptance.	x25 accept-reverse or x25 map <i>protocol address [protocol2 address2 [...[protocol9 address9]]] x.121-address accept-reverse</i>
Select throughput class negotiation.	x25 facility throughput <i>in out</i> or x25 map <i>protocol address [protocol2 address2 [...[protocol9 address9]]] x.121-address throughput in out</i>
Select transit delay.	x25 facility transit-delay <i>number</i> or x25 map <i>protocol address [protocol2 address2 [...[protocol9 address9]]] x.121-address transit-delay number</i>
Set the Recognized Private Operation Agency (RPOA) to use.	x25 facility rpoa <i>name</i> or x25 map <i>protocol address [protocol2 address2 [...[protocol9 address9]]] x.121-address rpoa name</i>
Set the Cisco standard network user identification.	x25 map <i>protocol address [protocol2 address2 [...[protocol9 address9]]] x.121-address nuid username password</i>
Set a user-defined network user identification allowing format determined by the network administrator.	x25 map <i>protocol address [protocol2 address2 [...[protocol9 address9]]] x.121-address nudata string</i>

The **window**size and **packetsize** options are supported for PVCs, although they have a slightly different meaning since PVCs do not use the call setup procedure. If the PVC does not use the interface defaults for the flow control parameters, these options must be used to specify the values. Not all networks will allow a PVC to be defined with arbitrary flow control values.

Additionally, the D-bit is supported, if negotiated. PVCs allow the D-bit procedure since there is no call setup to negotiate its use. Both restricted and unrestricted fast select are also supported and are transparently handled by the software. No configuration is required for use of the D-bit or fast select facilities.

Define the Virtual Circuit Packet Hold Queue Size

To define the maximum number of packets that can be held while a virtual circuit is unable to send data, perform the following task in interface configuration mode:

Task	Command
Define the virtual circuit packet hold queue size.	x25 hold-queue <i>queue-size</i>

An encapsulation virtual circuit's hold queue size is determined when it is created; the **x25 hold-queue** command will not affect existing virtual circuits. This command also defines the hold queue size of encapsulation PVCs.

Restrict Map Usage

An X.25 map can be restricted so that it will not be used to place calls or so that it will not be considered when mapping incoming calls.

To restrict X.25 map usage, use the following map options as needed:

Task	Command
Restrict incoming calls from a map.	x25 map <i>protocol address</i> [<i>protocol2 address2</i> [... <i>[protocol9 address9]</i>]] <i>x.121-address</i> no-incoming
Restrict outgoing calls from a map.	x25 map <i>protocol address</i> [<i>protocol2 address2</i> [... <i>[protocol9 address9]</i>]] <i>x.121-address</i> no-outgoing

Configure X.25 Routing

The X.25 software implementation allows virtual circuits to be routed from one X.25 interface to another and from one router to another. The routing behavior can be controlled with switching and XOT configuration commands, based on a locally built table.

X.25 encapsulation can share an X.25 serial interface with the X.25 switching support. Switching or forwarding X.25 virtual circuits can be done two ways:

- Incoming calls received from a local serial interface running X.25 can be forwarded to another local serial interface running X.25. This is known as *local X.25 switching* because the router handles the complete path. It does not matter whether the interfaces are configured as DTE or DCE devices, because the software will take the appropriate actions.
- An incoming call also can be forwarded to another of our routers over a LAN using the TCP/IP protocols. Upon receipt of an incoming call, a TCP connection is established to the router that is acting as the switch for the destination. All X.25 packets are sent and received over this reliable data stream. Flow control is maintained end-to-end. This is known as *X.25-over-TCP* or *XOT* (previously *remote X.25 switching*, or *tunneling*). It does not matter whether the interfaces are configured as DTE or DCE, because the software will take the appropriate actions.

Running X.25 over TCP/IP provides a number of benefits. The datagram containing the X.25 packet can be switched by other routers using their high-speed switching abilities. X.25 connections can be sent over networks running only the TCP/IP protocols. The TCP/IP protocol suite runs over many different networking technologies, including Ethernet, Token Ring, T1 serial, and FDDI. Thus X.25 data can be forwarded over these media to another router, where it can be output to an X.25 interface.

When the connection is made locally, the switching configuration is used; when the connection is across a LAN, the XOT configuration is used. The basic function is the same for both types of connections, but different configuration commands are required for the two types of connections.

The X.25 switching subsystem supports the following facilities and parameters:

- D-bit negotiation is allowed and data packets with the D-bit set are passed through transparently
- Variable-length interrupt data (if not operating as a DDN or BFE interface)
- Flow Control Parameter Negotiation
 - Window size up to 7, or 127 for modulo 128 operation
 - Packet size up to 4096 (if the LAPB layers used are capable of handling the requested size)
- Basic Closed User Group selection
- Throughput class negotiation
- Reverse charging and fast select

The handing of these facilities is described in the “X.25 Facility Handling” section.

To configure X.25 routing, perform the tasks in the following sections:

- Enable X.25 Routing
- Configure a Local X.25 Route
- Configure an XOT (Remote) X.25 Route
- Configure a Locally Switched PVC
- Configure an XOT (Remote) PVC

You may also need to configure additional X.25 routing features, as required for your network. Each task is described in a following section.

Enable X.25 Routing

You must enable X.25 routing to use local switching or XOT. To enable local X.25 routing, perform the following task in global configuration mode:

Task	Command
Enable X.25 routing.	x25 routing [use-tcp-if-defs]

The **use-tcp-if-defs** keyword is used by some routers that receive remote routed calls from older versions of XOT; it might be needed if the originating router cannot be migrated to a new software release. The use of this keyword is described in the “Configure XOT to Use Interface Default Flow Control Values” section later in this chapter.

For an example of configuring X.25 routing, see the sections “X.25 Route Address Pattern Matching Example” and “X.25 Routing Examples” later in this chapter.

Configure a Local X.25 Route

When an incoming call is received that should be forwarded, two fields in the X.25 routing table are consulted to determine a local X.25 route: the destination X.121 address and, optionally, the X.25 packet's CUD field. When the destination address and the CUD of the incoming packet fit the X.121 and CUD patterns in the routing table, the call is forwarded. Forwarding to a specified interface is called *local routing* or *local switching*.

To configure a local X.25 route (thus adding the local route to the routing table), perform the following task in global configuration mode:

Task	Command
Configure a local X.25 route (switching).	x25 route [#position] x121-address [cud pattern] interface type number

Configure an XOT (Remote) X.25 Route

A remote X.25 route is one that crosses a TCP connection. Such routes are called *X.25 over TCP* (XOT) routes (formerly *remote routes* or *tunneled routes*).

When an incoming call is received that should be forwarded, two fields in the X.25 routing table are consulted to determine a remote X.25 route: the destination X.121 address and, optionally, the X.25 packet's CUD field. When the destination address and the CUD of the incoming packet fit the X.121 and CUD patterns in the routing table, the call is forwarded.

You can also specify an XOT source that causes the XOT TCP connection to use the IP address of a specified interface as the source address of the TCP connection. If, for instance, a loopback interface is specified for the XOT connection's source address, TCP can use a primary interface or any backup interface to reach the other end of the connection. However, if a physical interface's address is specified as the source address, the XOT connection is terminated if that interface goes down.

To configure an XOT route (thus adding it to the X.25 routing table), perform the following task in global configuration mode:

Task	Command
Configure an XOT (remote) X.25 route (tunneling).	x25 route [#position] x121-address [cud pattern] ip ip-address [xot-source type number]

Configure a Locally Switched PVC

You can configure an X.25 PVC in the X.25 switching software. This means that DTEs that require permanent circuits can be connected to a router acting as an X.25 switch and have a properly functioning connection. X.25 RESETs will be sent to indicate when the circuit comes up or goes down. Both interfaces must define complementary locally switched PVCs.

To configure a locally switched PVC, perform the following task in interface configuration mode:

Task	Command
Configure a locally switched PVC.	x25 pvc number1 interface type number pvc number2 [option]

The command options are **packetsize** *in out* and **window** *size in out*; they allow a PVC's flow control values to be defined if they differ from the interface defaults.

For an example of configuring a local switched PVC, see the section “PVC Switching on the Same Router Example” later in this chapter.

Configure an XOT (Remote) PVC

A PVC can be connected to another router over a LAN using the XOT protocol. When the interfaces come up, a TCP connection is established to the router that is acting as the switch for the destination. All X.25 packets will be sent and received over this reliable data stream. Flow control is maintained end-to-end. This was previously called *remote PVC switching* or *tunneling*.

Running X.25 over TCP/IP provides a number of benefits. Other routers can switch IP datagrams containing the X.25 packets using the router’s high-speed switching abilities. X.25 data can be sent over networks running only TCP/IP protocols. The TCP/IP protocol suite runs over many different networking technologies, including Ethernet, Token Ring, T1 serial, and FDDI. Thus X.25 data can be forwarded over these media to another XOT host where it can be output to an X.25 interface. Both interfaces must define complementary tunneled PVCs.

To configure a remote PVC to connect across a TCP/IP LAN, perform the following task in interface configuration mode:

Task	Command
Configure a remote PVC to connect across a TCP/IP LAN.	x25 pvc number1 tunnel address interface serial string pvc number2 [option]

The command options are **packetsize in out** and **window size in out**; they allow a PVC’s flow control values to be defined if they differ from the interface defaults.

For an example of configuring a remote tunneled PVC, see the section “Remote PVC Tunneling Example” later in this chapter.

Configure Additional X.25 Routing Features

To configure other, less common X.25 routing features, perform the tasks in the following sections:

- Configure XOT to Use Interface Default Flow Control Values
- Substitute Addresses in a Local X.25 Route
- Configure XOT Alternate Destinations

Configure XOT to Use Interface Default Flow Control Values

When setting up a connection, the source and destination XOT implementations need to cooperate to determine the flow control values that apply to the SVC. The source XOT does this by encoding the X.25 flow control facilities (the window sizes and maximum packet sizes) in the X.25 call packet; the far host’s XOT implementation can then correctly negotiate the flow control values at the destination interface and, if needed, indicate the final values in the X.25 call confirm packet.

The versions of XOT prior to software Release 9.1(4.1) will not, however, ensure that these flow control values are encoded in the X.25 call packet. When XOT receives a call that leaves one or both of the flow control values unspecified, it must assume what those values are. The safest values to assume are window sizes of two packets and maximum packet sizes of 128 bytes; according to the standards, any SVC can be negotiated to use these values. Thus when XOT receives a call from an older XOT implementation, it can specify in the call confirm that these flow control values must revert to the lowest common denominator.

What the older XOT implementations required was that the source and destination XOT router use the same default flow control values on the two X.25 interfaces that connect the SVC; it was easy to create connection with mismatched flow control values if this assumption was not true, which results in mysterious problems. The current implementation's practice of signalling the values in the call confirm avoids these problems.

Occasionally the older XOT implementation will be connected to a piece of X.25 equipment that cannot handle modification of the flow control parameters in the call confirm packet. These configurations should be upgraded to use a more recent version of XOT; when this is not possible, XOT's behavior causes a migration problem. In this situation, the user may configure the router to cause XOT to assume that any unspecified flow control facility values should come from the destination interface's default values. To configure this behavior, add the option **use-tcp-if-defs** when enabling X.25 routing in global configuration mode:

Task	Command
Enable X.25 routing; optionally modify XOT's assumption of unencoded flow control values.	x25 routing [use-tcp-if-defs]

Substitute Addresses in a Local X.25 Route

When interconnecting two separate X.25 networks, it is sometimes necessary to provide for address translation for local routes. Your X.25 switch supports translation of X.25 source and destination addresses for local switching. To translate addresses, perform either or both of the following tasks in global configuration mode:

Task	Command
Translate X.25 source address when local switching.	x25 route [#position] x121-address [cud pattern] [substitute-source pattern] interface interface number
Translate X.25 destination address when local switching.	x25 route [#position] x121-address [cud pattern] [substitute-dest pattern] interface interface number

Address substitution is not available for XOT routes.

Configure XOT Alternate Destinations

XOT routes can be configured with alternate addresses. On routing a call, XOT will try each XOT destination host in sequence; if the TCP connection establishment fails, the next destination will be tried. Up to six XOT destination addresses can be entered.

To configure an XOT route with alternate addresses, (thus adding it to the X.25 routing table), perform the following task in global configuration mode:

Task	Command
Configure an XOT route; optionally define alternate XOT destination hosts.	x25 route [#position] x121-address [cud pattern] ip ip-address [ip-address2 ...[ip-address6]]

The sequence of alternate destination XOT host addresses is simply added to the normal XOT route configuration command.

Note It can take up to 50 seconds to try an alternate route due to TCP timings.

For an example of constructing the routing table, see the section “X.25 Routing Examples” later in this chapter.

Configure CMNS Routing

The Connection-Mode Network Service (CMNS) provides a mechanism through which local X.25 switching can be extended to nonserial media by using OSI-based NSAP addresses. This implementation runs packet-level X.25 over frame-level LLC2.

Note For information about configuring LLC2 parameters, refer to the “Configuring LLC2 and SDLC Parameters” chapter in this publication.

In addition, our CMNS implementation allows LAN-based OSI resources, such as a DTE host and a Sun workstation, to be interconnected to each other via the router’s LAN interfaces *and* to a remote OSI-based DTE through a WAN interface (using, for example, an X.25 PSN).

Note CMNS is implicitly enabled whenever an X.25 encapsulation is included with a serial interface configuration.

All local mapping is performed by statically mapping MAC addresses and X.121 addresses to NSAP addresses.

Implementing CMNS routing involves completing the tasks in the following sections:

- Enable CMNS on an Interface
- Specify a CMNS Static Map of Addresses

Enable CMNS on an Interface

Enable CMNS on a nonserial interface by performing the following task in interface configuration mode:

Task	Command
Enable CMNS.	cmns enable

For an example of enabling CMNS on an interface, see the section “CMNS Configured for X.121 and MAC Addresses Example” later in this chapter.

Specify a CMNS Static Map of Addresses

After enabling CMNS on a nonserial interface (or specifying X.25 encapsulation on a serial interface), you must map NSAP addresses to either MAC-layer addresses or X.121 addresses, depending on the application.

For CMNS support over dedicated serial links (such as leased lines), an X.121 address is not needed, but can be optionally included. You must specify the X.121 address for CMNS connections over a packet-switched network, and you must specify a MAC address for CMNS connections over a nonserial medium (Ethernet, FDDI, or Token Ring).

To map the NSAP addresses to either a MAC address or X.121 address, perform one of the following tasks in interface configuration mode:

Task	Command
Statically map NSAP address to non-serial MAC-layer address.	x25 map cmns nsap mac-address
Statically map NSAP address to X.25, with an optional X.121 destination address.	x25 map cmns nsap x.121-address

For an example of configuring a CMNS static map of addresses, see the section “CMNS Configured for X.121 and MAC Addresses Example” later in this chapter.

Configure DDN or BFE X.25

The DDN X.25 protocol has two versions: Basic Service and Standard Service. Our X.25 implementation only supports the Standard Service. DDN X.25 Standard Service requires that the X.25 data packets carry IP datagrams. The DDN Packet Switch Nodes (PSNs) can extract the IP datagram from within the X.25 packet and pass data to another Standard Service host.

The DDN X.25 Standard is the required protocol for use with DDN PSNs. The Defense Communications Agency (DCA) has certified our DDN X.25 Standard implementation for attachment to the Defense Data Network. As part of the certification, our software is required to provide a scheme for dynamically mapping Internet addresses to X.121 addresses. See the section “DDN X.25 Dynamic Mapping” that follows for details on that scheme.

To enable DDN X.25 service, perform the tasks in the following sections:

- Enable DDN X.25
- Define IP Precedence Handling

To enable BFE X.25 service, perform the task in the following section:

- Configure Blacker Front-End X.25

DDN X.25 Dynamic Mapping

The DDN X.25 standard implementation includes a scheme for dynamically mapping all classes of IP addresses to X.121 addresses without a table. This scheme requires that the IP and X.121 addresses conform to the formats shown in Figure 13-2 and Figure 13-3. These formats segment the IP addresses into network (N), host (H), logical address (L), and PSN (P) portions. For the BFE encapsulation, the IP address is segmented into Port (P), Domain (D), and BFE ID number (B). The DDN algorithm requires that the host value be less than 64.

Figure 13-2 DDN IP Address Conventions

Class A:	Net.Host.LH.PSN → 0000 0 PPPHH00
Bits:	8 8 8 8
Class B:	Net.Net.Host.PSN → 0000 0 PPPHH00
Bits:	8 8 8 8
Class C:	Net.Net.Net.Host.PSN → 0000 0 PPPHH00
Bits:	8 8 8 4 4

S2902

Figure 13-3 BFE IP Address Conventions

BFE Class A :	Net.unused.Port.Domain.BFE → 0000 0 PDDDBBB
Bits:	8 1 3 10 10

S2823

BFE IP Address Conventions

The DDN conversion scheme uses the host and PSN portions of an IP address to create the corresponding X.121 address. The DDN conversion mechanism is limited to Class A IP addresses; however, the router can convert Class B and Class C addresses as well. As indicated, this method uses the last two octets of a Class B address as the host and PSN identifiers, and the upper and lower four bits in the last octet of a Class C address as the host and PSN identifiers, respectively. The BFE conversion scheme requires a Class A IP address.

The DDN conversion scheme uses a physical address mapping if the host identifier is numerically less than 64. (This limit derives from the fact that a PSN cannot support more than 64 nodes.) If the host identifier is numerically larger than 64, the resulting X.121 address is called a logical address. The DDN does not use logical addresses.

The format of physical DDN X.25/X.121 addresses is *ZZZZFIIHHZZ(SS)*, where each character represents a digit. *ZZZZ* represents four zeros, *F* is zero to indicate a physical address, *III* represents the PSN octet from the IP address padded with leading zeros, *HH* is the host octet from the IP address padded with leading zeros, and *ZZ* represents two zeros. (*SS*) represents the optional and unused subaddress.

The physical and logical mappings of the DDN conversion scheme always generate a 12-digit X.121 address. Subaddresses are optional; when added to this scheme, the result is a 14-digit X.121 address. The DDN does not use subaddressing.

Packets using routing and other protocols that require broadcast support can successfully traverse X.25 networks, including the DDN. This traversal requires the use of network protocol-to-X.121 maps, because the router must know explicitly where to deliver broadcast datagrams. (X.25 does not support broadcasts.) You can mark network protocol-to-X.121 map entries to accept broadcast packets; the router then sends broadcast packets to hosts with marked entries. For DDN or BFE operation, the router generates the interface X.121 addresses from the interface IP address using the DDN or BFE mapping technique.

Enable DDN X.25

Both DCE and DTE operation cause the router to specify the Standard Service facility in the Call Request packet, which notifies the PSNs to use Standard Service.

To enable DDN X.25, perform one of the following tasks in interface configuration mode, as appropriate for your network:

Task	Command
Set DDN X.25 DTE operation.	encapsulation x25 ddn
Set DDN X.25 DCE operation.	encapsulation x25 dce ddn

For an example of enabling DDN X.25, see the section “DDN X.25 Dynamic Mapping” in this chapter.

Define IP Precedence Handling

Using Standard Service, the DDN can be configured to provide separate service for datagrams with high precedence values. If the router receives an IP packet with a nonzero Internet precedence field, it uses a different virtual circuit which requested the DDN-specified precedence mapping in the Call Request packet. Different virtual circuits are maintained based on the precedence mapping values and the number of virtual circuits permitted.

By default, the DDN X.25 software opens one virtual circuit for all types of service values. You can enable the precedence sensitivity feature by performing the following task in interface configuration mode:

Task	Command
Allow a new virtual circuit based on the type of service (TOS) field.	x25 ip-precedence

Some hosts send nonstandard data in the TOS field, thereby causing multiple, wasteful virtual circuits to be created.

Configure Blacker Front-End X.25

For environments that require a high level of security, your router software supports attachment to Defense Data Network Blacker Front-End (BFE) equipment and Blacker Emergency Mode operation.

Blacker Emergency Mode allows your BFE device and your router to function in emergency situations. When the router is configured to participate in emergency mode and the BFE device is in emergency mode, the router sends address translation information to the BFE device to assist it in sending information.

Our implementation of Blacker Emergency Mode adheres to the specifications outlined in the DCA Blacker Interface Control document, published March 21, 1989.

Your BFE device is configured to be in one of three possible modes as follows:

- Enters emergency mode when requested to by the network. If the router is configured to respond to a BFE device in emergency mode, or if the EXEC command **bfe enter** is used, the router sends address translation information to the BFE device.
- Never enters emergency mode.
- Notifies the router that the emergency mode window is open and waits for the router to tell it to enter emergency mode. If the router is configured to respond to a BFE in emergency mode, or if the EXEC command **bfe enter** is used, the router sends a special address translation packet to the BFE device. The “special” data includes a command to the BFE to enter emergency mode.

Perform these tasks to configure Blacker Emergency Mode:

- Set BFE encapsulation on the router attached to a BFE device.
- Provide address translation information to the BFE device.
- Define the circumstances under which the router will participate in emergency mode.
- Enter Blacker Emergency Mode using the **bfe EXEC** command.

The following tables describe these tasks.

BFE encapsulation operates to map between Class A IP addresses and the X.121 addresses expected by the BFE encryption device. To set BFE encapsulation, perform the following task in interface configuration mode:

Task	Command
Set BFE encapsulation on the router attached to a BFE device.	encapsulation x25 bfe

You must set up a table that provides the address translation information the router sends to the BFE when the BFE is in emergency mode. To do so, perform the following task in interface configuration mode:

Task	Command
Set up the table that lists the BFE nodes (host or gateways) to which the router will send packets.	x25 remote-red <i>host-ip-address</i> remote-black <i>blacker-ip-address</i>

You can define the circumstances under which the router participates in emergency mode and how it will participate in emergency mode. To do so, perform the following tasks in interface configuration mode:

Task	Command
Define the circumstances under which the router will participate in emergency mode.	x25 bfe-emergency { never always decision }
Define how a router configured as x25 bfe-emergency decision will participate in emergency mode.	x25 bfe-decision { no yes ask }

To set the router to participate in emergency mode or to end participation in emergency mode when your system is so configured, perform the following task in EXEC mode:

Task	Command
Set router to participate in emergency mode.	bfe { enter leave } <i>type number</i>

For an example of configuring Blacker Emergency mode, see the section “Blacker Emergency Mode Example” at the end of this chapter.

Monitor and Maintain LAPB and X.25

To monitor and maintain X.25 and LAPB, perform any of the following tasks in EXEC mode:

Task	Command
Clear all virtual circuits at once (everything—encapsulation, routed calls, and PAD calls—is cleared), or clear the single virtual circuit specified.	clear x25-vc <i>type number [lcn]</i>
Display CMNS information.	show cmns <i>[type number]</i>
Display operation statistics for an interface.	show interfaces serial <i>number</i>
Display CMNS connections over LLC2.	show llc2
Display the protocol-to-X.121 address map.	show x25 map
Display the one-to-one mapping of the host IP addresses and the remote BFE device's IP addresses.	show x25 remote-red
Display routes assigned by the x25 route command.	show x25 route
Display details of active virtual circuits.	show x25 vc <i>[lcn]</i>

Note See the “X.25 Cause and Diagnostic Codes” appendix in the *Debug Command Reference* publication for a description of PVC states that can appear in these **show command** displays.

X.25 Facility Handling

This section provides reference material describing how X.25 facilities are handled by our routers.

Facility Handling in Encapsulated X.25 Virtual Circuits

The router either originates or accepts encapsulation switched virtual circuits (SVCs) in order to transport LAN traffic through an X.25 network.

When the router originates a Call for LAN traffic encapsulation, the facilities in the Call are controlled by the facilities configured for the interface and the map statement that specifies the LAN/X.25 encapsulation. Because a router can be attached to a Public Data Network (PDN), the interface and map configurations allow a number of facilities to be specified in outgoing Calls. These facilities are specified in all originated Calls relating to the given interface and map with one exception; the incoming and outgoing maximum packet sizes proposed will be lowered if the lower layer (LAPB) cannot support the specified DATA packet size.

When the router accepts an encapsulation Call, many facilities are simply ignored. The maximum packet sizes will be lowered if the lower layer (LAPB) cannot support the sizes proposed. A reverse-charged Call will be Cleared if neither the interface nor the map allows it. A Call that specifies a Network User Identification (NUID) will be Cleared if the user authentication fails.

Facility Handling in Routed X.25 Virtual Circuits

Routed X.25 traffic might have facilities added, deleted, or modified by the router.

Standard (1984 X.25) Facilities

Table 13-4 describes how standard (1984 X.25) facilities are treated when routing a switched virtual circuit (SVC). To configure these facilities, refer to the “Configure X.25 User Facilities” section.

Table 13-4 Treatment of Standard X.25 Facilities

Facility	Treatment
Flow Control Negotiation (negotiation of window size and maximum packet size)	The router adds, removes, or changes flow control parameter values to match the values on both interfaces, as described in the following cases.
<ul style="list-style-type: none"> Requested flow control values do not match the outgoing interface’s defaults. Requested values match the outgoing interface’s defaults. Requested maximum packet size exceeds the capability of either interface. Call is routed from a modulo 128 interface to a modulo 8 interface. Call is remotely routed over a TCP connection. Call is received from an X.25 over TCP connection without one or more flow control parameter values. Accepted flow control parameter values are different, for any reason, from the values proposed for the incoming Call. 	<ul style="list-style-type: none"> Router inserts flow control parameters into the outgoing switched Call. Router strips parameter values from the outgoing switched Call. Router lowers the packet size to the largest value that can be supported by the two interfaces. Router lowers the larger requested window size to 7. Router X.25 code ensures that both proposed maximum packet sizes and proposed window sizes for a Call are present. By default, the router forces the Call to use the maximum packet sizes (128/128) and window sizes (2/2). If the x25 routing use-tcp-if-defs command and keyword are specified, the router will assume that the Call takes the default values of the outgoing serial interface. In either case, the Call Confirm sent back over the X.25-over-TCP (XOT) connection will indicate the final flow control values negotiated for the connection. Router sends an outgoing Call Accepted packet that indicates the accepted flow control values.
Throughput Negotiation	Router forwards the incoming Throughput facility.
Closed User Group Selection	Router forwards a basic format Closed User Group selection facility; any other format of Closed User Group selection (extended format, CUG with outgoing access or Bilateral CUG) will be stripped.
Reverse Charging	Router forwards an incoming Reverse Charging facility.
Fast Select	Router forwards an incoming Fast Select facility.
Network User Identification (NUID)	Router forwards an incoming NUID facility on a Call packet; an NUID facility on a Call Accepted packet will be stripped.
Charging Information	Router strips any Charging Information or Request.

Facility	Treatment
RPOA Selection	Router strips any RPOA Selection.
Called Line Address Modified Notification	Router forwards a Called Line Address Modified Notification.
Call Redirection Notification	Router strips a Call Redirection Notification.
Transit Delay Selection	Router forwards an incoming Transit Delay facility.

The implementation of X.25 prior to software Release 9.1(4.1) did not insert flow control parameter values into Call packets sent over X.25-over-TCP (XOT) connections. When such an XOT Call is received by software Release 9.1(4.1) or later, the Call will be forced to the standard flow control values. This may cause migration problems when the router is connecting X.25 equipment that is not capable of negotiating flow control parameters; the optional **use-tcp-if-defs** keyword of the **x25 routing** command can be used if this problem is encountered.

ITU-T-Specified Marker Facilities

Table 13-5 describes how ITU-T-specified marker facilities are treated when routing an SVC.

Table 13-5 Default Treatment of ITU-T-Specified Marker Facilities

Facility	Treatment
Calling Address Extension	Router forwards an incoming Calling Address Extension facility.
Called Address Extension	Router forwards an incoming Called Address Extension facility.
Quality of Service Negotiation	Router strips any of the Quality of Service facilities.
Expedited Data Negotiation	Router strips an Expedited Data Negotiation facility.

The router requires the Calling Address Extension to route to a CMNS host.

The encoding of any CCITT/ITU-T facilities is preceded by a marker, as displayed by the output of the **debug x25** command.

Local Marker Facilities Specified for DDN or BFE X.25

Table 13-6 describes how local marker facilities are treated when routing an SVC.

Table 13-6 Default Treatment of Local Marker Facilities Specified for DDN or BFE X.25

Facility	Treatment
DDN Service Type	Router strips an incoming DDN Service Type facility from a Call, but inserts DDN Service Type if a forwarded Call Accepted packet specifies a DDN precedence facility.

Facility	Treatment
DDN Precedence	Router forwards an incoming DDN Precedence facility. However, both the input and output interfaces need to be configured for DDN X.25 encapsulation. To configure treatment of this facility, see the “Define IP Precedence Handling” section.
BFE Emergency Mode Addressing	Router strips an incoming BFE Emergency Mode Addressing facility. To configure treatment of this facility, see the “Configure Blacker Front-End X.25” section.

Our routers support DDN Standard service but not DDN Basic service. Consequently, DDN Service Type does not have to be configured.

X.25 and LAPB Configuration Examples

The following sections provide examples to help you understand how to configure LAPB and X.25 for your network:

- Typical LAPB Configuration Example
- Transparent Bridging for Multiprotocol LAPB Encapsulation Example
- Typical X.25 Configuration Example
- Virtual Circuit Ranges Example
- PVC Switching on the Same Router Example
- X.25 Route Address Pattern Matching Example
- X.25 Routing Examples
- PVC Used to Exchange IP Traffic Example
- Point-to-Point Subinterface Configuration Example
- Simple Remote PVC Tunneling Example
- Remote PVC Tunneling Example
- CMNS Configured for X.121 and MAC Addresses Example
- CMNS Switched over a PDN Example
- CMNS Switched over Leased Lines Example
- DDN X.25 Configuration Example
- Blacker Emergency Mode Example
- X.25 Configured to Allow Ping Support over Multiple Lines Example
- Booting from a Network Server over X.25 Example

Typical LAPB Configuration Example

In the following example, the frame size (N1), window size (k), and maximum retransmission (N2) parameters retain their default values. The **encapsulation** interface configuration command sets DCE operation to carry a single protocol, IP by default, and the **lapb t1** interface configuration command sets the retransmission timer to 4,000 milliseconds (4 seconds) for a link with a long delay or slow connecting DTE device.

```
interface serial 3
encapsulation lapb dce
lapb t1 4000
```

Transparent Bridging for Multiprotocol LAPB Encapsulation Example

The following example configures transparent bridging for multiprotocol LAPB encapsulation:

```
no ip routing
!
interface Ethernet 1
no ip address
no mop enabled
bridge-group 1
!
interface serial 0
no ip address
encapsulation lapb multi
bridge-group 1
!
bridge 1 protocol ieee
```

Typical X.25 Configuration Example

The following example shows the complete configuration for a serial interface connected to a commercial X.25 PDN for routing the IP protocol. The IP subnetwork address 131.108.9.0 has been assigned for the X.25 network.

Note When routing IP over X.25, the X.25 network must be treated as a single IP network or subnetwork. Map entries for routers with addresses on subnetworks other than the one on which the interface's IP address is stored are ignored by the routing software. Additionally, all routers using the subnet number should have map entries for all others. There are also issues with the broadcast flag, which apply both to IP and to other protocols with dynamic routing.

```
interface serial 2
ip address 131.108.9.1 255.255.255.0
!
encapsulation X25
!
! The "bandwidth" command is not part of the X.25
! configuration; it is especially important to understand that it does not
! have any connection with the X.25 entity of the same name.
! "bandwidth" commands are used by IP routing processes (currently only IGRP)
! to determine which lines are the best choices for traffic.
! Since the default is 1544 Kbaud, and X.25 service at that rate is not generally
! available, most X.25 interfaces that are being used with IGRP in a
! real environment will have "bandwidth" settings.
!
```

```

! This is a 9.6 Kbaud line:
!
bandwidth 10
!
! These Level 3 parameters are default flow control values; they need to
! match the PDN defaults. The values used by an SVC are negotiable on a per-call basis:
!
x25 win 7
x25 wout 7
x25 ips 512
x25 ops 512
!
! You must specify an X.121 address to be assigned to the X.25
! interface by the PDN.
!
x25 address 31370054065
!
! The following Level 3 parameters have been set to match the network.
! You generally need to change some Level 3 parameters, most often
! those listed below. You might not need to change any Level 2
! parameters, however.
!
x25 htc 32
x25 idle 5
x25 nvc 2
!
! The following commands configure the X.25 map. If you want to exchange
! routing updates with any of the routers, they would need
! "broadcast" flags.
! If the X.25 network is the only path to the routers, static routes are
! generally used to save on packet charges. If there is a redundant
! path, it might be desirable to run a dynamic routing protocol.
!
x25 map IP 131.108.9.3 31370019134 ACCEPT-REVERSE
! ACCEPT-REVERSE allows collect calls
x25 map IP 131.108.9.2 31370053087
!
! If the PDN cannot handle fast back-to-back frames, use the
!"transmitter-delay" command to slow down the interface.
!
transmitter-delay 1000

```

Virtual Circuit Ranges Example

The following example sets the following virtual circuit ranges: 5 to 20 dedicated to incoming calls only (from the DCE to the DTE), 25 to 1024 for either incoming or outgoing calls, no virtual circuit range dedicated to outgoing calls (from the DTE to the DCE). Up to four permanent virtual circuits can be defined on virtual circuits 1 through 4.

```

x25 lic 5
x25 hic 20
x25 ltc 25

```

PVC Switching on the Same Router Example

In the following example, there is a PVC connected between two serial interfaces on the same router. In this type of interconnection configuration, the destination interface must be specified along with the PVC number on that interface. To make a working PVC connection, two commands must be specified, each pointing to the other.

```

interface serial 0
encapsulation x25
x25 ltc 5
x25 pvc 1 interface serial 1 pvc 4
!
interface serial 1
encapsulation x25
x25 ltc 5
x25 pvc 4 interface serial 0 pvc 1
    
```

X.25 Route Address Pattern Matching Example

The following example shows how to indicate that X.25 calls to addresses whose first four Data Network Identification Code (DNIC) digits are 1111 should be routed to interface serial 3, but that the DNIC field in the addresses presented to the equipment connected to that interface should be changed to 2222. The \1 in the rewrite pattern indicates the portion of the original address matched by the digits following the 1111 DNIC.

```
x25 route ^1111(.*) substitute-dest 2222\1 interface serial 3
```

The following example shows a more contrived command intended to illustrate the power of the rewriting scheme:

```
x25 route ^(...)..(..)..(..)(..)$ substitute-dest \2\4\3\1 interface serial 0
```

S1046a

It causes all X.25 calls with 14-digit called addresses to be routed through interface serial 0. The incoming DNIC field would be moved to the end of the address. The fifth, sixth, ninth, and tenth digits would be deleted, and the thirteenth and fourteenth would be moved before the eleventh and twelfth.

X.25 Routing Examples

The following examples illustrate how to enable an X.25 switch, how to enable call forwarding, and how to configure a router on a Tymnet/PAD switch to accept and forward calls.

This first example shows how to enable X.25 switching, as well as how to enter routes into the X.25 routing table:

```

! Enable X.25 forwarding
x25 routing
!
! Enter routes into the table. Without a positional parameter, entries
! are appended to the end of the table
x25 route ^100$ interface serial 0
x25 route 100 cud ^pad$ interface serial 2
x25 route 100 interface serial 1
    
```

```
x25 route ^3306 interface serial 3
x25 route .* ip 10.2.0.2
```

The routing table forwards calls for X.121 address 100 out interface serial 0. Otherwise, if the X.121 address contains 100 anywhere within it and contains no Call User Data, or the Call User Data is not the string “pad”, it is forwarded onto serial 1. If the X.121 address contains the digits 100 and the Call User Data is the string “pad”, the call is forwarded onto serial 2. All X.121 addresses that do not match the first three routes are checked for a DNIC of 3306 as the first four digits. If they do match, they are forwarded over serial 3. All other X.121 addresses will match the fifth entry, which is a match-all pattern and will have a TCP connection established to the IP address 10.2.0.2. The router at 10.2.0.2 will then route the call according to its X.25 routing table.

This second example configures a router that sits on a Tymnet PAD/switch to accept calls and have them forwarded to a DEC VAX system. This feature permits running X.25 network over a generalized, existing IP network, thereby making it unnecessary to get another physical line for one protocol. The router positioned next to the DEC VAX system is configured with X.25 routes, as follows:

```
x25 route vax-x121-address interface serial 0
x25 route .* ip cisco-on-tymnet-ipaddress
```

This routes all calls to the DEC VAX X.121 address out to serial 0, where the VAX is connected running PSI. All other X.121 addresses are forwarded to the *cisco-on-tymnet* address using its IP address. This takes all outgoing calls from the VAX and sends them to *cisco-on-tymnet* for further processing.

On the router named *cisco-on-tymnet*, you would enter these commands:

```
x25 route vax-x121-address ip cisco-on-vax
x25 route .* interface serial 0
```

This forces all calls with the VAX X.121 address to be sent to the router with the VAX connected to it. All other calls with X.121 addresses are forwarded out to Tymnet. If Tymnet can route them, a Call Accepted packet is returned, and everything proceeds normally. If Tymnet cannot handle it, it clears the call, and the Clear Request packet is forwarded back toward the VAX.

PVC Used to Exchange IP Traffic Example

The following example, illustrated in Figure 13-4, demonstrates how to use the PVC to exchange IP traffic between Router X and Router Y.

Figure 13-4 Establishing an IP Encapsulation PVC through an X.25 Network

Configuration for Router X

```
interface serial 2
ip address 131.108.1.3 255.255.255.0
x25 map ip 131.108.1.4 0
x25 pvc 4 ip 131.108.1.4
```

Configuration for Router Y

```
interface serial 3
ip address 131.108.1.4 255.255.255.0
x25 map ip 131.108.1.3 0
x25 pvc 4 ip 131.108.1.3
```

In this example, the PDN has established a PVC through its network connecting PVC number 3 of access point A to PVC number 4 of access point B. On Router X, a connection is established between Router X and Router Y's IP address, 131.108.1.4. On Router Y, a connection is established between Router Y and Router X's IP address, 131.108.1.3.

Point-to-Point Subinterface Configuration Example

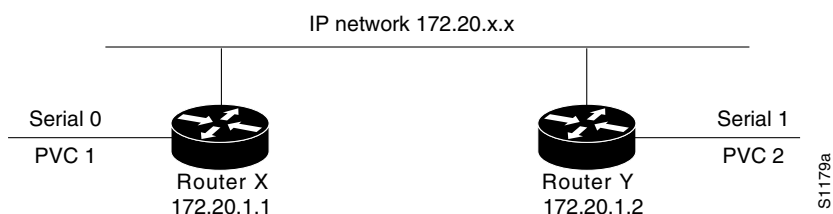
The following example creates a point-to-point subinterface, maps IP and AppleTalk to a remote host, and creates an encapsulating PVC for DECnet to the same remote host, identified by the X.121 address in the commands.

```
interface Serial0.1 point-to-point
x25 map ip 131.108.170.90 170090 broadcast
x25 map appletalk 4.50 170090 broadcast
x25 pvc 1 decnet 1.2 170090 broadcast
```

Simple Remote PVC Tunneling Example

In the following simple example, a connection is established between two PVCs across a LAN. Because the connection is remote (across the LAN), the tunneling command is used. This example establishes a PVC between Router X, Serial 0, PVC1 and Router Y, Serial 1, PVC 2. Keepalives are enabled to maintain connection notification. Figure 13-5 provides a visual representation of the configuration.

Figure 13-5 X.25 Tunneling Connection



Configuration for Router X

```
service tcp-keepalives-in
service tcp-keepalives-out
interface serial 0
x25 pvc 1 tunnel 131.108.1.2 interface serial 1 pvc 2
```

Configuration for Router Y

```

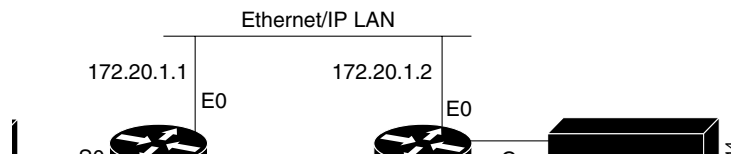
service tcp-keepalives-in
service tcp-keepalives-out
interface serial 1
x25 pvc 2 tunnel 131.108.1.1 interface serial 0 pvc 1

```

Remote PVC Tunneling Example

In the more complex example shown in Figure 13-6, the connection between points A and B is switched, and the connections between point C and points A or B are tunneled. Keepalives are enabled to maintain connection notification.

Figure 13-6 Local Switching and Remote Tunneling PVCs



Configuration for Router X

```

service tcp-keepalives-in
service tcp-keepalives-out
interface ethernet 0
ip address 131.108.1.1 255.255.255.0
!
interface serial 0
x25 ltc 5
x25 pvc 1 interface serial 1 pvc 1
x25 pvc 2 tunnel 131.108.1.2 interface serial 0 pvc 1
!
interface serial 1
x25 ltc 5
x25 pvc 1 interface serial 0 pvc 1
x25 pvc 2 tunnel 131.108.1.2 interface serial 0 pvc 2

```

Configuration for Router Y

```

service tcp-keepalives-in
service tcp-keepalives-out
interface ethernet 0
ip address 131.108.1.2 255.255.255.0
!
interface serial 0
x25 ltc 5
x25 pvc 1 tunnel 131.108.1.1 interface serial 0 pvc 2
x25 pvc 2 tunnel 131.108.1.1 interface serial 1 pvc 2

```

CMNS Configured for X.121 and MAC Addresses Example

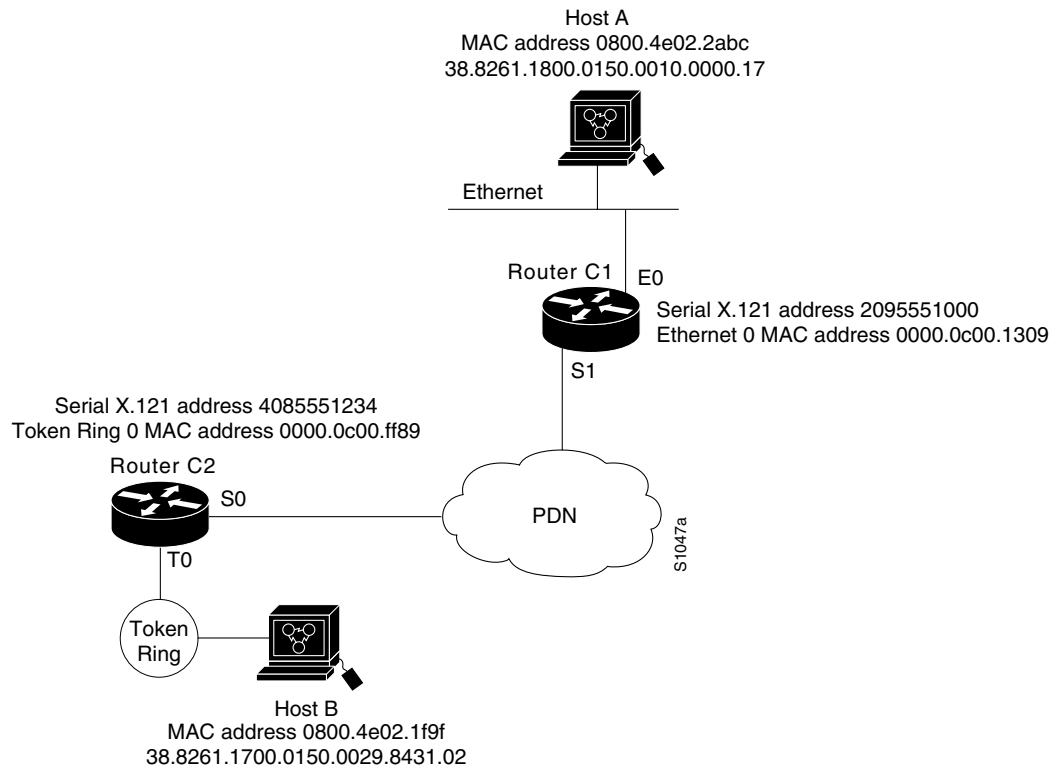
The following examples illustrate enabling CMNS and configuring X.121 and MAC address mappings:

```
interface ethernet 0
cmns enable
x25 map cmns 38.8261.1000.0150.1000.17 0000.0c00.ff89
! Above maps NSAP to MAC-address on Ethernet0
!
interface serial 0
encapsulation x25
x25 map cmns 38.8261.1000.0150.1000.18 3110451
! Above maps NSAP to X.121-address on Serial0
! assuming the link is over a PDN
!
interface serial 1
encapsulation x25
x25 map cmns 38.8261.1000.0150.1000.20
! Above specifies cmns support for Serial1
! assuming that the link is over a leased line
```

CMNS Switched over a PDN Example

The following example depicts switching CMNS over a packet-switched public data network (PDN). Figure 13-7 illustrates the general network topology for a CMNS switching application where calls are being made between resources on opposite sides of a remote link to Host A (on an Ethernet) and Host B (on a Token Ring), with a PDN providing the connection.

Figure 13-7 Example Network Topology for Switching CMNS over a PDN



The following configuration listing allows resources on either side of the PDN to call Host A or Host B. This configuration allows traffic intended for the remote NSAP address specified in the **x25 map cmns** commands (for the serial ports) to be switched through the serial interface for which CMNS is configured.

Configuration for Router C2

```

! This configuration specifies that any traffic from any other
! interface intended for any NSAP address with NSAP prefix 38.8261.17
! will be switched to MAC address 0800.4e02.1f9f
! through Token Ring 0
!
interface token 0
cmns enable
x25 map cmns 38.8261.17 0800.4e02.1f9f
!
! This configuration specifies that traffic from any other interface
! on Cisco Router C2 that is intended for any NSAP address with
! NSAP-prefix 38.8261.18 will be switched to
! X.121 address 2095551000 through Serial 0
!
interface serial 0
encapsulation x25
x25 address 4085551234
x25 map cmns 38.8261.18 2095551000

```

Configuration for Router C1

```

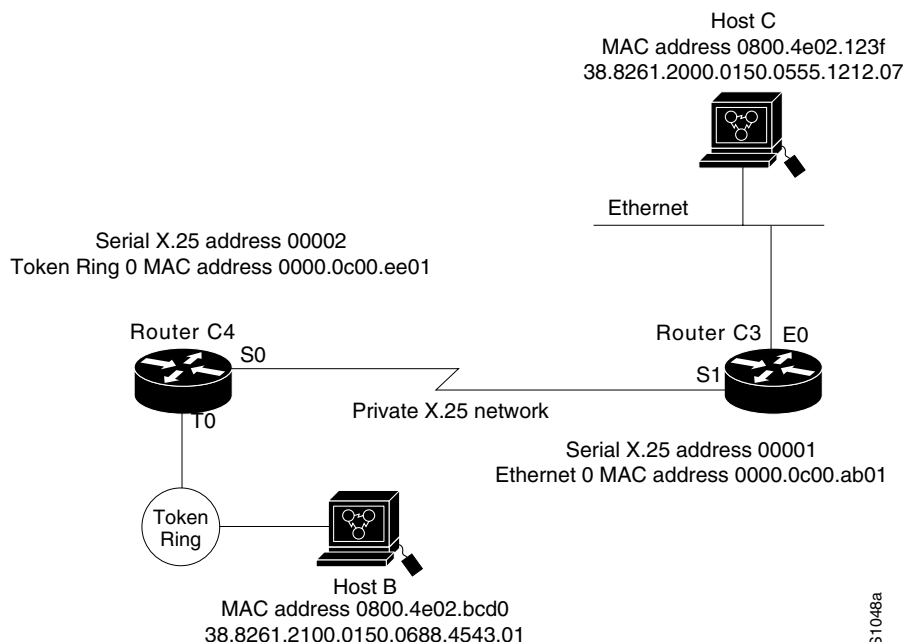
! This configuration specifies that any traffic from any other
! interface intended for any NSAP address with NSAP 38.8261.18
! will be switched to MAC address 0800.4e02.2abc through Ethernet 0
!
interface ethernet 0
cmns enable
x25 map cmns 38.8261.18 0800.4e02.2abc
!
! This configuration specifies that traffic from any other interface
! on Cisco Router C1 that is intended for any NSAP address with
! NSAP-prefix 38.8261.17 will be switched to X.121 address
! 4085551234 through Serial 1
!
interface serial 1
encapsulation x25
x25 address 2095551000
x25 map cmns 38.8261.17 4085551234
    
```

CMNS Switched over Leased Lines Example

The following example illustrates switching CMNS over a leased line. Figure 13-8 illustrates the general network topology for a CMNS switching application where calls are being made by resources on the opposite sides of a remote link to Host C (on an Ethernet) and Host D (on a Token Ring), with a dedicated leased line providing the connection.

The following configuration listing allows resources on either side of the leased line to call Host C or Host D. This configuration allows traffic intended for the remote NSAP address specified in the **x25 map cmns** commands (for the serial ports) to be switched through the serial interface for which CMNS is configured.

Figure 13-8 Example Network Topology for Switching CMNS over a Leased Line



S1048a

A key difference for this configuration compared with the previous example is that with no PDN, the specification of an X.121 address in the **x25 map cmns** command is not necessary. The specification of an X.25 address also is not needed, but is included for symmetry with the previous example.

Configuration for Router C4

```

! This configuration specifies that any traffic from any other
! interface intended for any NSAP address with NSAP 38.8261.21
! will be switched to MAC address 0800.4e02.bcd0 through Token Ring 0
!
interface token 0
cmns enable
x25 map cmns 38.8261.21 0800.4e02.bcd0
!
! This configuration specifies that traffic from any other interface
! on Cisco Router C4 that is intended for any NSAP address with
! NSAP-prefix 38.8261.20 will be switched through Serial 0
!
interface serial 0
encapsulation x25
x25 address 00002
x25 map cmns 38.8261.20

```

Configuration for Router C3

```

! This configuration specifies that any traffic from any other
! interface intended for any NSAP address with NSAP 38.8261.20
! will be switched to MAC address 0800.4e02.123f through Ethernet 0
!
interface ethernet 0
cmns enable
x25 map cmns 38.8261.20 0800.4e02.123f
!
! This configuration specifies that traffic from any other interface
! on Cisco Router C3 that is intended for any NSAP address with
! NSAP-prefix 38.8261.21 will be switched through Serial 1
!
interface serial 1
encapsulation x25
x25 address 00001
x25 map cmns 38.8261.21

```

DDN X.25 Configuration Example

The following example illustrates how to configure a router interface to run DDN X.25:

```

interface serial 0
ip address 192.31.7.50 255.255.255.240
encapsulation x25 ddn
x25 win 6
x25 wout 6
x25 ips 1024
x25 ops 1024
x25 t20 10
x25 t21 10
x25 t22 10
x25 t23 10
x25 nvc 2
x25 map IP 192.31.7.49 000000010300 BROADCAST

```

Blacker Emergency Mode Example

In the following example, interface serial 0 is configured to require an EXEC command from the administrator before it participates in emergency mode. The host IP address is 21.0.0.12, and the address of the remote BFE unit is 21.0.0.1. When the BFE enters emergency mode, the router will prompt the administrator for the EXEC command **bfe enter** to direct the router to participate in emergency mode.

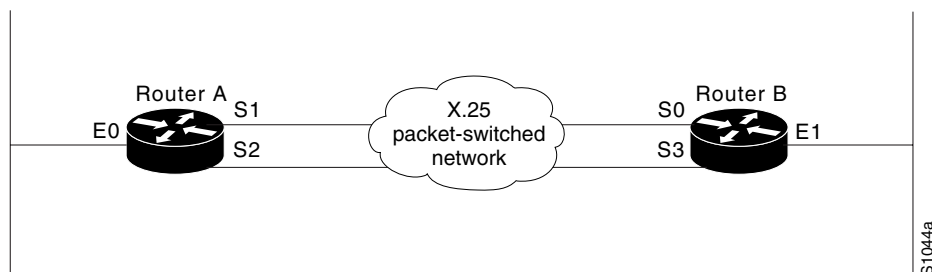
```
interface serial 0
ip address 21.0.0.2 255.0.0.0
encapsulation x25 bfe
x25 bfe-emergency decision
x25 remote-red 21.0.0.12 remote-black 21.0.0.1
x25 bfe-decision ask
```

X.25 Configured to Allow Ping Support over Multiple Lines Example

For **ping** commands to work in an X.25 environment (when load sharing over multiple serial lines), you must include entries for all adjacent interface IP addresses in the **x25 map** command for each serial interface. The following example illustrates this point.

Consider two routers, Router A and Router B, communicating with each other over two serial lines via an X.25 PDN (see Figure 13-9) or over leased lines. In either case, all serial lines must be configured for the same IP subnet address space. In order to allow for successful **ping** commands, the configuration might be as in the lists that follow. In any event, a similar configuration is required for the same subnet IP addresses to work across X.25.

Figure 13-9 Parallel Serial Lines to X.25 Network



Note All four serial ports configured for the two routers in the following configuration example must be assigned to the same IP subnet address space. In this case, the subnet is 131.108.170.0.

Configuration for Router A

```
interface serial 1
ip 131.108.170.1 255.255.255.0
x25 address 31370054068
x25 map ip 131.108.170.3 31370054065
x25 map ip 131.108.170.4 31370054065
!
interface serial 2
ip 131.108.170.2 255.255.255.0
x25 address 31370054069
x25 map ip 131.108.170.4 31370054067
```

```
x25 map ip 131.108.170.3 31370054067
! allow either destination address
x25 31370054068 alias serial2
x25 31370054069 alias serial1
```

Configuration for Router B

```
interface serial 0
ip 131.108.170.3 255.255.255.0
x25 address 31370054065
x25 map ip 131.108.170.1 31370054068
x25 map ip 131.108.170.2 31370054068
!
interface serial 3
ip 131.108.170.4 255.255.255.0
x25 address 31370054067
x25 map ip 131.108.170.2 31370054069
x25 map ip 131.108.170.1 31370054069
! allow either destination address
x25 31370054065 alias serial3
x25 31370054067 alias serial0
```

Booting from a Network Server over X.25 Example

Over X.25, you cannot boot the router from a network server via a broadcast. Instead, you must boot from a specific host. Also, an **x25 map** command must exist for the host that you boot from. The **x25 map** command is used to map an IP address into an X.121 address. There must be an **x25 map** command that matches the IP address given on the **boot system** command line. The following is an example of such a configuration:

```
boot system gs3-k.100 131.108.126.111
!
interface Serial 1
ip address 131.108.126.200 255.255.255.0
encapsulation X25
x25 address 10004
x25 map IP 131.108.126.111 10002 broadcast
lapb n1 12040
clockrate 56000
```

In this case, 10002 is the X.121 address of the remote router that can get to host 131.108.126.111.

The remote router must have the following **x25 map** entry:

```
x25 map IP 131.108.126.200 10004 broadcast
```

This entry allows the remote router to return a boot image (from the netboot host) to the router booting over X.25.

