



Removing and Installing Port Adapters

This chapter describes how to remove the PA-2FEISL port adapter from supported platforms and also how to install a new or replacement port adapter. This chapter contains the following sections:

- [Handling Port Adapters, page 3-2](#)
- [Online Insertion and Removal, page 3-2](#)
- [Warnings and Cautions, page 3-3](#)
- [Port Adapter Removal and Installation, page 3-4](#)
- [Connecting a PA-2FEISL RJ-45 or SC Cable, page 3-10](#)

Each port adapter circuit board is mounted to a metal carrier and is sensitive to electrostatic discharge (ESD) damage.



Note

When a port adapter slot is not in use, a blank port adapter must fill the empty slot to allow the router or switch to conform to electromagnetic interference (EMI) emissions requirements and to allow proper airflow across the port adapters. If you plan to install a new port adapter in a slot that is not in use, you must first remove the blank port adapter.

**Caution**

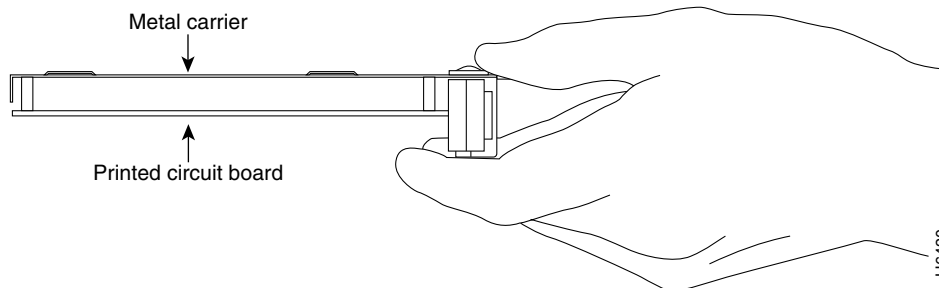
When powering off the router, wait a minimum of 30 seconds before powering it on again.

Handling Port Adapters

**Caution**

Always handle the port adapter by the carrier edges and handle; never touch the port adapter components or connector pins. (See [Figure 3-1](#).)

Figure 3-1 Handling a Port Adapter



Online Insertion and Removal

Several platforms support online insertion and removal (OIR) of port adapters; therefore, you do not have to power down routers when removing and replacing a PA-2FEISL on Cisco 7100 series routers, Cisco 7200 series routers, or Cisco uBR7200 series routers.

Although the VIP2 and the Catalyst RSM/VIP2 support online insertion and removal, individual port adapters do not. To replace port adapters, you must first remove the VIP2 or Catalyst RSM/VIP2 from the chassis and then install or replace port adapters as required. If a blank port adapter is installed on the VIP2 or Catalyst RSM/VIP2 on which you want to install a new port adapter, you must first remove the VIP2 or Catalyst RSM/VIP2 from the chassis and then remove the blank port adapter.

**Caution**

To prevent system problems, do not remove port adapters from the VIP2 or Catalyst RSM/VIP2 motherboard or attempt to install other port adapters on the motherboard when the system is operating. To install or replace port adapters, first remove the VIP2 or Catalyst RSM/VIP2 from its interface processor slot.

It is wise to gracefully shut down the system before removing a port adapter that has active traffic moving through it. Removing a module while traffic is flowing through the ports can cause system disruption. Once the module is inserted, the ports can be brought back up.

**Note**

As you disengage the module from the router or switch, online insertion and removal (OIR) administratively shuts down all active interfaces in the module.

OIR allows you to install and replace modules while the router is operating; you do not need to notify the software or shut down the system power, although you should not run traffic through the module you are removing while it is being removed. OIR is a method that is seamless to end users on the network, maintains all routing information, and preserves sessions.

The following is a functional description of OIR for background information only; for specific procedures for installing and replacing a module in a supported platform, refer to the “[Port Adapter Removal and Installation](#)” section on page 3-4.

Each module has a bus connector that connects it to the router. The connector has a set of tiered pins in three lengths that send specific signals to the system as they make contact with the module. The system assesses the signals it receives and the order in which it receives them to determine if a module is being removed from or introduced to the system. From these signals, the system determines whether to reinitialize a new interface or to shut down a disconnected interface.

Specifically, when you insert a module, the longest pins make contact with the module first, and the shortest pins make contact last. The system recognizes the signals and the sequence in which it receives them.

When you remove or insert a module, the pins send signals to notify the system of changes. The router then performs the following procedure:

1. Rapidly scans the system for configuration changes.
2. Initializes newly inserted port adapters or administratively shuts down any vacant interfaces.
3. Brings all previously configured interfaces on the module back to their previously installed state. Any newly inserted interface is put in the administratively shutdown state, as if it was present (but not configured) at boot time. If a similar module type is reinserted into a slot, its ports are configured and brought online up to the port count of the originally installed module of that type.

**Note**

Before you begin installation, read [Chapter 2, “Preparing for Installation,”](#) for a list of parts and tools required for installation.

Warnings and Cautions

Observe the following warnings and cautions when installing or removing port adapters.

**Caution**

Do not slide a port adapter all the way into the slot until you have connected all required cables. Trying to do so disrupts normal operation of the router or switch.

**Note**

If a port adapter lever or other retaining mechanism does not move to the locked position, the port adapter is not completely seated in the midplane. Carefully pull the port adapter halfway out of the slot, reinsert it, and move the port adapter lever or other mechanism to the locked position.

**Caution**

To prevent jamming the carrier between the upper and the lower edges of the port adapter slot, and to ensure that the edge connector at the rear of the port adapter mates with the connection at the rear of the port adapter slot, make certain that the carrier is positioned correctly, as shown in the cutaway in the following illustrations.

**Warning**

During this procedure, wear grounding wrist straps to avoid ESD damage to the card. Do not directly touch the midplane with your hand or any metal tool, or you could shock yourself. Statement 181

Port Adapter Removal and Installation

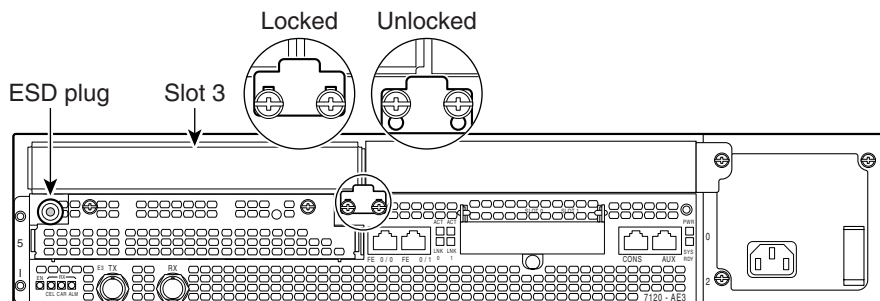
In this section, these illustrations give step-by-step instructions on how to remove and install port adapters.

- [Cisco 7100 Series—Removing and Installing a Port Adapter, page 3-5](#)
- [Cisco 7200 Series—Removing and Installing a Port Adapter, page 3-6](#)
- [Cisco uBR7200 Series—Removing a Port Adapter, page 3-7](#)
- [Cisco uBR7200 Series—Installing a Port Adapter, page 3-8](#)
- [VIP2—Removing and Installing a Port Adapter, page 3-9](#)

Cisco 7100 Series—Removing and Installing a Port Adapter

Step 1

To remove the port adapter, use a number 2 Phillips screwdriver to loosen the screws on the locking tab. Then slide the tab down to the unlocked position.



Step 2

Grasp the handle of the port adapter and pull the port adapter from the router, about halfway out of its slot. If you are removing a blank port adapter, pull the blank port adapter completely out of the chassis slot.

Step 3

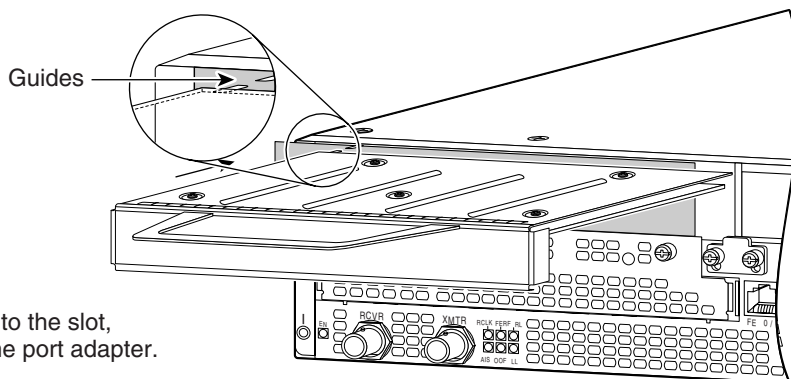
With the port adapter halfway out of the slot, disconnect all cables from the port adapter.

Step 4

After disconnecting the cables, pull the port adapter from its chassis slot.

Step 5

To insert the port adapter, carefully align the port adapter carrier between the upper and the lower edges of the port adapter slot.



Step 6

With the port adapter halfway into the slot, connect all required cables to the port adapter.

Step 7

After connecting all required cables, carefully slide the port adapter all the way into the slot until the port adapter is seated in the router midplane.

Step 8

Cisco 7200 Series—Removing and Installing a Port Adapter

Step 1

To remove the port adapter, place the port adapter lever in the unlocked position. (See A.) The port adapter lever remains in the unlocked position.

Step 2

Grasp the handle of the port adapter and pull the port adapter from the router, about halfway out of its slot. If you are removing a blank port adapter, pull the blank port adapter completely out of the chassis slot.

Step 3

With the port adapter halfway out of the slot, disconnect all cables from the port adapter. After disconnecting the cables, pull the port adapter from its chassis slot.

Step 4

To insert the port adapter, carefully align the port adapter carrier between the upper and the lower edges of the port adapter slot. (See B.)

Step 5

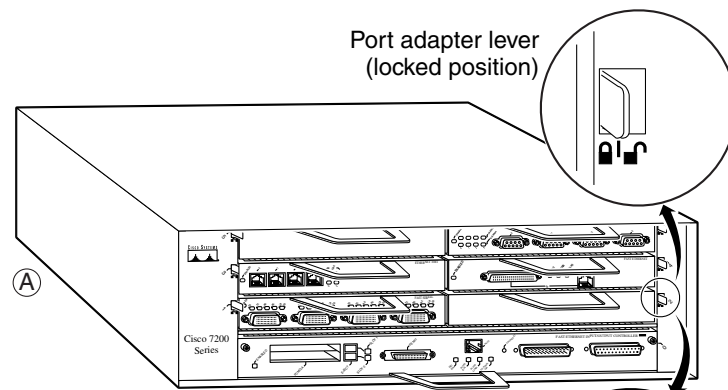
Carefully slide the new port adapter halfway into the port adapter slot. (See B.)

Step 6

With the port adapter halfway into the slot, connect all required cables to the port adapter. After connecting all required cables, carefully slide the port adapter all the way into the slot until the port adapter is seated in the router midplane.

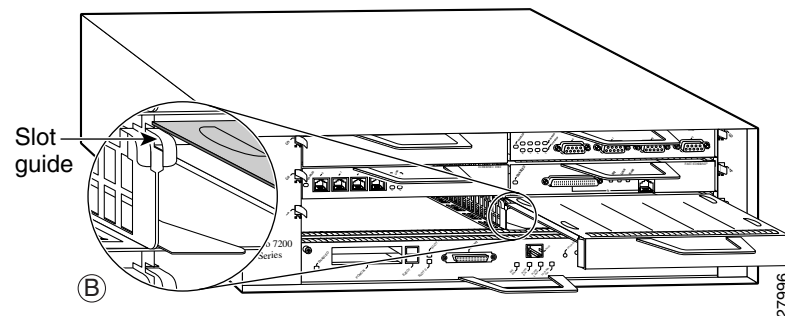
Step 7

After the port adapter is properly seated, lock the port adapter lever. (See A.)



Note: This adapter removal applies to any port or service adapter.

Port adapter lever (unlocked position)

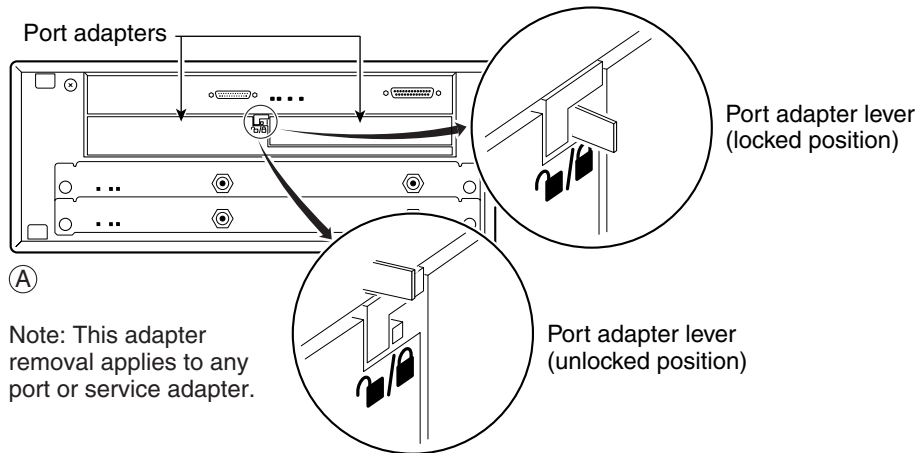


27996

Cisco uBR7200 Series—Removing a Port Adapter

Step 1

To remove the port adapter, unlock the port adapter retaining mechanism. The port adapter lever remains in the unlocked position.



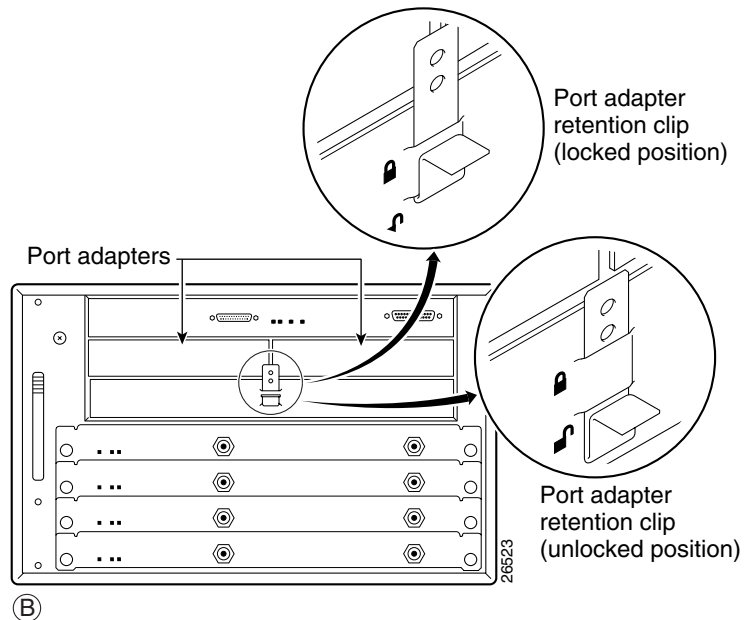
Place the port adapter lever (Cisco uBR7223, see A), or the port adapter retention clip (Cisco uBR7246 and Cisco uBR7246 VXR, see B) in the unlocked position. Either mechanism remains in the unlocked position.

Step 2

Grasp the handle of the port adapter and pull the port adapter from the router, about halfway out of its slot. If you are removing a blank port adapter, pull the blank port adapter completely out of the chassis slot.

Step 3

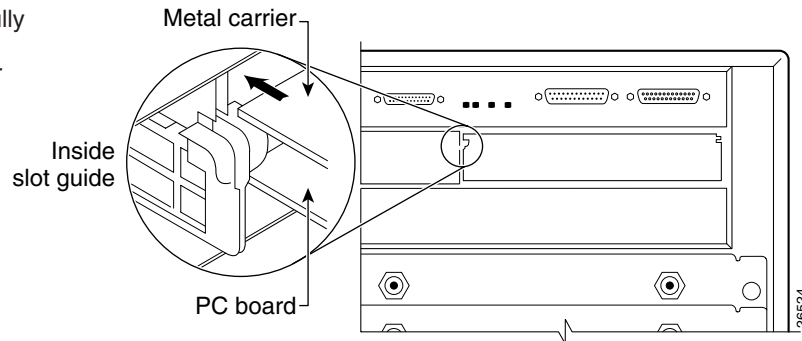
With the port adapter halfway out of the slot, disconnect all cables from the port adapter. After disconnecting the cables, pull the port adapter from its chassis slot.



Cisco uBR7200 Series—Installing a Port Adapter

Step 1

To insert the port adapter, carefully align the port adapter carrier between the upper and the lower edges of the port adapter slot.



Step 2

Carefully slide the new port adapter halfway into the port adapter slot.

Step 3

With the port adapter halfway into the slot, connect all required cables to the port adapter. After connecting all required cables, carefully slide the port adapter all the way into the slot until the port adapter is seated in the router midplane.

Step 4

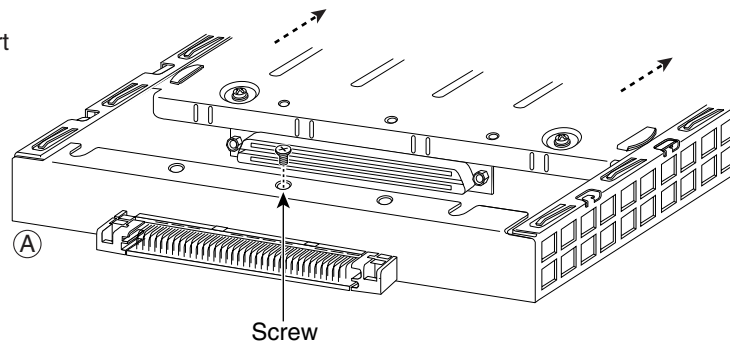
After the port adapter is properly seated, lock the port adapter lever or retention clip, depending on your system. (See illustration on preceding page.)

VIP2—Removing and Installing a Port Adapter

Note: You must first remove the VIP from the chassis before removing a port adapter from the VIP.

Step 1

To remove the port adapter, remove the screw that secures the port adapter (or blank port adapter). (See A.)

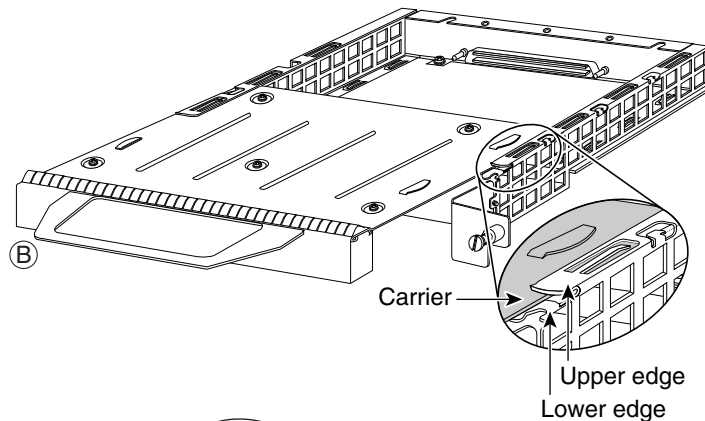


Step 2

With the screw removed, grasp the handle on the front of the port adapter (or blank port adapter) and carefully pull it out of its slot, away from the edge connector at the rear of the slot. (See A.)

Step 3

To insert the port adapter, carefully align the port adapter carrier between the upper and the lower edges of the port adapter slot. (See B.)

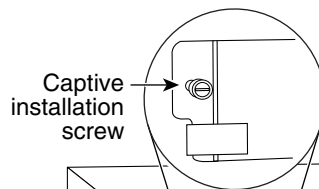


Step 4

Carefully slide the new port adapter into the port adapter slot until the connector on the port adapter is completely seated in the connector at the rear of the port adapter slot. (See B.)

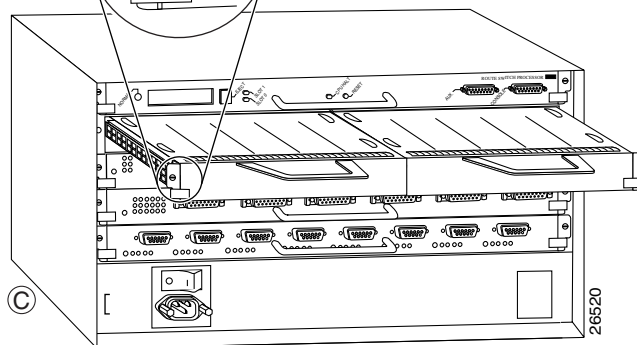
Step 5

Install the screw in the rear of the port adapter slot on the VIP. Do not overtighten the screw. (See A.)



Step 6

Carefully slide the VIP motherboard into the interface processor slot until the connectors at the rear of the VIP are completely seated in the connectors at the rear of the interface processor slot. Use the ejector levers to seat the VIP in the interface processor slot. Tighten the captive installation screws on the VIP. (See C.)



Connecting a PA-2FEISL RJ-45 or SC Cable

To continue your PA-2FEISL port adapter installation, you must install the port adapter's interface cables. The following instructions apply to all supported platforms.

RJ-45 and SC-type fiber optic cables are not available from Cisco; they are available from commercial cable vendors.

Use the following procedure to connect RJ-45 or SC cables:

- Step 1** If you have RJ-45 connections (PA-2FEISL-TX), attach the Category 5 unshielded twisted-pair (UTP) cable directly to an RJ-45 port on the PA-2FEISL-TX. See (Figure 3-2.) The PA-2FEISL is an end station device and not a repeater. You *must* connect the PA-2FEISL to a repeater, hub, or back-to-back to another 100-Mbps Fast Ethernet adapter.

If you have SC connections (PA-2FEISL-FX), attach the cable directly to an SC port on the PA-2FEISL-FX. See (Figure 3-3.) Use either one duplex SC connector or two simplex SC connectors, and observe the correct relationship between the receive (RX) and transmit (TX) ports on the PA-2FEISL-FX and your repeater.



Note Port adapters have a handle attached, but this handle is not shown to allow a full detailed view of each port adapter's faceplate.

Figure 3-2 Connecting a PA-2FEISL-TX RJ-45 Cable—Horizontal Orientation (Shown Without Handles)

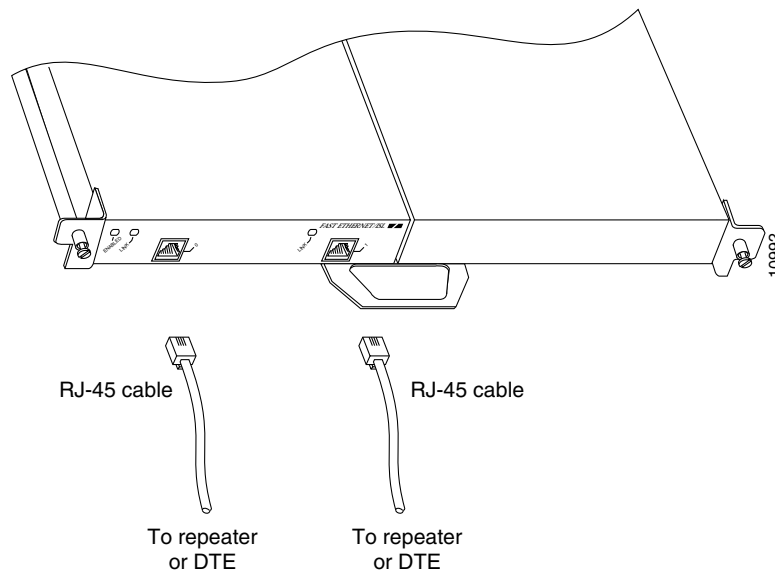
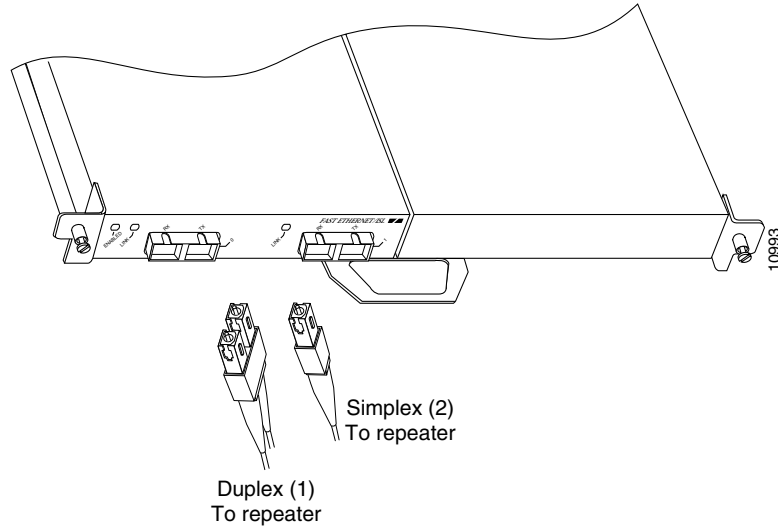


Figure 3-3 Connecting PA-2FEISL-FX SC Cables—Horizontal Orientation (Shown Without Handles)**Caution**

Only connect cables that comply with EIA/TIA-568 standards.

Step 2

Attach the network end of your RJ-45 or SC-type cable to your 100BASE-T transceiver, switch, hub, repeater, DTE, or other external 100BASE-T equipment.

This completes the PA-2FEISL cable installation. Proceed to [Chapter 4, “Configuring the PA-2FEISL,”](#) to configure the PA-2FEISL and complete the installation.

