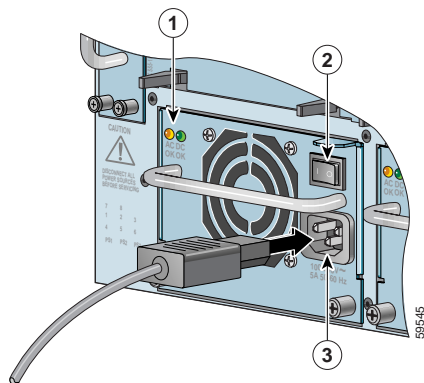


CSS 11506 AC Power Supply Reference

The CSS 11506 enables you to install up to three power supplies to ensure maximum uptime. The CSS design requires two power supplies for operation. Installing a third power supply provides redundancy. A redundant power supply is active upon installation and power up, and provides load-sharing capabilities. You may install or remove and replace a redundant power supply in the chassis without powering down the CSS. If you are removing and replacing one of two power supplies, you must power down the CSS.

Figure 1 shows a CSS 11506 AC power supply (CSS506-PWR-AC=).

Figure 1 AC Power Supply LEDs, Power Switch, and Connector



1	Power supply LEDs: AC OK and DC OK
2	Power switch
3	AC power connector



If you do not power down the CSS, an electrical energy hazard is present within the chassis. Prior to installing or removing components, remove all metallic objects from hands and wrists to prevent bridging of live contact points.



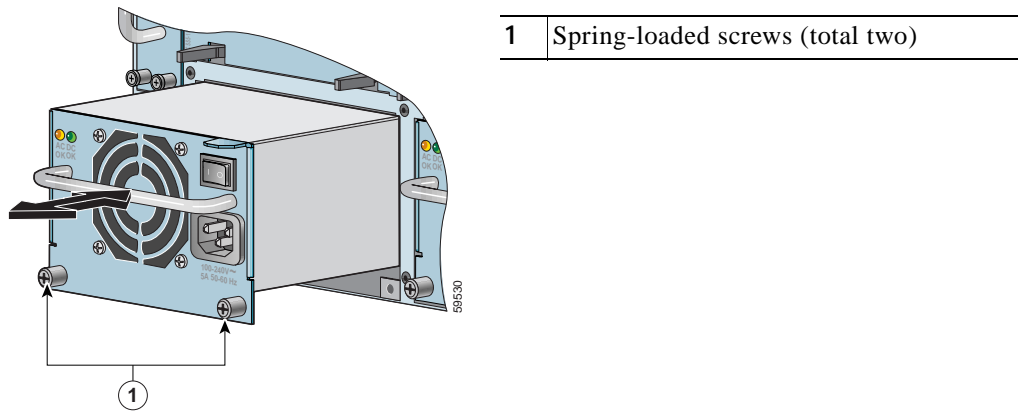
Never install an AC power module and a DC power module in the same chassis.

Removing a Power Supply

To remove a power supply:

1. If necessary, power down the CSS (if two power supplies are installed in the CSS).
2. Verify that the power switch on the power supply is in the **0** (off) position (refer to Figure 1 for the location of the power switch).
3. Remove the power cord.
4. Loosen the spring-loaded screws on the power supply front panel (refer to Figure 2).

Figure 2 Removing or Replacing an AC Power Supply



5. Grasp the power supply handle and carefully pull the power supply out of the chassis.

Installing a Power Supply



Warning

Never connect power to the power supply before installing it into the chassis.

To install a power supply:

1. If necessary, remove the blank panel from the power supply bay.
2. Verify that the power switch on the power supply is in the **0** (off) position.
3. Align the power supply in the slot and slide it carefully into the chassis (refer to Figure 2).
4. Use a Phillips screwdriver to tighten the two spring-loaded screws that secure the power supply to the chassis.
5. Attach the power cord to the CSS by plugging the AC power cord into the power connector at the front of the power supply (refer to Figure 1).
6. Plug the power cord into a dedicated 3-wire grounding receptacle.
7. Switch on the power on the power supply. If necessary, power up the other power supplies in the CSS.

The CSS automatically brings the power supply into service. The AC OK and DC OK LEDs on the power supply illuminate to indicate that the power supply is receiving power from its source and is functioning properly.

If both LEDs are off, there is no power to the power supply. Check the power source and connections. If the AC OK LED is lit and the DC OK LED is off, the power supply has failed.