



DC Power Supply Reference

Product Number: PWR-CSS8-850-DC= (DC Power Supply)

This reference contains the following information on the CSS 11800 content services switch DC power supply:

- Redundant Power Supplies
- Installing a Power Supply
- Connecting a DC Power Cable
- Removing a Power Supply

Note: You must install a DC-powered CSS in a restricted access location.

Redundant Power Supplies

The CSS 11800 content services switch enables you to install a redundant power supply to ensure maximum uptime. This product design requires one power supply for operation. Installing a second power supply provides redundancy. A redundant power supply is active upon installation and power up, and provides load-sharing capabilities. You may install a redundant power supply in the chassis without powering down the CSS.

Warnings

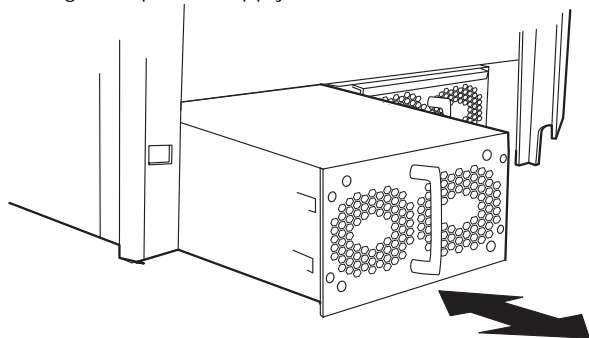


The DC power supply cable requires 12 AWG wire. The 11800 content services switch draws a maximum of 25 amps. DC systems do not have a power switch. A chassis configured for DC power requires an external power disconnect device (such as an external circuit breaker). Before performing the DC installation procedure, ensure that power is removed from the DC circuit. To ensure that all power is off, locate the circuit breaker that services the DC circuit and switch it off.

Installing a Power Supply

To install a power supply:

1. If necessary, remove the blank panel from the power supply bay.
2. Align the power supply in the slot and slide it carefully into the chassis.



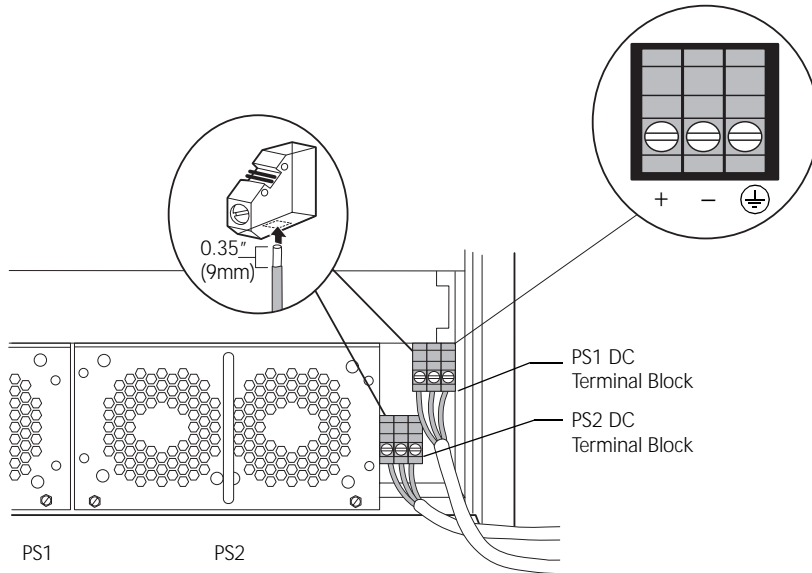
3. Use a flat-head screwdriver to tighten the two captive panel fasteners that secure the power supply to the chassis.

Connecting a DC Power Cable

Before you install a DC power cable, refer to the DC power supply safety warnings listed on the previous page as well as the warnings in the *Content Services Switch Getting Started Guide*.

To connect the CSS DC power supply to a power source:

1. Locate the DC terminal block on the front of the chassis as shown below for the CSS 11800.



2. Using a flat-head screwdriver, loosen the captive screws on the three DC connectors (labeled from left to right, +, -, and ⊕, respectively).

Warning



Before installing a wire, ensure that the polarity of the DC connections is correct. Reversed polarity can cause damage to the DC power supply and can create a dangerous shock hazard.

3. Install the wires into the appropriate connector. Make sure that the uninsulated part of each wire is 9mm (0.35 in.) in length. When installing the wires, always connect the ground wire first. When disconnecting the wires, always disconnect the ground wire last.

The proper power cable wiring between the CSS 11800 and DC power source is, as follows:

| CSS 11800 | DC Power Source |
|------------|-----------------|
| ⊕ (Ground) | ⊕ (Ground) |
| + | + |
| - | - |

4. Tighten the captive screws to 5 to 7 inch-pounds (0.6 to 0.8 Nm) of torque to secure the wires in the connectors. Ensure the wires are held firmly in place.

Removing a Power Supply

To remove a power supply:

1. Disconnect power to the CSS.
2. Loosen the captive panel fasteners on the power supply front panel.
3. Grasp the power supply handle and carefully pull the power supply out of the chassis.