



# AC Power Supply Reference

Product Number: PWR-CSS8-850-AC= (AC Power Supply)

This reference contains the following information on CSS 11800 AC power supplies:

- Redundant Power Supplies
- Installing a Power Supply
- Connecting an AC Power Cord
- Removing a Power Supply

## Redundant Power Supplies

The CSS 11800 enables you to install a redundant power supply to ensure maximum uptime. This illustration shows two AC power supplies installed in the CSS 11800. The CSS 11800 design requires one power supply for operation. Installing a second power supply provides redundancy. A redundant power supply is active upon installation and powerup, and provides load-sharing capabilities. You may install a redundant power supply in the chassis without powering down the CSS.

### Warning

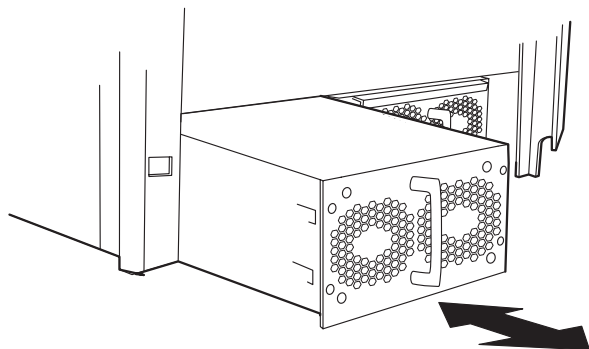


If you do not power down the CSS, an electrical energy hazard is present within the chassis. Prior to installing or removing components, remove all metallic objects from hands and wrists to prevent bridging of live contact points.

## Installing a Power Supply

To install a power supply:

1. If necessary, remove the blank panel from the power supply bay.
2. Align the power supply in the slot and slide it carefully into the chassis.

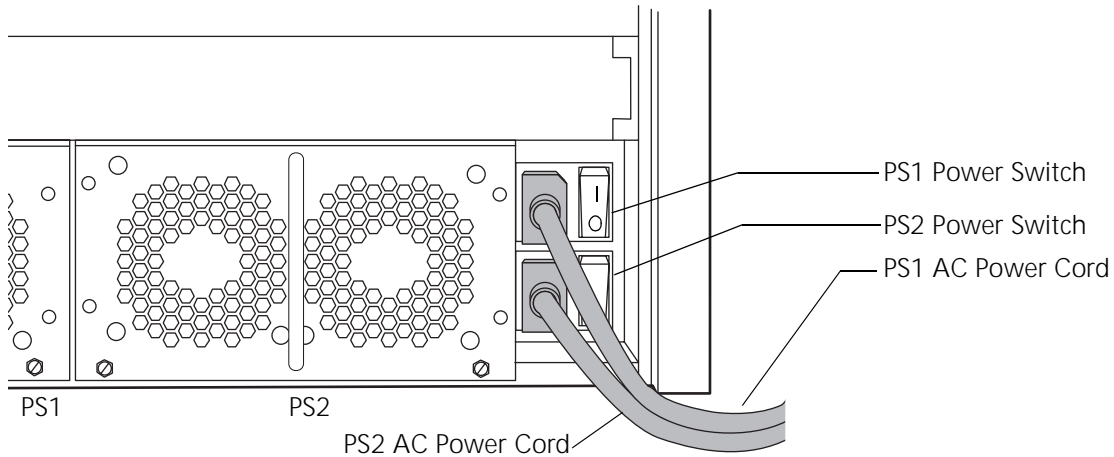


3. Use a flat-head screwdriver to tighten the two captive panel fasteners that secure the power supply to the chassis.

## Connecting an AC Power Cord

To connect an AC power cord to a CSS 11800:

1. Ensure that the CSS power switch is in the **0** (off) position.
2. Attach the power cord to the CSS by plugging the AC power cord connector into the power receptacle at the front of the chassis as shown in the illustration below.



3. Plug the power cord into a dedicated 3-wire grounding receptacle.
4. Switch on the power on the CSS.

## Removing a Power Supply

To remove a power supply:

1. If necessary, power down the CSS (if no redundant power supply is installed).
2. Loosen the captive panel fasteners on the power supply front panel.
3. Grasp the power supply handle and carefully pull the power supply out of the chassis.