



## Maintaining the Cisco MSE 3365

---

This chapter provides information about how to install or replace hardware components, and it includes the following sections:

- [Replacing Power Supplies, page 3-1](#)
- [Installing or Replacing Cisco MSE 3365 Components, page 3-4](#)

### Replacing Power Supplies

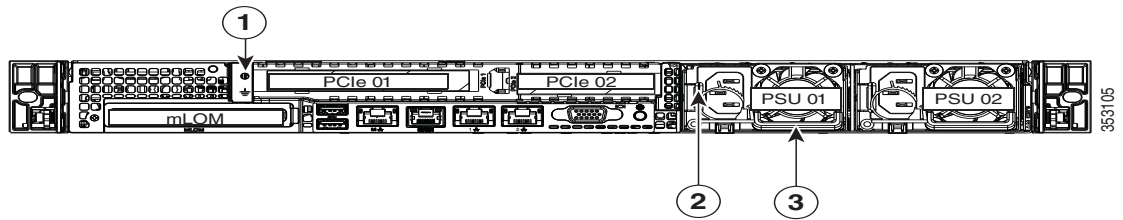
Cisco MSE 3365 ships with two power supplies. A replacement power supply (Part number MSE-PSU1-770W) can be obtained from Cisco to replace a failed power supply.

Cisco MSE 3365 also supports cold redundancy. Depending on the power being drawn by the server, one power supply might actively provide all power to the system while the remaining power supply is put into a standby state. For example, if you have two supplies connected to AC power, but the power consumption can be satisfied by power supply 1, then power supply 2 is put into a standby state.

- See [Power Specifications, page A-3](#) for more information about the power supplies.
- See [Rear Panel LEDs and Buttons, page 1-6](#) for information about the power supply LEDs.

- 
- Step 1** Remove the power supply that you are replacing (see [Figure 3-1](#)):
- Remove the power cord from the power supply that you are replacing.
  - Grasp the power supply handle while pinching the release lever toward the handle.
  - Pull the power supply out of the bay.
- Step 2** Install a new power supply:
- Grasp the power supply handle and insert the new power supply into the empty bay.
  - Push the power supply into the bay until the release lever locks.
  - Connect the power cord to the new power supply.

Figure 3-1 Removing and Replacing Power Supplies



1	Power supply release lever	2	Power supply handle
---	----------------------------	---	---------------------

## Preparing for Cisco MSE 3365 Component Installation

This section describes how to prepare for component installation, and it includes the following topics:

- [Serial Number Location, page 3-3](#)
- [Hot-Swap Replacement, page 3-3](#)

### Serial Number Location

The serial number for the server is printed on a label on the top of the server, near the front.

### Hot-Swap Replacement

Some components can be removed and replaced without powering off and removing AC power from the server.

- Hot-swap replacement—You do not have to precondition or shut down the component (or shut down the Cisco MSE) before you remove it. This applies to the following components.
  - Disk drives
  - Power supplies

# Installing or Replacing Cisco MSE 3365 Components



## Warning

Blank faceplates and cover panels serve three important functions: they prevent exposure to hazardous voltages and currents inside the chassis; they contain electromagnetic interference (EMI) that might disrupt other equipment; and they direct the flow of cooling air through the chassis. Do not operate the system unless all cards, faceplates, front covers, and rear covers are in place.

Statement 1029



## Caution

When handling server components, wear an ESD strap to avoid damage.



## Tip

You can press the unit identification button on the front panel or rear panel to turn on a flashing unit identification LED on the front and rear panels of the server. This button allows you to locate the specific server that you are servicing when you go to the opposite side of the rack. You can also activate these LEDs remotely by using the Cisco IMC interface. See the [Status LEDs and Buttons, page 1-3](#) for locations of these LEDs.

This section describes how to install and replace server components, and it includes the following topics:

- [Replacing Hard Drives, page 3-4](#)
- [Drive Replacement Procedure, page 3-4](#)

## Replacing Hard Drives

To replace a failed hard drive, you must first obtain a replacement drive from Cisco. The part number for a replacement drive for the Cisco MSE 3365 is MSE-A03-D600GA2.

## Drive Replacement Procedure



## Tip

You do not have to shut down or power off the server to replace SA/SATA hard drives or solid state drives because they are hot-swappable.

### Step 1

Remove the drive that you are replacing or remove a blank drive tray from the bay:

- a. Press the release button on the face of the drive tray. See [Figure 3-2](#).
- b. Grasp and open the ejector lever and then pull the drive tray out of the slot.
- c. If you are replacing an existing drive, remove the four drive-tray screws that secure the drive to the tray and then lift the drive out of the tray.

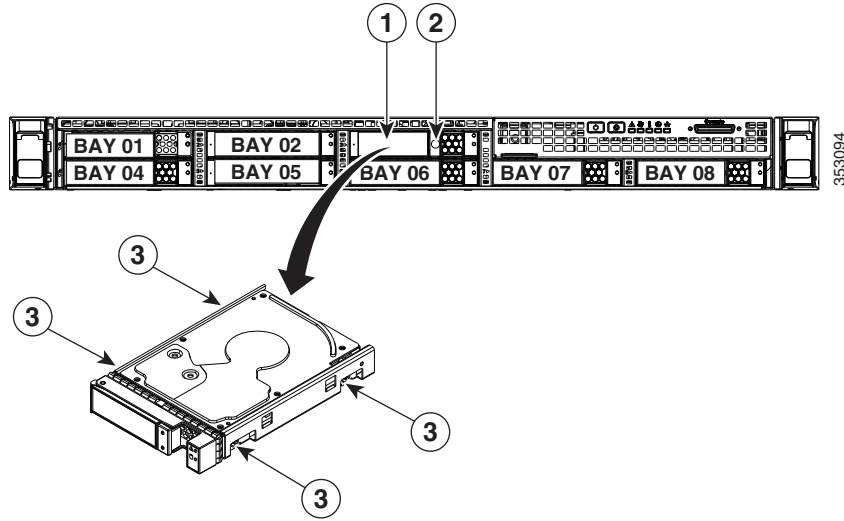
### Step 2

Install a new drive:

- a. Place a new drive in the empty drive tray and install the four drive-tray screws.
- b. With the ejector lever on the drive tray open, insert the drive tray into the empty drive bay.

- c. Push the tray into the slot until it touches the backplane, and then close the ejector lever to lock the drive in place.

**Figure 3-2** Replacing Hard Drives



1	Ejector lever	3	Drive tray securing screws (4)
2	Release button		-

