



CF Administration Guide, StarOS Release 21.12

First Published: 2019-02-14

Americas Headquarters

Cisco Systems, Inc.
170 West Tasman Drive
San Jose, CA 95134-1706
USA
<http://www.cisco.com>
Tel: 408 526-4000
800 553-NETS (6387)
Fax: 408 527-0883

THE SPECIFICATIONS AND INFORMATION REGARDING THE PRODUCTS IN THIS MANUAL ARE SUBJECT TO CHANGE WITHOUT NOTICE. ALL STATEMENTS, INFORMATION, AND RECOMMENDATIONS IN THIS MANUAL ARE BELIEVED TO BE ACCURATE BUT ARE PRESENTED WITHOUT WARRANTY OF ANY KIND, EXPRESS OR IMPLIED. USERS MUST TAKE FULL RESPONSIBILITY FOR THEIR APPLICATION OF ANY PRODUCTS.

THE SOFTWARE LICENSE AND LIMITED WARRANTY FOR THE ACCOMPANYING PRODUCT ARE SET FORTH IN THE INFORMATION PACKET THAT SHIPPED WITH THE PRODUCT AND ARE INCORPORATED HEREIN BY THIS REFERENCE. IF YOU ARE UNABLE TO LOCATE THE SOFTWARE LICENSE OR LIMITED WARRANTY, CONTACT YOUR CISCO REPRESENTATIVE FOR A COPY.

The Cisco implementation of TCP header compression is an adaptation of a program developed by the University of California, Berkeley (UCB) as part of UCB's public domain version of the UNIX operating system. All rights reserved. Copyright © 1981, Regents of the University of California.

NOTWITHSTANDING ANY OTHER WARRANTY HEREIN, ALL DOCUMENT FILES AND SOFTWARE OF THESE SUPPLIERS ARE PROVIDED "AS IS" WITH ALL FAULTS. CISCO AND THE ABOVE-NAMED SUPPLIERS DISCLAIM ALL WARRANTIES, EXPRESSED OR IMPLIED, INCLUDING, WITHOUT LIMITATION, THOSE OF MERCHANTABILITY, FITNESS FOR A PARTICULAR PURPOSE AND NON-INFRINGEMENT OR ARISING FROM A COURSE OF DEALING, USAGE, OR TRADE PRACTICE.

IN NO EVENT SHALL CISCO OR ITS SUPPLIERS BE LIABLE FOR ANY INDIRECT, SPECIAL, CONSEQUENTIAL, OR INCIDENTAL DAMAGES, INCLUDING, WITHOUT LIMITATION, LOST PROFITS OR LOSS OR DAMAGE TO DATA ARISING OUT OF THE USE OR INABILITY TO USE THIS MANUAL, EVEN IF CISCO OR ITS SUPPLIERS HAVE BEEN ADVISED OF THE POSSIBILITY OF SUCH DAMAGES.

Any Internet Protocol (IP) addresses and phone numbers used in this document are not intended to be actual addresses and phone numbers. Any examples, command display output, network topology diagrams, and other figures included in the document are shown for illustrative purposes only. Any use of actual IP addresses or phone numbers in illustrative content is unintentional and coincidental.

All printed copies and duplicate soft copies of this document are considered uncontrolled. See the current online version for the latest version.

Cisco has more than 200 offices worldwide. Addresses and phone numbers are listed on the Cisco website at www.cisco.com/go/offices.

Cisco and the Cisco logo are trademarks or registered trademarks of Cisco and/or its affiliates in the U.S. and other countries. To view a list of Cisco trademarks, go to this URL: [www.cisco.com go trademarks](http://www.cisco.com/go/trademarks). Third-party trademarks mentioned are the property of their respective owners. The use of the word partner does not imply a partnership relationship between Cisco and any other company. (1721R)

© 2019 Cisco Systems, Inc. All rights reserved.



CONTENTS

PREFACE

About this Guide	vii
Conventions Used	vii
Supported Documents and Resources	viii
Contacting Customer Support	ix

CHAPTER 1

Content Filtering Support Overview	1
Introduction	1
Qualified Platforms	2
Licenses Requirements	2
URL Blacklisting Support	2
URL Blacklisting Solution Components	3
How URL Blacklisting Works	4
Blacklist Updates	4
URL Blacklisting Action	5
Category-based Content Filtering Support	6
Benefits of Category-based Content Filtering	6
ECS and Content Filtering Application	7
Components of Category-based Content Filtering Solution	8
Category-based Content Filtering Subsystem	9
Content Rating Rules Update Server	9
Cisco Datacenter Server	10
External Storage System	10
RADIUS Server and Policy Manager	10
Web Element Manager (WEM)	11
Mobility Unified Reporting System	13
How Category-based Content Filtering Works	13

How URL Blacklisting and Category-based Content Filtering Work Concurrently 16

Content Filtering Server Group Support 17

External Storage System 18

Bulk Statistics Support 18

Minimum System Requirements and Recommendations 18

CHAPTER 2

Content Filtering Service Configuration 21

Configuring the System for Content Filtering Support 21

 Initial Configuration 22

 Activating Processing Cards 22

 Modifying the Local Context 22

 Creating the VPN Context 23

 URL Blacklisting Configuration 23

 Enabling ACS Subsystem 23

 Configuring URL Blacklisting Database Parameters 24

 Creating Active Charging Service and Setting URL Blacklisting Matching 24

 Enabling URL Blacklisting in Rulebase and Configuring Blacklisting Action 24

 Loading/Upgrading URL Blacklisting Database 24

 Testing URL Blacklisting Functionality 24

 Category-based Content Filtering Configuration 25

 Enabling ACS Subsystem 25

 Configuring Content Rating Rule Database Parameters 25

 Creating Active Charging Service and Content Filtering Policy 26

 Configuring Content Filtering Policy 26

 Configuring Rulebase for Content Filtering 26

 Enabling Category-based Content Filtering Support 27

 Configuring Event Detail Record (EDR) 27

 Verifying the Configuration 28

 Gathering Statistics 29

CHAPTER 3

Content Filtering Database Support for URL Classification 33

Feature Summary and Revision History 33

Feature Description 34

How It Works 34

Configuring Content Filtering Database Support for URL Classification	35
Monitoring and Troubleshooting	36
Show Commands and/or Outputs	36
show active-charging content-filtering category statistics	36
show active-charging content-filtering category statistics debug-only	37
System Logs	38

APPENDIX A	Category List	39
-------------------	----------------------	-----------



About this Guide

This preface describes the *CF Administration Guide*, how it is organized and its document conventions.

Content Filtering (CF) is a StarOS™ in-line service application that runs on Cisco® ASR 5500 platform.

CF enables operators to filter and control the content that an individual subscriber can access, so that subscribers are inadvertently not exposed to universally unacceptable content and/or content inappropriate as per the subscribers' preferences. This service is available for 3GPP and 3GPP2 networks to filter HTTP and WAP requests from mobile subscribers based on the URLs in the requests.

- [Conventions Used, on page vii](#)
- [Supported Documents and Resources, on page viii](#)
- [Contacting Customer Support, on page ix](#)

Conventions Used

The following tables describe the conventions used throughout this documentation.

Notice Type	Description
Information Note	Provides information about important features or instructions.
Caution	Alerts you of potential damage to a program, device, or system.
Warning	Alerts you of potential personal injury or fatality. May also alert you of potential electrical hazards.
Typeface Conventions	Description
Text represented as a screen display	This typeface represents displays that appear on your terminal screen, for example: Login :

Typeface Conventions	Description
Text represented as commands	This typeface represents commands that you enter, for example: show ip access-list This document always gives the full form of a command in lowercase letters. Commands are not case sensitive.
Text represented as a command variable	This typeface represents a variable that is part of a command, for example: show card slot_number <i>slot_number</i> is a variable representing the desired chassis slot number.
Text represented as menu or sub-menu names	This typeface represents menus and sub-menus that you access within a software application, for example: Click the File menu, then click New

Supported Documents and Resources

Related Common Documentation

The following common documents are available:

- *AAA Interface Administration and Reference*
- *Command Line Interface Reference*
- *GTPP Interface Administration and Reference*
- *Installation Guide* (platform dependant)
- *Release Change Reference*
- *SNMP MIB Reference*
- *Statistics and Counters Reference*
- *System Administration Guide* (platform dependant)
- *Thresholding Configuration Guide*

Related Product Documentation

The most up-to-date information for this product is available in the product Release Notes provided with each product release.

The following product documents are also available and work in conjunction with CF:

- *GGSN Administration Guide*

- *HA Administration Guide*
- *PDSN Administration Guide*
- *P-GW Administration Guide*

Obtaining Documentation

The most current Cisco documentation is available on the following website:

<http://www.cisco.com/cisco/web/psa/default.html>

Use the following path selections to access the CF documentation:

Products > Wireless > Mobile Internet > In-Line Services > Cisco Content Filtering

Contacting Customer Support

Use the information in this section to contact customer support.

Refer to the support area of <http://www.cisco.com> for up-to-date product documentation or to submit a service request. A valid username and password are required to access this site. Please contact your Cisco sales or service representative for additional information.



CHAPTER 1

Content Filtering Support Overview

This chapter provides an overview of the Content Filtering In-line Service feature.

This chapter covers the following topics:

- [Introduction, on page 1](#)
- [URL Blacklisting Support, on page 2](#)
- [Category-based Content Filtering Support, on page 6](#)
- [How URL Blacklisting and Category-based Content Filtering Work Concurrently, on page 16](#)
- [Content Filtering Server Group Support, on page 17](#)
- [External Storage System, on page 18](#)
- [Bulk Statistics Support, on page 18](#)
- [Minimum System Requirements and Recommendations, on page 18](#)

Introduction

Content Filtering is an in-line service available for 3GPP and 3GPP2 networks to filter HTTP and WAP requests from mobile subscribers based on the URLs in the requests. This enables operators to filter and control the content that an individual subscriber can access, so that subscribers are inadvertently not exposed to universally unacceptable content and/or content inappropriate as per the subscribers' preferences.

The CF in-line service works in conjunction with the following products:

- GGSN
- HA
- PDSN
- P-GW

The Content Filtering service offers the following solutions:

- URL Blacklisting:

In the URL Blacklisting solution, all HTTP/WAP URLs in subscriber requests are matched against a database of “blacklisted” URLs. If there is a match, the flow is discarded, redirected, or terminated as configured. If there is no match, subscribers view the content as they would normally.

URL Blacklisting may/may not be a subscriber opt-in service, operators can enable URL Blacklisting either for all subscribers or for a subset of subscribers. Typical cases include applying a blacklisted

database of child porn URLs to all subscribers so that they are inadvertently not exposed to such universally unacceptable content.

- Category-based Static Content Filtering:

In Category-based Static Content Filtering, all HTTP/WAP URLs in subscriber requests are matched against a static URL categorization database. Action is taken based on a URL's category, and the action configured for that category in the subscriber's content filtering policy. Possible actions include permitting, blocking, redirecting, and inserting content.

Typically Category-based Content Filtering is an opt-in service, subscribers self-choose a content-filtering policy or plan, such as Teen, Child, Adult, etc., and are subjected to content filtering as per their chosen plan. Also, the content filtering policies of different subscribers may be different, enabling differential access of content to them. This solution provides maximum flexibility, and is also referred to as the Policy-based Content Filtering.

Both URL Blacklisting and Category-based Content Filtering support can be concurrently enabled on a system.

Content Filtering uses Deep Packet Inspection (DPI) feature of Enhanced Charging Service (ECS) / Active Charging Service (ACS) to discern HTTP and WAP requests.

Qualified Platforms

CF is a StarOS in-line service application that runs on Cisco ASR 5500 platform. For additional platform information, refer to the appropriate *System Administration Guide* and/or contact your Cisco account representative.

Licenses Requirements

The URL Blacklisting, Category-based Content Filtering and External Content Filtering Server support through Internet Content Adaptation Protocol (ICAP) interface are licensed Cisco features. Separate feature licenses may be required. Contact your Cisco account representative for detailed information on specific licensing requirements. For information on installing and verifying licenses, refer to the *Managing License Keys* section of the *Software Management Operations* chapter in the *System Administration Guide*.

For more information on ICAP feature, see the *ICAP Interface Support* appendix in the administration guide for the product that you are deploying.

URL Blacklisting Support

In the URL Blacklisting solution, a blacklist is a list of known URLs/URIs, which for some reason are being denied recognition. The blacklist can be obtained from a known source such as the National Center for Missing & Exploited Children (NCMEC, <http://www.missingkids.com>), Internet Watch Foundation (IWF) or any other IP source. The blacklist file is obtained from various sources in known formats and converted into a non human-readable optimized format (OPTBLDB) and then made available in the system. NCMEC database is provided in plain text whereas IWF database is provided in OPTBLDB format. For more information on the blacklist file, please contact your Cisco account service representative.



Important NCMEC database is provided by an external source, whereas IWF database is provided by Cisco.

Unlike the Category-based Content Filtering solution, which categorizes URLs as per a static database and takes different actions based on the different policies associated with subscribers, URL Blacklisting is applicable to all subscribers associated with a blacklisting-enabled rulebase. The same blacklist database is used for all subscribers, and for a specific URL, the same action is taken for all subscribers.

The blacklist file is downloaded and converted into a non human-readable optimized format (OPTBLDB) and then made available in the system. Once in place, all HTTP and WAP requests from subscribers are inspected in order to determine the requested destination URL/URI. If the URL/URI is not present in the blacklist then the request is passed on as usual. If the URL/URI is present in the blacklist, the request is dropped, or the flow is redirected or terminated as configured. There is no indication/messaging sent to the requesting subscribers that the requested HTTP/WAP URL/URI was rejected due to a blacklist match.

The blacklisting file can contain up to 32K URLs and the expected average size of blacklisting database (DB) is 2.5 to 5K.

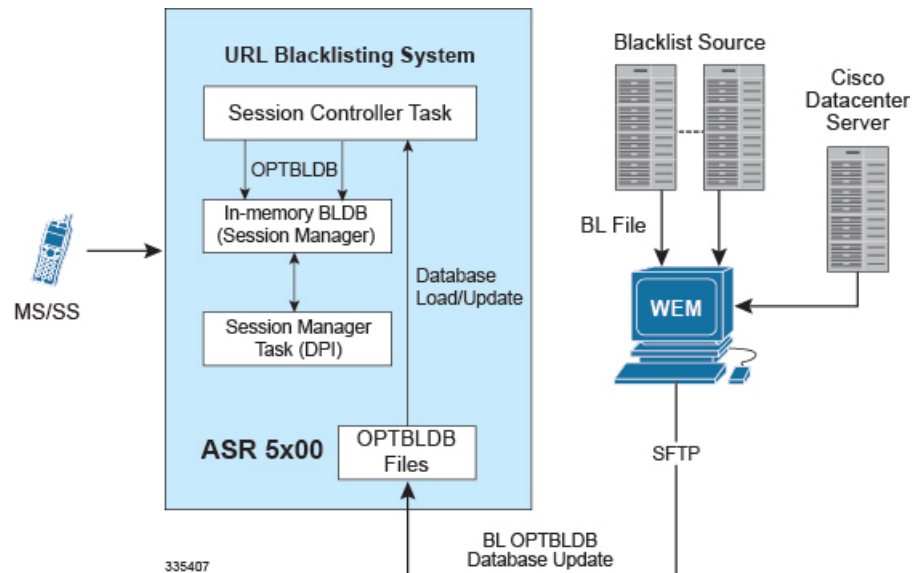
The URL Blacklisting match-method can be configured to either be generic or to look for any URL/URI in its exact, literal form.

The system generates usage/event data that can be utilized as the basis for blacklist reporting. The offline reports consist of, at a minimum, a running total of the number of times a match was made against the blacklist without any information regarding the specifics of the request.

The default/configured number of versions of the Blacklist database are maintained on the chassis (both the SPCs). This enables reverting to a particular version if required.

The following figure shows the high-level URL Blacklisting architecture with ECS, and other components in a deployment scenario.

Figure 1: High-Level Architecture of URL Blacklisting with ECS



URL Blacklisting Solution Components

The URL Blacklisting solution uses the deep-packet inspection capabilities of ECS for URL/URI extraction. ECS functionality is managed by the following components:

- **Session Controller (SessCtrl):** The SessCtrl runs on the primary SPC/SMC and is responsible for managing ECS and URL Blacklisting services.
- **Session Manager (SessMgr):** A single SessMgr treats ECS charging and URL Blacklisting that is applicable to common subscriber sessions.

Apart from ECS, the URL Blacklisting solution uses the following components:

- Content Filtering Subsystem in ECS
- Web Element Manager (WEM)

Web Element Manager (WEM)

The WEM is a server-based application enabling complete element management of the system. The UNIX-based server application works with the network elements within the system using the Common Object Request Broker Architecture (CORBA) standard.

The WEM server must be set up with access to the following networks:

- Internet—to communicate with the source of the blacklist file (NCMEC/IWF/other)

The WEM application includes the following features:

- Single point of management for a large operator deployment
 - Service configuration and monitoring
 - Alarm/trap management for the WEM server
- URL Blacklisting database management functions:
 - Downloads the URL Blacklist database in OPTBLDB format from NCMEC or IWF, at configured schedule. The OPTBLDB file from NCMEC and IWF is merged and then pushed to the chassis.
 - Computes OPTBLDB suitable for updating the system.
- Distributes OPTBLDB files to the chassis automatically at configured interval.



Important For more information on WEM, refer to the *Cisco Web Element Manager Installation and Administration Guide*.

How URL Blacklisting Works

This section describes how URL Blacklisting works.

Blacklist Updates

The following steps describe how the blacklist is updated in the system:

-
- Step 1** The WEM downloads the blacklist file from the specified source (NCMEC/IWF/other). NCMEC provides the file in clear text format which is then converted into a non-human readable optimized format (OPTBLDB), and IWF database provides the file in OPTBLDB format. The merged OPTBLDB file (NCMEC and IWF) is then pushed to the chassis.
- Step 2** The WEM pushes the optblk.bin file to the chassis (to /flash/bl) at pre-determined intervals. The optblk.bin file contains the full blacklist. If this file is verified to be correct, it replaces the optblk.bin file on the chassis and the last optblk.bin is rolled over.
- Step 3** The blacklist file is auto-detected by the Session Controller (SessCtrl), which verifies the integrity of the Blacklist database using checksums, and then loads it.
- The new blacklist is loaded only if it has been received properly. If the full Blacklist database is not found, corrupted, or if the loading fails, traps are generated. Correspondingly clear traps are also generated on a valid Blacklist database being available, and after a successful load.
- Step 4** The SessMgrs read the file and load the blacklisted URLs in a local in-memory database.
- Important** The URL Blacklisting feature is enabled only if the url-blacklisting action is set in any of the rulebases. Thus, the automatic detection of the Blacklist database, storing it in memory, and loading onto the SessMgrs will happen only if the url-blacklisting action is set in any of the rulebases.
- Step 5** The Blacklist database is loaded on each SessMgr as and when they come up (if URL Blacklisting is set in any rulebase) or when URL Blacklisting gets set in any of the rulebases.
- When the SessMgrs start for the first time or after recovery, if URL Blacklisting is set in any of the rulebases, the stored Blacklist database at SessCtrl is loaded onto the SessMgrs. This holds true for standby managers as well i.e., when standby managers come up, the Blacklist database is loaded onto them.
- Whenever a SessMgr is killed, standby manager which already has the Blacklist database loaded takes its place, and a new standby manager is created which loads the Blacklist database as part of SessMgr getting started for the first time.
- If SessCtrl is killed, while recovering it checks if URL Blacklisting is set in any of the rulebases, if set it will store the Blacklist database onto itself and load all the SessMgrs as well.
- Step 6** When a new Blacklist database is loaded on to the SessMgrs, the new database (and any stored versions that have rolled over) are synced to the other SPC so that after switchover, the proper Blacklist database can be accessed.
-

URL Blacklisting Action

The following steps describe how the URL Blacklisting feature works:

-
- Step 1** When an initial HTTP/WAP request comes for ECS processing and is processed by the ECS subsystem, a check is made to see if the URL Blacklisting support is enabled.
- Step 2** If enabled, the URL is extracted from the incoming request and is matched with the local in-memory Blacklist database. If a match is found for the URL in the Blacklist database, the packets are treated as per the blacklisting action configured—Discard, Redirect, or Terminate flow.
- In case of multiple HTTP requests in the same TCP packet, if any of the URLs match the packet is treated as per the blacklisting action configured.
- If a match is not found, the request is allowed to pass through.
-

Category-based Content Filtering Support

The Category-based Content Filtering application is a fully integrated, subscriber-aware in-line service provisioned on chassis running HA services. This application is transparently integrated within the ECS, and utilizes a distributed software architecture that scales with the number of active HA sessions on the system.

Content Filtering policy enforcement is the process of deciding if a subscriber should be able to receive some content. Typical options are to allow, block, or replace/redirect the content based on the rating of the content and the policy defined for that content. For the list of content categories, refer to the *Category List* appendix in this guide.

Benefits of Category-based Content Filtering

The Category-based Content Filtering solution enables operators to ensure a simplified end-to-end traffic flow with a simple network topology. In-line deployment of Content Filtering provides a more attractive solution in contrast to out-of-line solutions where the filtering and policy enforcement is provided at some offload point that is decoupled from the bearer-processing layer.

The out-of-line model forces a session to make multiple hops through a redundant array of equipment which has a negative impact on traffic latency and limits subscriber and network visibility. In addition, the out-of-line model requires all subscriber sessions to be steered to the adjunct Content Filtering platform for policy enforcement regardless of whether this additional processing is needed. This leads to increased bandwidth provisioning requirements on gateway routers.

To facilitate network simplicity, it makes sense to leverage the benefits of deep packet inspection at a single policy enforcement point that is tied to the bearer processing layer. The advantages of this approach implemented in include the following benefits:

- **Reduced processing latency:** In-line service processing eliminates unnecessary hand-offs and forwarding to external network elements.
- **Simplified policy provisioning:** Enables all policies like Content Filtering, ECS and QoS to be retrieved from same AAA/Policy Manager signaling interface thus reducing total volume of control transactions and associated delay.
- **Simplified provisioning and complete service integration:** Provisioning of separate resources like packet processing cards for processing subscriber data sessions and discrete services are eliminated. The same CPU can contain active Session Manager tasks for running Content Filtering and ECS charging.
- **Integration with Content Service Steering (CSS) architecture:** Enables applicable sessions to be forwarded to the in-line content filtering subsystem while delay and time sensitive voice/multimedia services immediately forwarded to Internet.
- **Service control:** Precise control over the interaction and service order handling of bearer flows with required applications like Content Filtering, ECS, Subscriber-aware Stateful Firewall, integrated Policy Charging and Rules Function (PCRF) for Service Based Bearer Control.

Apart from the advantages described previously, Category-based Content Filtering service reduces the requirement of over-provisioning of capacity at neighboring gateway routers. It also eliminates requirements of external Server Load Balancers and enhances the accuracy in subscriber charging records.

The Category-based Content Filtering solution has the following logical functions:

- Deep Packet Inspection (DPI) for Content Rating (event detection and content extraction)

- Content Rating Function with Static Rating of URLs
- Content Rating Policy Enforcement; for example, permit, discard, deny, redirect
- Content-ware accounting CF-EDR generation for events of interest

**Important**

Category-based Content Filtering can work in Static-only mode. Static-and-Dynamic and Dynamic-only Content Filtering modes are not supported.

ECS and Content Filtering Application

The Category-based Content Filtering subsystem is integrated within the Enhanced Charging Service (ECS) subsystem. Although it is not necessary to provision content-based charging in conjunction with content filtering, it is highly desirable as it enables a single point of deep-packet inspection for both services. It also enables a single policy decision and enforcement point for both services thereby streamlining the required number of signaling interactions with external AAA/Policy Manager servers. Utilizing both services also increases billing accuracy of charging records by insuring that mobile subscribers are only charged for visited sites content.

The Category-based Content Filtering solution uses Content Filtering Policy to analyze the content requested by subscribers. Content Filtering Policy provides a decision point for analyzed content on the basis of its category and priority.

The Category-based Content Filtering solution also utilizes ECS rulebases in order to determine the correct policy decision and enforcement action such as accept, block, redirect, or replace. Rulebase names are retrieved during initial authentication from the AAA/Policy Manager. Some possible examples of rulebase names include Consumer, Enterprise, Child, Teen, Adult, and Sport. Rulebase names are used by the ECS subsystem to instantiate the particular rule definition that applies for a particular session. Rulebase work in conjunction with a content filtering policy and only one content filtering policy can be associated with a rulebase.

For more information on rulebases and rule definitions, refer to the *Enhanced Charging Services Administration Guide*.

The CF Policy ID can be enabled depending on the subscriber (Child, Adult, etc.) and not based on the subscriber's device. This can be configured through PCRF for Gx using the **SN-CF-Policy-ID** attribute. For more information, refer to the *Subscriber Configuration* section in the *Content Filtering Service Configuration* chapter of this guide.

**Important**

If the **SN-CF-Policy-ID** sent by PCRF is 0 or junk (not configured on GGSN), then that value is ignored and the value of CF Policy ID remains to what it was before the PCRF message came (default, not set or any other value). For more information on this attribute, refer to the *AAA Interface Administration and Reference*.

The ECS subsystem includes L3–L7 deep packet inspection capabilities. It correlates all L3 packets with higher layer criteria such as URL detection within an HTTP header, it also provides stateful packet inspection for complex protocols like FTP, RTSP, and SIP that dynamically open ports for the data path.

The Content Filtering subsystem uses the deep-packet inspection capabilities of ECS for URL/URI extraction.

ECS functionality is managed by the following components:

- **Session Controller (SessCtrl):** The SessCtrl runs on the primary SPC/SMC and is responsible for managing ECS and Content Filtering services.
- **Session Manager (SessMgr):** A single SessMgr treats ECS charging and Content Filtering that is applicable to common subscriber sessions.

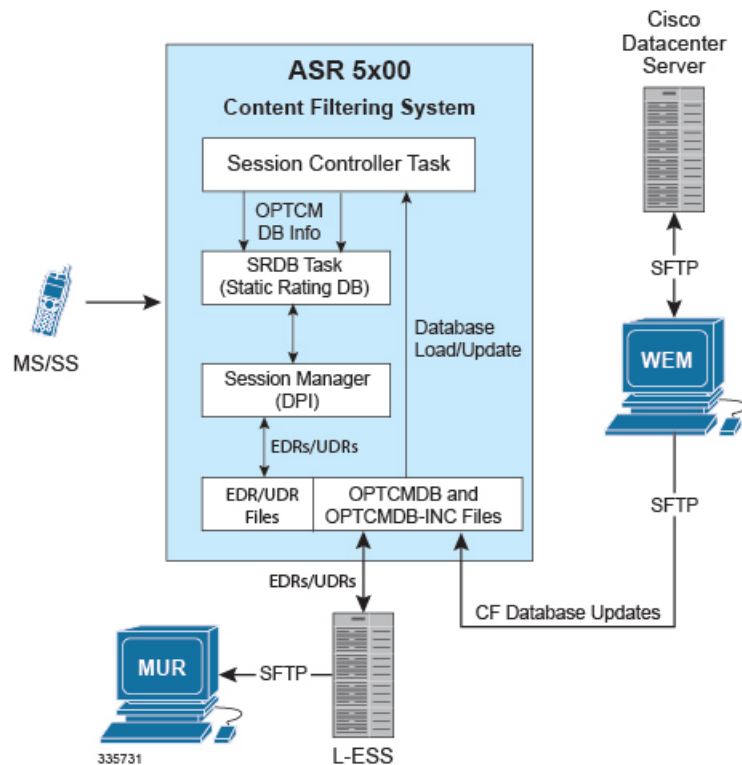
Components of Category-based Content Filtering Solution

The Category-based Content Filtering solution uses the following components:

- Content Filtering Subsystem in ECS
- Cisco Datacenter Server
- ECS Storage System (ESS)
- RADIUS Server/Policy Manager
- Content Rating Rules Update Server
- Web Element Manager (WEM)
- Mobility Unified Reporting (MUR) System

The following figure shows a high-level view of the Category-based Content Filtering architecture with ECS, and other components in a deployment scenario.

Figure 2: High-Level Architecture of Category-based Content Filtering



Category-based Content Filtering Subsystem

This is an internal categorization database (periodically synchronized with an external server) that provides ratings for publicly accessible traditional and mobile Web sites. When the SessMgr passes a URL/URI to internal list server, the list server returns a list of matching category ratings.

Static Rating Categorization Database (SRDB)

This is an internal categorization database (periodically synchronized with an external server) that provides ratings for publicly accessible traditional and mobile Web sites. When the SessMgr passes a URL/URI to internal list server, the list server returns a list of matching category ratings.

The list server is used to determine whether a Web site has already been classified. When the list server passes back a category rating to the filtering application, the rating is compared against the Category Policy ID applied for the subscriber to determine the appropriate action like accept, block, redirect, or replace. If the list server returns a clean rating, there is no need to perform a real-time analysis of any content delivered by the site.

The list server is used to determine whether a Web site has already been classified. When the list server passes back a category rating to the filtering application, the rating is compared against the Category Policy ID applied for the subscriber to determine the appropriate action like accept, block, redirect, or replace. If the list server returns a clean rating, there is no need to perform a real-time analysis of any content delivered by the site.

When a blocked or rejected content rating is returned, the SessMgr can insert data such as a redirect server address into the bearer data stream. If no rating is returned this means the site is capable of returning either clean or unacceptable content. In this case, the Content Filtering application uses the real-time dynamic analysis engine to examine additional content served by the site.

Each SRDB contains a replication object consisting of hash tables that map known Web sites and their subdirectories to their respective category ratings. The SessCtrl reads the index of SRDB tables with a data structure that associates keys with URL rating values and loads it onto the SRDB managers.

To boost performance and provide high availability, SRDB Manager provides functionality to load the Optimized Content Rating Master Database (OPTCMDB) volumes from its peer SRDB task. If the peer SRDB task is not in loading state then the OPTCMDB loading is done through SessCtrl to the recovered SRDB task.

DCCA Buffering Support

Static Content Filtering now interworks with DCCA buffering. Earlier, Static CF could buffer multiple packets at the same flow for rating and DCCA could handle buffering of single packet per flow. So, Static CF would not interwork with DCCA when DCCA buffering is enabled.

With the current implementation, CF does not send packets to DCCA after CF's rating, if DCCA has already buffered packets. When DCCA gets response of the buffered packet and has processed that packet, it will check if there are packets pending at CF to be processed, and will handle those packets one at a time. The remaining packets of the flow will be processed normally.

Content Rating Rules Update Server

This is a third-party content rating solution for exporting content filtering rules database information to the Category-based Content Filtering system. In addition, while exporting database updates, it collects reports of URLs processed by ECS and Content Filtering services that are reported as unknown in the deployed static rating database. This server analyzes these URLs and provides the rating in future updates for static rating database.

This server provides the following support to Cisco Datacenter Server for the content rating function:

- Provides full Vendor Format Master Database files (VFMDB) to Cisco Datacenter Server on request from Cisco Datacenter Server.
- Provides incremental Vendor Format Master Static URL Database file (VFMDB-INC) to Cisco Datacenter Server when any incremented VFMDB is available and requested from Cisco Datacenter Server.
- Receives the Unknown URLs file (Vendor Format Unknown Database File (VFUNKDB)) from Cisco Datacenter Server.

Cisco Datacenter Server

The Category-based Content Filtering solution provides a Cisco Datacenter Server to convert the VFMDB to SFMDB. It handles both full and incremental updates and processes them on a configured schedule.

This server is also responsible for distribution of SFMDB data files to WEM servers in the customer support infrastructure on a configured interval.

The server is responsible for following functionality as the Cisco Datacenter Server solution:

- Database fetching: Pulls VFMDB files from third-party Content Rating Server to Cisco Datacenter Server.
- Database conversion: Converts VFMDB files to SFMDB files. It also handles the incremented and unknown database files.
- Database poller: Provides the converted SFMDB database files for WEM in a preconfigured path.
- E-mail notification: Provides alerts and notification to the administrator for alarms.

External Storage System

The local external storage server is a part of ECS Storage System in the ECS solution architecture.

The L-ESS is a storage application running on redundant highly available servers that collect and process EDRs and UDRs from which billing events and reports are generated. Either the system pushes the EDR/UDR files to the L-ESS, or the L-ESS fetches them from the system and processes them into formats suitable for billing mediation servers and MUR server. The L-ESS consolidates the processed EDR/UDR files into a database for report generation through MUR. The database generated on an ESS by processing EDR/UDR records is a superset of the database required by MUR.



Important

For more information on External Storage System, refer to the *ESS Installation and Administration Guide*.

RADIUS Server and Policy Manager

The function of the RADIUS Server/Policy Manager in the Content Filtering solution is to provide per-subscriber Content Filtering provisioning information when a subscriber's session is established. It can also issue a Change-of- Authorization (CoA) to update an in-progress session to modify the Content Filtering policy for a subscriber.

The following are the basic functions provided by a RADIUS Server/Policy Manager in the Content Filtering solution:

- Support for the in/out ACL attributes to direct traffic through ECS for processing of subscriber traffic
- Support for ECS rulebase VSA to select the ECS rulebase to be applied to filtered traffic
- Support for Content Filtering Policy identifier VSA to select the content filtering policy within the selected rulebase for a subscriber
- Support exporting a subscriber provisioning record based on MSID to the customer service interface (Customer Care Interface) so that operator's customer care executive can see the provisioned content filtering policy for a subscriber

Web Element Manager (WEM)

The WEM is a server-based application providing complete element management of the system. The UNIX-based server application works with the network elements within the system using the Common Object Request Broker Architecture (CORBA) standard.

WEM server must be set up with access to the following networks:

- Internet: To communicate with the Cisco Datacenter Server which provides update files.

For Category-based Content Filtering, the WEM application includes the following features:

- Single point of management for a large Content Filtering Service operator deployment:
 - Content Filtering service configuration and monitoring
 - Alarm/trap management
- Configures and manages the operator-defined White/Black static rating database (WBLIST) for the network (WBLIST is maintained in SFMDB format).

For information on how to configure WBLIST, refer to the *Configuring WBLIST* section in this chapter.

- Content filtering database management functions:
 - Performs database processing in the background
 - Imports full and incremental SFMDB and SFMDB-INC files from the Cisco Datacenter Server on a configured schedule
 - Processes incremental SFMDB-INC updates from Cisco Datacenter Server maintaining an updated SFMDB file
 - Merge the operator's WBLIST database with the most recent SFMDB creating a SFCMDB
 - Computes an incremental update to the OPTCMDB-INC suitable for updating the Content Filtering subsystem that contains a previous version OPTCMDB
- Distributes OPTCMDB/OPTCMDB-INC files to the chassis automatically at configured interval. The initial file must be transferred manually for the automated push from WEM to work.



Important

For information on WEM, refer to the *Cisco Web Element Manager Installation and Administration Guide*.

Configuring WBLIST

Perform the following steps to configure WBLIST by the operator.

1. Create a WBLIST source file using the following command in a text editor:

```
vi wblast.txt
```

Enter the URLs to be categorized in the below format (URL category):

```
playboy.com DYNAM
```

```
colt.com DYNAM
```

```
dollarsgambling.com DYNAM
```

```
erowid.org DYNAM
```

```
sexetc.org DYNAM
```

2. Build **wblast.pub** file.

- WBLIST tool is available at `<EMS_Server>/server/tools/`.

- Generate the **wblast.pub** file as given below:

```
[root@pnqaextappsucs210-05 tools]# ./wblast -help
```

```
----- WHITE BLACK LIST Utility -----
```

```
-----
```

Usage :

-f <path> : path is wblast source file path

-o <output path> : WBLIST will be created at <path>/wblast.pub

: [default : current path]

-v <version> : WBLIST version number

: [default 1]

-h : Help

```
-----
```

```
[root@pnqaextappsucs210-05 tools]#
```

For example:

```
[root@pnqaextappsucs210-05 tools]# ./wblast -f wblast.txt -o
```

```
/export/home/SQA/ems/server/flash/cf/cfdatabases/wblastdb/ -v 2
```

```
----- WHITE BLACK LIST Utility -----
```

```
Setting WBLIST file path : /export/home/SQA/ems/server/flash/cf/cfdatabases/wblastdb//wblast.pub
```

```
-----
```

Source File : wblast.txt

WBLIST file path : /export/home/SQA/ems/server/flash/cf/cfdatabases/wblastdb//wblast.pub

```
-----
```

```
[root@pnqaextappsucs210-05 tools]#
```

3. This **wblist.pub** file automatically gets merged with the SFMDB if created at `<EMS Server>/server/flash/cf/cfdatabases/wblistdb/`.

Mobility Unified Reporting System

The Mobility Unified Reporting (MUR) application is a Web-based application providing a unified reporting interface for diverse data from the in-line service and storage applications. The MUR application provides comprehensive and consistent set of statistics and customized reports, statistical trending, report scheduling and distribution from chassis / in-line service product. For example, a subscriber's Quality of Experience, top 10 sites visited, top 10 users, and so on. The MUR application facilitates and enhances the operators' ability to simply and easily determine the health and usage of the network.

The MUR application supports the generation of various reports including CF-EDR reports in PDF and XML formats. The CF-EDR reports provide the summary of traffic over CF categories, CF actions, and CF ratings. It also provides the list of top N subscribers and URLs based on their unique subscriber's hit count and total usage.

- Summary Reports:
 - Category summary (volume/hits)
 - Action summary (volume/hits)
 - Rating summary (volume/hits)
- Top N Reports:
 - Top N Subscribers by volume/hits
 - Top N URLs by volume/hits

The CF-EDR files are pushed from L-ESS to MUR at a configured time interval and stored in a specified data directory on the MUR server. It can also create the files from CF-EDRs for unrated URLs which can be pulled by WEM.

For more information on the reports, refer to the *Mobility Unified Reporting System Online Help* documentation.

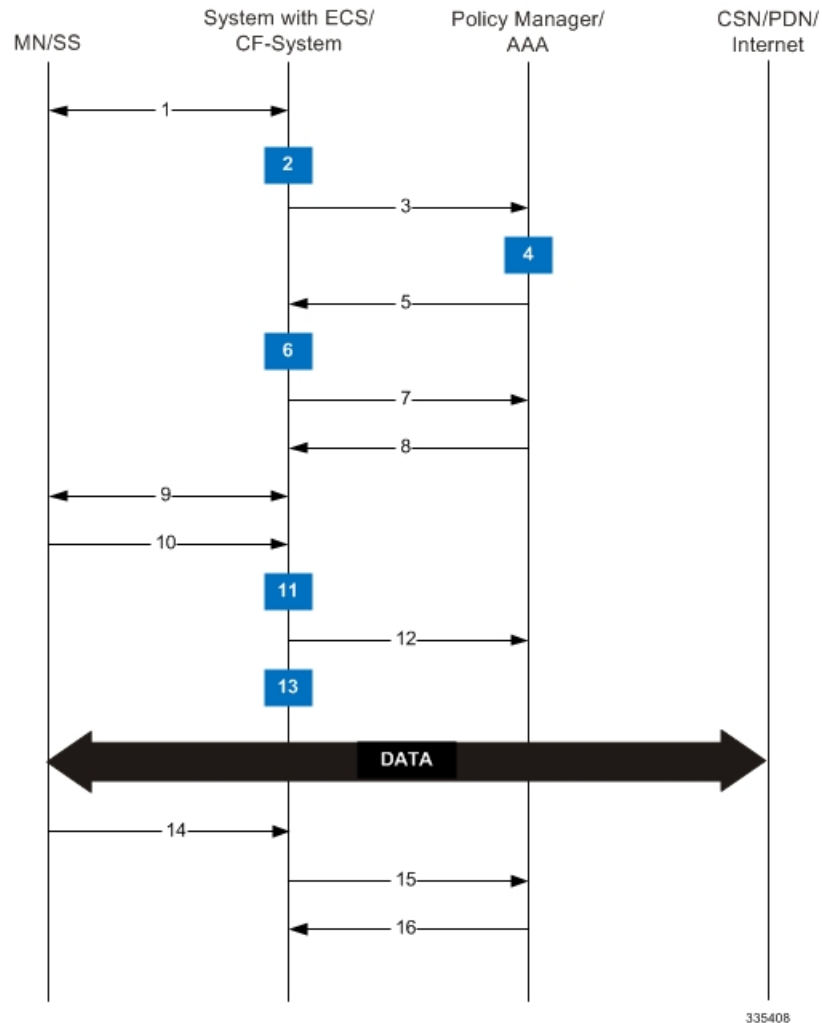
How Category-based Content Filtering Works

The Content Filtering Subsystem which is integrated into the ECS subsystem consists of an onboard static categorization database. The filtering service uses the Deep Packet Inspection (DPI) capabilities of the ECS subsystem to classify and partition application or protocol specific flows into virtual sessions.

Content analyzers are used to identify various types of flows such as HTTP, MMS/WAP, and POP3 E-mail. A typical HTTP request for a Web page, for example, invokes TCP and HTTP traffic analyzers. Any HTTP field including URLs or URIs can be identified. When a subscriber session is bound by CSS to an ECS running content filtering service, the URL/URI is extracted and compared against the static categorization database.

The following figure and the steps describe how Category-based Content Filtering works during a subscriber call:

Figure 3: Content Filtering Call Flow



335408

- Step 1** MS requests for registration to the system.
- Step 2** System processes MS-related information with Content Filtering subsystem.
- Step 3** System sends the AAA Access Request to AAA server for MS.
- Step 4** AAA server processes the AAA Access Request from the Content Filtering subsystem to create the session, and the Policy Manager in AAA server uses subscriber identification parameters including NAI (username@domain), Calling Station ID (IMSI, MSID) and Framed IP Address (HoA) as the basis for subscriber lookup.
- Step 5** The Policy Manager and AAA generate and send an Access Accept message including all policy and other attributes to establish the session to the Content Filtering subsystem.

The Policy Manager and/or AAA include the following attributes in the Access Accept message:

- **Filter-Id or Access Control List Name:** Applied to subscriber session. It typically contains the name of the Content Service Steering (CSS) ACL. The CSS ACL establishes the particular service treatments such as Content Filtering, ECS, Traffic Performance Optimization, Stateful Firewall, VPN, etc. to apply to a subscriber session and the service order sequence to use in the inbound (SN-IP-In-ACL AVP) or outbound (SN-IP-Out-ACL AVP)

directions. Real-time or delay sensitive flows are directly transmitted to the Internet with no further processing required. In this case, no CSS ACL or Filter ID is included in the Access Response.

- **SN-CFPolicy-ID:** Applied to the subscriber content flow. Policy ID included in this attribute overrides the policy identifier applied to subscriber through rulebase or APN/Subscriber configuration. This content filtering policy determines the action to be taken on a content request from subscriber on the basis of its category. At anytime only one content filtering policy can be associated with a rulebase.
- **SN1-Rulebase:** This custom attribute contains information such as consumer, business name, child/adult/teen, etc.). The rulebase name identifies the particular rule definitions to apply. Rulebase definitions are used in ECS as the basis for deriving charging actions such as prepaid/postpaid volume/duration/destination billing and charging data files (EDRs/UDRs). Rulebase definitions are also used in content filtering to determine whether a type of user class such as teenagers should be permitted to receive requested content belonging to a particular type of category such as adult entertainment, gambling or hate sites. Rulebase definitions are generated in the Active Charging Configuration Mode and can be applied to individual subscribers, to domains or on per-context basis.

- Step 6** Content Filtering subsystem creates a new session for MS.
- Step 7** Content Filtering subsystem sends Accounting-Start messages to AAA server.
- Step 8** AAA server sends Accounting-Start response message to Content Filtering subsystem.
- Step 9** Content Filtering subsystem establishes data flow with MS.
- Step 10** MS requests for data with URL name.
- Step 11** Within the system access control list (ACL) processes the request and directs the request to ECS/Content Filtering subsystem based on the subscriber configuration.
- Step 12** System performs ECS action on the content and then applies content filtering if required.
- Within the system, if the bearer flow is treated by Content Filtering or other in-line services, the SessMgr feeds it to the Content Service Steering (CSS) API. If Content Filtering is the first service touch point, TCP and HTTP traffic analyzers within a given SessMgr utilize deep-packet inspection to extract the requested URL.
- Step 13** The Content Filtering subsystem processes the URL access request.
- When only Static Content Filtering is enabled, first the URL is looked-up in the cache maintained at SessMgr for static URL requests, if there is a hit, the category is returned, if its a miss, a URL look-up is performed by an onboard SRDB for static rating.
- If a category is returned, action is taken as configured for that category in the subscriber's Content Filtering policy:
 - allow: If the category is permitted by the subscriber's content filtering policy, the request is sent to the server, and the response transmitted to the subscriber's mobile.
 - content-insert: The system notifies the subscriber's mobile of the blocked content by inserting a specified message within the IP data stream, and prevents access to the requested content. The insert string is as specified in the subscriber's content filtering policy.
 - discard: The system silently discards the request packet(s).
 - redirect-url: The system inserts a specified redirect server address in the bearer data stream and returns an HTTP error message to the subscriber's mobile. The redirect address is as specified in the subscriber's content filtering policy.
- If a new category (also referred to as x-category) is present in the OPTCMDB file, then action for all URLs for the new category can be configured at runtime. For information on how to configure x-category, refer to the *Configuring Content Filtering Policy* section in the *Content Filtering Service Configuration* chapter.

The redirect server may prompt the subscriber to send additional security credentials in order to access the requested content.

- **terminate-flow**: The system gracefully terminates the TCP connection between the subscriber and server, and sends a TCP FIN to the subscriber and a TCP RST to the server.
- **www-reply-code-and-terminate-flow**: The system terminates the flow with a specified reply code to the subscriber's mobile. The reply code is as specified in the subscriber's content filtering policy.
- If a category is not returned / the URL is not present in the database, the system takes the action as configured for the UNKNOW category in the subscriber's Content Filtering policy.
- If for the category returned there is no action configured in the subscriber's content filtering policy, the default action is taken.

Step 14 MS requests for session termination.

Step 15 System sends Accounting-Stop Request to the AAA server.

Step 16 AAA server stops the accounting for the MS for content filtering session and sends Accounting-Stop-Response to the system.

How URL Blacklisting and Category-based Content Filtering Work Concurrently

Both URL Blacklisting and Category-based Content Filtering can be concurrently enabled in a system. The following describes how URL blacklisting and content filtering are performed on HTTP/WAP traffic when concurrently enabled on a system:

Step 1 If both URL Blacklisting and Category-based Content Filtering are enabled, first URL blacklist matching is performed, and then, if required, content filtering is performed.

When an HTTP/WAP request comes for ECS processing, a check is made to see if the URL Blacklisting feature is enabled. If enabled, the URL is extracted from the incoming request and is matched with the local Blacklist database.

- If a match is found for the URL in the Blacklist database, the packets are subjected to the blacklisting action configured in the rulebase—Discard, Redirect, or Terminate flow. In case of multiple HTTP requests in the same TCP packet, if any of the URLs is blacklisted, then action is taken on the packet.
- If a match is not found in the Blacklist database, then Category-based Content Filtering is performed.

If Category-based Static Content Filtering is enabled, static rating is performed and action taken as configured for the category returned in the subscriber's content filtering policy.

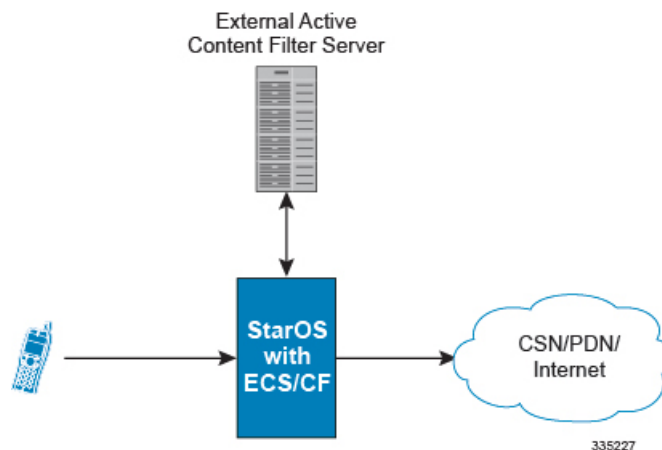
Step 2 If URL Blacklisting is enabled and Category-based Content Filtering is disabled, and a match is not found for the URL in the Blacklist database, the request is allowed to pass through, and no Content Filtering EDRs are generated for those flows.

Content Filtering Server Group Support

ECS supports the streamlined ICAP interface to leverage Deep Packet Inspection to enable external application servers to provide their services without performing DPI, and without being inserted in the data flow. For example, with an external Active Content Filtering (ACF) platform.

A high-level view of the streamlined ICAP interface support for external ACF is shown in the following figure.

Figure 4: High-Level View of Streamlined ICAP Interface with External ACF



The system with ECS is configured to support DPI and the system uses this capability for content charging as well. WAP and HTTP traffic is content filtered over the ICAP interface. RTSP traffic that contains adult content can also be content filtered on the ICAP interface. Only RTSP Request packets will be considered for content filtering over the ICAP interface.

If a subscriber initiates a WAP (WAP1.x or WAP2.0) or Web session, the subsequent GET/POST request is detected by the DPI function. The URL of the GET/POST request is extracted and passed, along with subscriber identification information and the subscriber request, in an ICAP message to the application server.

In the case of Category-based Content Filtering solution, the application server checks the URL on the basis of its category and other classifications like type, access level and content category and decides if the request should be authorized, blocked, or redirected by answering to the GET/POST with:

- A 200 OK message if the request is accepted.
- A 302 Redirect message in case of redirection. This redirect message includes the URL to which the subscriber should be redirected.
- A 403 Denied message if the request should be blocked.

Depending on the response received, the system with ECS will either pass the request unmodified, or discard the message, and respond to the subscriber with the appropriate redirection or block message.

Content Charging is performed by the ECS only after the request has been controlled by the application server. This guarantees the appropriate interworking between the external application and content-based billing. In particular, this guarantees that charging will be applied to the appropriate request in case of redirection, and that potential charging based redirections (i.e. Advice of Charge, Top Up page, etc.) will not interfere with the decisions taken by the application server.

The ACF performs the following functions:

- Retrieval of subscriber policies based on the subscriber identity passed in the ICAP message.
- Determining the appropriate action (permit, deny, redirect) to take for this type of content based on subscriber profile.
- Communication of the action (permit, deny, or redirect) decision for the URL back to the ECS subsystem.

For information on configuring the ICAP interface functionality for external ACF servers, see the *ICAP Interface Support* chapter of the *System Administration Guide*.

External Storage System

ESS supports generation of EDR/UDR/FDR (xDR) files from the chassis. To store generated xDR files, on the Cisco chassis, the system allocates 512 MB of memory on the packet processing card's RAM. The generated xDRs are stored in CSV format in the */records* directory on the packet processing card RAM. These generated xDRs can be used for billing as well as for generation of reports to analyze network usage and subscriber trends. As this temporary storage space (size configurable) reaches its limit, the system deletes older xDRs to make room for new xDRs. Setting gzip file compression extends the storage capacity by approximately 10:1.

Because of the volatile nature of the memory, xDRs can be lost due to overwriting, deletion, or unforeseen events such as power or network failure or unplanned chassis switchover. To avoid losing charging and network analysis information, configure the CDR subsystem in conjunction with the External Storage System (ESS) to offload the xDRs for storage and analysis.

For more information on the ESS, refer to the *ESS Installation and Administration Guide*.

Bulk Statistics Support

The system can be configured to collect bulk statistics (performance data) and send them to a collection server (called a receiver). Bulk statistics are statistics that are collected in a group. The individual statistics are grouped by schema. Content Filtering bulk statistics support only System schema.

The system supports the configuration of up to 4 sets (primary/secondary) of receivers. Each set can be configured with to collect specific sets of statistics from the various schemas. Statistics can be pulled manually from the chassis or sent at configured intervals. The bulk statistics are stored on the receiver(s) in files. The format of the bulk statistic data files can be configured by the user. Users can specify the format of the file name, file headers, and/or footers to include information such as the date, host name, chassis uptime, the IP address of the system generating the statistics (available for only for headers and footers), and/or the time that the file was generated.

For more information, see the *Configuring and Maintaining Bulk Statistics* chapter of the *System Administration Guide*.

Minimum System Requirements and Recommendations

This section identifies the minimum system requirements for components of the URL Blacklisting / Category-based Content Filtering solutions.



Important The hardware required for these components may vary, depending on the number of clients that require access, components managed, and other variables like EDR generation rate or CDR storage and processing requirements.

Certain basic server requirements are recommended for WEM and MUR system to exploit the CF solution. For information on these system requirements, refer to *Cisco Web Element Manager Installation and Administration Guide* and *Cisco Mobility Unified Reporting System Installation and Administration Guide*.

Cisco Datacenter Server System Requirements

This section provides information on the system requirements for Cisco Datacenter Server.



Important You must ensure that the minimum system requirements are met before proceeding with the Cisco Datacenter Server installation.

Hardware Requirements

The hardware required for the various components are given below:

- Dell PowerEdge 1950 server
 - 1.86 GHz Dual quad-core Intel Xeon CPU
 - 8 GB RAM
 - 2 * 146 GB RAID hard disk drive. The hard disk can be expanded up to 300 GB.
 - Gigabit Ethernet interfaces
 - CD-ROM Drive
- Operating Environment:
 - Red Hat Enterprise Linux 5.4

- or -

- Sun Microsystems Netra™ X4270 server
 - Quad-Core two socket Intel Xeon L5518 processor (1 * 4GB memory kit, 1333 MHz)
 - 32 GB RAM
 - 2 * 300GB 10K RPM SAS disks
 - SATA DVD drive
 - 8-port internal SAS HBA
 - Choice of AC or DC power supplies
- Operating Environment:

- Red Hat Enterprise Linux 5.4
- ZFS is the recommended file system with two ZFS pools.

**Important**

For the Cisco Datacenter Server 10.0 and earlier releases, it is recommended to use the hardware configurations of Dell PowerEdge 1950 server.

**Important**

For the Cisco Datacenter Server 11.0 and later versions, please use the hardware recommendations of X4270 server.

Additional Requirements on Chassis

The chassis requires the following additional hardware and memory to handle the Content Rating Master Databases; for example, for Category-based Content Filtering OPTCMDB. The memory required may vary with the size of rating databases used for content rating service.

- Minimum of two active packet processing cards are required
- Minimum 4 GB memory:
 - in Cisco chassis on Flash memory



CHAPTER 2

Content Filtering Service Configuration

This chapter describes how to configure content filtering support with ECS.

In this chapter, only the minimum set of configurations required to make the system operational with content filtering services are provided. Additional configuration commands specific to the content filtering service are available in the *Command Line Interface Reference*.

The following topics are described in this chapter:

- [Configuring the System for Content Filtering Support, on page 21](#)
- [Verifying the Configuration, on page 28](#)
- [Gathering Statistics, on page 29](#)

Configuring the System for Content Filtering Support

This section lists the high-level steps to configure a system with Content Filtering service in conjunction with the Enhanced Charging Services.



Caution Before proceeding with the configuration, refer the *Additional Requirements on Chassis for Content Filtering* section of the *Content Filtering Support Overview* chapter for the minimum system requirements. If the system has fewer than two processing cards, Content Filtering service cannot be activated on the system.

Step 1 Set the initial configuration parameters such as activating the processing cards and creating the VPN context by applying the example configurations in [Initial Configuration, on page 22](#).

Step 2 Enable the Enhanced Charging Service with Content Filtering, and configure Content Filtering parameters:

- For URL Blacklisting support, enable the Enhanced Charging Service by applying the example configurations presented in [URL Blacklisting Configuration, on page 23](#).

–and/or–

- For Category-based Content Filtering support, enable the Enhanced Charging Service by applying the example configurations presented in [Category-based Content Filtering Configuration, on page 25](#).

- Step 3** Save your configuration to flash memory, an external memory device, and/or a network location using the Exec mode command **save configuration**. For additional information on how to verify and save configuration files, refer to the *System Administration Guide* and the *Command Line Interface Reference*.

Initial Configuration

- Step 1** Configure the processing cards in the chassis by applying the example configuration in [Activating Processing Cards, on page 22](#).
- Step 2** Configure system management parameters in the local context by applying the example configuration in [Modifying the Local Context, on page 22](#).
- Step 3** Create the VPN context and interface by applying the example configuration in [Creating the VPN Context, on page 23](#).
- Step 4** Create the service within the newly created context by applying the example configuration in the *Service Configuration* chapter of the *System Administration Guide*.
-

Activating Processing Cards

The following example activates two processing cards, placing one in active mode and labeling the other as redundant:

```
configure
  card slot_number
    redundancy card-mode
  exit
  card slot_number
    mode active pac
  end
```

Modifying the Local Context

The following example sets the default subscriber in the local context:

```
configure
  context local
    interface local_ctx_iface_name
      ip address ip_address ip_mask
    exit
    server ftpd
    exit
    server telnetd
    exit
    subscriber default
    exit
    administrator name encrypted password password ftp
    ip route ip_addr ip_mask next_hop_addr local_ctx_iface_name
    exit
  port ethernet slot#/port#
  no shutdown
```



```
bind interface local_ctx_iface_name local
exit
end
```

Creating the VPN Context

The following example creates the VPN context and interface and binds the VPN interface to a configured Ethernet port:

```
configure
context vpn_context_name -noconfirm
interface vpn_interface_name
ip address ip_address ip_mask
exit
subscriber default
exit
ip route 0.0.0.0 0.0.0.0 next_hop_address vpn_interface_name
exit
port ethernet slot_number/port_number
no shutdown
bind interface vpn_interface_name vpn_context_name
end
```

URL Blacklisting Configuration

This section describes steps to configure the system for URL Blacklisting support.

-
- Step 1** Enable the ACS subsystem by applying the example configuration in [Enabling ACS Subsystem, on page 23](#).
 - Step 2** Configure URL Blacklisting database parameters by applying the example configuration in [Configuring URL Blacklisting Database Parameters, on page 24](#).
 - Step 3** Create the Active Charging Service, and set URL Blacklisting matching method by applying the example configuration in [Creating Active Charging Service and Setting URL Blacklisting Matching, on page 24](#).
 - Step 4** Enable URL Blacklisting functionality in a rulebase, and configure the action to be taken by applying the example configuration in [Enabling URL Blacklisting in Rulebase and Configuring Blacklisting Action, on page 24](#).
 - Step 5** Load/upgrade URL Blacklisting database by applying the example configuration in [Loading/Upgrading URL Blacklisting Database, on page 24](#).
-

Enabling ACS Subsystem

Use the following configuration to enable the Active Charging Service subsystem for URL Blacklisting:

```
configure
require active-charging
end
```



Important After you configure this command, you must save the configuration and then reload the chassis for the command to take effect. For information on saving the configuration file and reloading the chassis, refer to the *System Administration Guide* for your deployment.

Configuring URL Blacklisting Database Parameters

Use the following configuration to configure URL Blacklisting database parameters:

```
configure
  url-blacklisting database directory path directory_path
  url-blacklisting database max-versions max_versions
  url-blacklisting database override file file.extension
end
```

Creating Active Charging Service and Setting URL Blacklisting Matching

Use the following configuration to create the Active Charging Service and set URL Blacklisting match:

```
configure
  active-charging service service_name [ -noconfirm ]
    url-blacklisting match-method { exact | generic }
  end
```

Enabling URL Blacklisting in Rulebase and Configuring Blacklisting Action

Use the following configuration to enable URL Blacklisting in a rulebase and configure the blacklisting action:

```
configure
  active-charging service service_name
    rulebase rulebase_name [ -noconfirm ]
      url-blacklisting action { discard | redirect-url url | terminate-flow
      | www-reply-code-and-terminate-flow reply_code }
    end
```

Loading/Upgrading URL Blacklisting Database

Use the following command to load/upgrade the URL Blacklisting database:

```
upgrade url-blacklisting database [ -noconfirm ]
```

Testing URL Blacklisting Functionality

The URL Blacklisting functionality can be tested by appending test URLs/URIs to the blacklist file. The test URLs/URIs must be added to the *testurldb.pub* file in the *<WEM_Install_Dir>/flash/blacklist/testurldb* directory.

The *testurldb.pub* file must have one URL per line without space. If space is included in the URL entries, the WEM ignores the URLs with space.

Category-based Content Filtering Configuration

This section describes the steps to configure the system for Category-based Content Filtering support.

-
- Step 1** Enable the Enhanced Charging mode for Category-based Static Filtering by applying the example configuration in [Enabling ACS Subsystem, on page 25](#).
 - Step 2** Configure the global parameters like database path and version for Content Filtering service by applying the example configuration in [Configuring Content Rating Rule Database Parameters, on page 25](#). This is an optional step. In case this configuration is not performed, the default values will be used.
 - Step 3** Create the Active Charging Service and Content Filtering Policy by applying the example configuration in [Creating Active Charging Service and Content Filtering Policy, on page 26](#).
 - Step 4** Configure the Content Filtering Policy Identifier and actions by applying the example configuration in [Configuring Content Filtering Policy, on page 26](#).
 - Step 5** *Optional.* Create billing and charging actions by applying the example configuration in the *Configuring Enhanced Charging Services* chapter of the *Enhanced Charging Services Administration Guide*.
 - Step 6** *Optional.* Define rule definitions by applying the example configuration in the *Configuring Enhanced Charging Services* chapter of the *Enhanced Charging Services Administration Guide*.
 - Step 7** Create and configure the rulebases by applying the example configuration in [Configuring Rulebase for Content Filtering, on page 26](#). For more information on rulebase configuration, refer to the *ECS Configuration* chapter in the *Enhanced Charging Services Administration Guide*.
 - Step 8** Apply the Content Filtering service to subscribers/APNs by applying the example configuration in [#unique_51/#unique_52](#).
 - Step 9** Create the EDR format and configure attributes by applying the example configurations in [Configuring Event Detail Record \(EDR\), on page 27](#).
-

Enabling ACS Subsystem

Use the following configuration to enable the Active Charging Service subsystem:

```
configure
  require active-charging content-filtering category
end
```

Notes:

A reboot is essential when enabling/disabling Category-based Content Filtering using the **require active-charging content-filtering category** command.



Important

After you configure this command, you must save the configuration and then reload the chassis for the command to take effect. For information on saving the configuration file and reloading the chassis, refer to the *System Administration Guide* for your deployment.

Configuring Content Rating Rule Database Parameters

Use the following configuration to configure Content Rating Rule database parameters:

```

configure
  content-filtering category database directory path directory_path
  content-filtering category database max-versions max_versions
  content-filtering category database override file file.extension
end
upgrade content-filtering category { database | rater-pkg }

```

Creating Active Charging Service and Content Filtering Policy

Use the following configuration to create the Active Charging Service and Content Filtering Policy:

```

configure
  active-charging service service_name [ -noconfirm ]
  content-filtering category policy-id cf_policy_id [ description description ] [ -noconfirm ]
end

```

Configuring Content Filtering Policy

Use the following configuration to configure the content filtering policy:

```

configure
  active-charging service service_name
  content-filtering category policy-id cf_policy_id
  analyze priority priority { all | category category | x-category x-category }
  action { allow | content-insert content_string | discard | redirect-url url |
  terminate-flow | www-reply-code-and-terminate-flow reply_code } [edr
  edr_format ]
  failure-action { allow | content-insert content_string | discard |
  redirect-url url | terminate-flow | www-reply-code-and-terminate-flow
  reply_code } [edr edr_format ]
end

```

Notes

- To configure runtime categories not present in the CLI, use the following command:

```

analyze priority priority x-category x-category action { allow | content-insert content_string | discard
| redirect-url url | terminate-flow | www-reply-code-and-terminate-flow reply_code } [edr edr_format ]

```

- To configure the action to take for any match, and the default action to take when the category returned after rating is not configured in the subscriber's content filtering policy, use the following command:

```

analyze priority priority all action { allow | content-insert content_string | discard | redirect-url url |
  terminate-flow | www-reply-code-and-terminate-flow reply_code } [edr edr_format ]

```

Configuring Rulebase for Content Filtering

Use the following configuration to configure the rulebase:

```

configure
  active-charging service service_name
  rulebase rulebase_name
  route priority route_priority ruledef ruledef_name analyzer analyzer_name

```

```
[ description description ]
  action priority priority { { group-of-ruledefs group_name | ruledef
ruledef_name } charging-action charging_action_name [ description description ] }
  flow end-condition content-filtering edr edr_format_name
  billing-records { egcdr | radius | udr udr-format format_name } +
  content-filtering category policy-id cf_policy_id
  content-filtering mode category { static-only }
end
```

Enabling Category-based Content Filtering Support

APN Configuration

Use the following configuration to apply Content Filtering configuration to an APN through policy identifier:

```
configure
  context context_name
    apn apn_name
      content-filtering category policy-id cf_policy_id
    end
```

Subscriber Configuration

Use the following configuration to apply Content Filtering configuration to a subscriber through policy identifier:

```
configure
  context context_name
    subscriber name user_name
      content-filtering category policy-id cf_policy_id
    end
```



Important

When changing the *cf_policy_id* included in RADIUS CoA and CCA/RAR messages from AAA/PCRF, it is observed that the CF policy ID is applied to subscriber session level even if it is set at rulebase level or APN level. That is, the policy ID set by the latest message takes precedence and the same value is applied at the session level.



Important

Category Policy ID applied to APN or subscriber in this mode overrides the Category Policy ID configured using the **content-filtering category policy-id** *cf_policy_id* command in the *Configuring Rulebase for Content Filtering* section.

Configuring Event Detail Record (EDR)

This section describes how to configure Category-based Content Filtering EDR settings. The system does not generate URL Blacklisting specific EDRs.

To configure Category-based Content Filtering EDR settings:

-
- Step 1** Enable the EDR module and file format for EDR in context configuration mode by applying the example configuration in [EDR Module Configuration, on page 28](#).
- Step 2** Define attributes and rule variables by applying the example configuration in [EDR Attribute Configuration, on page 28](#).
- Step 3** *Optional.* Enable charging record retrieval by applying the example configuration in the *Enabling Charging Record Retrieval* section of *Enhanced Charging Services Administration Guide*.
-

EDR Module Configuration

Use the following configuration to enable EDR module and configure the file for EDR generation in Content Filtering services:

```
configure
  context context_name
    edr-module active-charging-service
      file [ edr-format-name ] [ name file_name ]+
    end
```

Notes:

For more information on keywords/options available with the **file** command, refer to the *EDR Module Configuration Mode Commands* chapter in the *Command Line Interface Reference*.

EDR Attribute Configuration

Use the following configuration to configure attributes and rule-variables for EDRs for Content Filtering services:

```
configure
  active-charging service service_name
    edr-format edr_format_name
    attribute attribute priority priority
    rule-variable protocol rule priority priority
  end
```

Notes:

For more information on options available with **attribute** and **rule-variable** commands, refer to the *EDR Format Configuration Mode Commands* chapter of the *Command Line Interface Reference*.

Verifying the Configuration

This section describes how to review the configurations after saving them in a .cfg file, and to retrieve errors and warnings within an active configuration for a service.

Viewing System Configuration

Use the following configuration to view the active configuration for a service:

```
configure
  context context_name
```

```
end
show configuration
```

Viewing Service Configuration Errors

Use the following configuration to view the errors in configuration for a service:

```
configure
  context context_name
end
show configuration errors verbose
```

This command also shows the ambiguities in configurations with Content Filtering service, category, and rulebase configuration. Warnings/errors are displayed in the following scenarios:

- Warning: When **require active-charging content-filtering category** CLI command is not activated and any Content Filtering configurations are done.



Important After you configure this command, you must save the configuration and then reload the chassis for the command to take effect. For information on saving the configuration file and reloading the chassis, refer to the *System Administration Guide* for your deployment.

- Error: When Content Filtering is enabled, but no Content Filtering Policy ID is configured in the Active Charging Service.
- Error: A rulebase uses an undefined Content Filtering Policy ID.
- Error: A rulebase has Content Filtering Category Mode set, but Content Filtering Policy ID is not set.
- Warning: A rulebase has Content Filtering Policy ID set, but Content Filtering Category Mode is not set.
- Error: An APN uses a Content Filtering Policy ID not defined in the Active Charging Service.
- Error: A subscriber uses a Content Filtering Policy ID not defined in the Active Charging Service.
- Warning: When no default analyze rule is configured in Content Filtering Policy ID.
- Warning: When default analyze rule is configured in the Content Filtering Policy ID, but not at the lowest priority.
- Warning: When no analyze rule is configured in Content Filtering Policy ID.

Gathering Statistics

This section explains how to gather statistics and configuration information for:

URL Blacklisting Statistics

This section explains how to gather URL Blacklisting statistics and configuration information.

In the following table, the first column lists what statistics to gather, the second column lists the action to perform, and the third column describes what information is displayed or what information to look for in the resulting output.

Table 1: Gathering URL Blacklisting Statistics and Configuration Information

Statistics Wanted	Action to Perform
To view URL Blacklisting statistics, optionally for rulebase(s)	show active-charging url-blacklisting statistics [rulebase { all name <i>rulebase_name</i> }] [verbose] [{ grep <i>grep_options</i> more }]
To view URL Blacklisting static database configuration	show url-blacklisting database [all url <i>url</i> facility acsmgr { all instance <i>instance</i> }] [verbose] [{ grep <i>grep_options</i> more }]
To view total Blacklisting URL hits and misses statistics, optionally for rulebase(s) or specific ACS instance	show active-charging subsystem { all facility acsmgr [all instance <i>instance</i>] full } rulebase name <i>rulebase_name</i>] [{ grep <i>grep_options</i> more }]
To view information for rulebase(s) configured in a system or service	show active-charging rulebase { all [service name <i>svc-name</i>] name <i>rulebase-name</i> [service name <i>svc-name</i>] statistics [name <i>rulebase-name</i>] } [{ grep <i>grep_options</i> more }]
To view ACS session statistics	show active-charging sessions all [{ grep <i>grep_options</i> more }]

Category-based Content Filtering Statistics

This section explains how to gather Category-based Content Filtering statistics and configuration information.

In the following table, the first column lists what statistics to gather, the second column lists the action to perform, and the third column describes what information is displayed or what information to look for in the resulting output.



Important

For more information on Content Filtering statistics collection, refer to the *Exec Mode Commands* chapter of the *Command Line Interface Reference*.

Table 2: Gathering Category-based Content Filtering Statistics and Configuration Information

Statistics Wanted	Action to Perform
To view Category-based Content Filtering database statistics/configuration	show content-filtering category database [active all facility srdmbr { all instance <i>instance</i> } url <i>url_string</i>] [verbose] [{ grep <i>grep_options</i> more }]
To view Category-based Content Filtering category statistics	show content-filtering category statistics [facility srdmbr { all instance <i>instance</i> }] [{ grep <i>grep_options</i> more }]

Statistics Wanted	Action to Perform
To view information of a database URL for Category-based Content Filtering application in a service	show content-filtering category url <i>url_string</i> [policy_id <i>cf_policy_id</i> rulebase <i>rulebase_name</i>] [verbose] [{ grep <i>grep_options</i> more }]
To view Content Filtering Server Group (CFSG) details configured in the service	show content-filtering server group [statistics] [name <i>cfsg_name</i>] [{ grep <i>grep_options</i> more }]
To view Category-based Content Filtering category policy definitions	show active-charging content-filtering category policy-id { all id <i>policy_id</i> } [{ grep <i>grep_options</i> more }]
To view Category-based Content Filtering statistics, optionally for rulebase(s)	show active-charging content-filtering category statistics [rulebase { name <i>rulebase_name</i> all }] [verbose] [{ grep <i>grep_options</i> more }]
To view details of Content Filtering Server Group (CFSG) configured in the service	show active-charging content-filtering server-group [statistics [verbose]] [name <i>cfsg_name</i>] [{ grep <i>grep_options</i> more }]
To view information for rulebase(s) configured in a system or service	show active-charging rulebase [all [service name <i>svc_name</i>] name <i>rulebase_name</i> [name <i>cfsg_name</i>]] [{ grep <i>grep_options</i> more }]
To view Active Charging session statistics	show active-charging sessions all [{ grep <i>grep_options</i> more }]

Supported Bulk Statistics

For information on bulk statistics configuration and collection, and the list of bulk statistics for the Content Filtering service, refer to the *Bulk Statistics Configuration Mode Commands* chapter of the *Command Line Interface Reference*.

Supported Thresholds and SNMP Traps

The CF traps related to embedded/StarOS CF are available in the chassis MIB file. The CF Applications specific traps related to WEM processes like DB conversion, merging, etc. are now packaged with the WEM MIB file.

For information on the SNMP traps and thresholds for the Content Filtering service, see the *Content Filtering Application MIB* chapter of the *SNMP MIB Reference*.

For information on configuring CF thresholds, see the *Content Filtering Thresholds* chapter of the *Thresholding Configuration Guide*.



CHAPTER 3

Content Filtering Database Support for URL Classification

This chapter describes the following topics:

- [Feature Summary and Revision History, on page 33](#)
- [Feature Description, on page 34](#)
- [How It Works, on page 34](#)
- [Configuring Content Filtering Database Support for URL Classification, on page 35](#)
- [Monitoring and Troubleshooting, on page 36](#)

Feature Summary and Revision History

Summary Data

Applicable Product(s) or Functional Area	<ul style="list-style-type: none">• GGSN• HA• PDSN• P-GW
Applicable Platform(s)	<ul style="list-style-type: none">• ASR 5500• VPC-DI• VPC-SI
Feature Default	Disabled - License Required
Related Changes in This Release	Not Applicable
Related Documentation	<ul style="list-style-type: none">• <i>CF Administration Guide</i>• <i>Command Line Interface Reference</i>• <i>Content Classification Manager Administration Guide</i>

Revision History

Revision Details	Release
First introduced.	21.4

Feature Description

The Content Filtering feature that is supported on Cisco ASR 5500 and Cisco Virtual Platforms previously used Static Rating Categorization Database (SRDB), a third-party database, for URL classification and reputation scores. With Release 21.4, database support is extended to include the new Content Classification Manager (CCM) product for content filtering. This section covers the Content Filtering enhancements implemented in support of CCM.

Content Classification Manager uses the functionality provided by Cisco Talos Security Intelligence. For more information about Cisco Talos Security Intelligence, refer to <https://talosintelligence.com/>.

**Note**

- For more information regarding Content Filtering, refer to the “Content Filtering Support Overview” chapter in this guide (*CF Administration Guide*).
- For more information about CCM, refer to the *Content Classification Manager Administration Guide*.

How It Works

Content Filtering is implemented using the Session Manager. One Content Classification Manager category database and its Talos Security Intelligence (TSI) daemon is present per card (complex). The Session Manager queries the database for URL categorization. A category is returned asynchronously and the Session Manager applies the corresponding action (Redirect, Discard, and so on) as per the Content Filtering policy.

**Note**

The TSI daemon and database reside only on data plane cards, that is, DPC and DPC2 on ASR 5500, SF on DI, and SI.

Session Managers already had a query and response interface with SRDB Manager. Now, the TSI database has replaced the Rulespace/Symantec database along with the control elements (like MCRDBS, WEM). For a Session Manager, except for the query interface that has changed, the response to a category request to TSI database remains unchanged (it is similar to the SRDB response).

The following sections briefly describe the Content Filtering Manager, Categories, and Session Manager integration.

Content Filtering Manager

The Content Filtering (TSI) Manager tasks (cfmgr) run in the data-plane cards. The Content Filtering (TSI) Controller (cfctrl) starts the process when it (Controller) is configured and the update directory is ready. The

manager process is responsible for starting and recovering the TSI daemon and SAS (TSI module) and managing database updates with the TSI daemon and SAS.

Categories

The Content Filtering library maintains a static enumeration of verdict types.

ECS also maintains a static enumeration of category IDs. The URL query result from SAS is the assigned category ID. The Content Filtering library maps this ID to the ECS ID (if known). If there is no mapping (if the category is new), the SAS category ID is passed through as unmapped to the Session Manager's query.

For more information, refer to the "Category-based Content Filtering Subsystem" section in the "*Content Filtering Support Overview*" chapter in the *CF Administration Guide*.

Session Manager Integration

1. **URL Query:** Based on the query, URL-based categorization is processed for HTTP and WTP and WSP requests. If the Content Filtering is enabled and operational, the Session Manager initiates a URL categorization query. Else, queries are not made and the default behavior of content filtering is applied.
2. **Query Response:** As a response to the query, the category received in the verdict is converted to ASR 5500 understandable category. The rest of the processing occurs as it did with the SRDB.

Configuring Content Filtering Database Support for URL Classification

Content Filtering Database Support for URL Classification functionality requires a valid license be applied to the StarOS system. Contact your Cisco Account Representative for more information. The commands listed in the following sections are not visible unless a valid license is present. See the *System Administration Guide* for more details about managing and applying licenses.

Example Configuration

The following example shows the steps to configure a connection with the Content Classification Manager and enable URL categorization.

```
configure
security
  server talos-intelligence my-server
  ip 1.1.1.1 port 5341
  sftp port 2222 username my-username password my-password
exit
category server my-server
end
```



Important

The Content Classification Manager IP address port number must be 5341, and the SFTP server port number must be 2222.

To verify your Content Classification Manager is operational, execute the following command: **show security server talos-intelligence my-server**.

The "State" information listed in the output should show something other than "NOT RUNNING".

Monitoring and Troubleshooting

This section provides information regarding show commands and/or their outputs in support of this feature.

Show Commands and/or Outputs

The output of the following CLI commands is enhanced in support of this feature:

show active-charging content-filtering category statistics

The output of the above command now includes the following values for the "Time taken for rating" field:

- 50-100ms
- 100-200ms
- 200-300ms
- 300ms

This show command excludes the statistics for the following fields:

- Total number of successful Cache lookups
- Time taken for rating: > 50ms

These fields are removed because in TSI, the Session Manager does not maintain any cache internally. A cache is present in the TSI Daemon.

```
show active-charging content-filtering category statistics
Service Name: ACS
```

```
Cumulative Content Filtering Statistics:
Flows discarded:                0 Flows redirected:                0
Flows allowed:                  0 Flows terminated:                1
Flows discarded with content insertion: 0
Total Flows blocked:            1
Total number of static DB lookups: 1
Total number of successful Cache lookups: 0
Total number of unknown URLs:   0
Failure Action (Rating Attempts Not Completed):
  Flows discarded:                0 Flows redirected:                0
  Flows allowed:                  0 Flows terminated:                0
  Flows discarded with content insertion: 0
  Total Flows blocked:            0

Time taken for rating      Number of URLs
0-5ms                      0
5-10ms                     0
10-15ms                    0
15-20ms                    1
20-25ms                    0
25-30ms                    0
```

```

30-35ms                0
35-40ms                0
40-45ms                0
45-50ms                0
50-100ms             0
100-200ms          0
200-300ms          0
> 300ms           0
Attempts not completed 0

```

A similar change can be seen in the output of the following CLIs:

- show active-charging content-filtering category statistics verbose
- show active-charging content-filtering category statistics rulebase all
- show active-charging content-filtering category statistics rulebase all verbose
- show active-charging content-filtering category statistics rulebase name
- show active-charging content-filtering category statistics rulebase name verbose

show active-charging content-filtering category statistics debug-only

The output of the above command now includes the following values for the “Time taken for rating” field:

- 50-100ms
- 100-200ms
- 200-300ms
- 300ms

This show command excludes the statistics for the following fields:

- Total number of successful Cache lookups
- Number of URLs(CACHE)
- Time taken for rating: > 50ms

```
show active-charging content-filtering category statistics debug-only
```

```
Service Name: ACS
```

```

Cumulative Content Filtering Statistics:
Flows discarded:                0 Flows redirected:                0
Flows allowed:                  0 Flows terminated:                1
Flows discarded with content insertion: 0
Total Flows blocked:            1
Total number of static DB lookups: 1
Total number of unknown URLs:   0
Failure Action (Rating Attempts Not Completed):
Flows discarded:                0 Flows redirected:                0
Flows allowed:                  0 Flows terminated:                0
Flows discarded with content insertion: 0
Total Flows blocked:            0

Time taken for rating      Number of URLs
0-5ms                      0
5-10ms                     0
10-15ms                     1

```

15-20ms	0
20-25ms	0
25-30ms	0
30-35ms	0
35-40ms	0
40-45ms	0
45-50ms	0
50-100ms	0
100-200ms	0
200-300ms	0
> 300ms	0
Attempts not completed	0
Memblock Failure	0

1

A similar change can be seen in the output of the following CLIs:

- show active-charging content-filtering category statistics debug-only
- show active-charging content-filtering category statistics rulebase all debug-only
- show active-charging content-filtering category statistics rulebase name debug-only

System Logs

Two event logging facilities are provided to control the level of events logged for this feature:

- **cfctrl**: Content filtering controller logging facility
- **cfmgr**: Content filtering manager logging facility

See the *System Logs* chapter of the *System Administration Guide* for information about event logging.



APPENDIX **A**

Category List

The Category-based Content Filtering solution uses categories to categorize content and URLs for content filtering.

The following table lists the category codes used in the Category-based Content Filtering application. Apart from these categories, in the Content Filtering Policy Configuration Mode, runtime categories not present in the CLI can also be configured for rating.

Table 3: Category Codes and Descriptions

Category	Description
ABOR	Abortion
ADULT	Adult Related Material
ADVERT	Advertising site
ANON	Anonymizer
ART	Art, Museums
AUTO	Automotive site
BACKUP	Online Backup and file storage
BLACK	Inappropriate Content
BLOG	Blogging
BUSI	Business
CAR	Career, Job Search
CDN	Content Delivery Network
CHAT	Chatting site
CMC	Virtual Community
CRIME	Criminal Skills
CULT	Cult
DRUG	Drug
DYNAM	Dynamic site, Wireless

Category	Description
EDU	Educational site
ENERGY	Energy
FIN	Finance
FORUM	Forum and Messageboard
GAMB	Gambling
GAME	Gaming
GLAM	Glamour
GOVERN	Government site
HACK	Hacking
HATE	Hate Site, Hate Speech
HEALTH	Health site
HOBBY	Hobby
HOSTS	Hosting site
KIDS	Kids
LEGAL	Legal, Law site
LIFES	Lifestyle
MAIL	Webmail
MIL	Military
NEWS	News site
OCCULT	Occult
PEER	File Sharing
PERS	Personals and Dating
PHOTO	Photography
PLAG	Plagiarism
POLTIC	Politics
PORN	Pornography, Nudism, Naturism
PORTAL	Portal site
PROXY	Proxy, Test
REF	Reference site
REL	Religion
SCI	Science
SEARCH	Search, Web Search

Category	Description
SHOP	Online Shopping
SPORT	Sport
STREAM	Streaming Media
SUIC	Suicide
SXED	Sexual Education
TECH	Technology and Telecommunication
TRAV	Travel
VIOL	Violence
VOIP	Internet Telephony
WEAP	Weapons
WHITE	Clean Content
UNKNOW	Unknown URLs which are not present in the optimized content category database

