



Cisco BTS 10200 Softswitch SIP Guide, Release 6.0.3

October 30, 2012

Americas Headquarters

Cisco Systems, Inc.
170 West Tasman Drive
San Jose, CA 95134-1706
USA
<http://www.cisco.com>
Tel: 408 526-4000
800 553-NETS (6387)
Fax: 408 527-0883

Text Part Number: OL-25004-02

THE SPECIFICATIONS AND INFORMATION REGARDING THE PRODUCTS IN THIS MANUAL ARE SUBJECT TO CHANGE WITHOUT NOTICE. ALL STATEMENTS, INFORMATION, AND RECOMMENDATIONS IN THIS MANUAL ARE BELIEVED TO BE ACCURATE BUT ARE PRESENTED WITHOUT WARRANTY OF ANY KIND, EXPRESS OR IMPLIED. USERS MUST TAKE FULL RESPONSIBILITY FOR THEIR APPLICATION OF ANY PRODUCTS.

THE SOFTWARE LICENSE AND LIMITED WARRANTY FOR THE ACCOMPANYING PRODUCT ARE SET FORTH IN THE INFORMATION PACKET THAT SHIPPED WITH THE PRODUCT AND ARE INCORPORATED HEREIN BY THIS REFERENCE. IF YOU ARE UNABLE TO LOCATE THE SOFTWARE LICENSE OR LIMITED WARRANTY, CONTACT YOUR CISCO REPRESENTATIVE FOR A COPY.

The Cisco implementation of TCP header compression is an adaptation of a program developed by the University of California, Berkeley (UCB) as part of UCB's public domain version of the UNIX operating system. All rights reserved. Copyright © 1981, Regents of the University of California.

NOTWITHSTANDING ANY OTHER WARRANTY HEREIN, ALL DOCUMENT FILES AND SOFTWARE OF THESE SUPPLIERS ARE PROVIDED "AS IS" WITH ALL FAULTS. CISCO AND THE ABOVE-NAMED SUPPLIERS DISCLAIM ALL WARRANTIES, EXPRESSED OR IMPLIED, INCLUDING, WITHOUT LIMITATION, THOSE OF MERCHANTABILITY, FITNESS FOR A PARTICULAR PURPOSE AND NONINFRINGEMENT OR ARISING FROM A COURSE OF DEALING, USAGE, OR TRADE PRACTICE.

IN NO EVENT SHALL CISCO OR ITS SUPPLIERS BE LIABLE FOR ANY INDIRECT, SPECIAL, CONSEQUENTIAL, OR INCIDENTAL DAMAGES, INCLUDING, WITHOUT LIMITATION, LOST PROFITS OR LOSS OR DAMAGE TO DATA ARISING OUT OF THE USE OR INABILITY TO USE THIS MANUAL, EVEN IF CISCO OR ITS SUPPLIERS HAVE BEEN ADVISED OF THE POSSIBILITY OF SUCH DAMAGES.

Cisco and the Cisco logo are trademarks or registered trademarks of Cisco and/or its affiliates in the U.S. and other countries. To view a list of Cisco trademarks, go to this URL: www.cisco.com/go/trademarks. Third-party trademarks mentioned are the property of their respective owners. The use of the word partner does not imply a partnership relationship between Cisco and any other company. (1110R)

Any Internet Protocol (IP) addresses used in this document are not intended to be actual addresses. Any examples, command display output, and figures included in the document are shown for illustrative purposes only. Any use of actual IP addresses in illustrative content is unintentional and coincidental.

Cisco BTS 10200 Softswitch SIP Guide, Release 6.0.3

Copyright © 2011-2012 Cisco Systems, Inc. All rights reserved.



CONTENTS

Preface 5

- Organization 5
- Obtaining Documentation and Submitting a Service Request 5
- Document Change History 6

CHAPTER 1

SIP Network Overview 1-1

- General SIP Overview 1-1
- Compliance 1-2
- SIP Functions Performed by the BTS 10200 1-2
 - Interworking 1-3
 - SIP Cause Codes 1-4
 - SIP Registrar 1-4
 - User Agent Client and User Agent Server 1-4
 - Back-to-Back User Agent 1-5
- SIP xGCP SDP Interworking Feature 1-7
 - Limitations 1-8
 - Industry Standards 1-8

CHAPTER 2

SIP Subscribers 2-1

- SIP Phone Initialization 2-2
- Provisioning a SIP Subscriber 2-2
- SIP Registration and Security 2-2
 - Enhanced SIP Registration 2-3
 - Operations 2-6
 - Measurements 2-8
 - Events and Alarms 2-8
- SIP User Authentication 2-9
- SIP Subscriber Calls 2-10
- Provisioning Session Timers for SIP Subscribers 2-11
- SIP Timer Values for SIP Subscribers 2-11
- Diversion Indication for SIP Subscribers 2-12
- SIP Privacy Header 2-12
 - SIP Signaling Details 2-13

- PRIVACY Token 2-14
- Feature Interactions 2-15
- Prerequisites 2-15
- Limitations 2-15
- Feature Considerations 2-15
- Provisioning 2-15
- Comparison of SIP-Based Features and MGCP-Based Features 2-16
- Cisco BTS 10200 Softswitch-Based Features 2-24
 - Summary 2-24
 - Call Forwarding 2-26
 - Call Park and Directed Call Pickup Features 2-27
 - Calling Name and Number Delivery 2-29
 - Caller ID Delivery Suppression 2-29
 - Customer Access Treatment 2-30
 - Direct Inward Dialing 2-30
 - Direct Outward Dialing 2-30
 - Do Not Disturb 2-31
 - E.164 and Centrex Dialing Plan (Extension Dialing) 2-31
 - Operator Services (0-, 0+, 01+, and 00 Calls) 2-32
 - User-Level Privacy 2-32
 - Vertical Service Code Features 2-32
 - Voice Mail 2-33
- Jointly Provided Features 2-37
 - Call Transfer (Blind and Attended) with REFER 2-38
 - Distinctive Ringing 2-38
 - Distinctive Ringing for Centrex DID Calls 2-38
- Phone-Based Features 2-38

CHAPTER 3

SIP Trunks 3-1

- General Characteristics and Usage of SIP Trunks 3-2
- SIP Trunk Provisioning Example 3-2
- Call Processing on SIP Trunks 3-3
- Validation of Source IP Address for Incoming SIP Messages 3-4
- Loop Detection 3-4
- Locating SIP Servers Through DNS Queries 3-5
- Reliable Provisional Responses 3-10
- Provisioning Session Timers for SIP Trunks 3-12
- SIP Timer Values for SIP Trunks 3-13

SIP Route Advance	3-14
SIP Status Monitoring and SIP Element Audit	3-14
Status Monitoring of SIP Elements	3-14
SIP Trunk Group States	3-18
Internal SIP Audit	3-19
SIP Element Audit	3-20
SIP Triggers	3-22
Call Redirection	3-22
Support for Sending 302 on Call Forwarding	3-24
Diversion Indication for SIP Trunks	3-26
Number Portability Information and Carrier Identification Code	3-27
SIP Trunk Subgroups	3-29
SIP-T, ISUP Version, ISUP Transparency, and GTD	3-33
DTMF SIP Signaling	3-35
Asserted Identity and User-Level Privacy	3-37
Third-Party Call Control	3-40
ANI-Based Routing	3-40
ANI Screening on Incoming Calls	3-41
T.38 Fax Relay CA Controlled Mode Across SIP Trunk Interface	3-42
SIP Call Transfer with REFER and SIP INVITE with Replaces	3-43
SIP Trunk to Voice-Mail Server	3-48
Cluster Routing	3-49
CMS-to-MGC Routing	3-49
SIP Server Groups	3-50
Purpose of the SIP Server Groups Feature	3-50
Provisionable Parameters Affecting SIP Server Groups	3-50
Understanding SIP Server Group Operations	3-51
Outbound SIP Messages That Apply to SIP Server Groups	3-54
SIP Element Selection Algorithm	3-60
Applications and Use Cases for SIP Server Groups	3-65
Limitations on SIP Server Groups	3-69
Provisioning SIP Server Groups	3-71
Troubleshooting SIP Server Groups	3-72
SIP Trunk Call Admission Control	3-72
Restrictions and Limitations	3-74
Configuring SIP Trunk Call Admission Control	3-74
SIP Trunk Group Authentication and Registration	3-75

- Limitations 3-78
- Interoperability 3-78
- Provisioning 3-78
- Measurements 3-80
- Troubleshooting 3-81
- SIP Trunking for PBX Connection 3-82

CHAPTER 4

SIP System Features 4-1

- SIP Timer Values 4-1
 - Rules for Configuring the SIP Timers 4-1
 - Detailed Description of Timers 4-2
 - Computation of Default Timer Values A Through J from Timers T1 and T4 4-5
 - Calculation of Timer Retransmission Count 4-5
- SIP Session Timers 4-7
 - Session Timers Description 4-8
 - Upgrades and SIP Session Timers 4-9
 - Using the EXPIRES Header 4-9
- Limitations on Number of URLs, Parameters, and Headers 4-9
- Differentiated Services Codepoint 4-12
- Message Handling Based On Content-Length Header 4-12
- Limitation On Transient Calls During Switchover 4-13
- Automatic DNS Monitoring and Congestion Control 4-13
- Automatic Fault Monitoring and Self-Healing 4-13
- SIP Enhancements 4-14
 - Prerequisites 4-14
 - Limitations 4-14
- SIP Traffic Measurement Enhancements 4-14
 - Summary Report Changes 4-15
 - Trunk Group Usage Counters 4-16
 - Call Processing Counters 4-16



Preface

Revised: October 30, 2012, OL-25004-02

This document describes the Cisco BTS 10200 Softswitch features applicable to Session Initiation Protocol (SIP) subscribers and trunks. It also provides the procedures necessary to provision these features.

Organization

This SIP Guide contains the following chapters:

- [Chapter 1, “SIP Network Overview”](#)—Provides an overview of the BTS 10200 functions in the SIP network.
- [Chapter 2, “SIP Subscribers”](#)—Explains how to provision and use the features applicable to SIP subscribers.
- [Chapter 3, “SIP Trunks”](#)—Explains how to provision and use the features applicable to SIP trunks.
- [Chapter 4, “SIP System Features”](#)—Explains how to provision and use features applicable to all SIP system operations.

Obtaining Documentation and Submitting a Service Request

For information on obtaining documentation, submitting a service request, and gathering additional information, see the monthly *What's New in Cisco Product Documentation*, which also lists all new and revised Cisco technical documentation, at:

<http://www.cisco.com/en/US/docs/general/whatsnew/whatsnew.html>

Subscribe to the *What's New in Cisco Product Documentation* as a Really Simple Syndication (RSS) feed and set content to be delivered directly to your desktop using a reader application. The RSS feeds are a free service and Cisco currently supports RSS version 2.0.

Document Change History

The following table lists the revision history for the *Cisco BTS 10200 Softswitch SIP Guide, Release 6.0.3*.

Version Number	Issue Date	Status	Reason for Change
OL-25004-02	October 30, 2012	Revised	Updated the “Provisioning Session Timers for SIP Subscribers” section on page 11.
OL-25004-01	August 10, 2011	Initial	Initial document for Release 6.0.3.



CHAPTER 1

SIP Network Overview

Revised: October 30, 2012, OL-25004-02

This guide describes the Session Initiation Protocol (SIP) signaling features supported in Release 6.0.3 of the Cisco BTS 10200 Softswitch, and explains how to provision them.



Note

In this document, the term “SIP devices” includes SIP phones and softclients that act as a SIP user agent (UA) to originate and terminate calls for an address of record (AOR) identity.

This chapter contains an overview of the SIP network and includes the following sections:

- [General SIP Overview, page 1-1](#)
- [Compliance, page 1-2](#)
- [SIP Functions Performed by the BTS 10200, page 1-2](#)

General SIP Overview

The SIP support features are built on the existing BTS 10200 software and hardware platform. The BTS 10200 includes a Call Agent (CA), Feature Server (FS), Element Management System (EMS), and Bulk Data Management System (BDMS). In this book, use of the term “BTS 10200” indicates the Call Agent unless otherwise specified.

The BTS 10200 uses SIP and SIP for telephones (SIP-T) signaling to communicate with other SIP-based network elements. The implementation is based on the evolving industry standards for SIP, including IETF document RFC 3261, *SIP: Session Initiation Protocol*. The BTS 10200 supports both SIP trunks and SIP-based subscriber lines (SIP devices), and provides the following SIP-related functions:

- Protocol conversion between SIP and several other protocols, including Signaling System 7 (SS7), primary rate interface (PRI) Integrated Services Digital Network (ISDN), H.323, Media Gateway Control Protocol (MGCP), and Channel Associated Signaling (CAS).
- Tandem back-to-back user agent for direct SIP-to-SIP calls (trunk to trunk, phone to phone, and trunk to/from phone), and SIP-to-SIP-T calls.
- SS7 bridging between softswitches using SIP-T methods.
- Native support of SIP endpoints such as SIP phones, including authentication and registration management. (For example, the BTS 10200 maintains the current location of SIP subscribers.)

The BTS 10200 provides billing data for SIP calls. Specific fields are supported in the call detail records for calls that originate or terminate on a SIP trunk or subscriber. For detailed information on these fields, including billing management and data, refer to the *Cisco BTS 10200 Softswitch Billing Interface Guide*.

Compliance

The BTS 10200 SIP implementation is based on the evolving standards in the Internet Engineering Task Force (IETF) Request for Comments (RFC) publications, including the documents in the following list, and may not be fully compliant in all cases. The BTS 10200 is largely compliant with RFC 3261. For the level of compliance with all other RFC publications and drafts referenced in this document, see the specific feature descriptions.

- RFC 2617, *HTTP Authentication*
- RFC 2976, *SIP INFO Method*
- RFC 3261, *SIP: Session Initiation Protocol*
- RFC 3262, *Reliability of Provisional Responses in the Session Initiation Protocol (SIP)*
- RFC 3263, *Session Initiation Protocol (SIP): Locating SIP Servers*
- RFC 3265, *Session Initiation Protocol (SIP)-Specific Event Notification*
- RFC 3311, *The Session Initiation Protocol (SIP) UPDATE Method*
- RFC 3372, *Session Initiation Protocol for Telephones (SIP-T): Context and Architectures*
- RFC 3398, *Integrated Services Digital Network (ISDN) User Part (ISUP) to Session Initiation Protocol (SIP) Mapping*
- RFC 3515, *The Session Initiation Protocol (SIP) Refer Method*
- RFC 3891, *The Session Initiation Protocol (SIP) Replaces Header*
- RFC 3892, *The Session Initiation Protocol (SIP) Referred-By Mechanism*
- RFC 4028, *Session Timers in the Session Initiation Protocol (SIP)*

SIP Functions Performed by the BTS 10200

The BTS 10200 supports call processing for SIP trunks and phone users. As a result of native SIP subscriber support, SIP subscribers can use features similar to those available to MGCP subscribers.

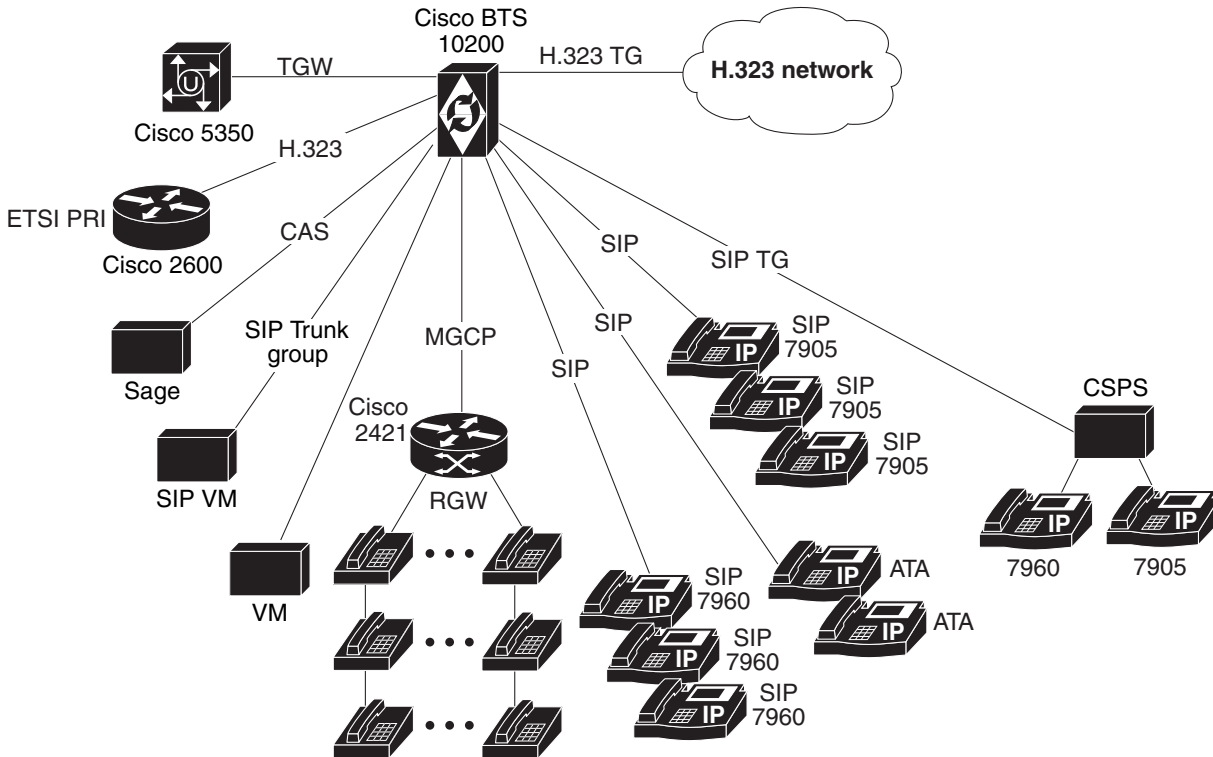


Note

For a comparison of the MGCP and SIP feature support, see the [“Comparison of SIP-Based Features and MGCP-Based Features”](#) section on page 2-16.

Figure 1-1 shows a network architecture example in which the BTS 10200 provides native support for SIP subscribers and SIP trunks. As shown in this drawing, the BTS 10200 can establish calls between networks with various protocols, including calls between SIP trunks and SIP subscribers. In the SIP network, the BTS 10200 provides Registrar services with SIP user authentication.

Figure 1-1 Example of Network Architecture with the BTS 10200



87897

SIP functions performed by the BTS 10200 include:

- User agent server (UAS)
- User agent client (UAC)
- Registrar
- SIP subscriber authentication

**Note**

The Cisco BTS 10200, as part of the back-to-back functionality, plays the role of the UAS and UAC.

Most features provided by the SIP phones comply with Local Access and Transport Area (LATA) Switching Systems Generic Requirements (LSSGR), depending on the phone implementation and capabilities. Due to the nature of the SIP protocol, however, your experience with a feature might differ from what is documented in the LSSGR for that feature.

Interworking

The system supports interworking combinations between SIP subscribers and the following entities:

- H.323 trunks
- SIP trunks
- Public switched telephone network (PSTN)—SS7 and ISDN user part (ISUP)
- ISDN

- MGCP subscribers

SIP Cause Codes

For information on SIP cause codes and their relation to ITU-T standard Q.850 cause codes, see the “[SIP Cause Code Mapping](#)” section in the *Provisioning Guide*.

SIP Registrar

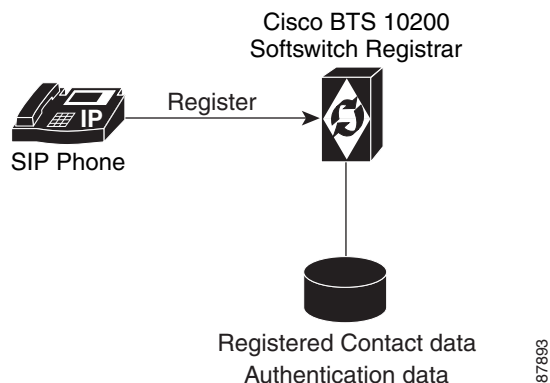
SIP Registrar support enables SIP subscribers to be served by the BTS 10200 directly. The BTS 10200 acts as a Registrar and authenticates the SIP request. SIP subscribers register with the BTS 10200 and originate calls through the BTS 10200.

To initiate a session with a SIP subscriber, the BTS 10200 must know the current address of the subscriber. Registration creates bindings in a location service for a particular domain. The bindings associate an address-of-record Uniform Resource Identifier (URI) with one or more contact addresses. A SIP subscriber notifies the BTS 10200 of its availability at the address provided in the contact for the specified duration. The BTS 10200 uses the challenge-based Digest Access Authentication to authenticate the SIP subscriber. (Digest Access Authentication is described in RFC 2617.)

The SIP subscriber registers with the BTS 10200, setting up a binding between the AOR and its contact address. The registration is valid for a period of time specified by the SIP phone in the REGISTER message, after which the registration expires. If the SIP phone does not specify a time period for expiration, the BTS 10200 applies a default timer, SIA_REGISTER_DEFAULT_EXPIRES, which is provisionable in the Call Agent Configuration (ca-config) table. The BTS 10200 also requires that the duration specified by the phone be in a range between the values provisioned for SIA_REG_MIN_EXPIRES_SECS and SIA_REG_MAX_EXPIRES_SECS in the ca-config table. To provision these parameters, see the procedure in the “[Provisioning a SIP Subscriber](#)” section on page 2-2.

Figure 1-2 demonstrates the SIP phone Registrar function.

Figure 1-2 SIP Phone Register Function



User Agent Client and User Agent Server

The user agent is a software application running on a SIP system.

The user agent can work either as a client or server. When a call is placed, the UAC places the request, and the UAS services the request and sends a suitable response. The roles change continually, however; for example, with call hold, either user can put the other user on hold.

Figure 1-3 shows the BTS 10200 working as a UAC, sending out a call request.

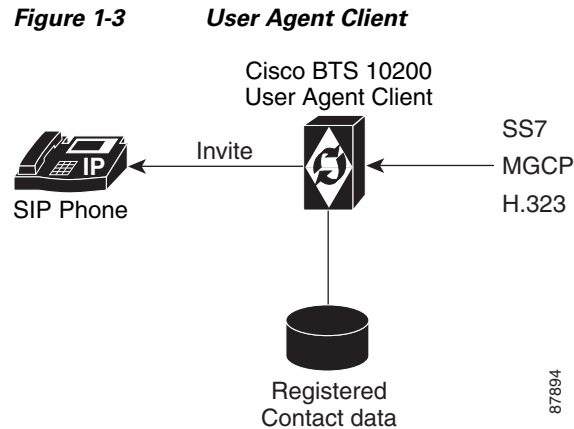
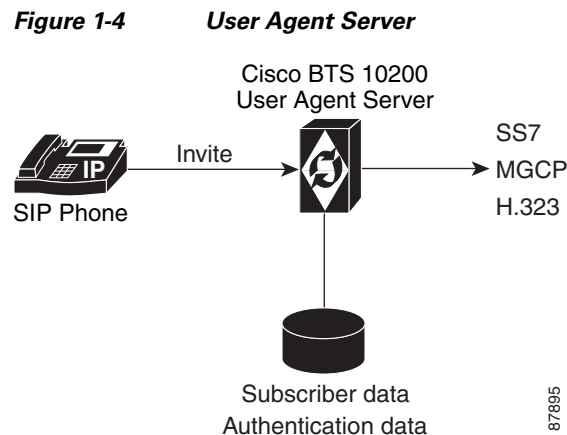


Figure 1-4 shows the BTS 10200 working as a UAS, accepting a call request.



Back-to-Back User Agent

The back-to-back user agent acts as a UAC and UAS for a single call. It keeps the two call segments separate on the BTS 10200. Typically, a proxy routes a call, but does not act as a user agent. The BTS 10200 acts as a user agent. In a call between two SIP endpoints (such as SIP phone or SIP trunk), the BTS 10200 terminates the originating half of the call, playing the UAS role, and then sets up the terminating half of the call as a UAC.



Note

There is no provisioning associated with the back-to-back functionality. The BTS 10200 automatically acts as a back-to-back user agent for a SIP-to-SIP call.

Figure 1-5 shows the BTS 10200 working as a back-to-back user agent.

Figure 1-5 Back-to-Back User Agent Server

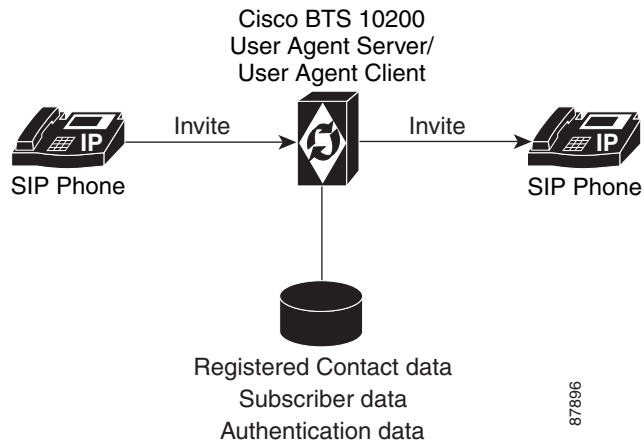


Figure 1-6 shows the call flow for registration.

Figure 1-6 Call Flow for Registration

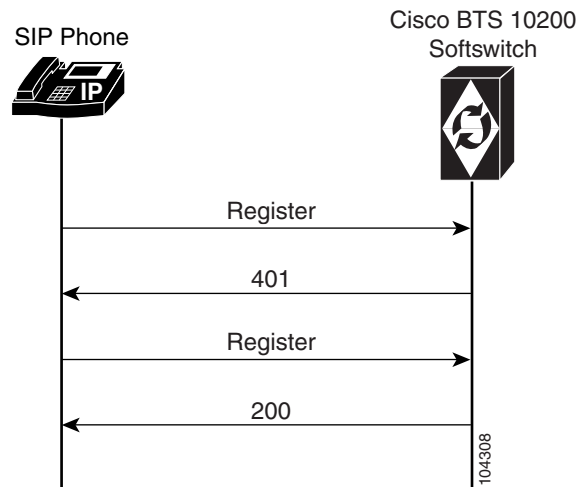
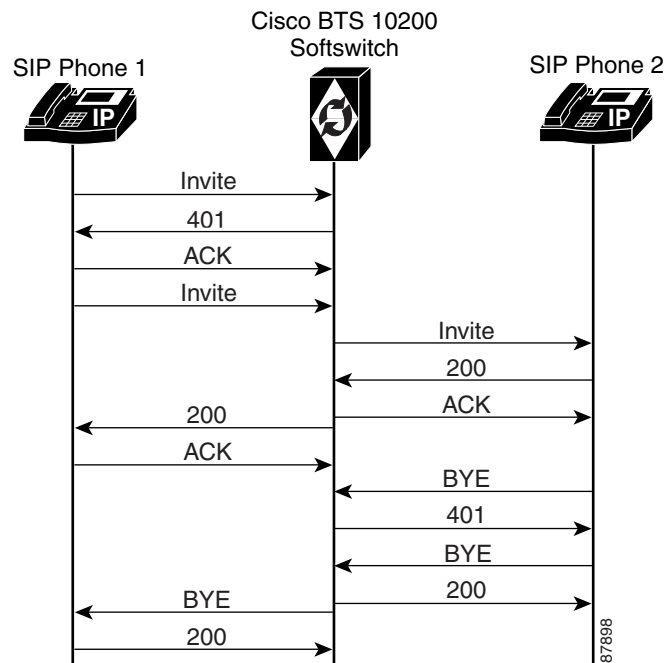


Figure 1-7 shows the call flow for a back-to-back user agent.

Figure 1-7 Back-to-Back User Agent Call Flow with Authentication



SIP xGCP SDP Interworking Feature

SIP and the protocols represented by the term xGCP use the Session Description Protocol (SDP).



Note

In this document, the term xGCP refers to the following protocols:

- Media Gateway Control Protocol (MGCP)
- Network-based Call Signaling (NCS)
- Trunking Gateway Control Protocol (TGCP)—TGCP meets requirements for the Media Gateway Controller-to-Media Gateway interface

SIP and xGCP use SDP differently. SIP and xGCP exchange SDP transparently using the Call Agent (Cable Management System, Media Gateway Controller). However, the exchange of SDP data creates interworking problems because xGCP might ignore or reject SIP SDP syntax. Using this feature, the Cisco BTS 10200 translates SIP SDP syntax into equivalent xGCP connection-handling syntax.

To enable the Cisco BTS 10200 to operate SIP xGCP SDP Interworking, configure the following tokens in the MGW_PROFILE table to suit the specific protocol interworking required between the Cisco BTS 10200 and media gateways in your network:

```

SDP_XGCP_SIP_IWF_SUPP
SDP_BANDWIDTH_AS_ONLY
SDP_MULTIPLE_MEDIA_DESC_SUPP
  
```

SDP_PTIME_ADD_FROM_MPTIME

SDP_PTIME_ADD_FROM_LCO

SDP_CALL_SETUP_IWF_SUPP

SDP_PORT_ZERO_SUPP

SDP_IP_ZERO_SUPP

**Note**

For complete CLI information, see the [Cisco BTS 10200 Softswitch CLI Database](#).

Limitations

When the Cisco BTS 10200 operates the SIP xGCP SDP Interworking feature it requires additional processing time. To minimize the additional time required to process this feature, consider the following two criteria when you configure the MGW_PROFILE table:

- Capacity— Set only the relevant MGW_PROFILE table tokens to Y when interworking is required.
- Calls Per Second (CPS)—This feature scans SDP for each call. Set only the MGW_PROFILE token, SDP_XGCP_SIP_IWF_SUPP to Y when interworking is required.

Industry Standards

This feature implements SIP-xGCP SDP interworking requirements defined in PacketCable EC (Engineering Change) CMSS1.5-N-07.0407-5.



CHAPTER 2

SIP Subscribers

Revised: October 30, 2012, OL-25004-02

The Cisco BTS 10200 Softswitch supports SIP subscribers on SIP phones that are compliant with RFC 3261 or RFC 2543. This section describes the support for SIP subscribers and how to provision SIP subscriber features.

In this document:

- SIP subscriber means a SIP phone that is registered directly to the BTS 10200 and for which the BTS 10200 maintains subscriber information.
- SIP Automatic Number Identification (ANI)-based subscriber means a SIP phone that communicates with the BTS 10200 over a SIP trunk.



Note

For quick-reference tables listing the subscriber features, see the [“Comparison of SIP-Based Features and MGCP-Based Features”](#) section on page 2-16.

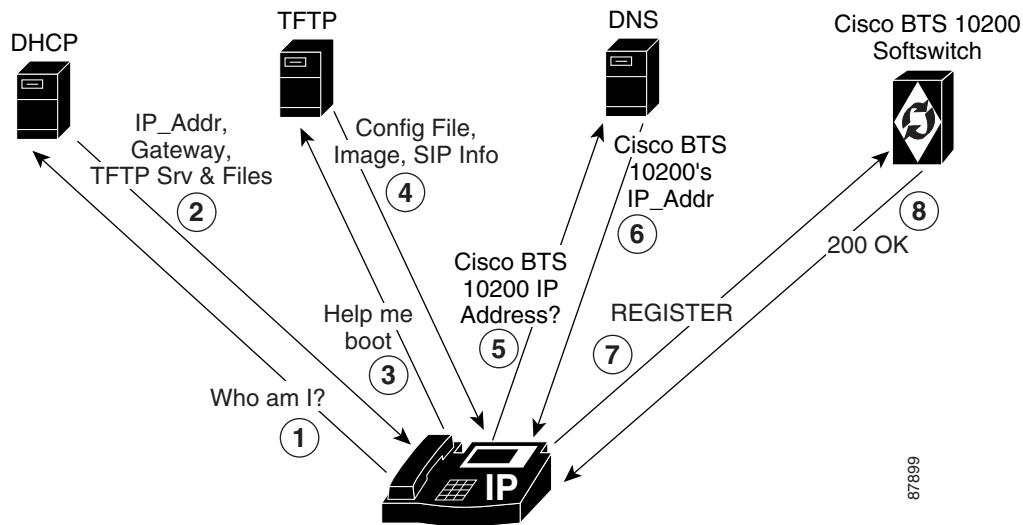
This section covers the following topics:

- [SIP Phone Initialization](#), page 2-2
- [Provisioning a SIP Subscriber](#), page 2-2
- [SIP Registration and Security](#), page 2-2
- [SIP User Authentication](#), page 2-9
- [SIP Subscriber Calls](#), page 2-10
- [Provisioning Session Timers for SIP Subscribers](#), page 2-11
- [SIP Timer Values for SIP Subscribers](#), page 2-11
- [Diversion Indication for SIP Subscribers](#), page 2-12
- [Comparison of SIP-Based Features and MGCP-Based Features](#), page 2-16
- [Cisco BTS 10200 Softswitch-Based Features](#), page 2-24
- [Jointly Provided Features](#), page 2-37
- [Phone-Based Features](#), page 2-38

SIP Phone Initialization

Figure 2-1 shows an example of SIP phone initialization on bootup, that is, how a typical phone might initialize itself and establish its identity with the BTS 10200. (The image shows actions that occur external to the BTS 10200—it does not show how the BTS 10200 controls SIP initialization.) The circled numbers in the image indicate the numerical order in which the sequence occurs.

Figure 2-1 Example of SIP Phone Initialization



Provisioning a SIP Subscriber

To provision a SIP subscriber, see the “SIP Subscribers” section in the *Provisioning Guide*.

SIP Registration and Security

SIP subscribers use the SIP REGISTER method to record their current locations with the BTS 10200. Registering clients can specify an expiration time for the contacts being registered. However, the BTS 10200 has a minimum and maximum acceptable duration, both of which are configurable.



Note

Third-party registration is not supported.

It is possible to register multiple contacts for a single AOR; however, if multiple contacts are registered for a single subscriber, the BTS 10200 uses only the most recently registered contact to deliver the call to that subscriber. For this reason, multiple contacts are not supported.



Note

Only one contact should be registered for an AOR.

When a SIP user attempts to register or set up a call, the BTS 10200 challenges the SIP subscriber based on provisioning in the serving-domain-name table. If the serving-domain-name table indicates that authentication is required, the BTS 10200 challenges the SIP request (Register/INVITE) according to the authentication procedures specified in SIP Protocol RFC 3261. If the BTS 10200 receives valid credentials, the authenticated AOR from the user-auth table identifies the subscriber based on the aor2sub table. (For specific provisioning parameters, see the applicable tables in the [Cisco BTS 10200 Softswitch CLI Database](#).)

Registration creates bindings in the BTS 10200 that associate an AOR with one or more contact addresses.

The registration data is replicated on the standby BTS 10200. The BTS 10200 imposes a minimum registration interval as a provisionable value. If the expiration duration of the incoming registration request is lower than the provisioned minimum, a 423 (Interval Too Brief) response is sent to the registering SIP endpoint.

The BTS 10200 generates a warning event when a request from a client fails authentication. This can indicate a provisioning error or an attempt by an unauthorized client to communicate with the BTS 10200.

The contacts registered for an AOR can be looked up using the status command, as demonstrated by the following example.

```
CLI> status sip-reg-contact AOR_ID=4695550184@sia-SYS44CA146.ipclab.cisco.com
```

```
AOR ID -> 4695550184@sia-SYS44CA146.ipclab.cisco.com
USER -> 4695550184
HOST -> 10.88.11.237
PORT -> 5060
USER TYPE -> USER_PHONE_TYPE
EXPIRES -> 3600
EXPIRETIME -> Thu Jan 22 14:33:36 2004
```

```
STATUS -> REGISTERED CONTACT
```

```
Reply :Success:
```

Enhanced SIP Registration

SIP Registration ensures that a SIP REGISTER message to the BTS 10200 is from a provisioned endpoint, that is, an endpoint with a provisioned secure fully qualified domain name (FQDN) or IP address. The feature also ensures that the source IP address and contact parameter for all originating calls are from the provisioned SIP endpoint, and that no calls can originate from an unregistered endpoint.

Description

Prior to Release 4.5.1, SIP endpoint registration was based on AOR, user ID, and password; there was no verification of the origination of the REGISTER message. Certain service providers may prefer that the source IP address of SIP requests be verified against a provisioned FQDN of the endpoint to address the possibility of theft of VoIP service.

The BTS 10200 can indicate SECURE_FQDN provisioning for specified SIP term-type subscribers. This indication consists of specifying an FQDN with the subscriber AOR. The FQDN is the address/location of the SIP endpoint and is added to the AOR table. The FQDN does not have a service port.

To enable or disable SECURE_FQDN on a successful registered subscriber:

1. Take AOR out of service to remove all registered contacts.
2. Enable or disable SECURE_FQDN for the subscriber.
3. Bring AOR back in service (INS).
4. Reboot the analog terminal adapter (ATA).

A subscriber with the secure FQDN feature enabled has the following characteristics:

- One and only one AOR is associated with the endpoint.
- Does not have any static-contact associated with it.
- User ID and Password Authentication are supported.
- One FQDN (specified without service port).
- The DNS lookup of the FQDN should result in one and only one IP address.
- Cannot place or receive a call unless successfully registered.

Example

This example presents a case in which a VoIP subscriber (Subscriber 1) uses the following options for the user ID, password, and phone number:

- user-id-1
- password-1
- phone-no-1

Without security, another VoIP subscriber, Subscriber 2, could access Subscriber 1's information (perhaps by getting a Cisco ATA configuration file with the encryption key in clear text, and then getting the full configuration file with all the data). Subscriber 2 could then register with the BTS 10200 with Subscriber 1's combination of user-id-1, password-1, and phone-no-1, as well as Subscriber 2's own IP address. Without the secure FQDN feature, the Cisco BTS 10200 would accept this information unless specific measures were taken, and Subscriber 2 could steal service and make calls on behalf of Subscriber 1.

Provisioning Commands

This section shows the CLI commands you need to provision a secure FQDN of a SIP endpoint.



Note

Use this procedure to provision subscribers on the BTS 10200. The procedure does not cover the security of configuration files provisioned on the SIP adapter (for example, an ATA), which are the responsibility of the service provider.

The SECURE_FQDN token is present in both the subscriber and aor2sub tables. A non-null value in the field indicates that the SECURE_FQDN validations apply to all SIP messages received from the endpoint associated with that AOR.

- The SECURE_FQDN value can be specified on a subscriber only if the AOR for the subscriber is out of service (OOS). When an AOR is taken administratively OOS, its registered contacts are deleted.
- A static contact cannot be specified for a SECURE_FQDN subscriber. Any existing static contact record for an AOR must be deleted before the subscriber can be made a SECURE_FQDN SIP endpoint.

- The SECURE_FQDN in the aor2sub table is stored both in the Oracle database and the shared memory.

The aor2sub records cannot be added or deleted directly. To add aor2sub records, you must specify the AOR ID on a subscriber record.

Provision a New SIP Subscriber

Step 1 To provision a new SIP subscriber with the secure FQDN feature, enter the following command:



Note This command automatically adds a corresponding entry in the aor2sub table.

```
add subscriber id=sub1; sub-profile-id=subpf1; category=individual; dn1=241-555-1018;
term-type=SIP; aor-id=<aor-id of SIP adapter port for sub1>; secure-fqdn=<secure-fqdn of
the SIP adapter>;
```

Step 2 (Optional) To provision an additional subscriber on the same SIP adapter, enter the following command:

```
add subscriber id=sub2; sub-profile-id=subpf1; category=individual; dn1=241-555-1022;
term-type=SIP; aor-id=<aor-id of SIP adapter port for sub2>; secure-fqdn=<secure-fqdn of
the SIP adapter>;
```



Note If there are multiple subscribers on a single SIP adapter (such as an ATA), these subscribers might share the same IP address. Therefore, you can provision all of these subscriber records with a single SECURE_FQDN, and in the DNS, this FQDN can point to the applicable IP address. The id, dn1, and aor-id tokens must have unique values for each subscriber.

Enable or Disable Secure FQDN for an Existing Subscriber

To enable or disable the secure FQDN feature for a successfully registered subscriber, enter the following commands:

Step 1 Take the AOR OOS. This command removes all registered contact.

```
change aor2sub aor-id=241-555-1018@sia-SYS41CA146.ipclab.cisco.com; status=oos;
```

Step 2 To enable the secure FQDN feature for an existing subscriber, enter the following command:

```
change subscriber id=sub1; secure-fqdn=ata-SYS41CA146.ipclab.cisco.com
```

To disable the secure FQDN feature for an existing subscriber, enter:

```
change subscriber id=sub1; secure-fqdn=null
```



Note If SECURE_FQDN is not provisioned for the subscriber, the system does not provide the secure FQDN feature to that subscriber. If SECURE_FQDN has previously been provisioned for the subscriber, setting SECURE_FQDN to null disables the feature.

Step 3 To bring the AOR back INS, enter the following command:

```
change aor2sub aor-id=241-555-1018@sia-SYS41CA146.ipclab.cisco.com; status=ins;
```

Step 4 Reboot the adapter device (such as ATA) for this subscriber.

Operations

The system performs the following checks. If any of the following conditions are not met, the request is rejected, and an alarm is generated.

No Calls to or from an Unregistered Secure-Provision SIP Endpoint

An unregistered secure-provision SIP endpoint cannot originate or receive calls.

Third-Party Registrations for Secure FQDN Endpoint Not Allowed

Third-party registrations for secure FQDN endpoints are not allowed.

BTS 10200 Challenges Registration

On receiving a REGISTER message from a secure-provision SIP endpoint, the BTS 10200 challenges the registration, asking for authentication. Verification of the resend REGISTER message with user ID and Password is as follows, after the user ID and Password are authenticated:

- Ensure that there is only one contact in the contact header.
- Ensure that the source IP address of the REGISTER message is the same IP address of the provisioned FQDN for that endpoint.
- Ensure that the IP address or the FQDN of the contact is the same as the provisioned FQDN for that endpoint.

If any of these conditions are not met, registration is rejected and a security event and alarm is generated, indicating that the source of the registration is illegal.

The contact address can verify all subsequent SIP request source IP address of the request from the endpoint until the registration expired or is deregistered.

Registration Expires

If the registration expires or the end point de-registers, the registration process in the [“BTS 10200 Challenges Registration”](#) occurs before any new calls are accepted.

Call Originates From or Terminates to a Secure-Provision SIP Endpoint

When a call originates from or terminates to a secure-provision SIP endpoint:

1. The system authenticates the user ID and password on all messages requiring authentication.
2. If the Contact header is available, the system ensures that only one contact is present, and that it has the same IP address or FDQN of the provisioned endpoint.
3. All messages sent by the endpoint and the source IP address of the message must be the same as the internal cache contact address (for example, the cache contact address is the contact obtained during registration).
4. Response from an endpoint that has a contact header must conform to the second item in this list.

Call Processing

The SIP application in the BTS 10200 implements the secure provisioning feature for all incoming SIP messages (requests and responses) from SIP endpoints.

When a SIP request message is received from a SIP endpoint and Auth_Rqcd=Y for the serving domain, the request is challenged. When the request is resubmitted with credentials, the AOR of the authenticated SIP endpoint is used to perform the SECURE_FQDN validation, provided a SECURE_FQDN value is provisioned in the AOR2SUB record. If AUTH_REQD=N, the SECURE_FQDN validation is performed without the request being challenged.

Validation

The validation processing for a SIP request, that comes from a SIP endpoint provisioned with this feature, is as follows:

1. The SECURE_FQDN validation occurs on every request (including CANCEL/ACK).
2. The SECURE_FQDN is verified to have a DNS resolution, if it is a domain name. If there is no DNS resolution, a 500 Internal Server Error response is returned.
3. The DNS resolution for the SECURE_FQDN is verified to yield a single IP address Secure-IP1. If the address is incorrect, a 500 Internal Server Error response is returned.
4. The Source IP address of the packet is verified as identical to Secure-IP1. If the address is not identical, a 403 Forbidden response is returned.
5. If the Request is a REGISTER, it is verified to have a single Contact header. If there is not a single contact header, a 403 Forbidden response is returned.
6. If the SIP request is an initial INVITE (including an INVITE resubmitted with credentials), it is verified that there is an unexpired registered contact for the AOR. If there is not an unexpired registered contact, a 403 Forbidden response is returned.
7. When a Contact header is present, the Contact FQDN/IP address of the request is verified to yield a single IP address Secure-IP1. If it does not yield the proper address, a 500 Internal Server Error response is returned.
8. The IP address of the Contact host is verified as identical to the IP address Secure-IP1 of the SECURE_FQDN. If the addresses are not identical, a 403 Forbidden response is returned.
9. The provisioning of a static contact on a AOR is not disabled, but any provisioned value is ignored because of the SECURE_FQDN validation rules. A static contact is irrelevant for SECURE_FQDN AORs, since the SIP request is denied if no registered contact exists.
10. The To and From header URLs in a REGISTER request are verified to be identical, for SECURE_FQDN subscribers. This is to block third-party registration.

Received SIP Response Message

When a SIP response message is received from a SIP endpoint, the following occurs:

1. The Source IP address of the packet is verified to be identical with the IP address of the Secure-IP1. If the addresses are not identical, the response is dropped. This has the same result as the non-receipt of that response, such as would happen with a call failure.
2. When a Contact header is present on a reliable 1xx or 2xx response, the Contact FQDN/IP address of the response is verified to resolve to the Secure-IP1. If the address does not resolve properly, the response is dropped. This has the same result as the non-receipt of that response, such as would happen with a call failure.
3. The response for a BYE sent by the BTS 10200 is not validated. This is the least likely point in a call for theft.

Rules for Sending a SIP INVITE Message from the BTS 10200

When a SIP INVITE message is sent to a SIP endpoint, the following occurs:

1. The INVITE is sent to the registered contact of the endpoint. If there is no registered contact or if the registered contact has expired, the INVITE is not sent and the call is declined.
2. Any static contact provisioned for the subscriber is ignored.

**Note**

Provisioning of static contact is not allowed for secure SIP endpoints; therefore, these rules are merely due diligence.

Validation of ACK Request

When a SIP ACK message is received from a SIP endpoint, the following occurs:

1. The ACK for a 200-class response is validated like any other SIP request.
2. The ACK for a failure response (3xx or higher) is not validated.

Measurements

The following measurements are supported for secure FQDN violations:

- A SIA-SECURE_FQDN-VIOLATION-REQ counter is incremented when a SIP request fails the validation for secure SIP endpoints.
- A SIA-SECURE_FQDN-VIOLATION-RESP counter is incremented when a SIP response fails the validation for secure SIP endpoints.

**Note**

For a full list of measurements, see the [Cisco BTS 10200 Softswitch Operations and Maintenance Guide](#).

Events and Alarms

A Warning event is raised when a SIP request or response fails the validation for secure SIP endpoints. The alarm has the following attributes:

Type: SECURITY(6)

DESCRIPTION: Secure SIP Endpoint Validation Failure

SEVERITY: WARNING

**Note**

For a full list of events and alarms, see the [Cisco BTS 10200 Softswitch Troubleshooting Guide](#).

SIP User Authentication

The BTS 10200 can act as an authentication server. Authentication is enabled on the serving domain through provisioning.

Whenever a SIP request is received from a SIP subscriber, the request is authenticated to ensure it is indeed from an identified user. Authentication also enables request authorization, because users may be authorized to perform only specific requests.

The following examples are the functional scenarios in which authentication is required:

- When a SIP user registers a contact with the BTS 10200 Registrar using a REGISTER request.
- When a SIP user initiates a call using an INVITE request.
- When a SIP user sends any request in an ongoing call. Examples include:
 - Renegotiation of the call parameters using a re-INVITE
 - Terminating the call using a BYE
 - Initiating a call transfer using a REFER
- When a SIP user sends a request outside a dialog. Example: OPTIONS.

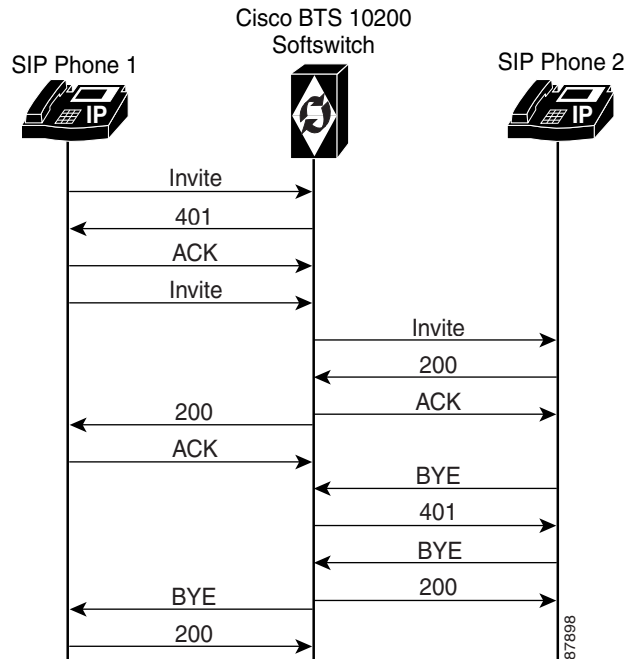
The following tables affect authentication for SIP subscribers:

- aor2sub
- serving-domain-name
- auth-realm
- user-auth

See the [Cisco BTS 10200 Softswitch CLI Database](#) for more information about the tables.

Figure 2-2 shows how an incoming request is processed and indicates the role of the Authentication Service in the BTS 10200.

Figure 2-2 Authentication and Processing of an Incoming Request (for Example, INVITE)



The BTS 10200 validates the hostname of the **REQURI** of every incoming SIP request against the list of names provisioned in the serving-domain-name table. The BTS 10200 hostname used by devices (in the **REQURI**), when they send requests to the BTS 10200, should be provisioned in the serving-domain-name table of that BTS 10200. If a name is not provisioned (and therefore not found) in the serving-domain-name table, the BTS 10200 rejects the SIP request with a “404 Not Found **REQURI** Serving Domain” response.

The BTS 10200 authenticates IP phones by using the MD5 digest defined in RFCs 3261 and 2617. The BTS 10200 verifies a user’s credentials on each SIP request from the user. For more information, see the User Authorization table in the [Cisco BTS 10200 Softswitch CLI Database](#).

SIP Subscriber Calls

SIP subscribers must present valid credentials on a SIP **INVITE** message in order to place calls.

The system allows SIP subscribers to call other SIP subscribers or SIP trunks connected to the BTS 10200. The provisioned dial plan determines whom a subscriber can call. A SIP subscriber can receive a call as long as the subscription’s registration is current, or a static registration has been provisioned.

Provisioning Session Timers for SIP Subscribers

The system uses session timers to periodically refresh SIP sessions during call processing or in-progress calls. You can enable or disable session timers for calls to and from all SIP subscribers on the BTS 10200 through the SUB_SESSION_TIMER_ALLOWED parameter in the ca-config table. The timers are disabled by default.

Use the commands in this section to provision session timers for SIP subscribers. Session timer defaults for subscribers are preset in the system. The timers can be adjusted through the commands shown in this section.



Note For a detailed description of session timers, see [“SIP Session Timers” section on page 4-7](#).

Step 1 Adjust the session timer values in the SIP Timer Profile (sip-timer-profile) table.



Note The session duration field value is in seconds with a range of 100 to 7200. The minimum session duration field value is in seconds with a range of 100 to 1800.

We recommend a value of at least 1800 for each of these fields.

```
add sip_timer_profile id=<timer_profile_id>; session_expires_delta_secs=7200; min-se=1800;
```

Step 2 Enable session timers for SIP subscribers:

```
add ca-config type=SUB-SESSION-TIMER-ALLOWED; datatype=BOOLEAN; value=Y;
```

Step 3 If not already done, add a default sip-timer-profile-id to the ca-config table:

```
add ca_config type=SIP-TIMER-PROFILE-ID; datatype=STRING; value=<sip_timer_profile_id>;
```

SIP Timer Values for SIP Subscribers



Note This section describes how to provision SIP timer values for SIP subscribers. For a comprehensive listing of SIP timers, see [Chapter 4, “SIP System Features.”](#)

You can customize SIP timers through the sip-timer-profile table. A record in this table can then be configured to apply to all subscribers switch-wide. The system operates with default SIP protocol timer values, as noted in the SIP specification. These default values are adequate for many installations. If customization is required, a sip-timer-profile table can be provisioned and associated with all calls.

Use the following steps to provision the SIP timer values.

Step 1 Adjust the SIP timer values in the sip-timer-profile table if necessary (example shown).

```
add sip-timer-profile id=<timer_profile_id>; timer-t1-milli=500;
```

Step 2 If not already done, add a default sip-timer-profile-id to the ca-config table:

```
add ca-config type=sip-timer-profile-id; datatype=string; value=<sip_timer_profile_id>;
```

Diversion Indication for SIP Subscribers

Diversion indication provides supplemental redirection information to the SIP entity receiving a call. The SIP entity uses this information to identify from whom the call was diverted, and why the call was diverted. It also provides information for each redirection if multiple redirections occurred. This is provided in the form of a SIP Diversion header.

Forwarding information allows applications such as SIP voice-mail servers to access the mailbox of the original called party for proper outgoing greeting and message deposit when a forwarded call is received. Billing systems also use the information to determine the charged party of the call where it is the last forwarding party that is billed.

The BTS 10200 supports the Diversion Indication feature according to the specifications in the IETF document draft-levy-sip-diversion-02.txt, *Diversion Indication in SIP*. For incoming calls, the BTS 10200 uses the party number information from the top-most and bottom-most diversion headers. The BTS 10200 reads the diversion count across all diversion headers to determine the total diversion count. For outgoing calls, The BTS 10200 sends 0, 1, or 2 diversion headers, depending on the forwarding information of the call.

Diversion header parameter support is limited to the diversion counter and the diversion reason. These two parameters in diversion headers are populated for outgoing calls and interpreted on incoming calls.

For INVITEs sent out by the BTS 10200, the following behavior applies:

- If no diversion information is available, no diversion headers are included.
- If there is an original called party, one diversion header is added to the outgoing INVITE message.
- If there is a last forwarding party, a second diversion header is added on top of the original called party diversion header.
- Each outgoing diversion header is populated with the party number, the diversion reason, and the diversion count.
- Privacy parameters are sent and received in the Diversion header.
- If the original called number (OCN) and/or the redirected DN (RDN) are being sent in Diversion headers towards local SIP subscribers, and the presentation value is not allowed, the system applies anonymous to them as follows:
 - If an OCN exists, it populates the URL as anonymous@anonymous.invalid in the To header.
 - If a Diversion header is added, it populates the user part of the diversion header with anonymous.

SIP Privacy Header

The SIP Privacy Header feature provides privacy services to the caller to withhold personal information (caller details) from the parties involved in a call. This feature enables the user to request privacy functions from the Cisco BTS 10200 operating as a SIP network-based privacy service.

This feature allows the Cisco BTS 10200 SIP interface to apply privacy services using the Privacy header (as defined in RFC 3323). The Privacy header is received by Cisco BTS 10200 from an originator requesting privacy or from a SIP proxy on the originator's behalf. If privacy services are requested, they are applied to an initial INVITE message sent out on a SIP trunk or sent towards a terminating SIP subscriber.

This feature does the following:

- Applies privacy services exclusively to initial INVITE requests sent from a Cisco BTS 10200 SIP interface
- Provides support for privacy by interpreting the set of services requested in the Privacy header
- Allows to set the calling number restriction when the Cisco BTS 10200 SIP interface receives the initial INVITE requests

When privacy is requested and applied, Cisco BTS 10200 adds privacy information to the initial outbound INVITE request. It assigns anonymous entries to the user, the display name, and host field of the From header and the user field of the Contact header. A single VIA header is set with the host name of this local Cisco BTS 10200 (this follows normal back-to-back user agent behavior).

When privacy is applied, Cisco BTS 10200 provides anonymous entries to the Form header and the User field of the Contact header, as shown here:

```
FROM: "Anonymous" sip:Anonymous@Anonymous.invalid;tag=AParty
Via: <single VIA with local BTS host>
Contact: sip:Anonymous@localhost:5060
```

SIP Signaling Details

In SS7-to-SIP calls on Cisco BTS 10200, the user and header privacy services are applied to the outbound SIP INVITE message, if restrictions are applied to the calling name and number fields.

For SIP-to-SIP calls on Cisco BTS 10200, the header level privacy is always applied to initial outbound SIP INVITE messages. If header level privacy is requested, the header privacy token is handled in the following way:

- The privacy services are enabled. It is assumed that the header level privacy is applied. The token is removed from the Privacy header.
- If the privacy services are not enabled, the Cisco BTS 10200 indicates that header level privacy was not applied, even though the back-to-back user agent (UA) operations implicitly provided that level of privacy. The token remains on the privacy header.



Note

This feature does not support a session level privacy service because Cisco BTS 10200 does not terminate or manage the media path. In case of SIP-to-SIP trunk calls, Cisco BTS 10200 passes the privacy token and any of the privacy services to the Cisco BTS 10200 SIP interface (which does not render).

The Cisco BTS 10200 SIP interface applies the user level privacy to the outbound SIP INVITE request if any privacy services are requested, even if the user privacy was applied previously by the originator. Privacy services are not applied under the following conditions:

- If the ID privacy service is requested, the P-Asserted-ID (PAID) header (as defined in RFC 3325) is not sent to local SIP subscribers. The Cisco BTS 10200 SIP trunks are assumed to be pointing towards trusted SIP devices. Therefore, the PAID header is always sent out to the SIP trunks (assuming that the SIP trunk is provisioned to allow sending the PAID header).

- If the NONE privacy service is requested, Cisco BTS 10200 does not apply privacy services. In this case, if the call is routed out a SIP trunk, the Privacy header passes the NONE token outbound without modification.
- The Cisco BTS 10200 ignores the Proxy-Require header that requests the privacy service for incoming messages. This header is not passed through in a SIP-to-SIP call through the Cisco BTS 10200.
- For an outbound SIP trunk call, privacy services requested from the originator which are not rendered by the Cisco BTS 10200 SIP interface are represented in the Privacy header as remaining tokens and forwarded to the next SIP device. For an outbound SIP subscriber call, the Privacy header is not sent under any condition.

In general, the Cisco BTS 10200 does not add privacy services to initial outbound INVITE messages. However, if a SIP trunk is provisioned to send the PAID header, and the calling number presentations are restricted, then the Privacy header with ID token is sent in the INVITE request. This was Cisco BTS 10200 behavior maintained prior to this feature.

PRIVACY Token

The PRIVACY token is in the SUBSCRIBER table. NONE is a value that can be set for the PRIVACY token. When the user requests that no privacy services be applied, the PRIVACY token with a NONE value is applied in the originating device, regardless of provisioning or defaults.



Note

For SIP-to-SIP calls, the PRIVACY token is passed through if the call is routed out a SIP trunk on the Cisco BTS 10200.

Privacy services are not applied on the terminating SIP side when the PRIVACY token with a NONE value is received, regardless of any provisioning settings or privacy indications.

When the Cisco BTS 10200 receives the PRIVACY token with a NONE value, the following conditions hold true:

- The PRIVACY token does not affect the Cisco BTS 10200 SIP interface configuration that involves the selection of FROM or PAID SIP headers for deriving call information when a SIP call is received.
- If a Cisco BTS 10200 SIP interface is provisioned to interpret the calling party using the PAID header when an initial INVITE is received, the calling name and number presentations are set to Allowed.
- If a Cisco BTS 10200 SIP interface is provisioned to interpret the calling party using the FROM header when an initial INVITE is received, the PRIVACY token does not affect how the calling name and number are mapped by the FROM header.
- When the user terminates the SIP calls from the Cisco BTS 10200 SIP interface, the PRIVACY token does not affect how the calling name and number presentations are applied in the FROM or PAID headers towards that terminated calls.



Note

For more information on calling name and number mapping on the Cisco BTS 10200 SIP interface, check with technical support.

Feature Interactions

The SIP Privacy Header feature interacts with the Cisco BTS 10200 and SIP features. The TGID draft (R5) applies the TGID user information parameters in the contact header for outbound SIP trunks. When the privacy services are applied, the personal information of the user is removed because the user part of the contact header is anonymous.

Prerequisites

The user should have knowledge of RFC 3323 and RFC 3325 before using this feature.

Limitations

The SIP Privacy Header feature for Release 6.0 of the Cisco BTS 10200 Softswitch has the following limitations:

- The Cisco BTS 10200 does not support session level privacy because it does not terminate or manage the media path.
- All outbound SIP trunks are expected to be provisioned within the trusted domain. Therefore, Cisco BTS 10200 SIP trunks do not apply privacy services to the callers who are on different domains (as per RFC 3325).

Feature Considerations

The user has to consider the following points before using the SIP Privacy Header feature:

- In RFC 3323, the NONE token in the Privacy header is sent or received as a single token. It is invalid to send or receive the Privacy CRITICAL token as a single token.
- It is invalid to receive an anonymous or non-existent user information field in the PAID header, as the purpose of the PAID header is to assert an identity.
- The Cisco BTS 10200 SIP interface (in keeping with PacketCable 1.5) supports an anonymous name display field in the PAID header that indicates the restricted name.
- If the Privacy tokens "session" and "critical" are received and the call is routed towards a SIP subscriber, the call fails. This occurs because the Cisco BTS 10200 cannot apply the session privacy service, and there no intermediary switch that can route the call.

Provisioning

Use the following flags to provision the privacy services:

- [USE_PAID_HDR_FOR_ANI](#)
- [APPLY_USER_PRIVACY](#)
- [SIA_SUB_SEND_PAID_HDR](#)

USE_PAID_HDR_FOR_ANI

The USE_PAID_HDR_FOR_ANI flag is in the SOFTSW-TG_PROFILE table. If the customer wants the Privacy header feature to handle the privacy ID token on SIP trunks, the USE_PAID_HDR_FOR_ANI flag on the SIP trunk profile must be enabled. In the USE_PAID_HDR_FOR_ANI flag, the disable privacy service has the following conditions:

- When this flag is disabled, the ID token in the Privacy header and the entire PAID header are ignored if received, and they are not sent under any condition.
- When this flag is disabled, the ID token is not sent, regardless of the Privacy header feature enabled for outbound SIP trunks.

APPLY_USER_PRIVACY

The APPLY_USER_PRIVACY flag is in the SOFTSW-TG_PROFILE table. The APPLY_USER_PRIVACY SIP trunk profile flag can enable or disable privacy services on the terminating SIP trunk. If the originator requests a privacy service, the calling party information in the initial outbound SIP INVITE is set to anonymous, in order to hide the caller identity. Privacy is requested when the calling party name and/or number indicate presentation restrictions. Privacy is also requested when the Cisco BTS 10200 SIP interface receives a SIP call with a Privacy header containing privacy service requests. Regardless of what privacy function is requested, the Cisco BTS 10200 SIP interface provides only User and Header level privacy.

SIA_SUB_SEND_PAID_HDR

A new flag SIA_SUB_SEND_PAID_HDR is added to the CA-CONFIG table. This flag can have a Yes (Y) or No (N) value. The default value is N (default disabled). Use this flag to determine if the PAID header is sent to SIP subscribers. If the flag is enabled, the PAID header is sent if the calling party screening indicator is set to “network provided”, and the Privacy: ID token did not exist in the originating message. This flag applies only to terminating SIP subscribers.

Comparison of SIP-Based Features and MGCP-Based Features

Table 2-1 lists the MGCP features available (in the MGCP-Based Feature column) and then describes how the feature differs when it is used as a SIP feature.

Table 2-1 MGCP Features and SIP Support

MGCP-Based Feature	Abbreviation	Support for SIP Phone Compared to Support for MGCP-Based Phone
8XX Toll-Free	8xx	Same as MGCP.
911 Emergency-Service	911	<p>Only E911 support (without the suspend procedure for 45 minutes). Basic 911 with suspend procedure is not supported.</p> <p>Emergency Call (911) is supported for SIP endpoints with one caveat: If the calling party (SIP subscriber) disconnects the call, the called party control is not available. Otherwise, the call will be released. Expanded emergency service (E911) does not require this, but basic emergency service (911) does. Both 911 and E911 are supported for MGCP endpoints.</p> <p>The Public Safety Answering Point (PSAP) is selected based on default user location. No mobility is supported.</p>

Table 2-1 MGCP Features and SIP Support (continued)

MGCP-Based Feature	Abbreviation	Support for SIP Phone Compared to Support for MGCP-Based Phone
Anonymous Call Rejection	ACR	Same as MGCP, when provided by the BTS 10200. Also provided by the phone.
Anonymous Call Rejection Activation	ACR_ACT	BTS 10200 functionality is same for SIP subscribers as for MGCP. ACR_ACT is also supported on some SIP phones. Depending on the specific phone, the feature on the BTS 10200 might work jointly with the feature on the phone.
Anonymous Call Rejection Deactivation	ACR_DEACT	BTS 10200 functionality is same for SIP subscribers as for MGCP. ACR_DEACT is also supported on some SIP phones. Depending on the specific phone, the feature on the BTS 10200 might work jointly with the feature on the phone.
Automatic Callback	AC	SIP phone users cannot activate the service. MGCP users cannot activate the service toward SIP phone users.
Automatic Callback Activation	AC_ACT	SIP phone users cannot activate the service. MGCP users cannot activate the service toward SIP phone users.
Automatic Callback Deactivation	AC_DEACT	SIP phone users cannot activate the service. MGCP users cannot activate the service toward SIP phone users.
Automatic Recall	AR	SIP phone users cannot activate the service. MGCP users cannot activate the service toward SIP phone users.
Automatic Recall Activation	AR_ACT	SIP phone users cannot activate the service. MGCP users cannot activate the service toward SIP phone users.
Automatic Recall Deactivation	AR_DEACT	SIP phone users cannot activate the service. MGCP users cannot activate the service toward SIP phone users.
Busy Line Verification	BLV	Not supported.
CALEA and LI	—	For information on lawful intercept (LI) and Communications Assistance for Law Enforcement (CALEA), see the “Lawful Intercept and Enhanced CALEA” chapter in the <i>Cisco BTS 10200 Softswitch Network and Subscriber Feature Descriptions</i> .
Call Block	CBLK	Same as MGCP.
Call Forward Busy ¹	CFB	Same as MGCP.
Call Forward Busy Variable Activation	CFBVA	Single-stage digit collection.
Call Forward Busy Variable Deactivation	CFBVD	Same as MGCP.
Call Forward Busy Interrogation	CFBI	Single-stage digit collection.
Call Forward Combined ¹	CFC	Same as MGCP.
Call Forward Combined Activation	CFC_ACT	Single-stage digit collection.
Call Forward Combined Deactivation	CFC_DEACT	Same as MGCP.
Call Forward No Answer ¹	CFNA	Same as MGCP.

Table 2-1 *MGCP Features and SIP Support (continued)*

MGCP-Based Feature	Abbreviation	Support for SIP Phone Compared to Support for MGCP-Based Phone
Call Forward No Answer Variable Deactivation	CFNAVA	Single-stage digit collection.
Call Forward No Answer Variable Deactivation	CFNAVD	Same as MGCP.
Call Forward No Answer Interrogation	CFNAI	Single-stage digit collection.
Call Forward Unconditional ¹	CFU	Same as MGCP.
Call Forward Unconditional Activation	CFUA	Single-stage digit collection.
Call Forward Unconditional Deactivation	CFUD	Same as MGCP.
Call Forward Unconditional Interrogation	CFUI	Single-stage digit collection.
Call Hold	CHD	Functionality provided by the phone. The BTS 10200 supports the interface.
Call Park	CPRK	Not supported.
Call Park and Retrieve	CPRK_RET	Not supported.
Call Transfer	CT	For SIP phones, this feature is provided as part of REFER support on the BTS 10200. See the “Call Transfer (Blind and Attended) with REFER” section on page 2-38 for details.
Call Waiting	CW	Functionality provided by the phone. The BTS 10200 supports the interface.
Call Waiting Deluxe	CWD	Varies with phone functionality.
Call Waiting Deluxe Activation	CWDA	Varies with phone functionality.
Call Waiting Deluxe Deactivation	CWDD	Varies with phone functionality.
Call Waiting Deluxe Interrogation	CWDI	Varies with phone functionality.
Calling Identity Delivery and Suppression (Delivery) ²	CIDSD	Presentation status from the phone, and single-stage digit collection.
Calling Identity Delivery and Suppression (Suppression) ²	CIDSS	Presentation status from the phone, and single-stage digit collection.
Calling Identity Delivery on Call Waiting	CIDCW	Functionality provided by the phone. Cisco BTS 10200 supports the interface.
Calling Name Delivery ³	CNAM	Same as MGCP.
Calling Name Delivery Blocking	CNAB	Presentation status from the phone, and single-stage digit collection.

Table 2-1 MGCP Features and SIP Support (continued)

MGCP-Based Feature	Abbreviation	Support for SIP Phone Compared to Support for MGCP-Based Phone
Calling Number Delivery ³	CND	The calling party number, if available, is delivered in the From header of the outgoing INVITE from the BTS 10200 to the terminating SIP phone. The number is delivered to the SIP phone even if the CND feature is not provisioned for the subscriber.
Calling Number Delivery Blocking	CNDB	Presentation status from the phone, and single-stage digit collection.
Cancel Call Waiting	CCW	Functionality provided by the phone. Cisco BTS 10200 supports the interface.
Class of Service	COS	<p>CoS screening is supported for SIP subscribers.</p> <p>For account code and authorization code features on SIP endpoints, the BTS 10200 uses only the Interactive Voice Response (IVR)-based method of prompting, not the tone-based method. For account codes and authorization codes, the system applies IVR-based prompts for SIP endpoints, regardless of the values you provision for the PROMPT_METHOD parameter in the cos-restrict table.</p> <p>To provision these features, see the “Class of Service Screening” provisioning procedure in the <i>Provisioning Guide</i>.</p>
Collection of Account and Authorization Codes	—	<p>For a description of the account code and authorization code features, see the Class of Service (CoS) section in the <i>Cisco BTS 10200 Softswitch Network and Subscriber Feature Descriptions</i> document.</p> <p>For SIP endpoints, the system uses only the <i>Interactive Voice Response (IVR)-based</i> method of prompting, not the tone-based method. For account codes and authorization codes, the system applies IVR-based prompts for SIP endpoints, regardless of the values you provision for the PROMPT_METHOD parameter in the cos-restrict table.</p> <p>To provision these features, see the “Class of Service Screening” provisioning procedure in the <i>Cisco BTS 10200 Softswitch Provisioning Guide</i>. In addition, review the examples given in “Account Code Provisioning Example” section on page 2-23 and “Authorization Code Provisioning Example” section on page 2-24.</p>
Custom-Dial-Plan	CDP	Same as MGCP.
Customer Originated Trace	COT	Same as MGCP.
Directed Call Pickup without Barge-in	DPN	Not supported.
Directed Call Pickup with Barge-in	DPU	Not supported.

Table 2-1 MGCP Features and SIP Support (continued)

MGCP-Based Feature	Abbreviation	Support for SIP Phone Compared to Support for MGCP-Based Phone
Distinctive Alerting Call Waiting Indication	DACWI	<p>This feature is provided to Centrex users only.</p> <p>Provisioning for SIP does not differ from provisioning for MGCP. However, the delivery method for DACWI is different.</p> <p>The Centrex administrator provisions a list of DNs that are to receive DACWI tones.</p> <p>In MGCP, the phone plays the tone specified by the BTS 10200 in the protocol message. In SIP, the tone provisioned for the DN is specified by the BTS 10200 in the Alert-Info header of the INVITE as a file URL. A SIP phone, if capable, interprets this header and plays the specified distinctive ringing or call-waiting tone.</p>
Distinctive Ringing Call Waiting	DRCW	<p>Provisioning for SIP does not differ from provisioning for MGCP. However, the delivery method for DRCW is different.</p> <p>The subscriber provisions a list of DNs to receive DRCW tones.</p> <p>In MGCP, the phone plays the tone specified by the Cisco BTS 10200 in the protocol message. In SIP, the tone provisioned for the DN is specified by the Cisco BTS 10200 in the Alert-Info header of the INVITE as a file URL. A SIP phone, if capable, can interpret this header and play the specified distinctive ringing or call-waiting tone.</p>
Distinctive Ringing Call Waiting	DRCW_ACT	Same as MGCP.
Do Not Disturb	DND	Same as MGCP, except that the reminder ring cannot be used with SIP devices. For additional information on DND, see the “Do Not Disturb” section on page 2-31 .
Do Not Disturb Activation	DND_ACT	Same as MGCP.
Do Not Disturb Deactivation	DND_DEACT	Same as MGCP.
Group Speed Call—1 Digit	GSC1D	<p>Note You can use the same command, add sc1d, to provision the 1-digit speed call DN for either individual or group speed call; similarly, use add sc2d to provision the 2-digit speed call DN for either individual or group.</p> <p>For a general description of the speed call and group speed call features, see Chapter 3, “Subscriber Features,” in the <i>Cisco BTS 10200 Softswitch Network and Subscriber Feature Descriptions</i> document. For the general provisioning procedure see Chapter 7, “Features,” in the <i>Cisco BTS 10200 Softswitch Provisioning Guide</i>.</p>


Table 2-1 MGCP Features and SIP Support (continued)

MGCP-Based Feature	Abbreviation	Support for SIP Phone Compared to Support for MGCP-Based Phone
Group Speed Call—2 Digit	GSC2D	<p>Note You can use the same command, add sc1d, to provision the 1-digit speed call DN for either individual or group speed call; similarly, use add sc2d to provision the 2-digit speed call DN for either individual or group.</p> <p>For a general description of the speed call and group speed call features, see Chapter 3, “Subscriber Features,” in the <i>Cisco BTS 10200 Softswitch Network and Subscriber Feature Descriptions</i> document. For the general provisioning procedure see Chapter 7, “Features,” in the <i>Cisco BTS 10200 Softswitch Provisioning Guide</i>.</p>
Hotline	HOTLINE	Not supported.
Hotline Variable	HOTV	Not supported.
Hotline Variable Activation	HOTVA	Not supported.
Hotline Variable Deactivation	HOTVD	Not supported.
Hotline Variable Interrogation	HOTVI	Not supported.
Incoming Simulated Facility Group	ISFG	Same as MGCP.
Local Number Portability	LNP	Same as MGCP.
Multiline Hunt Group	MLHG	<p>MLHG is supported for SIP subscribers. SIP subscriber provisioning is slightly different than MGCP and Network-based Call Signaling (NCS) subscriber provisioning. For the differences between the MGCP-based procedures and the SIP-based procedures see the “Multiline Hunt Group (MLHG)” section in the <i>Network and Subscriber Feature Descriptions</i> document.</p> <p>Some MLHG features are applied differently for SIP subscribers than for MGCP/NCS subscribers.</p> <ul style="list-style-type: none"> • If a SIP subscriber is not registered, the system does not attempt to deliver the call to that subscriber. Instead, it searches for the next idle line. • If a SIP phone is capable of receiving multiple calls, and no other line in the MLHG is idle, the system can attempt to deliver the call to the busy SIP phone, depending on the provisioning in the subscriber table. <p>For additional feature details, see the “Multiline Hunt Group (MLHG)” section in the <i>Network and Subscriber Feature Descriptions</i>.</p>

Table 2-1 MGCP Features and SIP Support (continued)

MGCP-Based Feature	Abbreviation	Support for SIP Phone Compared to Support for MGCP-Based Phone
Multiple Directory Number	MDN	<p>Provisioning for SIP does not differ from provisioning for MGCP. However, the delivery methods for distinctive-ringing (a distinctive ring tone for each line of the MDN subscriber), and the distinctive tone on call waiting are different.</p> <p>You provision distinctive ringing and call waiting tones for each DN of the MDN subscriber in the same manner for MGCP and SIP. In MGCP, the phone plays the tone specified by the Cisco BTS 10200 in the protocol message. In SIP, the tone provisioned for the DN is specified by the Cisco BTS 10200 in the Alert-Info header of the INVITE as a file URL. A SIP phone, if capable, can interpret this header and play the specified distinctive ringing or call waiting tone.</p>
Outgoing Call Barring	OCB	Same as MGCP.
Outgoing Call Barring Activation	OCBA	Single stage digit collection.
Outgoing Call Barring Deactivation	OCBD	Single stage digit collection.
Outgoing Call Barring Interrogation	OCBI	Single stage digit collection.
Outgoing Simulated Facility Group	OSFG	Same as MGCP.
Remote Activation of Call Forwarding	RACF	Same as MGCP.
Remote Activation of Call Forwarding PIN	RACF_PIN	Same as MGCP.
Refer	REFER	This is not for MGCP users. Cisco BTS 10200 supports the SIP REFER interface to enable services such as Call-Transfer (attended, unattended) provided by the phone.
Selective Call Acceptance	SCA	Same as MGCP.
Selective Call Acceptance Activation	SCA_ACT	Same as MGCP.
Selective Call Forwarding	SCF	Same as MGCP.
Selective Call Forwarding Activation	SCF_ACT	Same as MGCP.
Selective Call Rejection	SCR	Same as MGCP.
Selective Call Rejection Activation	SCR_ACT	Same as MGCP.
Speed Call—1 Digit	SC1D	Same as MGCP.
Speed Call—2 Digit	SC2D	

Table 2-1 MGCP Features and SIP Support (continued)

MGCP-Based Feature	Abbreviation	Support for SIP Phone Compared to Support for MGCP-Based Phone
Speed Call Activation—1 Digit	SC1D_ACT	Speed call activation is supported for SIP subscribers.
Speed Call Activation—2 Digit	SC2D_ACT	<p>For MGCP and NCS endpoints, subscriber data provisioning (speed call digits and DN) is performed by the end user on the handset. However, for SIP endpoints, handset provisioning is not supported; therefore the service provider should perform this provisioning through the add sc1d and add sc2d CLI commands. For the complete provisioning procedures, see the “Features” chapter of the <i>Provisioning Guide</i>.</p> <p>The examples below show you how to do this.</p> <pre>add sc1d sub-id=406-555-1805; dn2=654-555-1222;</pre> <p>(Repeat as needed for DN3–DN9.)</p> <p> Caution For Centrex groups, use only DN2–DN7. Otherwise there could be a conflict with other features that begin with dialing 8 or 9. However, if you have provisioned the multiline variety package (MVP) feature for the Centrex group, and you are <i>not</i> using digit 8 for extension dialing and <i>not</i> using digit 9 for PSTN access, you can use DN8 and DN9 for speed call.</p> <pre>add sc2d sub-id=406-555-1806 dn20=654-555-1333;</pre> <p>(Repeat as needed for DN21–DN49.)</p>
Three-Way Calling	TWC	Functionality provided by the phone. The BTS 10200 supports the interface.
Three-Way Call Deluxe	TWCD	Varies with phone functionality.
Usage-Sensitive Three-Way Calling	USTWC	Functionality provided by the phone. The BTS 10200 supports the interface.
Warmline	WARMLINE	Not supported.

1. See additional information on call forwarding features in the “Call Forwarding” section on page 2-26.
2. See additional information on the delivery and suppression feature in the “Caller ID Delivery Suppression” section on page 2-29.
3. See additional information on calling name and calling number in the “Calling Name and Number Delivery” section on page 2-29.

Account Code Provisioning Example

In this example, note that ACCT_CODE_ALLOW is set to Y. This causes the system to prompt the caller for an account code.

```
add cos_restrict ID=Acct_Code; CASUAL_RESTRICT_TYPE=ALL_CICS_ALLOWED;
NATIONAL_RESTRICT_TYPE=ALL_NANP_CALLS; NATIONAL_WB_LIST=NONE;
INTL_RESTRICT_TYPE=ALL_CC_ALLOWED; II_RESTRICT=NONE BLOCK;_900=N; BLOCK_976=N; BLOCK_DA=N;
BLOCK_NANP_OPER_ASSIST=N;
BLOCK_INTL_OPER_ASSIST=N;
ACCT_CODE_ALLOW=Y;
ACCT_CODE_LENGTH=4;
AUTH_CODE_ALLOW=N;
BLOCK_INFO=N;
BLOCK_TW=N;
BLOCK_INTL=N;
NOD_WB_LIST=NONE;
```

```
PROMPT_METHOD=TONE; <<< For SIP endpoints, the system ignores this value.
ALLOW_CALLS_ON_IVR_FAILURE=N;
```

```
Change subscriber id=212-555-1206; cos_restrict_id=Acct_Code;
```

Authorization Code Provisioning Example

In this example, note that AUTH_CODE_ALLOW is set to Y. This causes the system to prompt the caller for an authorization code.

```
add cos_restrict ID=Auth_Code;
CASUAL_RESTRICT_TYPE=ALL_CICS_ALLOWED;
NATIONAL_RESTRICT_TYPE=LOCAL_ONLY;
NATIONAL_WB_LIST=NONE;
INTL_RESTRICT_TYPE=ALL_CC_ALLOWED;
II_RESTRICT=NONE;
BLOCK_900=N;
BLOCK_976=N;
BLOCK_DA=N;
BLOCK_NANP_OPER_ASSIST=N;
BLOCK_INTL_OPER_ASSIST=N;
ACCT_CODE_ALLOW=N;
AUTH_CODE_ALLOW=Y;
AUTH_CODE_LENGTH=23;
AUTH_CODE_GRP_ID=ivr23d;
BLOCK_INFO=N;
BLOCK_TW=N;
BLOCK_INTL=N;
NOD_WB_LIST=NONE;
PROMPT_METHOD=TONE; <<< For SIP endpoints, the system ignores this value.
ALLOW_CALLS_ON_IVR_FAILURE=N;
Change subscriber id=212-555-1207; cos_restrict_id=Auth_Code;
```

Cisco BTS 10200 Softswitch-Based Features

Softswitch-based features are directly provided by the BTS 10200. SIP phones can provide some features on their own; for information on the features provided by the different SIP phones, see the SIP phone administration guides.

This section describes Softswitch-based features entirely provided by the BTS 10200.



Note

BTS 10200 announcements are customizable on a business group basis. If an announcement is not provisioned or cannot be played, a reorder tone is played.

Summary

[Table 2-2](#) lists the most commonly used features; however, it is not an exhaustive list.



Note

The sections that follow the table provide additional details on selected softswitch-based features.

Table 2-2 *BTS 10200-Based SIP Features*

SIP Feature	Acronym
Activation and Deactivation of Anonymous Call Rejection	ACR
Anonymous Call Rejection Activation	ACR_ACT
Anonymous Call Rejection Deactivation	ACR_DEACT
Call Forwarding	CF
Call Forwarding on Busy Variable Activation	CFBVA
Call Forwarding on Busy Variable Deactivation	CFBVD
Call Forwarding on Busy Interrogation	CFBI
Call Forwarding on No Answer Variable Activation	CFNAVA
Call Forwarding on No Answer Variable Deactivation	CFNAVD
Call Forwarding on No Answer Interrogation	CFNAI
Call Forwarding Unconditional Activation	CFUA
Call Forwarding Unconditional Deactivation	CFUD
Call Forwarding Unconditional Interrogation	CFUI
Call Waiting Deluxe Activation	CWDA
Call Waiting Deluxe Deactivation	CWDD
Call Waiting Deluxe Interrogation	CWDI
Called Party Termination	CPT
Caller ID Suppression	CIDS
Calling Identity Delivery and Suppression (per call)—Suppression part	CIDSS
Calling Identity Delivery and Suppression (per call)—Delivery part	CIDSD
Calling Name Delivery Blocking	CNAB
Calling Name and Number Delivery	CND
Customer Access Treatment	CAT
Customer-Originated Trace	COT
Differentiated Services Code Point	DSCP
Direct Inward Dialing	DID
Direct Outward Dialing	DOD
Do Not Disturb	DND
Do Not Disturb Activation	DND_ACT
Do Not Disturb Deactivation	DND_DEACT
Emergency Call	E911
E.164 and Centrex Dialing Plan (Extension Dialing)	E.164
Incoming and Outgoing Simulated Facility Group	ISFG and OSFG
Multiple Directory Numbers	MDN
Operator Services (0-, 0+, 01+, 00 calls)	—
Outgoing Call Barring	OCB

Table 2-2 *BTS 10200-Based SIP Features (continued)*

SIP Feature	Acronym
Outgoing Call Barring Activation	OCBA
Outgoing Call Barring Deactivation	OCBD
Outgoing Call Barring Interrogation	OCBI
Remote Activation of Call Forwarding	RACF
Vertical Service Codes	VSC

Call Forwarding

The differences between the feature for SIP and the feature for MGCP are as follows:

- There is no tone provided for SIP users to prompt for forwarding digits. The SIP users enter the forwarding digits immediately after the VSC. This is called single-stage dialing.
- There is no dial tone played after the SIP user successfully activates or deactivates the Forwarding features. The SIP user always hears an announcement (if announcements are provisioned) or a re-order tone.

Call Forwarding Activation and Deactivation

Activation and deactivation of call forwarding features use the vertical service code (VSC), also known as a star code.

With SIP support, the call forwarded to number can be a Centrex extension number (only applicable for business users) or an E.164 number.



Note Forwarding to a URL AOR is not supported.

SIP subscribers do not hear a final dial tone upon completing activation or deactivation. Instead, an announcement plays for the subscriber, indicating that the status of the forwarding feature is being activated or deactivated. This is irrespective of the Final Stage Dial Tone (FDT) flag (Y/N) provisioned for these features.

Call Forwarding to an E.164 Number or an Extension Number

Activation and deactivation are accomplished using single-stage dialing.

Detailed Provisioning Procedure and Feature Description

Additional information on this feature is provided at the following links:

- Call forwarding sections in the *Cisco BTS 10200 Softswitch Provisioning Guide*

- “[Call Forwarding Features](#)” section in the *Cisco BTS 10200 Softswitch Network and Subscriber Feature Descriptions*

Call Park and Directed Call Pickup Features

The feature behavior of SIP endpoints is similar to the behavior of MGCP and NCS-based endpoints, but there can be a difference. The difference in behavior is due to the SIP Media Terminal Adapter (MTA) or phone device used, but it does not affect the performance of Cisco BTS 10200 Softswitch.

Prerequisites for SIP Endpoints

In order to deliver the CPRK, CPRK-RET, DPN, and DPU features on the Cisco BTS 10200 and SIP endpoints, the following must be met:

- If a subscriber presses the # key and the SIP-based MTA does not send the extension number in a SIP message to the Cisco BTS 10200, the Cisco BTS 10200 does not park the call on the subscriber's extension. If the MTA sends the subscriber's extension number, the Cisco BTS 10200 parks the call on the parking extension (subscriber's extension) number.
- If the parking party tries to park a call on his or her own extension by hanging up, the end point puts the parking party's extension in the SIP message to Cisco BTS 10200.
- If the Cisco BTS 10200 sends a SIP error response to a SIP-based MTA on a request for call park, the MTW is responsible of playing a reorder tone.
- For all of the features listed in this section (CPRK, CPRK-RET, DPN, and DPU)
 - The SIP endpoint must support en-bloc signaling. En-bloc means that the endpoint delivers both the VSC and the dialed directory number (DN) in a single string.



Note This is different from the case of an MGCP/NCS endpoint. In that case the end user dials the VSC, the system returns a tone, and then the end user dials the DN.

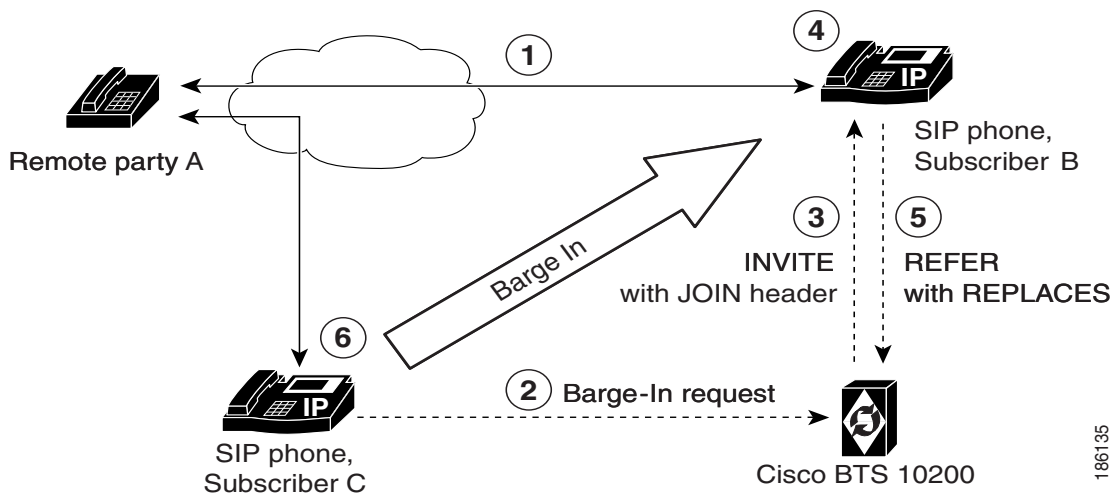
- For these features to work for all of the subscribers in the group, you must provision the [REFER feature](#) for those subscribers.

If the end user performs an invalid action, for example, the end user dials an invalid extension after the VSC or dials a VSC for a feature that is not assigned the line, the Cisco BTS 10200 sends an error message to the SIP endpoint. It is the responsibility of the SIP endpoint to play the reorder tone to the end user.

- For CPRK
 - A REFER request with VSC must be supported on the SIP endpoint.
 - The SIP endpoint must be capable of playing a confirmation tone.
- For DPU, the following prerequisites apply to the barged-in-upon SIP endpoint (shown as Subscriber B in [Figure 2-3](#)):
 - For the barged-in-upon SIP endpoint to be able to accept the barge-in request, it must support the JOIN header (based on RFC 3911).
 - The SIP endpoint must be capable of playing a barge-in tone to the users to indicate the call has been barged in to. This tone must be played when the SIP endpoint receives an INVITE message with the JOIN header, and before the SIP endpoint sends the success response back to the Cisco BTS 10200.

- SIP MTA must be capable of handling REFER failure or REFER reject sent from the Cisco BTS 10200 and must be capable of sending a RE-INVITE to the Cisco BTS 10200 to connect the called and calling parties, prior to the call park attempt is made. For example, if a call is already parked on an extension and an attempt to park another call is made, the REFER request fails and the call made prior to the call park initiation is restored.
- The SIP endpoint must support the REFER message with REPLACES header. This header is required for establishing a two-way call between the other two parties when the endpoint hangs up during a three-way call. This process is illustrated in Figure 2-3.

Figure 2-3 Barge-In Process



Notes for Figure 2-3

1. Remote party A and Subscriber B are in a stable call.
2. Subscriber C wants to barge in to the call on the Subscriber B side and sends a barge-in request to the Cisco BTS 10200.
3. The Cisco BTS 10200 sends an INVITE message with a JOIN header to Subscriber B.
4. Subscriber B plays a barge-in tone to its own headset and then sets up a three-way call. (The ability to play the tone and the ability to set up the three-way call are both in the SIP phone.)
5. If Subscriber B hangs up, a REFER message with a REPLACES header to the Cisco BTS 10200 is sent.
6. The Cisco BTS 10200 sets up a two-way call between Subscriber A and Subscriber C, just as it would if this were an attended call transfer.



Note

If Subscriber B does *not* hang up, but Subscriber A or Subscriber C hangs up, Subscriber B continues in a two-way call with the remaining party.

Limitation on JOIN Header

As shown in Figure 2-3, the Cisco BTS 10200 can send the JOIN header in an outbound Invite message. However, the Cisco BTS 10200 does not support the JOIN header on inbound messages.

Provisioning

You provision the CPRK, CPRK-RET, DPU, and DPN features for SIP endpoints as you would if you were provisioning for MGCP/NCS endpoints, as described in the “[Feature Provisioning](#)” chapter of the Cisco BTS 10200 Softswitch Provisioning Guide. However, you must also [provision the REFER feature](#) for all members of the group.

Calling Name and Number Delivery

Calling number delivery (CND) provides the SIP subscriber endpoint with the calling number of an incoming call. Calling name delivery (CNAM) provides the endpoint with the name of the calling party.

CND

The calling party number, if available, is delivered in the From header of the outgoing INVITE from the BTS 10200 to the terminating SIP phone. The number is delivered to the SIP phone even if the CND feature is not provisioned for the subscriber. The delivered information is as follows:

- If the calling number is available and the presentation indication is *not restricted*, the number is inserted into the user information portion of the From header.
- If the calling number is available and the presentation indication is *restricted*, the user information portion of the From header is set as “Anonymous.”
- If the calling number is not available, the user information portion of the From header is left empty.

CNAM

The calling party name is delivered in the outgoing INVITE from the BTS 10200 to the terminating SIP phone only if the CNAM feature is provisioned for the SIP subscriber. The delivered information is as follows:

- If the calling number and name are available and the presentation indication of both the calling number and calling name are *not restricted*, the calling name is inserted into the display name field of the From header.
- If the calling number and name are available and the presentation indication of either calling number or calling name is *restricted*, the display name field of the From header is set as “Anonymous.”
- If the calling name is not available, the display name field of the From header is left empty.

Additional information on this feature is provided at the following links:

- CND, CNAM, CNDB, and CNAB sections in the *Cisco BTS 10200 Softswitch Provisioning Guide*
- “[Calling Identity Features](#)” section in the *Cisco BTS 10200 Softswitch Network and Subscriber Feature Descriptions*

Caller ID Delivery Suppression

The treatment for caller’s identity is based on the presence of “anonymous” in the Display-Name field of the From header in the INVITE message. If the caller’s identity is restricted in the incoming SIP INVITE message, the presentation is suppressed.

Caller Identity presentation (allowed/restricted) information for SIP subscribers is not maintained in the the BTS 10200 database. This information is maintained on the individual phones and can be provisioned through the phone softkeys. Permanent restriction on the phone can be overridden if the caller dials a feature (*) code on a per-call basis. This is a single-stage dialing for SIP subscribers.

Additional information on this feature is provided at the following links:

- “CND, CNAM, CNDB, and CNAB” sections in the *Cisco BTS 10200 Softswitch Provisioning Guide*
- “Calling Identity Delivery and Suppression (CIDSD and CIDSS)” section in the *Cisco BTS 10200 Softswitch Network and Subscriber Feature Descriptions*

Customer Access Treatment

Provisioning this feature for SIP is the same as provisioning it for MGCP. The provisioning commands for this feature are shown in the “[Centrex Group](#)” section in the *Cisco BTS 10200 Softswitch Provisioning Guide*.

Direct Inward Dialing

Provisioning Direct Inward Dialing (DID) for SIP is the same as provisioning it for MGCP.

Assign the DID number to the subscriber as DN1 in the Subscriber table.

For information about the operation of this feature, see the “[Direct Inward Dialing](#)” section in the *Cisco BTS 10200 Softswitch Network and Subscriber Feature Descriptions*.

Direct Outward Dialing

With the Direct Outward Dialing (DOD) service, a station user can place external calls to the exchange network without attendant assistance by:

1. Dialing the DOD (public) access code (usually the digit 9)
2. Receiving a second dial tone
3. Dialing the external number (a number outside the customer group)

Access to the DOD feature is subject to station restrictions.



Note

For IP phones, the second dial tone is provided by the phone itself. However, the prefix code is presented to the BTS 10200 along with the DDD number in the INVITE message. Secondary dial-tone capability is dependent on the SIP device used.

For information about the operation of this feature, see the “[DOD for PBX](#)” section in the *Cisco BTS 10200 Softswitch Network and Subscriber Feature Descriptions*.

Do Not Disturb

The Do Not Disturb (DND) feature enables a user to block incoming calls to the station on which the feature is activated. If no call forwarding features are activated, calls to the station are routed to busy treatment. This feature should be provisioned and activated on the BTS 10200 because of feature interaction with advanced features like executive override.

This is a single-stage dialing activation feature. The Alert-Info header plays the result of activation/deactivation—Success is a confirmation tone and failure is a failure message.

The reminder ring option (which is available with the DND feature on MGCP-based lines) cannot be used with SIP devices.

For features (such as DND) that can be fully provisioned on the BTS 10200 or on the phone, you can provision either one of the devices to enable the feature.



Caution

Prior to provisioning your system, determine how you want to apply and configure features in your network to avoid conflicts between features provided by the BTS 10200 and features provided by the phones.

Additional information on this feature is provided at the following links:

- [“Do Not Disturb \(DND\)”](#) section in the *Cisco BTS 10200 Softswitch Provisioning Guide*
- [“Do Not Disturb \(DND\)”](#) section in the *Cisco BTS 10200 Softswitch Network and Subscriber Feature Descriptions* document

E.164 and Centrex Dialing Plan (Extension Dialing)

The system supports E.164 and Centrex Dialing Plan (extension dialing) addressing from SIP subscribers served by the local BTS 10200.

The SIP phone’s dial plan must be configured so that it factors in the number of digits in the Centrex group. Centrex dialing can be provisioned within a range of 1 through 7 digits. Each Centrex group should have its own separate dial plan.



Note

The CDP feature should be assigned to every Centrex category user.

A SIP URL with E.164 Addressing would look similar to the following example:

```
sip:4695550123@rcdn.cisco.com;user=phoneA sip:50603@rcdn.cisco.com;user=phone
```

Additional information on this feature is provided at the following links:

- [“Provisioning a Centrex Group”](#) section in the *Cisco BTS 10200 Softswitch Provisioning Guide*
- [Cisco BTS 10200 Softswitch Routing and Dial Plan Guide](#)
- [“Numbering Plans and Dialing Procedures”](#) section and [“Features for Centrex Subscribers Only”](#) sections in the *Cisco BTS 10200 Softswitch Network and Subscriber Feature Descriptions*

Operator Services (0-, 0+, 01+, and 00 Calls)

There is no Cisco BTS 10200 Softswitch subscriber-specific provisioning involved for Operator Services.

Additional information on this feature is provided in the “[Operator Services](#)” section in the *Cisco BTS 10200 Softswitch Network and Subscriber Feature Descriptions*.

User-Level Privacy

User-level privacy is provisioned in the Subscriber table.

Setting the privacy parameter to **user** directs the system to apply the user-provided privacy information. This setting (**privacy=user**) applies only to SIP endpoints that are capable of including privacy information.

Vertical Service Code Features

This section explains how to plan VSCs in a network with SIP subscribers, and lists the VSC-enabled features.

Planning VSCs In Networks with SIP Subscribers

Some features require SIP subscriber to enter a series of numbers and characters on the SIP client or handset. Typically, the subscriber dials VSC digits followed by additional dialing keys representing the parameters for the feature call. For MGCP subscribers, the BTS 10200 sends a response tone or announcement between the VSC code and the additional digits. However, for SIP endpoints, all the digits are dialed at a stretch without waiting for an intervening response tone from the BTS 10200. The following paragraph explains how certain combinations of VSC can cause mismatches between the feature the subscriber is attempting to manage versus the response of the BTS 10200, and how to plan VSCs to avoid these mismatches.

You should not deploy certain combinations of VSCs on networks with SIP endpoints. If you deploy a VSC longer than 2 digits, make sure that the longer VSC does not begin with the same sequence of characters as one of the shorter VSCs. In some cases, the system might match the shorter string even if the subscriber dialed the longer string. Consider the following example, for which the subscriber is expected to dial a VSC followed by a DN.

A SIP subscriber is provisioned with *93 for Feature1 and *938 for Feature2, and dials *938+2135551801 to invoke Feature2. The BTS 10200 receives *9382135551801 in the INVITE message. By default, it takes the first six characters, in this case *93821, and uses this string to look up the feature in the VSC table. There is no match for *93821, therefore the BTS 10200 proceeds as follows. First, it uses *9 to look for a match in the VSC table and it cannot be found. Then it uses *93, finds a match, and delivers Feature1. This is incorrect. The user's intention was to invoke Feature2 and not Feature1. The solution is for the service provider to change one of the two VSCs (either *93 or *938) in the VSC table.

Supported VSC-Enabled Features for SIP Endpoints

The following BTS 10200 Vertical Service Code (VSC) features are supported on SIP endpoints:

- CIDSS

- CIDS
- CNAB
- OCBA, OCBD, and OCBI
- CFUA, CFUD, and CFUI

Reminder ringback cannot be enabled for SIP subscribers. If you are turning on the CFU feature for a SIP subscriber, make sure that reminder ring capability is turned off. This should be done at a subscriber level.

Here is the command format at the feature level:

```
add feature fname=CFU; tdp1=TERMINATION_ATTEMPT_AUTHORIZED;
tid1=TERMINATION_ATTEMPT_AUTHORIZED; feature_server_id=FSPTC235; ttype1=R;
fname1=CFUA; fname2=CFUD; type1=MCF; value1=Y; type2=RR; value2=N;
description=CFU MCF multiple call forwarding allowed, RR ring reminder not
allowed;
```

Here is the command format at the subscriber feature level:

```
add subscriber-feature-data sub_id=sip_sub2; FNAME=CFU; type2=RR; VALUE2=N;
```

- CFNAVA, CFNAVD, and CFNAI
- CFBVA, CFBVD, and CFBI
- RACF_PIN

Voice Mail

The voice-mail (VM) feature on the BTS 10200 allows subscribers to retrieve waiting voice messages from a VM server. The BTS 10200 receives a message-waiting indication (MWI) from the VM server and forwards the MWI to the subscriber's handset. The subscriber can then retrieve messages from the server. The VM feature is available to individual subscribers and Centrex subscribers.

SIP trunks interconnecting the BTS 10200 to an external VM server must be provisioned as SIP VM trunks. To do that, you set the VM flag (voice-mail-trunk-grp) for these trunks in the Softswitch Trunk Group Profile (softsw-tg-profile) table. (See the [“SIP Trunk to Voice-Mail Server”](#) section on page 3-48.)



Note

For a description of the basic VM feature, see the [“Voice Mail and Voice Mail Always”](#) section in the *Cisco BTS 10200 Softswitch Network and Subscriber Feature Descriptions*. For general VM provisioning details, see the [“Voice Mail”](#) section in the *Cisco BTS 10200 Softswitch Provisioning Guide*.

VM Actions

The following voice mail-related actions are supported in the BTS 10200:

- [VM Deposit](#)
- [MWI Notification](#)
- [Retrieving VM](#)
- [Calling Back a Message Depositor](#)

VM Deposit

There are two methods for depositing voice mail. In the first, the subscriber dials the pilot number for the VM server, and the call terminates on the voice-mail trunk. The VM system then collects the message for a target mailbox, using IVR prompts to guide the subscriber.

This method of depositing voice mail does not use any special BTS 10200 capabilities; it just requires that the VM SIP trunk is provisioned and the pilot number is added to the dial plan of the subscriber calling the VM system.

In the second (more common) method, the subscriber activates a call forwarding feature on the BTS 10200, such as CFNA, CFU, or CFB, and specifies the forwarding number as the pilot number of the VM server.

MWI Notification

When a SIP phone registers with the BTS 10200, the BTS 10200 sends an unsolicited SIP NOTIFY message to convey the MWI status to the phone. This occurs on every registration, including refreshes.

Whenever a change in VM status occurs for a subscriber (for example, when a VM message is deposited for the subscriber, or when all such messages have been retrieved), the VM server sends an update to the BTS 10200. If the subscriber is on a SIP phone, the BTS 10200 sends an unsolicited SIP Notify message to convey the MWI status to the phone. The number in the NOTIFY message Request URL (which is the assigned subscriber number) identifies the subscriber.

When the BTS 10200 is congested by a flood of registrations (which might occur, for example, when power is restored to a region after an outage), it can automatically suppress the MWI indication to the registering phones, so that registration throughput is not adversely affected.

The BTS 10200 implements draft-ietf-sipping-MWI-01.txt, *A Message Summary and Message Waiting Indication Event Package for the Session Initiation Protocol (SIP)*, with the following caveat: It supports receiving unsolicited NOTIFYs from a VM system; however, it does not support subscribing to these notifications. Further, the BTS 10200 does not support subscriptions for MWI. It sends unsolicited NOTIFYs for MWI to SIP subscribers. No subscription is expected from the SIP phones for the purpose of receiving this notification.

The notification of MWI by the BTS 10200 is enabled by default (VMWI=Y in the Subscriber table). You can disable it by setting VMWI=N.



Tip

For MGCP subscribers, the BTS 10200 sends the MGCP RQNT message to turn on MWI on the analog phone. This activates the MWI indicator on the subscriber phone. The indicator can be visual (a lamp, an envelope, or another icon on a display) or it can be auditory, such as a stutter dial tone that is provided when the user next goes off-hook.

For information on setting the MWI and VMWI parameters in the Subscriber table, see the [“Message Waiting Indicator \(MWI\)—Audible and Visual”](#) section in the *Cisco BTS 10200 Softswitch Network and Feature Descriptions*.

Retrieving VM

To retrieve a VM message, subscribers dial the pilot number for the VM server. The BTS 10200 routes the call to the SIP trunk for VM, based on the provisioned dial plan for the subscriber and the route, destination, and trunk-group entries.

Once the VM message is retrieved, the VM server sends a NOTIFY message to the BTS 10200 to turn off the MWI indicator.

Calling Back a Message Depositor

When subscribers call into a VM server, this feature allows for calling back the person who left the voice-mail message. The feature requires that a Softswitch trunk for the VM server be provisioned in the Cisco BTS 10200 Softswitch with the relevant routes, destination, and dial plans in order to admit VM-originated calls into the BTS 10200.

VM Implementation for Centrex Subscribers

For calls received on SIP VM trunks from the VM server, a subscriber is provisioned and associated as the main sub-ID for each trunk. The subscriber information represents properties of a specific Centrex group and does not represent any particular subscriber. No AOR is provisioned for this subscriber. This information is used for call processing.



Note For general VM provisioning details, see “Voice Mail” in the *Cisco BTS 10200 Softswitch Provisioning Guide*.

VM Within a Single Centrex Group

The following examples show commands for provisioning Centrex VM. Before you perform the following steps, you must already have a Centrex group provisioned on your system. See the procedure in the “Centrex Group” section of the *Cisco BTS 10200 Softswitch Provisioning Guide*.

Step 1 Add the destination ID for the voice-mail main subscriber.

```
add destination dest-id=tb16-local; call-type=LOCAL; route-type=SUB;
```

Step 2 Add a dial plan profile and dial plan for a SIP trunk to the VM server.

```
add dial-plan-profile id=tb16;
```

```
add dial-plan id=tb16; digit-string=469-555; dest-id=tb16-local; min-digits=10;
max-digits=10
```

Step 3 Add the softswitch trunk group profile for voice mail.

```
add softsw-tg-profile id=VM_Profile; protocol-type=SIP; voice_mail_trunk_grp=Y;
```



Note As an option, you can provision the diversion-header-supp token in the softsw-tg-profile table to Y. This instructs the VM server to select the target inbox based on the original called number in the Diversion header of the SIP message.

Step 4 Add the SIP trunk group.



Note This SIP trunk group serves several purposes. It is used (1) by the subscriber to access the VM server, (2) by the BTS 10200 to forward incoming calls to the VM server, and (3) by the VM server to notify the BTS 10200 that a message is waiting for the subscriber.

```
add trunk-grp id=80032; softsw-tsap-addr=vm.domainname.com:5060; call-agent-id=CA146;
tg-type=softsw; tg-profile-id=VM_Profile; dial-plan-id=tb16
```

Step 5 Add a subscriber to the Centrex group to serve as the VM main subscriber.

```
add subscriber id=vmctxg1; CATEGORY=ctxg; BILLING-DN=469-555-0144; DN1=469-555-0144;
SUB-PROFILE-ID=Centrex_sp2; TERM-TYPE=TG; ctxg_id=ctxgsip1; tgn_id=80032;
```

Step 6 Link the VM main subscriber with the trunk group.

```
change trunk-grp; id=80032; main_sub_id=vmctxg1;
```

Step 7 Map the voice-mail Centrex extension to the VM main subscriber.

```
add ext2subscriber CTXG-ID=ctxgsip1; EXT=540144; CAT-CODE=1; SUB-ID=vmctxg1;
```

Step 8 If your VM server does not support FQDN hostnames, you must provision a serving-domain-name record in the BTS 10200 using the IP addresses resolved from the sia-xxxCAAnn.domain address. Otherwise, the VMWI status from SIP voice-mail platforms fails authentication with the BTS 10200. The details for this step are provided in [Step 6](#) of the “SIP Trunk to Voice-Mail Server” section on [page 3-48](#).

Provisioning Voice Mail Across Multiple Centrex Groups

A VM application server can provide VM service for Centrex subscribers from multiple Centrex groups on the BTS 10200. For the VM server to identify the subscriber and provide service configured for a Centrex group, the BTS 10200 must indicate the Centrex group with which the subscriber is associated.

When the BTS 10200 forwards a call from a Centrex extension to VM, the VM server identifies the Centrex group of the extension to deposit the message in the correct mailbox. Further, when the VM server sends a SIP NOTIFY message to indicate that messages are waiting for a Centrex subscriber on the BTS 10200, it must identify the Centrex group in the request URI of the NOTIFY message sent to the BTS 10200.

For any INVITE sent out a SIP trunk by the BTS 10200 to the VM server, a BTS 10200 proprietary SIP URL parameter bgid is added to the From, To, Diversion, and Request URIs, if the user part of those URLs contains a Centrex extension number format in the user information field. The bgid value is provisioned as the trunk-subgroup-type on the SIP trunk, and identifies the Centrex group.

An example of this parameter syntax follows:

```
INVITE sip:50001@vm.cisco.com:5060;user=phone;bgid=grpA SIP/2.0
From: <sip:50603@bts.cisco.com;user=phone;bgid=grpA>;tag=1_1146_f40077_3jwv
To: <sip:50586@bts.cisco.com;user=phone;bgid=grpA>
Diversion: <sip:50586@bts.cisco.com;bgid=grpA>;reason=unconditional;counter=1
```

When the VM server notifies the BTS 10200 of a MWI for a Centrex subscriber, the VM server sends a Notify SIP request to the BTS 10200 with a Centrex number format in the Request URL, and an associated bgid parameter identifying the Centrex group associated with the subscriber. When the VM server initiates a call to a BTS 10200 Centrex subscriber for VM callback functionality, bgid is added to the request URL of the initial INVITE originating from the VM server. This identifies the Centrex group associated with the subscriber.

The BGID parameter in the REQURI of an INVITE originated from the VM server identifies the called subscriber in the targeted Centrex group. For example, the BGID parameter in the REQURI of a NOTIFY message from the VM server to the BTS 10200 identifies the subscriber in the targeted Centrex group whose MWI lamp is turned on or off.

The BTS 10200 does not support extension-dialed calls from one Centrex group to another. Therefore, the bgid parameter has an identical value if it is present in any of the URLs in the From, To, Diversion, and Request URL headers for a given INVITE message. The trunk group configuration includes a trunk subgroup field for specifying the bgid parameter value. One trunk group is provisioned for each Centrex

group; the bgid parameter in the trunk group table is unique to the specific Centrex group. Routing tables are configured so that each trunk handles SIP calls to and from the VM server for a specific Centrex group. To qualify a specific trunk for bgid and VM, provision as follows:

- In the Trunk Group (trunk-grp) table, provision the bgid value in the trunk-sub-grp field.
- In the softsw-tg-profile table:
 - Provision the trunk-sub-grp-type field as BGID.
 - Provision the voice-mail-trunk-grp field as Y.

The following provisioning steps illustrate how to provide VM service for BTS 10200 Centrex subscribers across multiple Centrex groups.

-
- Step 1** Add a SIP trunk profile for voice-mail trunks. Qualify voice-mail trunks by setting the voice-mail flag, and set the trunk sub-group type to indicate use of business group identifier:

```
add softsw_tg_profile ID=<profile_id>; PROTOCOL_TYPE=SIP; VOICE_MAIL_TRUNK_GRP=Y;
TRUNK_SUB_GRP_TYPE=BGID;
```

- Step 2** Add a SIP trunk for each business group identifier. Each trunk points to the address of the voice-mail sever.

In the following command, be sure to enter a unique business group identifier for each Centrex group, for example, **bg1**, **bg2**, and **bg3**, for the three Centrex groups in this example.

Also, be sure to specify the FQDN and port that the VM server uses for SIP message exchange, for example, **vmserver:5060**.

```
add trunk_grp ID=<trk_grp_id1>; TG_TYPE=SOFTSW; TG_PROFILE_ID=<profile_id>;
SOFTSW_TSAP_ADDR=vmserver:5060; DIAL_PLAN_ID=dp; TRUNK_SUB_GRP=bg1;
```

```
add trunk_grp ID=<trk_grp_id2>; TG_TYPE=SOFTSW; TG_PROFILE_ID=<profile_id>;
SOFTSW_TSAP_ADDR=vmserver:5060; DIAL_PLAN_ID=dp; TRUNK_SUB_GRP=bg2;
```

```
add trunk_grp ID=<trk_grp_id3>; TG_TYPE=SOFTSW; TG_PROFILE_ID=<profile_id>;
SOFTSW_TSAP_ADDR=vmserver:5060; DIAL_PLAN_ID=dp; TRUNK_SUB_GRP=bg3;
```

- Step 3** Create a dial plan for calls received on the SIP trunks, so that they can be routed based on the called party number. For example, the identifier for the dial plan in this example is **dp**. (The dial plan provisioning details are not shown here.) The Centrex group routing and dial plan tables should be provisioned so that calls originating from a specific Centrex group subscriber are sent out the SIP trunk with the business group identifier representing that Centrex group.
-

Jointly Provided Features

Some features are provided jointly by the phone and by the BTS 10200. Here are some examples:

- [Call Transfer \(Blind and Attended\) with REFER](#)
- [Distinctive Ringing](#)
- [Distinctive Ringing for Centrex DID Calls](#)

The sections that follow provide information about these features.

Call Transfer (Blind and Attended) with REFER

The SIP Call Transfer (CT) feature is supported for SIP subscribers. For SIP phones, this feature is provided as part of REFER support on the BTS 10200.

The CT feature requires phone support for sending the SIP REFER message. See the phone documentation for details on the user interface and procedures for effecting a call transfer. Both blind and attended transfers are supported. Attended transfer to a transfer-target is supported only after the target answers; that is, consultative attended transfer is supported. Attended transfer is not possible while the transfer-target is being alerted (ringing state).

The difference between provisioning the feature for SIP and provisioning it for MGCP is as follows:

- Call transfer on both the Cisco IP Phone 7905/7912 and the Cisco IP Phone 7940/7960 is done using softkeys. On the Cisco ATA 186/188, call transfer is done using the Flash key (or by pressing the on-hook button briefly) on the analog phone attached to the Cisco ATA 186/188.
- Call-transfer functionality for SIP-based systems is performed using the REFER feature, *not* the traditional CT feature. To enable CT for SIP subscribers, you must provision the REFER feature as an office trigger in the BTS 10200. See the [“SIP Call Transfer with REFER and SIP INVITE with Replaces” section on page 3-43](#) for additional details and provisioning procedures.

Distinctive Ringing

Distinctive ringing uses a special ringing pattern to alert the called user of incoming calls from preselected telephone numbers. This is a CLASS feature and is offered to both business and residential users. There is no difference between provisioning the feature for SIP and provisioning it for MGCP.

You can edit the list of selected numbers through the Screening List Editing (SLE) feature, which requires the configuring of an IVR with the BTS 10200. Distinctive ringing can be assigned to a station and to the group, and it can be applied to users based on the call type/calling number. When assigned to a group, distinctive ringing is applied to users in the group based on the call type. When assigned to the line, distinctive ringing is applied to the user based on the calling number. The BTS 10200 sends an Alert-Info header in the outgoing INVITE message, instructing the SIP phone to play a specific ring tone.

Distinctive ringing depends on the SIP phone's capability to support processing of the information received in an Alert-Info header.

Distinctive Ringing for Centrex DID Calls

The BTS 10200 sends an Alert-Info header in the outgoing INVITE message, instructing the SIP phone to play a specific ring tone. Distinctive ringing depends on the SIP phone's capability to process the information received in the Alert-Info header. There are no differences between provisioning the feature for SIP and provisioning it for MGCP.

Phone-Based Features

The phone provides some features standalone, without BTS 10200 support. If the SIP phone requires provisioning to provide this function, refer to the SIP phone documentation for instructions.

[Table 2-3](#) lists the phone-based features.

Table 2-3 SIP Phone-Based Features

Feature	Acronym
Call Hold and Resume	CHD
Call Waiting	CW
Call Waiting Caller ID	CWCID
Cancel Call Waiting	CCW
CODEC Up-Speeding	CODEC ¹
Do Not Disturb	DND
Three-Way Calling	TWC

1. For feature calls between MGCP and SIP subscribers, the BTS 10200 supports the CODEC up-speeding capability. The SIP phone would also need to support this capability for the up-speeding capability to be fully supported in the call.

For features (such as DND) that are available independently on the phones and the BTS 10200, you can provision either device to enable the feature.

**Caution**

Prior to provisioning your system, determine how you want to apply and configure features in your network to avoid conflicts between features provided by the BTS 10200 and features provided by the phones.



CHAPTER 3

SIP Trunks

Revised: October 30, 2012, OL-25004-02

This chapter describes SIP trunk features on the Cisco BTS 10200 Softswitch, and how to use them. SIP trunks service SIP calls between the BTS 10200 and external SIP entities other than local SIP subscribers, such as voice-mail servers, remote call agents, and SIP proxies.

The information in this chapter includes:

- [General Characteristics and Usage of SIP Trunks, page 3-2](#)
- [SIP Trunk Provisioning Example, page 3-2](#)
- [Call Processing on SIP Trunks, page 3-3](#)
- [Validation of Source IP Address for Incoming SIP Messages, page 3-4](#)
- [Loop Detection, page 3-4](#)
- [Locating SIP Servers Through DNS Queries, page 3-5](#)
- [Reliable Provisional Responses, page 3-10](#)
- [Provisioning Session Timers for SIP Trunks, page 3-12](#)
- [SIP Timer Values for SIP Trunks, page 3-13](#)
- [SIP Route Advance, page 3-14](#)
- [SIP Status Monitoring and SIP Element Audit, page 3-14](#)
- [SIP Triggers, page 3-22](#)
- [Call Redirection, page 3-22](#)
- [Support for Sending 302 on Call Forwarding, page 3-24](#)
- [Diversion Indication for SIP Trunks, page 3-26](#)
- [Number Portability Information and Carrier Identification Code, page 3-27](#)
- [SIP Trunk Subgroups, page 3-29](#)
- [SIP-T, ISUP Version, ISUP Transparency, and GTD, page 3-33](#)
- [DTMF SIP Signaling, page 3-35](#)
- [Asserted Identity and User-Level Privacy, page 3-37](#)
- [Third-Party Call Control, page 3-40](#)
- [ANI-Based Routing, page 3-40](#)
- [T.38 Fax Relay CA Controlled Mode Across SIP Trunk Interface, page 3-42](#)

- [SIP Call Transfer with REFER and SIP INVITE with Replaces](#), page 3-43
- [SIP Trunk to Voice-Mail Server](#), page 3-48
- [Cluster Routing](#), page 3-49
- [CMS-to-MGC Routing](#), page 3-49
- [SIP Server Groups](#), page 3-50
- [SIP Trunk Call Admission Control](#), page 3-72
- [SIP Trunk Group Authentication and Registration](#), page 3-75
- [SIP Trunking for PBX Connection](#), page 3-82

General Characteristics and Usage of SIP Trunks

The BTS 10200 can be configured to use User Datagram Protocol (UDP) or Transmission Control Protocol (TCP) transport for communications over a SIP trunk. A SIP trunk is configured in the BTS 10200 with the following:

- IP address or fully qualified domain name (FQDN) and port for address information of external SIP entity
- Dial plan and dialed digit string entries for routing of calls received on the trunk
- Profile to define the feature set and SIP protocol properties for the trunk

Following are the general usage guidelines and limitations for SIP trunks:

- Typically, one trunk is defined for each external SIP entity communicating with the BTS 10200 over SIP.
- Multiple trunks can be associated with a provisioned route set providing route advance functionality.
- SIP trunks have OAM state and status, and can be set in service and out of service by the administrator.
- SIP trunks set themselves operationally out of service if the remote SIP entity does not respond. You can enable or disable the monitoring for this function through the `status_monitoring` field in the SIP Element (`sip-element`) table.
- Trunks can be defined as trunk types SIP or SIP for Telephones (SIP-T).
- External SIP entities are addressed as follows:
 - SIP-T trunks must communicate with the BTS 10200 using the SIP-T protocol.
 - SIP trunks must communicate with the BTS 10200 using the standard SIP protocol.
- A regular SIP call can be received on a SIP-T trunk.
- The system imposes limits on the decoding of incoming SIP messages. These limits are intended to protect the system from decoding extremely large messages, which in turn could overload the system and cause performance problems. See the [“Limitations on Number of URLs, Parameters, and Headers”](#) section on page 4-9.

SIP Trunk Provisioning Example

In the following example, a local BTS 10200 subscriber makes a call out from a SIP trunk to a SIP proxy serving an NPA-NXX domain.

The example shows how to create a trunk group (TG) and associate it with the IP address of the proxy. It also shows how to provision the originator's dial plan with the dialed digits associated with the trunk.

CLI Provisioning Example



Note

Before provisioning, identify the following:

1. The first 6 dial digits of the SIP proxy NPA-NXX domain: in this example, 469-555.
2. Provisioned dial plan ID of the originator in BTS 10200: in this example, dp1.
3. IP address of the SIP proxy: in this example, 192.168.3.3.

```
add softsw_tg_profile id=<profile_id>; protocol_type=SIP;
add pop id=<pop_id>; state=tx; country=usa; timezone=CST;
add sip-element; tsap-addr=192.168.3.3;
add trunk_grp id=<trunk_group_id>; tg_type=SOFTSW; softsw_tsap_addr=192.168.3.3;
dial_plan_id=dp1; tg_profile_id=<profile_id>; call_agent_id=<ca_id>; pop_id=<pop_id>;
add route id=<route_id>; tgn1-id=<trunk_id>;
add route-guide id=<route_guide_id>; policy_type=ROUTE; policy_id=<route_id>;
add destination dest-id=<dest_proxy_id>; call-type=LOCAL; route-type=ROUTE;
route_guide_id=<route_guide_id>;
add dial-plan id=dp1; digit-string=469-555; dest-id=<dest_proxy_id>;
control trunk-grp id=<trunk_group_id> target-state=INS; mode=forced;
control sip-element tsap-addr=192.168.3.3; target-state=INS;
```

Additional Options

The following are additional options for SIP trunk provisioning:

- You can provision the system to send the +CC (country code) format. See the note in the [“Call Processing on SIP Trunks”](#) for further details.
- The Transport Service Access Point (TSAP) address in the outbound SIP trunk group can be provisioned with a static IP address. The inbound SIP trunk group must be provisioned to match the domain name in the incoming INVITE message top-most VIA header. If you do not provision the TSAP address field this way, the call is rejected with 403 Forbidden message. If you prefer to avoid domain name system (DNS) lookups and use the static IP address, we suggest using at least three SIP trunk groups: two for outbound with the IP addresses of two remote softswitches, and one for inbound with the domain name of one remote softswitch.

Call Processing on SIP Trunks

Outbound calls on the BTS 10200 are processed by the BTS 10200 routing system. The routing system selects an outbound SIP trunk based on the digits dialed and the dial plan of the originating entity. The SIP call is then transmitted out a TCP or UDP socket toward the IP address associated with the trunk selected by routing. SIP call features and characteristics are applied to the outbound call based on the feature selections in the trunk profile associated with the trunk.



Note

RFC 3398 states that any outbound SIP number with NOA=NATIONAL must be prefixed with “+CCnumber” which is an international format, and any number with NOA=subscriber must be given an international format. The sending of the full E.164 format is enabled by a flag (send-full-e164) in the softsw-tg-profile table to enable interworking with downstream devices that require this number format.

For inbound calls, the SIP call is received on a TCP or UDP socket. To determine a SIP trunk associated with a the call, the BTS 10200 compares the address of the previous-hop SIP entity in the VIA header of a request with the IP addresses associated with the provisioned SIP trunks, looking for a match. The system uses the domain name or IP address of the top-most VIA header of the received INVITE to identify the inbound SIP trunk group, unless the SIP Inbound Policy Profile (sip-inbound-policy-profile) table is provisioned.

If the previous-hop SIP entity is represented by an FQDN, the BTS 10200 compares it with SIP trunks associated with this FQDN. If the SIP call is not associated with any trunk, the call is refused, unless it is identified as coming from a local BTS 10200 subscriber. The SIP call is then sent to the routing system with the trunk identification. The routing system uses the dial plan associated with the inbound trunk and the dialed digits to make routing decisions for the outbound direction.

SIP inbound policy parameters are not defined by default, but if you provision them, these parameters enable the system to determine the incoming SIP trunk. The policy defines specific SIP message headers the system should look for to identify the incoming SIP trunk when a dialog-initiating request is received. The starting policy is normally specified in the SIP-INBOUND-POLICY-PROFILE-ID of the Call Agent Profile (ca-profile) table. However, if this value is unspecified, the system applies the trunk-group identification technique of matching the sent-by in the VIA of a request to the TSAP address of a trunk group. Finally, if that does not identify a trunk group, the system attempts to route the call based on subscriber identification.

Validation of Source IP Address for Incoming SIP Messages

The system can perform source IP address validation of incoming messages received on SIP trunks. This validation process is intended to reduce the risk of security attacks, which can occur if a packet is sniffed in the network and then sent from a different or rogue IP address, or domain (information that can be read from the VIA header). By default, IP address validation is disabled on the Cisco BTS 10200 Softswitch. The service provider can enable this capability using the SIA-TG-VALIDATE-SOURCE-IP token in the ca-config table. This is a switch-wide parameter, and applies to all SIP trunk groups.

You can enable IP address validation using the following command:

```
add ca-config type=SIA-TG-VALIDATE-SOURCE-IP; datatype=BOOLEAN; value=Y;
```



Note

By default, SIA-TG-VALIDATE-SOURCE-IP is set to N, and IP address validation is disabled.

Loop Detection

The system supports provisionable parameters in the softsw-tg-profile table. The parameters, which allow control of the maximum-forwards and hop-counter fields of the SIP INVITE message, are as follows:

- HOP-COUNTER-MAX
- HOP-COUNTER-SUPP
- MAX-FORWARDS
- SCALE-FACTOR

**Note**

The hop count between SIP and SS7 networks is scaled appropriately in the BTS 10200 based on the provisioning of the SCALE-FACTOR token.

The description and relationship of these parameters are provided in the softsw-tg-profile table in the [Cisco BTS 10200 Softswitch CLI Database](#).

Locating SIP Servers Through DNS Queries

This section explains how the system can locate SIP servers based on inbound and outbound requests.

Locating SIP Servers from an Incoming Request

The system can locate SIP servers based on information in the inbound request.

The BTS 10200 can request and accept TCP connections. The system provides for the selection of TCP or UDP on trunk groups with or without SRV support. When accepting connections, the BTS 10200 listens for and accepts TCP connection requests. It also listens for incoming requests on UDP. Once a request is received, the system sends SIP responses using the same transport type as the associated request. If this occurs over a TCP connection and the connection still exists, the system reuses that connection. If the connection is gone, the system attempts to establish a new connection to the same address.

Locating SIP Servers from an Outbound Request

The system can locate SIP servers based on SIP trunk provisioning applicable to the outbound request.

The NAPTR and SRV DNS functions allow the BTS 10200 SIP interface to correctly interoperate with proxy farms and find proxies and redirect servers. Operators can designate some service hosts as primary servers, and others as backup. When provisioned to support NAPTR and SRV functions, the BTS 10200 discovers the most preferred transport protocol of the locally supported destination, and obtains an SRV query string to locate a server supporting that protocol. The system follows the procedures described in RFC 2782 and RFC 3263 to determine the transport, IP address, and port for the next hop.

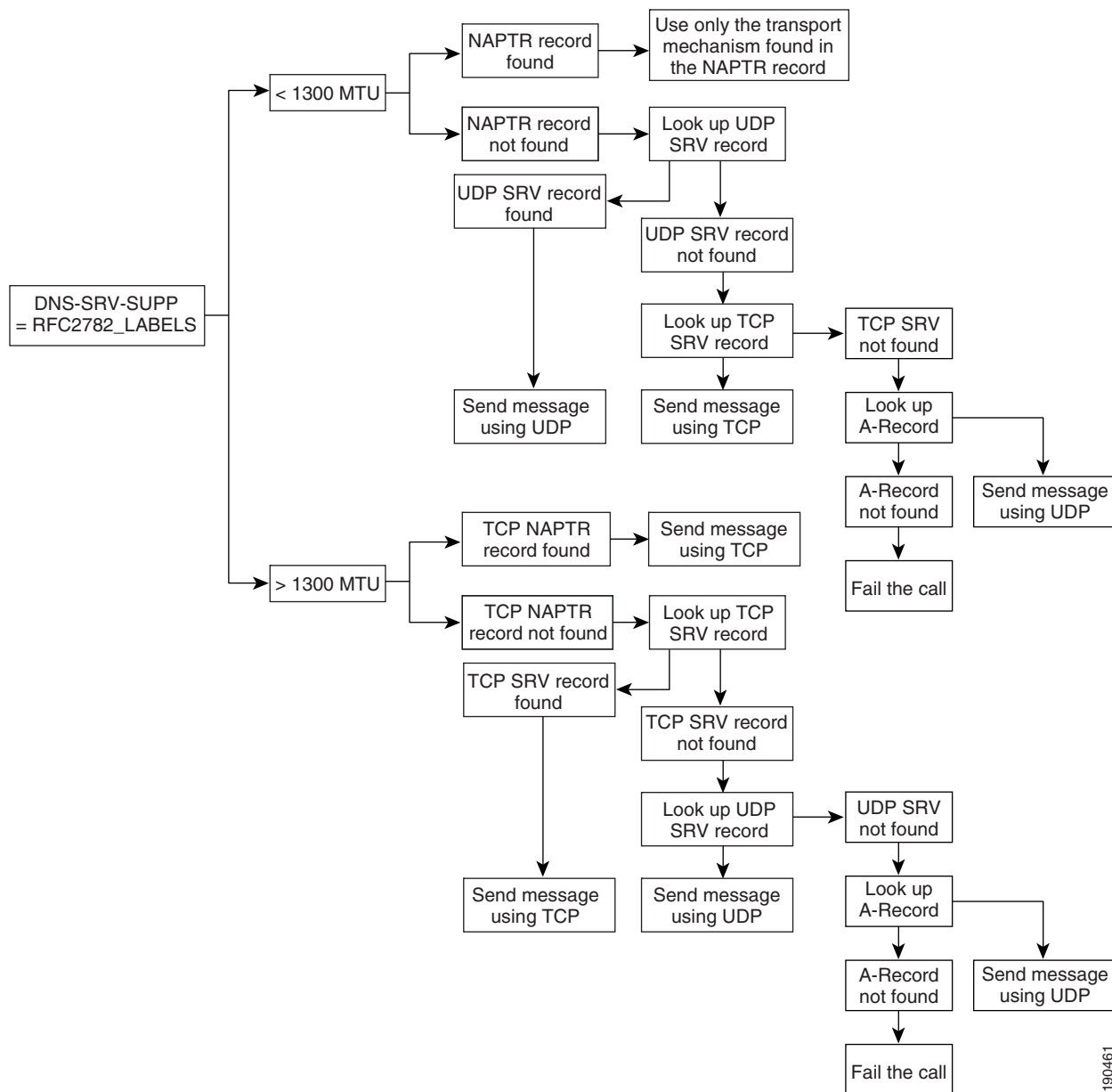
**Note**

To provision NAPTR and SRV support, set the DNS-SRV-SUPP field in the sip-element table to RFC2782_LABELS, and provision the element ID as a NAPTR or SRV name.

The NAPTR lookup procedure depends on the size of the message compared to the path maximum transmission unit (MTU) size stated in RFC 3261 and RFC 3263 (typically 1300 bytes). The implementation in the Cisco BTS 10200 Softswitch is based on the SIP Working Group Document Issue 760 (http://bugs.sipit.net/show_bug.cgi?id=760). That document provides guidance regarding the conflicting directives between RFC 3261 and RFC 3263 when a message size exceeds the MTU limit and NAPTR lookups are involved. The system processes the lookup as described in this section.

[Figure 3-1](#) shows the transport selection procedure for sending SIP requests based on NAPTR and SRV records, that is, when the value of the DNS-SRV-SUPP token is provisioned as RFC 2782_LABELS.

Figure 3-1 Transport Selection for Sending SIP Requests Based on NAPTR and SRV



Following is an explanation of the logic shown in Figure 3-1.

- If the message size is less than the path MTU limit (1300 bytes), the sequence is as follows:
 - a. The system looks up a NAPTR record, and chooses a transport protocol based on the priority of the NAPTR record. Only that chosen transport protocol is used to route the message, and servers associated with other protocols are not contacted.
 - b. If no NAPTR record is found, the system performs a best-effort lookup by assuming that an SRV record exists that has the same name as the NAPTR record. The procedure continues as follows:
 - A UDP SRV record is looked up first, using the `_sip._udp` prefix. If it is resolved, the servers on the resulting list are contacted and the UDP transport is used to send the message.

- If no UDP SRV record is found, a TCP SRV record is searched, using the `_sip._tcp` prefix. If it is resolved, the servers on the resulting list are contacted and TCP transport is used to send the message.
- If the message size is greater than the path MTU limit (1300 bytes), the sequence is as follows:
 - a. The system performs a NAPTR lookup for records supporting TCP transport only. The resulting query string from the NAPTR lookup is used to perform an SRV lookup. If it is resolved, the servers on the resulting list are contacted and TCP transport is used to send the message.
 - b. If no NAPTR record is found, the system performs a best-effort lookup by assuming that an SRV record exists. the procedure continues as follows:
 - A locally generated query string is used to query SRV records, using TCP as preferred transport and the `_sip._tcp` prefix. If such a record is found, servers on the resulting list are contacted and TCP transport is used to send the message.
 - If no TCP SRV record is found, a UDP SRV record for the same TSAP address (prefixed with `_sip._udp`) is searched. If such a record is found, all servers on the resulting list are contacted and UDP transport is used to send the message.

The following details apply to all DNS queries described previously:

- The above procedure (selecting only a single transport) applies only to NAPTR or SRV provisioning, that is, when the following are both true:
 - The SIP trunk profile is provisioned with SRV support enabled.
 - The TSAP address is provisioned with either a NAPTR or SRV name.
- After the system selects a transport type, only that type is used for signaling. If the chosen transport does not work, the system does not attempt any other transport mechanism, and the call fails.
- If the NAPTR and SRV queries fail, the system attempts a best-effort A-record query and uses UDP to send the message.



Tip

These steps add overhead to the process of resolving an address. Therefore, SRV should be enabled only if the benefits of the address resolution procedure are required. As an alternative, you can consider using “SIP Server Groups” section on page 3-50, an efficient solution that does not involve a DNS query.

Traversing the SRV List for Failure Responses and Retransmission Timeouts

This section describes how the BTS 10200 traverses the SRV list.

- 503 Response—When the BTS 10200 receives a 503 response (service unavailable) from the server in the SRV list that was last attempted, it resubmits the same request as a new transaction (with a new branch ID) to the next IP address in the SRV list.
- Retransmission timer expires—If an SRV server receiving the INVITE does not respond within the retransmission timer period, the BTS 10200 can send the next retransmission of the same request to the same server (as recommended in RFC 3263), or to the next server in the SRV list (legacy BTS 10200 behavior). This is controlled using a provisionable flag, `DNS_SRV_ADV_ON_RETRANS_TIMEOUT`, on the sip-element table.
 - If `DNS_SRV_ADV_ON_RETRANS_TIMEOUT` is set to N, all retransmissions of a message are exhausted sending to a single address before attempting to send to the next address. Keep in mind that some calls might not complete if one of the nodes in an SRV list returns a 503 message, even though other nodes in the list are capable of handling the request successfully.

- If the flag is set to Y (the default value), the system retransmits the same request as a new transaction (with a new branch ID) to the next IP address in the SRV list.

A-Record DNS Queries for Outgoing Messages

The system can use A-record DNS queries to locate SIP servers. The system selects the DNS query and the transport mechanism based on the value of the DNS-SRV-SUPP field in the sip-element table. If this field is set to NONE, the transport is selected based on the NON-SRV-TRANSPORT field of the SIP-ELEMENT table. Possible values for this field are as follows:

- UDP (default)—If the message size is less than 1300 bytes as described in RFC 3261 and RFC 3263, the system uses UDP. If the message size is greater than 1300 bytes, the system uses TCP; however, if TCP fails, the system attempts to use UDP.
- UDP-ONLY—The initial outbound request uses UDP regardless of the message size. However, the transport used for subsequent outbound requests is based on the negotiated transport type exchanged in the Contact header during dialog establishment.
- TCP—Use TCP only.



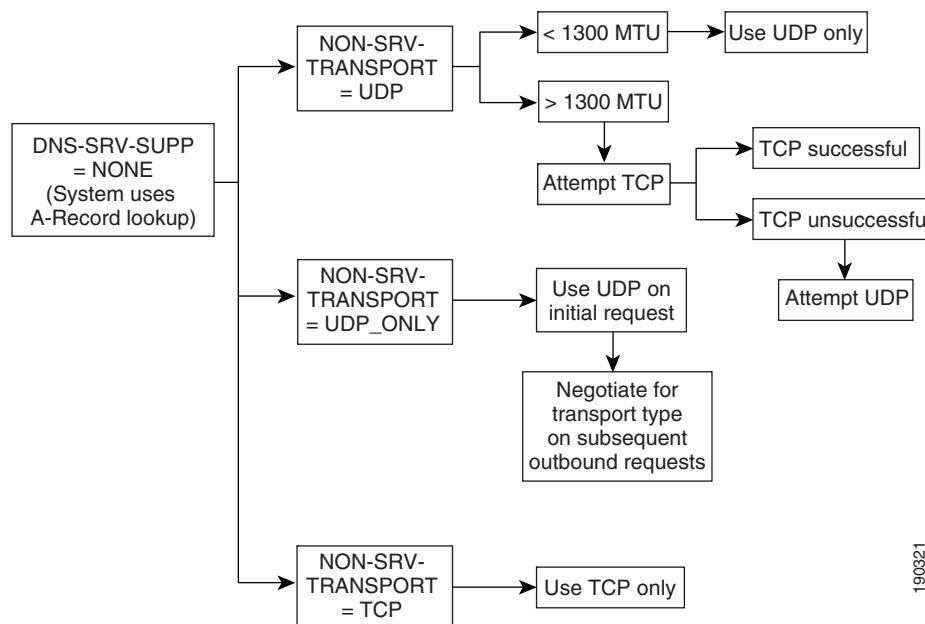
Note

If the value of DNS-SRV-SUPP is set to RFC 2782_LABELS, the system ignores the NON-SRV-TRANSPORT field.

When performing an A-record DNS query, the system tries each IP address to which the FQDN resolves, (in succession) when there is a failure to communicate with the destination SIP endpoint. The system does this for both UDP and TCP transport mechanisms.

Figure 3-2 shows the transport selection procedure for sending SIP requests based on A-Record queries, that is, when the value of the DNS-SRV-SUPP token is provisioned as NONE.

Figure 3-2 Transport Selection for Sending SIP Requests Based on A-Record Lookup



190321

Provisioning Commands

This section explains how to provision the system to locate SIP servers through NAPTR and SRV DNS queries, and through A-Record DNS queries.

Provisioning the System to Use NAPTR and SRV DNS Queries

Follow these steps to provision the system to use NAPTR and SRV DNS queries.

Step 1 Enable NAPTR and SRV DNS queries.

```
change sip-element tsap-addr=<TSAP address, such as host.server.com>;  
dns-srv-supp=RFC2782_LABELS;
```

Step 2 Provision the TSAP address in the trunk group for the SIP server.

```
change trunk_grp id=<trunk group id>; softsw_tsap_addr=<see the following list of values>;
```

- NAPTR name
- SRV name

The use of either NAPTR or SRV names requires correctly configured DNS servers. We recommend the following options when you are provisioning NAPTR and SRV in the DNS servers:

- When you are using SRV, if a host name is provisioned in the TSAP address, include a port. This allows the application to identify the address as a host name and skip NAPTR and SRV queries.
- If an SRV name is required, provision NAPTR entries to provide SRV replacement strings instead of waiting for a failure on the NAPTR query to make an SRV query.

Provisioning the System to Use A-Record DNS Queries

Follow these steps to provision the system to use A-record DNS queries.

Step 1 Verify that NAPTR and SRV DNS queries are disabled. If necessary, disable NAPTR and SRV DNS queries.

```
show sip-element tsap-addr=<TSAP address, such as host.server.com>;
```



Note Read the system response to verify that dns-srv-supp is set to NONE (this is the default value).

If it is not already set to NONE, use the following command:

```
change sip-element tsap-addr=<TSAP address, such as host.server.com>; dns_srv_supp=NONE;
```

Step 2 Provision the transport type.

```
change sip-element tsap-addr=<TSAP address, such as host.server.com>;  
non-srv-transport=<see the following list of values>;
```

- UDP (default)—If the message size is less than 1300 bytes as described in RFC 3261 and RFC 3263, the system uses UDP. If the message size is greater than 1300 bytes, the system uses TCP; however, if TCP fails, the system attempts to use UDP.

- UDP-ONLY—The initial outbound request uses UDP regardless of the message size. However, the transport used for subsequent outbound requests is based on the negotiated transport type exchanged in the Contact header during dialog establishment.
- TCP—Use TCP only.

Step 3 Provision the TSAP address in the trunk group for the SIP server.

```
change trunk-grp id=<trunk group id>; softsw_tsap_addr=<see the following list of values>;
```

The value of softsw_tsap_addr must match the tsap_addr that is provisioned for an existing sip_element or sip_server_grp. Any one of the following can be provisioned for softsw-tsap-addr:

- Host name
- Host name and port
- IP address
- IP address and port



Note

The use of host names requires correctly configured DNS servers.

Reliable Provisional Responses

SIP defines two types of responses, provisional and final. Final responses convey the result of the request processing and are sent reliably. Provisional responses provide progress information about the request processing but are not sent reliably in the base SIP protocol. The reliable provisional responses feature provides end-to-end reliability of provisional responses across BTS 10200 SIP trunks.

Signaling for Reliable Provisionable Responses

Provisional responses in SIP telephony calls represent backward alerting and progress signaling messages, which are important for interoperability with the public switched telephone network (PSTN). Therefore, for SIP-T calls on the Cisco BTS 10200, reliable provisional responses are mandatory. They are optional for regular SIP calls.

Cisco BTS 10200 support for this feature follows the specifications described in RFC 3262. A provisioning flag is provided to enable or disable this feature, and the feature is disabled by default. For SIP trunks provisioned as SIP-T trunk type, the system internally ignores the flag and always enables the feature. In such cases, the feature is mandatory. Therefore, the ability to enable or disable the feature applies to regular SIP trunks only. There is one exception: SIP-T trunks receiving SIP-T calls (calls with ISDN user part (ISUP) attachments) can also receive incoming regular SIP calls. In this case, the feature (enabled or disabled) for the regular SIP call is determined by the provisioning flag on that SIP-T trunk.

The provisioning flag (PRACK-FLAG) is a parameter in the softsw-tg-profile table. For provisioning details, see the [“Provisioning Procedure for Reliable Provisional Responses”](#) section on page 3-11.

For calls received on a BTS 10200 regular SIP trunk, or regular SIP (non-SIP-T) calls received on a SIP-T trunk, the following feature behavior applies:

- If the received INVITE indicates this feature is required, all provisional responses are sent reliably, regardless of the provisioned feature setting on the trunk.

- If the received INVITE indicates this feature is supported, all provisional responses are sent reliably if the feature is enabled on the trunk.
- If the received INVITE indicates the feature is not supported, the call is refused if the feature is enabled on the trunk.
- If the received INVITE indicates the feature is not supported, the call is accepted if the feature is disabled on the trunk. Provisional responses are not sent reliably.

For calls sent out a Cisco BTS 10200 regular SIP trunk, the following feature behavior applies:

- If the feature is enabled on the trunk, the SIP INVITE message sent contains a Required header with a tag value of 100rel.
- If the feature is enabled on the trunk and the remote endpoint supports or requires the feature, all provisional responses are sent reliably to the BTS 10200.
- If the feature is enabled on the trunk, and the remote endpoint does not support the feature, the remote endpoint refuses the call.
- If the feature is disabled on the trunk, the SIP INVITE message that is sent contains a Supported header with a tag value of 100rel.
- If the feature is disabled on the trunk and the remote endpoint supports the feature, the remote endpoint controls which provisional response sent requires reliability.
- If the feature is disabled on the trunk and the remote endpoint does not support the feature, provisional responses are not received reliably.

For SIP-T calls received on a BTS 10200 SIP trunk provisioned as SIP-T, the following feature behavior applies:

- If the received INVITE indicates this feature is required or supported, all provisional responses are sent reliably.
- If the received INVITE indicates the feature is not supported, the call is refused.

For all calls sent out a BTS 10200 SIP trunk provisioned as SIP-T, the following feature behavior applies:

- The SIP-T INVITE message sent contains a Required header with a tag value of 100rel.
- If the remote endpoint supports or requires the feature, all provisional responses are sent reliably to the BTS 10200.
- If the remote endpoint does not support the feature, the remote endpoint refuses the call.

Provisioning Procedure for Reliable Provisional Responses

The following commands control the Reliable Provisional Response feature for regular SIP calls on all trunks associated with the SIP trunk profile <profile_id>.

Step 1 The default for making reliable provisional responses not required for regular SIP calls sent or received over a SIP trunk is

```
change softsw-tg-profile id=<profile_id>; prack-flag=N;
```

Step 2 To make reliable provisional responses required for regular SIP calls sent or received over a SIP trunk, use the following command:

```
change softsw-tg-profile id=<profile_id>; prack-flag=Y;
```

**Note**

When reliable provisional responses are not required, the BTS 10200 does not make them required on remote SIP entities. However, the reliable provisional responses might still occur if a remote SIP entity requires it of the BTS 10200.

The `prack-flag` parameter applies only to SIP calls on regular SIP trunks, and regular SIP calls received on SIP-T provisioned trunks.

Provisioning Session Timers for SIP Trunks

Use the commands in the following procedure to provision session timers for SIP trunks. Session timers can be enabled or disabled for all SIP trunks (switch-wide) or for individual SIP trunks; they are disabled by default.

The session timer values are provisioned through the `MIN-SE` and `SESSION-EXPIRES-DELTA-SECS` tokens in the SIP Timer Profile (`sip-timer-profile`) table. The ID of the `sip-timer-profile` table record is then specified as the value for the `ca-config` record of `Type=sip_timer_profile_id`. The id of the `sip-timer-profile` table can also be associated with a `softsw-tg-profile` record for SIP trunks. If you provision the timer values for a specific trunk, that overrides the `ca-config` default.

**Note**

For a detailed description of session timers, see the [“SIP Session Timers” section on page 4-7](#).

Step 1 Adjust the session timer values in the `sip-timer-profile` table if necessary.

**Note**

The session duration field value is in seconds with a range of 100 to 7200. The minimum session duration field value is in seconds with a range of 100 to 1800.

We recommend a value of at least 1800 for each of these fields.

```
add sip-timer-profile id=<timer_profile_id>; session-expires-delta-secs=7200; min-se=1800;
```

Step 2 Enable session timers on the applicable softswitch trunk group profile, and assign the `sip-timer-profile-id`.

```
add softsw-tg-profile id=<profile_id>; session-timer-allowed=Y;
sip-timer-profile-id=<timer_profile_id>;
```

**Tip**

Session timers are disabled by default (`session-timer-allowed=N`), so you must enable them as shown in [Step 2](#) if you want this capability.

Step 3 Assign a TSAP address in the `sip-element` table:

```
add sip-element tsap-addr=<TSAP address, such as host.server.com>;
```

Step 4 Assign the trunk group (TG); use the same TSAP address as in the applicable `sip-element` table.

```
add trunk-grp id=101; call-agent-id=CA146; tg-type=softsw; dial-plan-id=tg-dp;
tg-profile-id=SIP123PROFILE; softsw-tsap-id=<TSAP address>;
```

- Step 5** For a switch-wide default for SIP trunks (if the trunk is not specifically provisioned), add a default sip-timer-profile-id to the ca-config table as follows:

```
add ca-config type=SIP-TIMER-PROFILE-ID; datatype=string; value=<sip_timer_profile_id>;
```



Tip If you provision the timer values for a specific trunk (by pointing to a sip-timer-profile in the softsw-tg-profile), that overrides the ca-config default.

SIP Timer Values for SIP Trunks



Note This section describes how to provision SIP timer values for SIP trunks. For a comprehensive listing of SIP timers, see [Chapter 4, “SIP System Features.”](#)

SIP timer values are provisioned in the sip-timer-profile table. The ID of the sip-timer-profile table record is then specified as the value for the ca-config record of Type=sip_timer_profile_id. The id of the sip-timer-profile table can also be associated with a softsw-tg-profile record for SIP trunks. If you provision the timer values for a specific trunk, that overrides the ca-config default. The default values are adequate for many installations. If customization is required, then a sip-timer-profile table can be provisioned and associated with all calls, or with calls on specific trunks.

The following steps provision the SIP timer values.

- Step 1** Adjust the session timer values in the sip-timer-profile table if necessary (example shown).
- ```
add sip-timer-profile id=<timer_profile_id>; timer-t1-milli=500;
```
- Step 2** Enable session timers on the applicable softswitch trunk group profile and assign a sip-timer-profile-id that the system uses for *call processing*.
- ```
add softsw-tg-profile id=<profile_id>; session-timer-allowed=Y;
sip-timer-profile-id=<timer_profile_id>;
```
- Step 3** Assign a TSAP address in the sip-element table. Also assign a sip-timer-profile-id that the system uses for *OPTIONS-based auditing*.
- ```
add sip-element tsap-addr=<TSAP address, such as host.server.com>;
sip-timer-profile-id=<timer_profile_id>;
```
- Step 4** Assign the TG; use the same TSAP address as in the applicable sip-element table.
- ```
add trunk-grp id=101; call-agent-id=CA146; tg-type=softsw; dial-plan-id=tg-dp;
tg-profile-id=SIP123PROFILE; softsw-tsap-id=<TSAP address>;
```
- Step 5** For a switch-wide default for SIP trunks (if the trunk is not specifically provisioned), add a default sip-timer-profile-id to the ca-config table.
- ```
add ca-config type=SIP-TIMER-PROFILE-ID; datatype=string; value=<sip_timer_profile_id>;
```

**Note**


---

If you provision the timer values for a specific trunk (in the `softsw-tg-profile` table), this takes precedence over the switch-wide default value provisioned for `sip-timer-profile-id` in the `ca-config` table.

---

## SIP Route Advance

When a SIP trunk is marked operationally out of service (OOS) by the SIP element audit feature, the system automatically performs a route advance for subsequent calls, provided that there are additional routes provisioned to the called party.

## SIP Status Monitoring and SIP Element Audit

This section describes the status-monitoring process and two types of SIP audits performed by the BTS 10200. It includes the following topics:

- [Status Monitoring of SIP Elements, page 3-14](#)
- [Internal SIP Audit, page 3-19](#)
- [SIP Element Audit, page 3-20](#)

### Status Monitoring of SIP Elements

Status monitoring is a feature of the SIP element that can be enabled or disabled on the element by provisioning the `STATUS-MONITORING` flag. When status monitoring is enabled (which is the default), the SIP element sends out `SIP OPTIONS` requests using the SIP element during quiet times (no SIP message activity on element) to check the operational status of the associated remote SIP endpoint.

The status monitoring feature of the SIP element is independent of the server groups feature. The status monitoring feature functions the same for a SIP element regardless of whether the element is provisioned under a server group, under a SIP trunk, under both, or neither.

[Figure 3-3](#) shows the SIP element state diagram. It illustrates the SIP element states when the `STATUS-MONITORING` flag is enabled or disabled.

**Note**


---

Status Monitoring of SIP elements is possible only when the TSAP address on the element is *not* provisioned to be SRV. The system does not maintain the dynamic status of SRV trunks or elements.

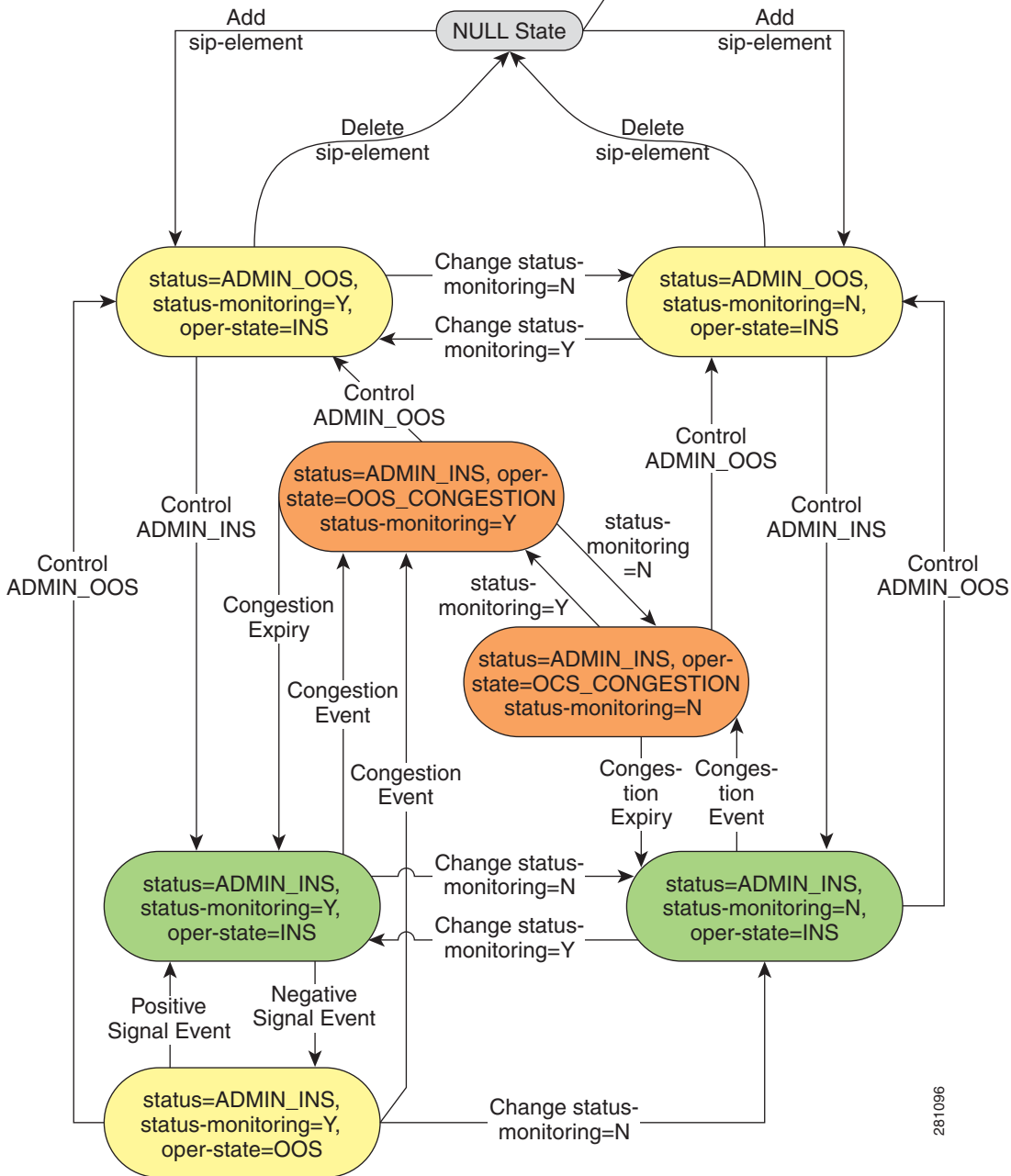
---

### Status Monitoring Functions

We recommend that you leave status monitoring enabled on SIP elements used in server groups. This allows a SIP element to be placed operationally OOS on a SIP transaction timeout. In this case, subsequent SIP transactions and SIP calls avoid choosing this SIP element until the audit mechanism restores the element back into service. See [Figure 3-3 on page 3-15](#) for details on the SIP element state when the `STATUS-MONITORING` flag is enabled (set to Y).

Figure 3-3 SIP Element States

A Negative signaling event includes socket failures in software or a timeout at the SIP layer. A Positive event is a reception of a message at the SIP layer. A Congestion event is a SIP message indication that the element is congested. A Retry-After message header advises the BTS 10200 to avoid communication for some number of seconds.



If status monitoring is disabled on a SIP element, the SIP element operational state will not be placed operationally OOS due to a SIP request (sent) timeout (see [Figure 3-3](#)). If a SIP element is previously operationally OOS when status monitoring is disabled, the operational state is forced automatically in service (INS). The 162 alarm for this SIP element is cleared.

If the SIP element is operational INS with status monitoring disabled when a SIP request timeout occurred, the SIP element remains operational INS. The 162 alarm is not raised. Although the SIP element remains in service, the SIP element is marked unavailable for the current SIP transaction and another SIP element is chosen if possible. Subsequent SIP transactions and calls may continue to select this SIP element. This may result in SIP messages and retransmissions towards this SIP endpoint.

The SIP element operational state of OOS due to transient congestion (indicated by a response with a Retry-After duration) is unaffected by the status monitoring feature (see [Figure 3-3](#)). In this case, the SIP element will be set operational OOS for the specified duration of the transient congestion and return back in service once the duration is complete regardless of the status monitoring feature setting. The 162 alarm will be cleared once the duration has ended.

When the administration state of the SIP element is OOS, the status monitoring feature is internally forced disabled regardless of the provisioning for the feature. The feature is controlled by the provisioned setting when the administration state of the SIP element is INS. When the SIP element is initially provisioned with default values, the administration state is OOS. Once placed into service, the status monitoring feature will automatically enable and OPTIONS messages may be sent since the default for status monitoring is enabled. If the administrator switched the administrative state of the SIP element to OOS, it also internally switches status monitoring to disabled (if enabled), and the behavior of this switch is the same as described previously in this section. Only the SIP element administration state changes can affect the status monitoring feature. Trunk group and Server group administration state changes do not affect the status monitoring feature provisioned setting.

## Using the Status and Control Commands



### Note

---

All of the IP addresses used in this document are examples, and are used for illustration purposes only.

---

### Status Commands

Enter the following CLI command to display the status of a SIP element:

```
status sip-element tsap-addr=10.10.10.1;
```

The following examples illustrate the system responses to this command:

- If the SIP element is operationally INS:
 

```
SIP Element TSAP Addr : 10.10.10.1
Oper Status : INS
```
- If the SIP element is operationally OOS, that is, a SIP request sent through this SIP element occurred a timeout:
 

```
SIP Element TSAP Addr : 10.10.10.1
Oper Status : OOS
```
- The SIP element is operationally OOS. A SIP request was sent through this SIP element and a response was received with a Retry-After header containing a duration value. The SIP element is currently OOS for this duration. The timestamp indicates what time the SIP element will return into service.



SIP Element TSAP Addr : 10.10.10.1

Oper Status : OOS (Congested until 2006-04-05 12:05:32)

## Control Commands

Enter the following CLI commands to control the administrative state of a SIP element of SIP SG:

```
control sip-element tsap-addr=10.10.10.1; target-state=<INS | OOS>;
```

```
control sip-server-group id=PROXY-FARM; target-state=<INS | OOS>;
```

When a server group is set administratively OOS, this server group and all SIP elements linked to it are not available for use even if these SIP elements are administratively and/or operationally INS. If a SIP element that is INS is linked under two different server groups, and one server group is administratively OOS, the SIP element is still available for use by the server group that is INS.

An administrator may wish to set just an individual SIP element administratively OOS. When this is set, the SIP element is not available for use under any server group it is linked to. When a server group is selected to send a SIP message, SIP elements in the server group are available for selection except those that are administratively or operationally OOS.

Switching a server group or SIP element administrative state from INS to OOS is handled as a graceful shutdown. This means that current SIP calls remain active until they clear on their own. The BTS 10200 continues to send in-dialog requests such as re-INVITE and BYE and response retransmissions. Subsequent SIP calls using server groups will not have these server groups or SIP elements available for selection. If these elements are the only ones possible for selection, the call is failed towards the originator.

When the administrative state of a SIP element is set OOS, it gracefully stops SIP call traffic sent from the BTS 10200 SIP interface towards the associated remote SIP endpoint. However, this also forces status monitoring to be internally disabled for that SIP element. This will immediately stop the issue of any SIP OPTIONS requests from the BTS 10200 SIP interface if the status monitoring feature was provisioned enabled.

## Troubleshooting with Alarm Reports

Use the information in this section to help with troubleshooting procedures.

The specific fields for each signaling event and alarm are listed in the [Cisco BTS 10200 Softswitch Troubleshooting Guide](#).

### Signaling Alarm 162

The signaling alarm 162 is raised when a SIP element goes operationally OOS. The alarm is cleared when the SIP element goes operationally back INS. The SIP element goes OOS for one of two reasons:

- A SIP request sent using this element incurred a retransmission timeout.
- A SIP request sent using this element returned a SIP response with a Retry-After header indicating transient congestion for a given duration.

Alarm information contains the identification of the SIP element (the TSAP address field), and the reason why it is operationally OOS, either because of timeout or transient congestion.

The operational state and administrative state of a SIP element operate independently of each other. While the SIP trunk administrative state is OOS, the 162 alarm is never raised on this element regardless of operational state. The alarm might clear while its administrative state is OOS.

## Signaling Alarm 142

The signaling alarm 142 is raised when a SIP trunk group goes operationally OOS. The alarm is cleared when the SIP trunk group goes operationally back INS.

If the SIP trunk group is provisioned with a single SIP element in the TSAP-ADDR address field, the SIP trunk operational state will follow the SIP element operational state. If a SIP trunk is provisioned with a server group, all SIP elements in that server group (and in subgroups of this group) must all be operationally OOS for the 142 alarm to be issued for the trunk. If at least one SIP element in the server group (or subgroups) becomes operationally INS, the 142 alarm is cleared.

Alarm information contains the identifier of the SIP element or server group provisioned for the trunk.

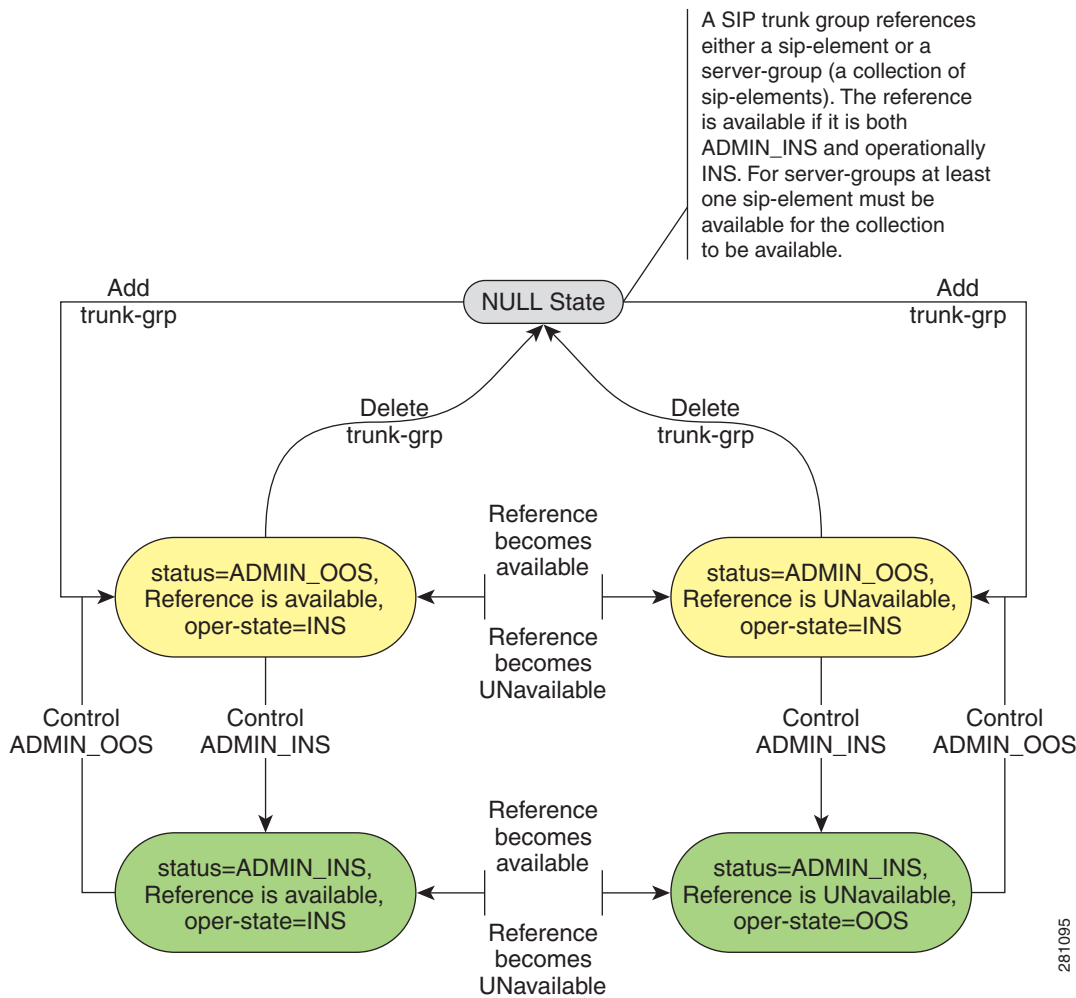
The operational state and administrative state of a SIP trunk group operate independently of each other. While the SIP trunk administrative state is OOS, the 142 alarm is never raised on this trunk regardless of operational state. The alarm might clear while its administrative state is OOS.

## SIP Trunk Group States

A SIP trunk group references either a SIP element or a server-group (collection of SIP elements). A reference for a SIP trunk group is said to be available, if the SIP trunk group is both administratively and operationally INS.

When a SIP trunk group is initially added, the administrative status is OOS. Once the references become available, the operational state becomes INS (see [Figure 3-4](#)). You can control the administrative status of the trunk group, once the operational state becomes INS. If the references are not available, due to a negative event in one of the SIP elements of the trunk group, the operational state remains in OOS. For server-groups, at least one SIP element must be available for the collection to be available.

Figure 3-4 SIP Trunk Group States



## Internal SIP Audit

The internal audits check the resources for call processing and call registration, and help to maintain those resources. There are two types of auditing:

- **Periodic audit (hourly)**—If a call is connected to a remote endpoint (such as a trunk) and terminates abnormally, or if call connectivity is lost, the BTS 10200 recovers the resources on a periodic basis (approximately every 1 to 2 hours) by running an audit. During the audit, if no signaling has occurred on a call for more than an hour, the system checks the liveness of the call by sending a re-INVITE or an UPDATE message to the SIP parties in the call.
- **Scheduled audit (daily)**—The scheduled audit runs daily, and checks any contacts registered with SIP subscribers to ensure that they have been refreshed. The SIP phone subscriber registry is expected to refresh regularly; however, if it is not, the BTS 10200 runs a scheduled audit once a day to reclaim stale resources associated with those registrations.



### Note

The feature requires no provisioning; use the audit default values. If you do want to change the values, consult with your Cisco representative before doing so.

## SIP Element Audit

The SIP element audit mechanism verifies an element's operational status on a periodic basis. The audit mechanism is also triggered if communication problems are detected for the element.

The feature is enabled through the `STATUS-MONITORING` parameter in the sip-element table. The number of failures needed to classify an element as operationally OOS is configured through the `AUDIT-THRESHOLD` parameter in the sip-element table, and the quiet interval before an audit is launched is controlled by the `TRUNK-AUDIT-INTERVAL` in the ca-config table.

When not explicitly configured, the default values are as follows:

- `STATUS-MONITORING` flag (Y)
- `AUDIT-THRESHOLD` (3)
- `TRUNK-AUDIT-INTERVAL` (3 minutes)

The audit mechanism utilizes the SIP protocol. The SIP `OPTIONS` method, with a `Max_Forwards` header value of 1, detects whether a remote SIP end device is reachable. The response that the `OPTIONS` receives from the remote device might be an error message, but as long as a response is received, the element is deemed operationally INS (oper-INS).

An element is deemed operationally in service when any of the following occurs:

1. An initial `INVITE` message is received for the element.
2. A final response is received for an initial `INVITE` request that was sent to the element.
3. A final response is received for a SIP `OPTIONS` message sent to the element.

The item in the previous list restricts messages to initial `INVITE`s because re-`INVITE`s may be sent directly to the BTS 10200 from an endpoint proxied by a trunk. In the second item, unless the trunk endpoint performs a Record-Route, responses to mid-dialog requests are sent directly from the remote user agent client (UAC), when the trunk is playing a proxy role. If the trunk is playing the role of a back-to-back user agent, every response indicates that the trunk is INS. Because the role of the trunk is unknown, the restriction above is applied. In this way, the BTS 10200 monitors the next adjacent hop.

An element is marked operationally OOS (oper-OOS) when any of the following occurs:

1. An `OPTIONS` request sent for the purpose of audit yields no response (assuming the trunk is not provisioned SRV).

In this case, the `OPTIONS` message was transmitted to the hosts that the trunk's TSAP resolved to 11 times in 32 seconds. There are probably only a few hosts, and the message was transmitted more than once to each host, which is enough for the trunk to be considered out of service.

SRV trunks are excluded from this because SRV potentially translates to more than 11 hosts, so a single `OPTIONS` message is not sufficient for the trunk to be considered out of service.

2. A communication failure increments the count of such failures over a provisioned `AUDIT-THRESHOLD` in the sip-element table. Possible communication failures include:
  - A transport-level send failure (over UDP or TCP) for an initial `INVITE`, `CANCEL` of an initial `INVITE`, `ACK` of a failure response to an initial `INVITE`, or an `OPTIONS` sent to audit the element. This includes DNS resolution failures.
  - A timeout on an initial `INVITE`, `CANCEL` of an initial `INVITE`, or `OPTIONS`.
  - No `ACK` received for a failure response sent to an initial `INVITE` that was received.

A SIP trunk's operational state is maintained in the trunk-group record and is based on communication between the BTS 10200 and the trunk. The trunk is monitored only when status-monitoring is enabled, through provisioning, on the sip-element record, and if the trunk is administratively in service.

When status-monitoring is turned on and the trunk is administratively in service, the BTS 10200 sends an OPTIONS message periodically on the trunk if it is operationally out of service, or has had a long quiet period while in service. When status-monitoring is turned off, an operationally out of service trunk is brought back into service only by the reception of a message on the trunk, or by the use of the command line interface (CLI) **control** command to first put it administratively out of service and then put it back administratively in service.

The SIP element audit facilitates the route-advance function of the BTS 10200. When a SIP trunk is marked operationally OOS by the audit feature, a route advance is automatically performed for subsequent calls by the BTS 10200, provided that there are additional routes provisioned to the called party.

## Audit Occurrence

If an element is both administratively INS and STATUS-MONITORING=Y in the sip-element table, an audit occurs under the following conditions:

- A communication error is reported on the trunk; for example, a request out a trunk yields no response, or a final error response to an INVITE sent on the trunk yields no ACK, and the number of failures has reached the provisioned threshold. The provisioned threshold is the AUDIT-THRESHOLD parameter in the sip-element table.
- No communication has occurred on the sip-element for the provisioned TRUNK-AUDIT-INTERVAL, specified in minutes, in the ca-config table.
- A previous audit failed to establish communication with the SIP element in the network.

## Provisioning

When you are provisioning the Trunk Group audit mechanism, we recommend that you provision only the STATUS-MONITORING flag in the sip-element table.

The following fields should be left at the default settings:

- In the sip-element table, AUDIT-THRESHOLD
- In the ca-config table, TRUNK-AUDIT-INTERVAL

## Alarms

The SIGNALLING (142) alarm, SIP Softswitch Trunk Out Of Service, is defined for the SIP element audit feature. The alarm is issued for one of two reasons:

- The Cisco BTS 10200 is unable to communicate with a remote SIP party (Call-Agent or Proxy) over a SIP or SIP-T trunk.
- A remote SIP party is not operational.

When the alarm is issued for the first reason and the TSAP address of the remote entity is a domain name, the BTS 10200 verifies that the DNS resolution exists. The BTS 10200 verifies that the remote entity is reachable by Internet Control Message Protocol (ICMP) ping, using the Trunk TSAP address from the event report.

If the same alarm is reported on all Softswitch trunk groups, the BTS 10200 verifies that the network connection is operational.

If the remote SIP party is not operational and the ping is not successful, the BTS 10200 diagnoses the issue that prevents the TSAP address from being reached. It then verifies that the SIP application is running on the remote host and listening on the port specified in the TSAP address.

For a full list of events and alarms, see the *Cisco BTS 10200 Softswitch Troubleshooting Guide*.

## OPTIONS Message

The following example shows a SIP OPTIONS message sent out to audit the liveness of a SIP trunk.

```
OPTIONS sip: vmserver.globalsys.net:11617 SIP/2.0
Via: SIP/2.0/UDP prica20:15000;branch=z9hG4bK_av617_7801
From: <sip:prica20>;tag=1_av617_f11_3429
To: <sip:vmserver.globalsys.net>
Call-ID: 1726021128@prica20
CSeq: 1 OPTIONS
Max-Forwards: 1
Supported: 100rel,precondition,timer
Contact: <sip:prica20:15000>
Content-Length: 0
```

## SIP Triggers

The SIP Triggers feature uses the SIP protocol, with some extensions, to enable the BTS 10200 to provide services from third-party application servers. The triggers can be used by these servers to provide originating services (such as TV caller ID, custom ringback, and voice dial) when a subscriber places a call, and enriched terminating services when a subscriber receives a call.



### Note

---

SIP triggers are provided for termination attempts to SIP subscribers when the incoming call is based on a directory number (DN).

---

For information on this feature, including limitations, see the following sections:

- For a description of the basic SIP triggers feature, see the “[SIP Triggers](#)” section in the *Cisco BTS 10200 Softswitch Network and Subscriber Feature Descriptions* document.
- For general SIP trigger provisioning details, see the “[SIP Triggers](#)” section in the *Cisco BTS 10200 Softswitch Provisioning Guide*.

## Call Redirection

The Call Redirection feature allows a remote SIP endpoint receiving a call from the BTS 10200 to reroute the call at the BTS 10200, using one or more destinations provided by the endpoint. It also supports load sharing and redundancy solutions used by other switches or applications interworking with the BTS 10200 using SIP. These solutions typically involve a front-end SIP network management server that manages load sharing and redundancy for back-end servers.

## Call Redirection Process

The BTS 10200 honors the redirection (SIP 300 class) response to a SIP INVITE call request and redirects the call using the specifications outlined in RFC 3261.

When a redirection response is received with multiple contacts, multiple redirections are attempted in series in the order the contacts were received. This includes contacts received in subsequent redirection responses, in which case the contacts are appended to the serial list of redirections being attempted.

The BTS 10200 requires that redirection contacts have a SIP uniform resource identifier (URI) format. The user information field of the SIP URI must be present and must contain a phone number and a host name. The following example illustrates the SIP URI format:

```
sip:2125553333@phone.cisco.com
```

Call redirection is not supported on SIP trunks provisioned with a business group. The BTS 10200 does not support an incoming 300 class response from a local BTS 10200 SIP subscriber.

Call redirection is not supported if the call is committed, that is, if the termination is alerting and media have been exchanged. See the [“Support for Sending 302 on Call Forwarding” section on page 3-24](#).

When the BTS 10200 selects a contact from the 300 class redirection response to perform a call redirection, it decides how the redirection is done based on the number and host name in the contact’s SIP URI.

- If the host name is the same as the configured SIP contact, the BTS 10200 routes the call using the number in the user portion of the redirected contact URI.
- If this number also matches the called number in the redirected INVITE, the BTS 10200 routes by advancing to the next trunk in the provisioned route set of the originating trunk. This is called “route advance.”
- If this number does not match the previously called number, the BTS 10200 determines the next trunk to send the call out by performing routing on the new number based on the dial plan of the terminating trunk. This is called a “reroute.”



**Note** A provisionable parameter (SIP\_3XX-REROUTE\_ON\_LOCAL\_DOMAIN in the ca-config table) allows the service provider to force the system to use the reroute method regardless of whether the redirect number matches the number in the initial INVITE. This parameter affects all SIP trunks on the switch.

- If the host name field of the redirection contact selected for call redirection matches the provisioned TSAP address of a provisioned BTS 10200 SIP trunk, the BTS 10200 redirects the call out this trunk without going through the BTS 10200 routing system. The number in the contact is set as the called party number in the Request URI of the redirected INVITE.
- If the host name field does not match the SIP contact of the BTS 10200 or the TSAP address of any of the provisioned SIP trunks, the call is redirected toward the host identified in the contact URI. This contact URI is used as the request URI for the redirected call. The redirected call uses the properties of the SIP trunk in the previous call attempt, and the call does not go through the BTS 10200 routing system. However, if the profile of this SIP trunk restricts redirection to contacts having host names matching only SIP trunks or BTS 10200 contact, redirection is not performed for this contact. This restriction is the default.
- If the diversion feature is enabled for the BTS 10200 SIP trunk selected for call redirection, and the last redirection response received contained diversion headers, these headers are populated in the newly redirected call.

## Call Redirection Provisioning

The following command controls the call redirection on all trunks associated with a specified SIP trunk group:

```
add softsw-tg-profile id=<profile_id>; redirect-supported=<see following list of values>;
```

The allowed values for `redirect-supported` are as follows:

- `valid-domains-only` (default)—The trunk accepts redirection contacts only with host names of the BTS 10200 SIP contact, or the TSAP address of any provisioned SIP trunk.
- `all-domains`—The trunk accepts redirection contacts with any host name. A contact URI is used as the request URI for the redirected call. The redirected call uses the properties of the SIP trunk in the previous call attempt.
- `none`—Disables call redirection.

The parameters in the following steps are provisioned through the `ca-config` table, and affect all SIP trunks on the switch. Details for all of the `ca-config` table are provided in the [Cisco BTS 10200 Softswitch CLI Database](#). We recommend that you leave these `ca-config` values at their default values unless you experience problems with the call redirection feature in your network. In that case, contact Cisco TAC to discuss the values to provision for these parameters.



### Caution

Provisioning changes in the `ca-config` table do not take effect until the platform switches over or restarts.

- Step 1** Change the upper limit on the number of 300 class redirection responses the BTS 10200 accepts while performing redirection on any given call attempt; the default is 1.

```
add ca-config type=MAX-3XX-COUNT; datatype=INTEGER; value=2;
```

- Step 2** If necessary, set the 3XX reroute parameter for call redirection.

```
add ca-config type=SIP-3XX-REROUTE-ON-LOCAL-DOMAIN; datatype=BOOLEAN; value=<see the following list>;
```

- `N` (default)—Does not force the use of reroute. The system performs route advance when the redirection number is the same as the number in the original INVITE.
- `Y`—Forces the system to perform fresh routing (reroute) using the dial plan of the terminating trunk regardless of whether the redirect number matches the number in the initial INVITE.

## Support for Sending 302 on Call Forwarding

The system supports sending the 302 message on call forwarding as described in this section. The SIP response code 302 requests that a call be redirected to a new IP address/phone number.

### Sending 302 Feature Description

The following limitations apply to the Sending 302 feature:

- Sending 302 is supported only for Call Forwarding No Answer (CFNA) on SIP trunks.



- CFNA sends 302 if it is the first call forwarding feature invoked after the call is received.
- Relaying SIP 302 is not supported.
- 302 tandeming through the BTS 10200 is supported on a limited basis—If both the originating and terminating sides are trunks, the call scenario is CFNA, the terminating side has `recv_3xx_use_cf_method` set to Y (yes) in the `softsw_tg_profile` table, and the originating side has `send_302_on_cf` set to Y, the 302 is passed through.
- Receiving 302 from SIP subscribers is not supported; sending 302 to local SIP subscribers is not supported.
- When it receives multiple contact lists in the 302 message; the BTS 10200 uses the first and ignores the rest.
- When the BTS 10200 forwards an INVITE out a SIP trunk, it forwards only the original called number (OCN) and redirecting number (RDN). It drops the in-between or middle-hop diversion headers.
- The system sends 302 diversion headers (if enabled) for OCN and RDN only.

For the BTS 10200 to properly route the call, the 302 must have the following:

- Contact header URL with the host name of the local BTS 10200 SIP interface
- IP address/phone number different than the one initially entered by the calling party

The BTS performs SIP 302 redirection on its POTS Feature Server (FS) as several call forwarding features. When the BTS is the originating switch and it receives a 302, it takes one of the following actions:

- Reroutes the call using a network-based reroute mechanism
- Uses one of its call forwarding mechanisms (BTS default)

BTS implements SIP 302 as the Call Forward Redirection (CFR) feature. CFR does the following:

- Looks for the cause code and redirected number passed from the BTS CA
- Instructs the BTS CA to forward the call

The system provides billing and traffic data for the following call forwarding features on the BTS:

- CFNA
- Call Forwarding Combined (CFC) when the called party does not answer
- Voice Mail (VM) when the called party does not answer

## SIP 302 Provisioning

This section explains how to provision SIP 302 and call redirection support on the BTS 10200.

- 
- Step 1** Add CFR:
- ```
add/change feature fname=CFR; tdp1=T_EXCEPTION; tid1=CFR_TRIGGER; ttype1=R;
feature-server-id=FSPTC325; description=call forward redirection; grp-feature=N;
```
- Step 2** Assign CFR to service and trunk groups:
- ```
add service; id=cfr; fname1=CFR;

change trunk-grp-service-profile; tgn-id=<SIP trunk group id>; service-id=cfr;
```
- Step 3** Allow CFR routing on SIP trunks:

```
change softsw-tg-profile id=10; protocol-type=SIP; redirect-supported=VALID_DOMAINS_ONLY;
```

**Step 4** Update call forwarding features to allow 302:

```
change feature-config fname=CFNA; type=SIP_302_SUPP; datatype=STRING; value=Y;
```

```
change feature-config fname=CFC; type=SIP_302_SUPP; datatype=STRING; value=NOANSWER
```

```
change feature-config fname=VM; type=SIP_302_SUPP; datatype=STRING; value=NOANSWER
```

**Step 5** Update outgoing SIP trunks to allow 302:

```
change softsw-tg-profile ID=tb11_sip_1; send-302-on-cf=Y;
```

```
send-3xx-domain-name=arbitraryRedirectServer.domain.com;
```



**Note**

The send-3xx-domain-name field is applicable only if send-302-on-cf is set to Y and CFNA is locally invoked and configured to send a 3XX SIP response. In this case, this field is used to apply the domain name in the contact header in the sending 3XX response. This field is not applicable if this BTS proxies a received 3XX response. In that case, the domain name in the contact of the 3XX received is preserved. If the send-3xx-domain-name field is not provisioned, the BTS 10200 sends its own domain name.

## Diversion Indication for SIP Trunks

SIP Diversion headers provide supplemental forwarding information to the SIP entity receiving the call. The SIP entity uses this information to identify the party from whom the call was diverted, and to determine why the call was diverted. The header also provides information for each diversion if multiple forwardings occurred.

Forwarding information allows applications such as SIP voice-mail servers to access the mailbox of the original called party for proper outgoing greeting and message deposit when a forwarded call is received. Billing systems also use the information to determine the charged party of the call when it is the last forwarding party that is billed.

### Signaling for Diversion Indication

The BTS 10200 supports this feature following the specifications described in the IETF draft draft-levy-sip-diversion-02.txt, *Diversion Indication in SIP*. For incoming calls, the BTS 10200 uses the party number information from the top-most and bottom-most diversion headers. The BTS 10200 reads the diversion counter across all diversion headers to determine the total diversion count. For outgoing calls, the BTS 10200 sends 0, 1, or 2 diversion entries, depending on the forwarding information of the call.

Diversion header parameter support is limited to the diversion counter and the diversion reason. These two parameters in diversion headers are populated for outgoing calls and interpreted on incoming calls.

For INVITEs sent out on a BTS 10200 SIP trunk with the diversion feature enabled, the following behavior applies:

- If no forwarding information is available, no diversion headers are included.
- If there is an original called party, one diversion header is added to the outgoing INVITE message.
- If there is a last forwarding party, a second diversion header is added on top of the original called party diversion header.

- Each outgoing diversion header is populated with the party number, the diversion reason, and the diversion count. A business group identification (BGID) is added to a diversion header as a token parameter if the feature for business group identification is enabled, and the diversion number is in a Centrex format.
- Privacy parameters are sent and received in the diversion header.

For INVITEs received on a SIP trunk, the following behavior applies:

- If no diversion headers are present in the incoming message, no forwarding information is identified.
- If exactly one diversion header is present in the incoming message, the number in the diversion header is identified as the original called party number. The diversion reason and count are also interpreted.
- If multiple diversion headers are present in the incoming message, the bottom-most diversion header determines the original called number. The top-most diversion header determines the last forwarding party and diversion reason. The total diversion count is determined by the summation of the diversion counter values across all the diversion headers received. The rest of the diversion information is ignored.
- If no diversion headers are present on a provisioned SIP-T trunk, and the trunk receives a call on that trunk with an INVITE number in the To field that differs from the Request URL number, then the To field number is interpreted as the original called number. Any diversion headers present are ignored.

Users can enable or disable diversion indication for a provisioned SIP trunk in the `softsw-tg-profile` table; the feature is enabled by default.

## Provisioning Procedure for Diversion Indication

The following command controls the diversion feature for outgoing calls on all trunks associated with the SIP trunk profile `<profile_id>`.

```
change softsw-tg-profile id=<profile_id>; diversion-header-supp=<see the following list>;
```

- Y (default)—Enables diversion headers for calls sent out the trunk
- N—Disables diversion headers for calls sent out the trunk



### Note

This flag does not apply to incoming calls. If the diversion headers exist on an incoming call, the system interprets the information from the diversion header.

# Number Portability Information and Carrier Identification Code

This section explains how the BTS 10200 supports number portability (NP) and carrier identification codes (CICs) for incoming and outgoing calls on SIP trunks.

## Number Portability

NP allows a subscriber to move geographically within the network domain without requiring a change to the subscriber's phone number. NP information is sent with the initial SIP INVITE message. The information indicates to the receiving switch whether a previous switch has performed a database query to get routing information for this subscriber. If the subscriber has moved, the NP information routing number (RN) indicates the destination switch to which the subscriber has moved.

BTS 10200 support for this feature follows the specifications described in the IETF document draft-yu-tel-url-07, *Extensions to the "tel" and "fax" URLs to Support Number Portability*.

For calls sent out a BTS 10200 SIP trunk, the NP information is added as parameters in the user portion of the Request URL of the outgoing INVITE message. A number portability dip indication (NPDI) flag is added to indicate that a database query for NP information was performed, and the routing number (RN) parameter value pair is added to indicate the switch to which the subscriber has moved.

For calls received on a BTS 10200 SIP trunk, if the NPDI and RN parameters are present in the received SIP INVITE, this NP information is identified for call processing. The system can send NP information on SIP calls sent out a SIP trunk. This is useful when the next switch does not support NP. The local routing number (LRN) from the called party number is removed and the called party number parameter is filled with the called party number from GAP. The translated bit (M-bit) is also reset.

The signal-porting-number flag in the Trunk Group (trunk-grp) table enables or disables the population of NP information for SIP calls sent out a SIP trunk. Use the following command:

```
change trunk-grp id=<tg_id>; signal-porting-number=<see following list>;
```

- N (default)—Send NP information on the outgoing SIP call if the information is available. If NP information is included for an incoming call, the information is used in call processing regardless of the provisioned flag setting.
- Y—Disable the addition of number portability information to SIP calls sent out a SIP trunk group.



#### Note

Number portability information received in a SIP call on an incoming SIP trunk is automatically interpreted. No provisioning control is available.

## Carrier Identification Code over SIP

Support for the carrier identification code (CIC) over SIP allows a SIP-to-PSTN gateway receiving a call to indicate which long distance carrier the originator has subscribed to for call handling.

The BTS 10200 support for this feature follows the specifications described in the IETF document draft-yu-tel-url-07. Support for CIC is limited to local CIC formats. Global CIC formats, which use country codes, are not supported. If a global CIC is received, the global part is ignored and the call is processed using the local portion.

For calls sent out over a BTS 10200 SIP trunk, the CIC, when available, can be added as a parameter of the user portion of the Request URI of the outgoing INVITE message. The system determines the value of the CIC parameter as follows:

- If a call is received from a PSTN origination, the system uses the transit-network-select information to derive the CIC value.
- For calls received on a BTS 10200 SIP trunk, if the CIC parameter is present in the received SIP INVITE, the value of the CIC is identified for call processing. If the CIC was received in global format, the country code component of the CIC is ignored. A CIC received in a SIP call on an incoming SIP trunk is automatically interpreted. The option to send the CIC parameter on the outbound SIP trunk is provisioned by means of the send-cic-param token in the softsw-tg-profile table.

See the CIC selection rules in the Trunk Group table and the send-cic-param token in the Softswitch Trunk Group Profile table in the [Cisco BTS 10200 Softswitch CLI Database](#).

# SIP Trunk Subgroups

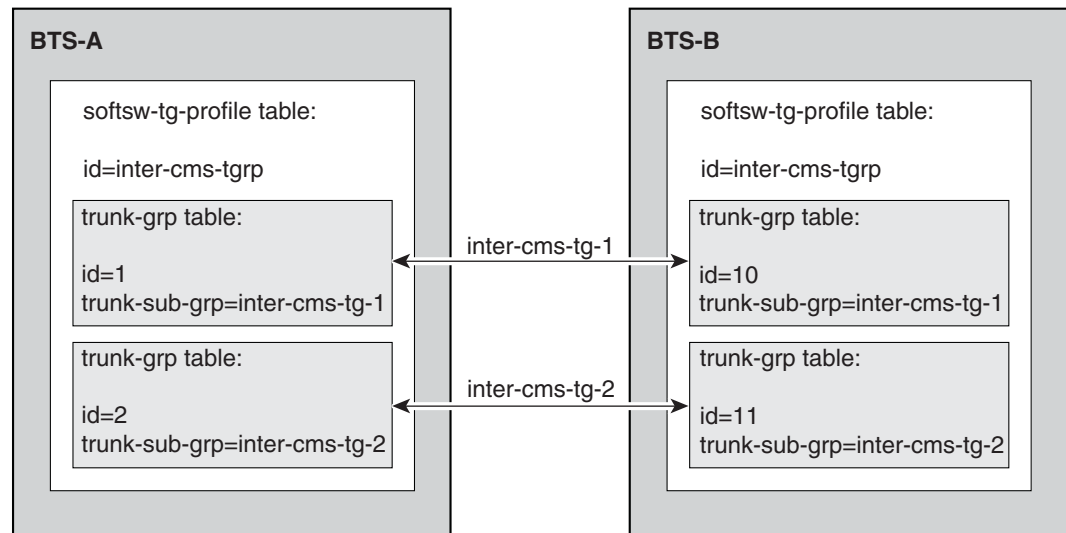
Multiple SIP trunk groups can be provisioned toward a single SIP endpoint (same IP address and port destination) differing only by a trunk subgroup identifier. Calls sent or received on these SIP subgroups contain the trunk subgroup ID in the SIP request message identifying the trunk group. The subgroup ID identifies calls from a particular source for follow-on treatment, which might include, for example, billing and routing.

## Description of SIP Trunk Subgroups Feature

Remote SIP servers or switches requiring additional network-specific or application-specific properties for calls to and from the BTS 10200 use the SIP trunk subgroups feature. A remote SIP entity can require the BTS 10200 to identify the call rate center from which a call originated. A SIP trunk subgroup can be provisioned to represent one of the rate centers. Each trunk has a unique subgroup identifier. Routing tables can be configured to select the trunk that represents, for example, a particular rate center, and the calls sent out that SIP trunk then include the unique rate center identifier.

Figure 3-5 shows an example of two BTS 10200 systems linked by two trunk groups (TGs).

**Figure 3-5** Two BTS 10200 Softswitch Systems Linked by Trunk Groups



For each SIP trunk group, if you provision the trunk-sub-grp token, the BTS 10200 delivers the trunk group ID (TGID) information through one of the following methods:

- **Proprietary TGID Parameter**—A proprietary TGID parameter is delivered in the Request-URI header of the Invite message. This is the default behavior, and is the same as the behavior provided prior to Release 5.0.
- **Standards-Based TGID Parameter**—For Release 5.0 and later, a TGID parameter is sent in the Contact header of the Invite message according to the IETF document [ietf-draft-iptel-trunk-group-08.txt](#), *Representing Trunk Groups in tel/sip*.

These options are described in the sections that follow.



**Tip** You select the TGID delivery option through the SEND-STD-TRK-GRP-URI in the softsw-tg-profile table. The default value is N, which selects the proprietary delivery option.

## Proprietary TGID Parameter

For any INVITE sent out on a SIP trunk subgroup by a BTS 10200, a Cisco proprietary SIP URL parameter, `tgid`, is added to the request URI. The `tgid` value is retrieved from the SIP trunk subgroup on which the call is sent out.

An example of this parameter syntax follows:

```
INVITE sip:50001.vm.cisco.com:5060;user=phone;tgid=inter-cms-tg1 SIP/2.0
From: <sip:50603.sipserver:5060;user=phone>;tag=1_1146_f40077_3jwv
To: <sip:50586.bts.cisco.com;user=phone>
```

When the BTS 10200 receives a call on a SIP trunk subgroup from a remote SIP endpoint, the endpoint is required to send the `tgid` parameter to identify the trunk subgroup. The value must match one of the provisioned trunk subgroups. The `tgid` type is specified in the `trunk-sub-grp-type` field in the `softsw-tg-profile` table, and the `tgid` value is provisioned in the `trunk-sub-grp` field of the `trunk-grp` table.



**Note** The `bgid` and `tgid` parameters are mutually exclusive. Only one can be enabled on a trunk.

The following information is required at the time of provisioning:

- Associate a unique trunk group identifier for each subgroup.
- Identify the FQDN and port of the remote SIP server used for SIP message exchange, for example: `sipserver:5060`.
- Create a dial plan for calls received on the SIP trunks, to route the calls based on the called party number.

The following steps show how to provide multiple trunks toward a remote SIP entity for additional network-specific or application-specific properties for calls to and from the BTS 10200. You use a procedure like this, for example, to identify the rate center where a call originated.

- 
- Step 1** Add a SIP trunk profile for the SIP trunks. Set the trunk subgroup type to indicate the trunk group identifier use:
- ```
add softsw-tg-profile ID=<profile_id>; protocol-type=SIP; trunk-sub-grp-type=tgid;
```
- Step 2** Add a sip-element with a TSAP address:
- ```
add sip-element; tsap-addr=sipserver:5060;
```
- Step 3** Add SIP trunk groups. The TSAP address must match the TSAP address provisioned in the applicable sip-element table of the remote server.
- ```
add trunk-grp id=1; call-agent-id=CA146; tg-type=softsw; softsw-tsap-addr=sipserver:5060;
tg-profile-id=inter-cms-tgrp; trunk-sub-grp=inter-cms-tg-1;

add trunk-grp id=2; call-agent-id=CA146; tg-type=softsw; softsw-tsap-addr=sipserver:5060;
tg-profile-id=inter-cms-tgrp; trunk-sub-grp=inter-cms-tg-2;
```

**Note**

Routing and dial plan tables are provisioned (not shown) so that calls originating from a specific source (such as a rate center) are sent out the SIP trunk with the subgroup identifier representing that source.

Standards-Based TGID Parameter

This section describes the TGID delivery option that is based on the IETF document `ietf-draft-iptel-trunk-group-08.txt`. This feature adds two SIP URL parameters in the Contact header of the outgoing INVITE message:

- `trunk-context`—Indicates the source of the originating server, which is the local BTS 10200 contact.
- `tgrp`—Indicates the specific subgroup provisioned in the trunk-grp on the BTS 10200. The `tgrp` values on both the originating and terminating BTS 10200 systems must be the same.

The receiving BTS 10200 uses the inbound-policy table to identify the incoming trunk that is associated with the remote server and subgroup.

The following steps show how to provide multiple trunks toward a remote SIP entity for additional network-specific or application-specific properties for calls to and from the BTS 10200. The TGs in these examples connect two BTS 10200 nodes (see [Figure 3-5 on page 3-29](#)).

BTS-A SIP Trunk Provisioning

- Step 1** Add the SIP element for the destination node. The sip-element table on BTS-A is provisioned with the TSAP address of the destination node (BTS-B).

```
add sip-element tsap-addr=sia-bts-b.serviceprovider.com:5060;
```

- Step 2** The same softsw-tg-profile table can be used for both trunks between the two BTS 10200 nodes. In addition to an ID, the parameters must be provisioned as shown for the feature to be enabled.

```
add softsw-tg-profile id=inter-cms-tgrp; protocol-type=sip; trunk-sub-grp-type=tgid;
send-std-trk-grp-uri=y;
```

- Step 3** For each trunk group (`id=1` and `id=2`), the trunk-sub-grp value becomes the value in user portion of the Contact header. Note that the trunk group tables on BTS-A are provisioned with the TSAP address of the destination node (BTS-B).

```
add trunk-grp id=1; call-agent-id=CA146; tg-type=softsw;
softsw-tsap-addr=sia-bts-b.serviceprovider.com:5060; tg-profile-id=inter-cms-tgrp;
trunk-sub-grp=inter-cms-tg-1;
```

```
add trunk-grp id=2; call-agent-id=CA146; tg-type=softsw;
softsw-tsap-addr=sia-bts-b.serviceprovider.com:5060; tg-profile-id=inter-cms-tgrp;
trunk-sub-grp=inter-cms-tg-2;
```

- Step 4** To determine the incoming SIP trunk, the system looks at the TRUNK-CONTEXT parameter, and it rejects the call if the field does not match any values in the SIP Inbound Policy (`sip-inbound-policy`) table. The MISSING-ACTION parameter indicates that if the TRUNK-CONTEXT parameter does not exist in the Contact header, the system uses the legacy trunk-group identification technique (that is, the VIA header matches the trunk group TSAP address).

```
add sip-inbound-policy-profile id=trunk-context-1; policy-type=contact-trunk-context;
missing-action=none; nomatch-action=reject;
```

- Step 5** Enable the inbound policy procedure to determine the incoming SIP trunk. The sip-inbound-policy-profile-id indicates the first inbound policy to check to determine the incoming SIP trunk.
- ```
add call-agent-profile id=CA146; sip-inbound-policy-profile-id=trunk-context-1;
```
- Step 6** If the TRUNK-CONTEXT matches, the system looks for TGRP, and rejects the call if the field does not match any values in the sip-inbound-policy table.
- ```
add sip-inbound-policy-profile id=TGRP-1; policy-type=contact-tgrp; missing-action=reject; nomatch-action=reject;
```
- Step 7** Define the TRUNK-CONTEXT value. If it matches, the system uses the next inbound policy profile (TGRP-1) for further processing.
- ```
add sip-inbound-policy; id=trunk-context-1; token-string=sia-bts-b.serviceprovider.com; next-sip-policy-id=TGRP-1;
```
- Step 8** Define the TGRP value for the first and second trunk groups. If the token string matches inter-cms-tg-1, the system uses tgn-id=1, and if it matches inter-cms-tg-2, the system uses tgn-id=2.
- ```
add sip-inbound-policy; id=TGRP-1; token-string=inter-cms-tg-1; tgn-id=1;
add sip-inbound-policy; id=TGRP-1; token-string=inter-cms-tg-2; tgn-id=2;
```
-

BTS-B SIP Trunk Provisioning

Provision the SIP trunks on BTS-B.

The provisioning for BTS-B is the same as in the [“BTS-A SIP Trunk Provisioning”](#) section on page 3-31, except for the following:

- The sip-element table on BTS-B is provisioned with the TSAP address of the destination node (BTS-A). For example, use sia-bts-a.serviceprovider.com:5060 instead of sia-bts-b.serviceprovider.com:5060.
- (Optional) The trunk group IDs on BTS-B can be given different values than those on BTS-A.

The tgrp values on the originating and terminating BTS 10200 systems *must be the same*.

Example of an INVITE Message

Following is an example of an INVITE from BTS-A to BTS-B on inter-cms-tg-1:

```
INVITE sip:7035556666.sia-bts-b.serviceprovider.com;user=phone SIP/2.0
Via: SIP/2.0/UDP sia-bts-a.serviceprovider.com:5060
;branch=term-d-7030011111-7035556666
From: 7030011111 <sip:7030011111.sia-bts-a.serviceprovider.com;user=phone>
;tag=70910393
To: 7037535555 <sip:7035556666.sia-bts-b.serviceprovider.com;user=phone>
Call-ID: 50c0489e-39872c35-514de99d-d.sia-bts-a.serviceprovider.com
CSeq: 1 INVITE
Contact:
<sip:7030011111;tgrp=inter-cms-tg-1;trunk-context=sia-bts-a.serviceprovider.com.sia-bts-a@serviceprovider.com:5060>
```


SIP-T, ISUP Version, ISUP Transparency, and GTD

SIP-T is an IETF standard for SIP-to-PSTN interworking. It provides seamless bridging between two PSTN networks by encapsulating ISUP information as a binary or textual SIP attachment body. IETF also provides the standard for interworking a SIP network with the PSTN by specifying the SIP header translation for SIP-PSTN gateways.

**Note**

A textual SIP-T attachment body contains the Generic Transparency Descriptor (GTD); a binary attachment body is non-GTD.

Description of SIP-T, ISUP Version, ISUP Transparency, and GTD

BTS 10200 support for SIP-T follows the specifications described in RFC 3372, RFC 3398, and RFC 3204. For details on how call signaling information elements are mapped between a SIP-T message (headers and encapsulated ISUP) and an SS7/ISDN message, contact your Cisco account team.

SIP-T ISUP formats supported by the BTS 10200 include GTD, Q761_HONGKONG (ITU), and ANSI GR-317. The ISUP version is provisioned using the SIP-T ISUP Version (sipt-isup-ver) field in the softsw-tg-profile table. When a SIP-T message is sent out from the BTS 10200, it always indicates to the receiver that handling the ISUP is optional using the SIP content disposition header. A SIP-T call is refused if an initial INVITE is received with an unsupported ISUP version attached, and the message indicates that ISUP handling is not optional. If the ISUP handling was optional, the call proceeds by ignoring the ISUP information.

A SIP-T trunk is provisioned by setting the protocol type to SIP-T, and specifying one of the supported ISUP versions in the SIP trunk profile. When the system sends a SIP-T message with encapsulated ISUP, the SIP-T trunk sends the ISUP version, and the version label is set to the one provisioned. If there is a custom alias name for that version, the alias name is used in the message instead of the version label. This is accomplished by provisioning of the SIP-T ISUP Version Alias (sipt-isup-ver-alias) table. The base parameter in the message is set according to RFC 3204 in line with the version chosen. Because the base is optional, it can be removed from the SIP INVITE message using provisioning. Note that the GTD type does not include a base parameter.

The provisioning system for defining a SIP-T trunk requires that the reliable provisional response feature is enabled. Therefore, the INVITE message that is sent will indicate PRACK as a requirement. The system supports ISUP versions applicable to SIP-T and SIP-GTD.

**Note**

GTD parameters can be used to support ISUP transparency between the BTS 10200 and the Cisco PSTN Gateway (PGW) 2200. For more information on provisioning this feature, see the [“BTS-PGW ISUP Transparency”](#) section in the *Cisco BTS 10200 Softswitch Provisioning Guide*. For a description of this feature, see the [“ISUP Transparency with the Cisco PGW 2200”](#) section in the *Cisco BTS 10200 Softswitch System Description*.

Provisioning Procedures for SIP-T, ISUP Version, ISUP Transparency, and GTD

Use this procedure to provision SIP-T, ISUP version, and GTD parameters.

**Note**

The values used in this section are examples. For a complete list of options, see the applicable tables in the [Cisco BTS 10200 Softswitch CLI Database](#).

Step 1 Provision a SIP-T trunk by setting the protocol type to SIP-T in the SIP trunk profile <profile_id>.



Note You must set protocol-type=SIP_T if you want the system to use GTD.

a. If you want to review the valid SIP-T ISUP versions, enter the following command:

```
show sipt-isup-ver-base
```

b. For a SIP-T version of ANSI GR-317, provision as follows:

```
add softsw-tg-profile ID=<profile_id>; protocol-type=SIP_T; prack-flag=Y;
sipt-isup-ver=ANSI_GR317;
```

c. For a SIP-T version of GTD, provision as follows:

```
add softsw-tg-profile ID=<profile_id>; protocol-type=SIP_T; prack-flag=Y;
sipt-isup-ver=GTD; gtd-mode=<COMPACT | VERBOSE>; gtd-parms=ALL;
```



Note The version field (SIPT_ISUP_VER) is a user-provisioned alphanumeric in the SIP trunk profile required for SIP-T trunk types. The label represents the version of the ISUP as it is understood by the remote SIP-T entity for interworking. It is one of the following values: GTD, ANSI_GR317, or Q761_HONGKONG. If the remote SIP entity is looking for these ISUP versions but under a different name, the sipt-isup-ver-alias table can be used to provide a custom version name in the SIP message.

To omit the base parameter from the SIP message (as defined in RFC 3204) for the ISUP version provisioned, accept the default value (N) for the USE_SIPT_ISUP_BASE flag.

The flag for controlling reliable provisionable responses (PRACK_FLAG) should be enabled, and is forced enabled internally.

Step 2 Add a SIP trunk group associating it to the SIP trunk profile defined in [Step 1](#). The following example uses the dial plan identifier dp, and the fully qualified domain name of the remote SIP-T entity **siptentity:5060**.

```
add trunk_grp ID=<trk_grp_id1>; TG_TYPE=SOFTSW; TG_PROFILE_ID=<profile_id>;
SOFTSW_TSAP_ADDR=siptentity:5060; DIAL_PLAN_ID=dp;
```

Step 3 If you are using GTD, perform these additional substeps:

a. Verify that the gtd-supp token in the call-agent-profile is set to Y, or set it to Y if necessary:

```
show call-agent-profile id=CA-146;
change call-agent-profile id=CA146; gtd-supp=Y;
```

b. If you are using GTD, enter the GTD parameter values, for example:

```
add gtd-parm-values id=ACL; description=Automatic Congestion Level;
```

DTMF SIP Signaling

This section provides the following information about dual-tone multi frequency (DTMF) SIP signaling:

- [Feature Description, page 3-35](#)
- [Exceptions and Limitations, page 3-37](#)
- [Provisioning Procedure for DTMF SIP Signaling, page 3-37](#)

Feature Description

DTMF SIP signaling allows a remote SIP server to receive SIP notifications from a BTS 10200 SIP trunk when a BTS 10200 local subscriber presses a DTMF digit on the handset during a SIP call. This notification identifies which digit was pressed and indicates how long it was pressed. DTMF SIP signaling is used when a remote SIP server requires DTMF notifications to drive interactive voice response (IVR) applications, and the DTMF notification information cannot be sent using the bearer path.



Note

We recommend that you use the bearer-path solution (rather than the DTMF signaling solution) if possible. See IETF RFC 2833.

This feature sends DTMF notifications in SIP INFO or NOTIFY request messages from the BTS 10200 SIP trunk. The NOTIFY mechanism of delivering DTMF digits follows the mechanism described in draft-mahy-sip-signaled-digits-00.txt, *Signaled Digits in SIP*.

The remote SIP server generic uses the SUBSCRIBE/NOTIFY mechanism to subscribe to the BTS 10200 SIP interface for telephone-event notifications. The mechanism is described in draft-roach-sip-subscribe-notify-03, *Event Notification in SIP*. Alternatively, the SIP INFO method for notification of telephone events may be used for unsolicited notifications. The BTS 10200 only sends DTMF notifications out SIP trunks; it does not process incoming notifications. Users can enable or disable the DTMF SIP signaling feature for a provisioned SIP trunk. The feature is disabled by default.

DTMF notifications are sent using the SIP INFO or NOTIFY request method, depending on the provisioning selection for the feature. The notifications are sent only within an active SIP call dialog.

If the INFO method is selected, the BTS 10200 sends an INFO message once for each digit pressed. These messages are delivered to the contact address if the BTS 10200 received the original INVITE, or to the initial INVITE's Request URI if the BTS 10200 originated the call. The remote SIP endpoint must answer with a 200 response. The INFO method is specified in RFC 2976.

The following is an example of an INFO message sent from the BTS 10200 when a subscriber has pressed the DTMF digit 1 for 250 milliseconds:

```
INFO sip:subscriber@remoteDomain.com SIP/2.0
Via: SIP/2.0/UDP bts.cisco.com:5060
From: Notifier <sip:notifier@bts.cisco.com>;tag=bts-1234
To: Subscriber <sip:subscriber@remoteDomain.com>;tag=1234-ABCD
Call-ID: 12345@bts.cisco.com
CSeq: 102 INFO
Content-Type: application/dtmf-relay
Content-Length: 22
Signal=1
Duration=250
```

If the NOTIFY method is selected for this feature, the BTS 10200 sends two NOTIFY requests each time a DTMF button is pressed, once when the digit is pressed and once when the button is released. However, the feature does not send or buffer notifications during the SIP call unless the remote SIP endpoint has subscribed for these notifications during an active SIP call. DTMF notifications are sent over SIP during an active subscription until the subscription expires. A subscription expires if the call is released or if the subscription is not refreshed (resubscribed) before its specified subscription duration. Either side may send indication of subscription expiration if an error occurred.

The following is an example of a subscription received on a BTS 10200 SIP trunk. In the example, the subscriber requests information on all telephone events that occur longer than 2000 milliseconds. The duration of the subscription requested is 1 hour (3600 seconds):

```
SUBSCRIBE sip:notifier@bts.cisco.com SIP/2.0
Via: SIP/2.0/UDP vocaldata.com:5060
From: Subscriber <sip:subscriber@vocaldata.com>;tag=1234-ABCD
To: Notifier <sip:notifier@bts.cisco.com>;tag=bts-1234
Call-ID: 12345@bts.cisco.com
CSeq: 102 SUBSCRIBE
Contact: Subscriber <sip:subscriber@vocaldata.com>
Event: telephone-event;duration=2000
Expires: 3600
Content-Length: 0
```

A 200 OK response is immediately sent from the BTS 10200 for the SUBSCRIBE, indicating that the SUBSCRIBE message was received. The BTS 10200 sends an Expires header in this response to indicate the actual subscription duration, which could be less than the duration indicated in the original SUBSCRIBE request.

An initial NOTIFY is immediately sent to the remote endpoint, as soon as the subscription is created or refreshed. The following is an example this initial NOTIFY request:

```
NOTIFY sip:subscriber@vocaldata.com SIP/2.0
Via: SIP/2.0/UDP bts.cisco.com:5060
From: Notifier <sip:notifier@bts.cisco.com>;tag=bts-1234
To: Subscriber <sip:subscriber@vocaldata.com>;tag=1234-ABCD
Call-ID: 12345@bts.cisco.com
CSeq: 103 NOTIFY
Contact: Notifier <sip:notifier@bts.cisco.com>
Event: telephone-event;rate=1000
Content-Type: audio/telephone-event
Content-Length: 0
```

When an event notification is sent to the endpoint by means of the NOTIFY request method, two NOTIFY requests are sent, indicating the beginning and end of the DTMF digit pressed. Each request contains the digit pressed and the duration in an encoded bit-mask. An example of this request follows. Consult the DTMF draft for the format of the bit-mask.

```
NOTIFY sip:subscriber@vocaldata.com SIP/2.0
Via: SIP/2.0/UDP bts.cisco.com:5060
From: Notifier <sip:notifier@bts.cisco.com>;tag=bts-1234
To: Subscriber <sip:subscriber@vocaldata.com>;tag=1234-ABCD
Call-ID: 12345@bts.cisco.com
CSeq: 104 NOTIFY
Contact: Notifier <sip:notifier@bts.cisco.com>
Event: telephone-event;rate=1000
Content-Type: audio/telephone-event
Content-Length: 4
0x0B0F0300
```

Exceptions and Limitations

The following limitations apply to the implementation of this feature on the Cisco BTS 10200 Softswitch:

- The system does not support out-of-band (OOB) DTMF relay for local SIP subscribers (subscribers are registered directly with the BTS 10200).
- The system does not support inbound DTMF messages and responds as follows when it receives an inbound DTMF message:
 - If the system receives an incoming NOTIFY for an event name other than “message_summary” (voice mail notification), it rejects the NOTIFY with a 400 (Unknown Event Specified) response.
 - If the system receives an incoming INFO with any content on a SIP trunk, it rejects the message with a 501 (Not Implemented) response.
 - If the system receives an INFO with a DTMF attachment on a SIP-T trunk during a connected call, it rejects the message with a 415 (Unsupported media type) response. This is because the system accepts only ISUP attachments on a SIP-T trunk during a connected call, and rejects all other attachment types with a 415 response.
 - If the system receives an INFO or NOTIFY message out of dialog, it rejects the message with a 481 (Call Leg/Transaction Does Not Exist) response.
 - If the system receives an INFO before a call is in connected state, or from a subscriber, it rejects the message with a 501 (Not Implemented) response.

Provisioning Procedure for DTMF SIP Signaling

This section shows how to control the DTMF SIP signaling method on all SIP trunks associated with the SIP trunk profile <profile_id>.

You can disable DTMF SIP signaling, or set it to either INFO or NOTIFY method:

- To disable the DTMF SIP signaling feature, enter the following command. This is the default value.
`change softsw-tg-profile id=<profile_id>; dtmf-relay-method=NONE;`
- To enable the DTMF SIP signaling feature, enter the following command. You use the SIP INFO method to send unsolicited notification of telephone events (DTMF) toward the remote SIP entity provisioned in the trunk group.
`change softsw-tg-profile id=<profile_id>; dtmf-relay-method=INFO;`
- To enable the DTMF SIP signaling feature, enter the following command. You use the SIP NOTIFY method to send solicited notification of telephone events (DTMF) toward the remote SIP entity provisioned in the trunk group. In this case, the remote SIP entity must subscribe to the BTS 10200 for DTMF events.
`change softsw-tg-profile id=<profile_id>; dtmf-relay-method=NOTIFY;`

Asserted Identity and User-Level Privacy

The Asserted Identity feature is described in RFC 3325 and enables a network of trusted SIP servers to assert the identity of authenticated users. According to RFC 3323, when privacy features are applied to SIP messages, the calling party information—the automatic number information (ANI)—is unavailable

to network elements in a trusted network domain, and inhibits network features such as call trace. The asserted identity allows these features to work because the ANI is provided in an asserted identity header and is shared across all network nodes in the trust domain. When the SIP message is exiting a trust domain, the header can be removed for privacy requirements.

Asserted identity is limited in its usage to specialized networks with trust domains, as specified in RFC 3325. In the BTS 10200, it is provided only in a limited context. This feature is associated with a BTS 10200 SIP trunk. It maps calling party information from SS7 (or some other non-SIP network) into a SIP network, as defined by the PacketCable CMSS 1.5 specification.

Signaling for Asserted Identity and User-Level Privacy

The feature is enabled by setting the USE-PAI-HDR-FOR-ANI flag in the SIP trunk group profile. If this flag is set to Y, calling party information is derived exclusively from the P-Asserted Identity (PAI) header on inbound calls. For outbound calls, a PAI header is sent with the calling party information if provided.

If this flag is set to N, calling party information is mapped, sent, and received by means of the From header. Details of mapping ANI using the SIP From header on the BTS 10200 can be obtained from your Cisco account team.

The SIP asserted identity header provides the calling name and number values. BTS 10200 support for the privacy specification RFC 3323 is limited to the use of the privacy header with value of id to indicate the calling number presentation indication when this feature is enabled. The presence of the SIP privacy header in the message with a value of id indicates that the calling number is restricted; otherwise, it is not restricted.



Note

A separate flag in the BTS 10200 SIP trunk group profile provides user-level privacy to the outbound SIP INVITE message. This is separate from the Asserted Identity feature. You enable the privacy feature by setting the APPLY-USER-PRIVACY flag in the softsw-tg-profile table. If the flag is set to Y and if the originator requested privacy, aspects of the calling party information in the initial outbound SIP INVITE are hidden. Hidden items include calling name and number in the From header and Contact header. Privacy is applied only when either the calling party name or number has presentation restrictions and this flag is active. If the flag is set to N, user-level privacy is not applied.

The BTS 10200 does not evaluate the trusted network domain for calls in and out of the BTS 10200. The asserted identity header is honored if it is received on a SIP trunk, and it is sent if the feature is enabled (provided that ANI information is available). Therefore, with this feature the assumption is that all incoming and outgoing messages are trusted.



Note

Do not rely on asserted identity to provide a trusted ANI if the BTS 10200 receives an ANI from nontrusted call sources.

The following is an example of ANI information provided by the Asserted Identity and Privacy headers. In this case, the display name is Jim and the number is 4692550134. The number presentation is restricted.

```
P-Asserted-Identity: "Jim" <sip:+14692550134@cisco.com>
Privacy: id
```

If the privacy header does not exist, it means that the calling number presentation is allowed.

Provisioning Procedure for Asserted Identity and User-Level Privacy

This section shows how to control the p-asserted-id header and user-level privacy.

- Step 1** You can set the use-pai-hdr-for-ani parameter to Y or N (N is the default value).
- To set the system to derive calling party information exclusively from the PAI header on inbound calls, and always send for outbound calls (assuming the calling information exists), enter the command as follows:


```
change softsw-tg-profile id=<profile_id>; use-pai-hdr-for-ani=Y;
```
 - To set the system to send or receive calling party information in the From header, enter the command as follows. (This is the default setting.)


```
change softsw-tg-profile id=<profile_id>; use-pai-hdr-for-ani=N;
```
- Step 2** You can set the apply-user-privacy parameter to Y or N (N is the default value) to control user-level privacy in the outbound SIP INVITE message.
- To instruct the system to apply user-level privacy, enter the command as follows:


```
change softsw-tg-profile id=<profile_id>; apply-user-privacy=Y;
```



Note If you set this parameter to Y and the originator requested privacy, aspects of the calling party information (such as the calling name and number in the From: header) in the initial outbound SIP INVITE are hidden. Privacy is requested when the calling party name or number has presentation restrictions.

- To instruct the system not to apply user-level privacy, enter the command as follows. (This is the default setting.)


```
change softsw-tg-profile id=<profile_id>; apply-user-privacy=N;
```

Calling Name Delivery on Terminating SIP Trunks

This section describes how to provision the Calling Name Delivery (CNAM) feature on a terminating SIP trunk on the BTS 10200. When CNAM is enabled by provisioning on a SIP trunk, a local subscriber originating a call out a terminating SIP trunk will have the originator name in the SIP message for the CNAM feature.

In the following provisioning example, if subscriber sub1 calls 469-555-0122, the call is routed out a SIP trunk. The CNAM feature is invoked and adds john doe to the display name of outgoing SIP call. To associate CNAM to the trunk, CNAM is associated with a virtual subscriber, and the virtual subscriber is associated with the SIP trunk.

```
add softsw-tg-profile id=SS_PROFILE; protocol-type=SIP;

add trunk-grp ID=157; call-agent-id=CA146; tg-type=SOFTSW; softsw-tsap-addr=TsapAddr.com;
tg-profile-id=SS_PROFILE; pop-id=1; dial-plan-id=BASIC_DPP; ani-based-routing=Y;

add subscriber-profile ID=sub_profile; dial-plan-id=BASIC_DPP; pop-id=1;

add subscriber ID=subcnam; category=individual; name=subcnam; tgn-id=157;
sub-profile-id=sub_profile; term-type=TG; dn1=469-555-0122;
```

```

add feature fname=CNAM; tdp1=FACILITY_SELECTED_AND_AVAILABLE;
tid1=TERMINATION_RESOURCE_AVAILABLE; ttype1=R; feature-server-id=FSPTC235;
description=Calling Name; GRP_FEATURE=N

add service ID=3; fname1=CNAM;

add subscriber-service-profile sub-id=subcnam; service-id=3;

change subscriber id=sub1; name=john doe;

```

Third-Party Call Control

A third-party call control (3PCC) controller initiates a call, first to one endpoint and then to the other endpoint, and connects the two endpoints together in a two-party call. This allows applications to act like operator-placed calls, and it supports call features like click-to-dial, in which a user clicks a link on a Web browser to place a call.



Note

The BTS 10200 handles calls sent and received from a 3PCC controller, but does not operate as a controller itself.

SIP call type of 3PCC has a property that the initial SIP Invite message sent does not include an SDP attachment. The BTS 10200 SIP trunk detects this message sequence and handles it dynamically (no provisioning is required). The system provides support for these calls by handling SDP exchange in 18x/PRACK.



Note

Originating H.323 slow-start calls to SIP also result in an initial INVITE without SDP.

ANI-Based Routing

ANI-based routing is used when incoming calls on a BTS 10200 SIP trunk require routing decisions based on more than simply the properties of the trunk the call was received. In this case, more information is required, including the properties of the originating business group that is not local to this BTS 10200. This information is required when the business groups are managed by another switch communicating with the BTS 10200 using a single SIP trunk, and each business group has carrier preferences managed by this BTS 10200.

In the BTS 10200, a subscriber is provisioned to represent each business group. Each of the subscribers is associated, by provisioning, to the SIP trunk toward the remote switch managing these groups. Each subscriber associated with the SIP trunk is assigned a range of numbers and properties specific to a business group. When a call is received on the SIP trunk, the called party number from the SIP INVITE message is used to select a subscriber associated with the trunk based on the subscriber's range of numbers. The selected subscriber provides the properties of the business group for routing.

The following rules apply when you are provisioning ANI-based routing for calls incoming on a SIP trunk:

- The softswitch trunk group on which the calls arrive must have the ANI_BASED_ROUTING flag set to Y.
- Office codes (NPA-NXX) must be provisioned for the calling party numbers.

- DN2Subscriber table must have the range of calling party numbers provisioned in it.
- A subscriber must be provisioned for a given range of DNs in DN to Subscriber (dn2subscriber) table. This subscriber's dial-plan and point of presence (POP) are then used to make call-type and routing decisions.

You use commands similar to those shown in the example below to provision ANI-based routing.

Step 1 Identify the protocol type.

```
add softsw-tg-profile ID=SS_PROFILE; PROTOCOL_TYPE=SIP;
```

Step 2 Add the trunk group and enable ANI-based routing.

```
add trunk-grp ID=157; CALL_AGENT_ID=CA146; TG_TYPE=SOFTSW;
SOFTSW_TSAP_ADDR=domainname.com; TG_PROFILE_ID=SS_PROFILE; POP_ID=1;
DIAL_PLAN_ID=BASIC_DPP; ANI_BASED_ROUTING=Y;
```

Step 3 Add the subscriber profile.

```
add subscriber-profile ID=sub_profile; DIAL_PLAN_ID=BASIC_DPP; POP_ID=1;
```

Step 4 Add the subscriber.

```
add subscriber ID=sub5; CATEGORY=INDIVIDUAL; NAME=sub5; TGN_ID=157;
SUB_PROFILE_ID=sub_profile; TERM_TYPE=TG;
```

Step 5 Add the office code.

```
add office-code DIGIT_STRING=214-555; OFFICE_CODE_INDEX=1;
```

Step 6 Add the dn2subscriber.

```
add dn2subscriber FROM-DN=214-555-1231; TO-DN=214-555-0133; SUB_ID=sub5;
```

ANI Screening on Incoming Calls

You use commands similar to those shown in the following example to provision ANI screening on incoming calls.

Step 1 Define the ANI-SCREENING-PROFILE ID. The default ANI-SCREENING-ACTION is set to ALLOW calls. The calls are routed using Dial Plan ID assigned to the incoming Trunk Group.

```
Add ANI-SCREENING-PROFILE ID=CHILATA;
```

Step 2 Define the Virtual Subscribers for each LATA / RC.

```
Add subscriber ID=rac1; sub-profile-id=rac1subp; term-type=none;
Add subscriber ID=rac2; sub-profile-id=rac2subp; term-type=none;
```

Step 3 Add ANI-SCREENING records

```
Add ANI-SCREENING ID=CHILATA; FROM-DN=312-200-0000; TO-DN=312-999-9999; MAIN-SUB-ID=rac1;
Add ANI-SCREENING ID=CHILATA; FROM-DN=847-200-0000; TO-DN=847-999-9999; MAIN-SUB-ID=rac2;
```

Step 4 Add Trunk Group Record

```
Add Trunk-Grp ID=12345; TG=NRS2MGC; call-agent-id=CA123; TG-TYPE=SOFTSW; ANI-SCREENING=Y;
ANI-SCREENING-PROFILE-ID=CHILATA; DIAL-PLAN-ID=dp1; POP-ID=CHICAGO;
SOFTSW-TSAP-ADDR=nrs@service-provider.com; TRAFFIC-TYPE=TANDEM;
```

T.38 Fax Relay CA Controlled Mode Across SIP Trunk Interface

The BTS 10200 supports T.38 fax relay with CA controlled mode across the SIP trunk interface.

Treatment of incoming and outgoing faxes occurs as follows:

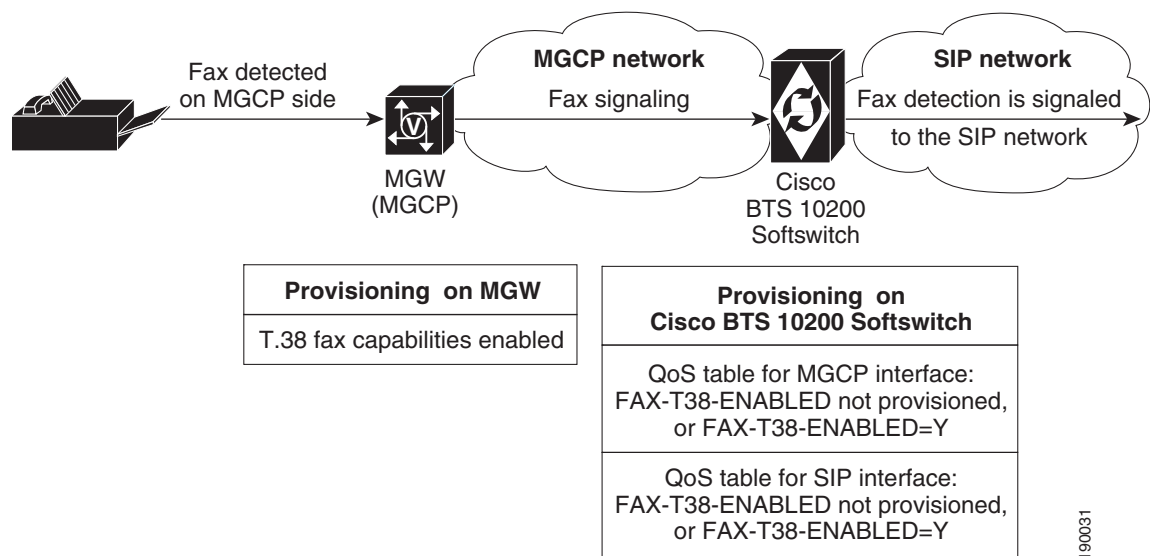
- Incoming faxes—The BTS 10200 SIP interface supports switching from audio to T.38 fax when an incoming fax is detected from the SIP network. When the system switches from audio to fax, it sends an indication of the switch event in a SIP message to the remote endpoint.
- Outgoing faxes—When the BTS 10200 SIP interface sends T.38 capability attributes out the SIP interface, it uses the standard format of RFC 3407.

The BTS 10200 supports T.38 fax interworking among devices that use MGCP, SIP, and H.323 protocols. The interworking behavior is as follows:

- Several provisionable tokens in the BTS 10200 database—in the MGW Profile (mgw-profile), Quality of Service (qos), H.323 Trunk Group Profile (h323-tg-profile), H.323 Term Profile (h323-term-profile), and Call Agent Configuration (ca-config) tables—affect the T.38 fax treatment on MGCP and H.323 interfaces, but they do not affect the SIP interface.
- For an MGCP-to-SIP call on the BTS 10200, if quality of service (QoS) is provisioned on the SIP interface and the FAX-T38-ENABLED field is set to N, the T.38 fax feature is disabled on the MGCP interface. The MGCP interface does not initiate T.38 procedures on fax detection, but it supports fax detection from the SIP network. The SIP interface is not affected by this provisioned value; it always supports T.38 procedures on the inbound and outbound directions.

Figure 3-6 shows an example of MGCP and SIP interworking.

Figure 3-6 Example of MGCP and SIP Interworking for T.38 Fax



For additional information about T.38 fax features on the BTS 10200, see the following documents:

- The “[T.38 Fax Relay, Modem, and TDD Handling](#)” section in the *Cisco BTS 10200 Softswitch Network and Subscriber Feature Descriptions* document
- The “[T.38 Fax Relay](#)” provisioning section in the *Cisco BTS 10200 Softswitch Provisioning Guide*

In cases where the T.38 media path switches back from fax mode to audio mode, either by an audio-restore message after a successful fax or by a failure to switch successfully to fax mode, the system sends a SIP re-INVITE message to the remote endpoint. If the endpoint is capable of switching back to audio, the call can be restored to audio mode. This behavior is described in the IETF draft document *draft-ietf-sipping-realtimifax-01*.

SIP Call Transfer with REFER and SIP INVITE with Replaces

The SIP call transfer with REFER and SIP INVITE with Replaces features provide call-transfer functions to transfer targets that have non-BTS serving-domain names in the Refer-To header. The implementation of this feature complies with the following standards:

- RFC 3515—SIP Refer Method
- RFC 3891—SIP Replaces Header
- RFC 3892—SIP Referred-By Mechanism
- RFC 342— Internet Media Type message
- RFC 3893—SIP Authenticated Identity Body (AIB) Format



Note

The Cisco BTS 10200 Softswitch is not fully compliant with the "early-only" specification in RFC 3891. The BTS does not create or validate signed AIBs, but it does pass them along from a REFER to a referred INVITE.

The SIP REFER and SIP INVITE with Replaces features address cases in which the transfer targets specified in the Refer-To header of the REFER message are domains that are not BTS 10200 serving domains. The user part of the SIP URL in the Refer-To header can be a nonnumeric value. To manage non-BTS 10200 serving domains for attended transfers, an INVITE message with the Replaces header might need to be sent, the message being addressed to the transfer target. The BTS 10200 can receive SIP INVITE messages with Replaces header, and it processes them according to RFC 3891.

The Referred-By header includes information you can use to identify the Transferrer by the transfer target. This information might need to be passed to the transfer target when necessary. Therefore, the SIP REFER and SIP INVITE with Replaces features must also process the Referred-By header according to RFC 3892.

The BTS 10200 supports the following processing scenarios:

- The BTS 10200 can process a REFER message received from a SIP subscriber or SIP trunk.
- The BTS 10200 can send an INVITE with Replaces to a SIP subscriber or SIP trunk; however, it can process a received INVITE with Replaces from a SIP trunk only.

SIP REFER Message Processing

The system supports SIP REFER messages from subscribers and authorized trunks. You can provision a SIP trunk to enable or disable SIP REFER messages. It is possible to configure a SIP trunk to deny a SIP REFER message received on the trunk if it does not include the Referred-By header in the REFER message sent by a SIP subscriber.

For the provisioning procedure, see the [“Call Transfer \(Blind and Attended\) with REFER” section on page 2-38](#).

REFER messages outside of an established INVITE dialog are not supported.

The BTS 10200 does not send or forward a REFER message to the transferee endpoint. As a back-to-back user agent (B2BUA) it would act on behalf of the transferee.

The BTS 10200 (Release 5.0 and later) processes a SIP REFER message according to the host part of the Refer-To URL as described in the following cases:

- If the host indicates the BTS 10200 contact name or the name of a domain served by BTS 10200 (provisioned in the Serving Domain Name [serving-domain-name table]), the processing logic is identical to that for the pre-Release 5.0 implementation. There is a blind transfer, which is accomplished by the setting up of a call to the number specified in the user part of the Refer-To URL. If that number represents a SIP entity, the BTS 10200 sends an INVITE message to that endpoint. This triggered INVITE does not contain the Referred-By header received in the INVITE. The billing record for this call will not contain any information indicating that it was triggered by a REFER. An attended transfer is produced by performing an SDP exchange between the call legs of the transferee and the transfer target. The call legs to the transferrer are released by the sending of a BYE.
- If the host matches the tsap-addr of a softswitch type trunk in the trunk-group table, a SIP INVITE is sent to the specified URI using the provisioned properties of the softswitch trunk group profile associated with that trunk group. The Referred-By header from the REFER is copied to the INVITE. If a Replaces header parameter is present in the received Refer-To URL, a Replaces header is added to the INVITE. The billing record for the initiated call contains this data.
- If the host does not match the preceding possibilities, the REFER is honored and a triggered INVITE is sent (as in the preceding bullet), if the BTS 10200 is provisioned to allow a REFER to any arbitrary domain and a default SIP trunk group has been provisioned for this purpose.



Caution

Usually, allowing transfers to arbitrary domains is not a preferred option. One should consider seriously the consequences of this option.

Replaces Header Processing

SIP INVITE messages that include a Replaces header are supported only for trunks. You can provision trunks to enable or disable support of Replaces header processing. You must also provision a feature-server trigger to enable the processing of the Replaces header. See the [“Provisioning Procedure for SIP REFER and SIP INVITE with Replaces” section on page 3-45](#).

If a replaced call ID contained in the Replaces header of an INVITE message is not present on the BTS system, the INVITE is rejected. The replaced call ID must identify a valid call.

A call in active state (answered) is not replaced if the Replaces header consists of the early-only flag.

A transient call is not replaced even if the call is initiated by the transfer target.

A billing record with the Replaces feature identifier is generated. This record includes the Replaced Call ID. It might consist of the Referred-By field, if the Referred-By header is present in the INVITE message.

Referred-By Header Processing

A Referred-By header includes information that identifies a Transferrer or transfer target.

A Referred-By header that is present in a REFER is forwarded in an INVITE message for both blind and attended transfers without any change. The system reads the SIP URL in the header for billing purposes only.

The system does not interpret a Referred-By header that is present in a received INVITE message with a Replaces header.

A Referred-By header in a SIP REFER message that specifies a SIP trunk in the Refer-To URL is copied to the triggered INVITE and also recorded in the billing record of the triggered call.

You can provision the system so that it does not accept a SIP REFER unless it has a Referred-By header. There is a flag for conditioning the acceptance of a REFER on a SIP trunk basis and another flag for acceptance of REFER from all SIP subscribers.

A REFER-triggered outgoing INVITE message that includes a Referred-By header and a Replaces header is forwarded to the terminating SIP endpoint or to a SIP trunk.

Provisioning Procedure for SIP REFER and SIP INVITE with Replaces

This section explains how to perform the following tasks:

- [Provisioning the SIP REFER Trigger, page 3-45](#)
- [Provisioning the SIP REFER Feature, page 3-46](#)
- [\(Optional\) Provisioning Transfers to Arbitrary Domains as Specified in Refer-To URL, page 3-46](#)
- [Provisioning the SIP INVITE with Replaces Feature, page 3-47](#)



Note

This section includes examples of CLI commands that illustrate how to provision the specific feature. Most of these tables have additional tokens that are not included in the examples. For a complete list of all CLI tables and tokens, see the Cisco BTS 10200 Softswitch CLI Database.

Provisioning the SIP REFER Trigger

Before you provision the SIP REFER and SIP INVITE with Replaces features, provision the SIP REFER trigger in the Feature (feature), Call Agent Configuration (ca-config), and Service (service) tables.

Step 1 Provision the SIP REFER trigger in the Feature table by entering the following command.

```
add feature FNAME=REFER; TDP1=O_MID_CALL; TID1=REFER_TRIGGER; TTYPE1=R; TDP2=T_MID_CALL;
TID2=REFER_TRIGGER; TTYPE2=R; FEATURE_SERVER_ID=FSPTC235; DESCRIPTION=SIP REFER;
```

Step 2 Provision the SIP REFER service in the [default office service](#) (as described in the “Subscriber Features” section of the *Cisco BTS 10200 Softswitch Network and Subscriber Feature Descriptions*) by entering the following command. In this example, the default office service ID is 999, and <FNAMEx> is the next available feature for this service ID.



Caution

The Service table supports the specification of 10 features (FNAME1 through FNAME10) for a single service. Before issuing a command that specifies an FNAME in the Service table, ensure that you are not overwriting a previously configured feature. For the example in [Step 2](#), you can issue the command **show service id=999** to identify any FNAMES that might already be configured.

```
show service id=999;
add/change service id=999; <FNAMEx>=REFER;
```

- Step 3** If you have not already done so, provision the ca-config table to support a default office service ID by entering the following command. In a deployed system, the default office service ID might already exist; check this using the show command. In this example, the default office service ID is 999.

```
show ca-config TYPE=DEFAULT-OFFICE-SERVICE-ID;
add/change ca-config TYPE=DEFAULT-OFFICE-SERVICE-ID; DATATYPE=STRING; VALUE=999;
```

- Step 4** If desired, provision specific POP tables to support an office service ID by entering the following command. In a deployed system, the office service ID might already exist; check this using the show command. In this example, the office service ID is 777.

```
show pop id=citypop;
add/change pop id=citypop; office-service-id=777;
```

Provisioning the SIP REFER Feature

For SIP subscribers, you do not need to perform any additional provisioning to support the SIP REFER feature.

To provision the SIP REFER feature for SIP trunks, you must set tokens in the softsw-tg-profile and trunk-grp tables.

- Step 1** For a case in which Trunk A sends the BTS 10200 a REFER message that specifies the phone number for Trunk B in the Refer-To-URL, provision Trunk Group A as shown in the following command examples:

```
add softsw_tg_profile id=SS_TGA; protocol_type=SIP; refer-allowed=Y;
referred-by-reqd-on-refer=N;

add trunk_grp id=900; tg_type=SOFTSW; tg_profile_id=SS_TGA; softsw_tsap_addr=prica70:5070;
dial_plan=BASIC_DPP; call_agent_id=CA146;
```

- Step 2** Provision Trunk Group B, which receives the Invite-Referred message and may then hairpin it back to the BTS 10200, as shown in the following command examples:

```
add softsw_tg_profile id=SS_TGB; protocol_type=SIP; REPLACES_ALLOWED=Y;

add trunk_grp id=901; tg_type=SOFTSW; tg_profile_id=SS_TGB; softsw_tsap_addr=prica70:5080;
dial_plan=BASIC_DPP; call_agent_id=CA146;
```



Note

The default values for the softsw-tg-profile table tokens set in the preceding command examples are:

- REFER_ALLOWED=N;
- REPLACES_ALLOWED=N;
- REFERRED_BY_REQD_ON_REFERER=N;

(Optional) Provisioning Transfers to Arbitrary Domains as Specified in Refer-To URL

This section describes how to provision transfers to arbitrary domains.

- Step 1** You can support transfers to arbitrary domains as specified in a Refer-To URL. In the ca-config table, set the TYPE token to ALLOW_REFERER_TO_ANY_DOMAIN and the VALUE token to Y (yes). See the following command example:

```
add ca_config datatype=BOOLEAN; type=ALLOW_REFERER_TO_ANY_DOMAIN; value=Y;
```



Note The default setting for the VALUE token in the ca-config table is N (no).

- Step 2** If you set VALUE token in the ca-config table to Y, you must also add a dummy trunk group that represents a SIP DNS route trunk group. See the following command example:

```
add ca_config datatype=INTEGER; type=SIP_REFERER_DNS_TRUNK_ID;
value=<dummy trunk group id>;
```

- Step 3** If you added a dummy trunk group in [Step 2](#), you must provision the dummy trunk group. See the following command examples:

```
add softsw_tg_profile id=SS_DNS; protocol_type=SIP; REFER_ALLOWED=N; REPLACES_ALLOWED=Y;
REFERRED_BY_REQD_ON_REFERER=N;
```

```
add trunk_grp id=<dummy trunk group id>; tg_type=SOFTSW; tg_profile_id=SS_DNS;
softsw_tsap_addr=0.0.0.0; call_agent_id=CA146;
```

Provisioning the SIP INVITE with Replaces Feature

To configure the SIP INVITE with Replaces feature, you must set tokens in the feature, service, and ca-config tables.

- Step 1** To configure the Replaces feature in the Feature table, create the feature and set the appropriate triggers as shown in following example:

```
add feature fname=REPLACES; tdp1=T_EXCEPTION; tid1=REPLACES_TRIGGER; ttype1=R;
description=Replaces; feature_server_id=FSPTC235;
```

- Step 2** Provision the SIP Replaces service in the [default office service](#) (as described in the “Subscriber Features” section of the *Cisco BTS 10200 Softswitch Network and Subscriber Feature Descriptions*) by entering the following command. In this example, the default office service ID is 999, and <FNAMEx> is the next available feature for this service ID.



Caution

The Service table supports the specification of 10 features (FNAME1 through FNAME10) for a single service. Before issuing a command that specifies an FNAME in the Service table, ensure that you are not overwriting a previously configured feature. For the example above, you can issue the command **show service id=999** to identify any FNAMES that may already be configured.

```
show service id=999;
add/change service id=999; <FNAMEx>=REPLACES;
```

- Step 3** If you have not already done so, provision the ca-config table to support a default office service ID by entering the following command. In a deployed system, the default office service ID might already exist; check this using the show command. In this example, the default office service ID is 999.

```
show ca-config TYPE=DEFAULT-OFFICE-SERVICE-ID;
add/change ca-config TYPE=DEFAULT-OFFICE-SERVICE-ID; DATATYPE=STRING; VALUE=999;
```

- Step 4** You can provision specific POP tables to support an office service ID by entering the following command. In a deployed system, the office service ID might already exist; check this using the show command. In this example, the office service ID is 777.

```
show pop id=citypop;
add/change pop id=citypop; office-service-id=777;
```

- Step 5** For a case in which Trunk A sends an INVITE-with-Replaces message to the BTS 10200, provision Trunk Group A as shown in the following command examples:

```
add softsw-tg-profile id=SS_TGA; protocol-type=SIP; replaces-allowed=Y;

add trunk-grp id=900; tg-type=SOFTSW; tg-profile-id=SS_TGA; softsw-tsap-addr=prica70:5070;
dial-plan=BASIC_DPP; call-agent-id=CA146;
```

SIP Trunk to Voice-Mail Server

The following example shows how to provision a SIP trunk to a VM server located at vm.domainname.com:5060. Typically, local subscriber dial plans have a route defined to this trunk for the purpose of forwarding calls to the VM server.



Note

For general VM provisioning details, see the [“Voice Mail”](#) section in the *Cisco BTS 10200 Softswitch Provisioning Guide*.

- Step 1** Add the destination ID for the VM main subscriber.

```
add destination dest-id=tb16-local; call-type=LOCAL; route-type=SUB;
```

- Step 2** Add a dial plan profile and dial plan for a SIP trunk to the VM server.

```
add dial-plan-profile id=tb16;

add dial-plan id=tb16; digit-string=469-555; dest-id=tb16-local; min-digits=10;
max-digits=10
```

- Step 3** Add the softswitch trunk group profile for voice mail.

```
add softsw-tg-profile id=VM_Profile; protocol-type=SIP; voice_mail_trunk_grp=Y;
```



Note

You can set the diversion-header-supp token in the softsw-tg-profile table to Y. This instructs the VM server to select the target inbox based on the original called number in the Diversion header of the SIP message.

- Step 4** Add the SIP trunk group.



Note

This SIP trunk group serves several purposes. It is used (1) by the subscriber to access the VM server, (2) by the BTS 10200 to forward incoming calls to the VM server, and (3) by the VM server to notify the Cisco BTS 10200 Softswitch that a message is waiting for the subscriber.

```
add trunk-grp id=80032; softsw-tsap-addr=vm.domainname.com:5060; call-agent-id=CA146;
tg-type=softsw; tg-profile-id=VM_Profile; dial-plan-id=tb16
```


Step 5 Add a subscriber associated with the SIP trunk group. The value of dn1 is the DN that a subscriber can call to access the VM server.

```
add subscriber id=VMPilot; category=PBX; dn1=469-555-0101; tgn-id=80032;
sub-profile-id=sp1; term-type=TG;
```

Step 6 If your VM server does not support FQDN hostnames, you must provision a serving-domain-name record in the BTS 10200 through use of the IP addresses resolved from the sia-xxxCAAnn.domain address. Otherwise, the voice mail waiting indication (VMWI) status from the SIP VM platforms fails authentication with the BTS 10200.



Note This step is not necessary if your VM server supports FQDN hostnames.

The address, sia-xxxCAAnn.domain, consists of the following parts:

- sia- is a required field.
- xxx = site ID.
- CAAnn = CA ID, such as CA146.
- domain = a FQDN such as cisco.area777.com.

Enter the serving-domain-name record as follows:

- a. Determine the two IP addresses associated with the sia-xxxCAAnn.domain address. These are available in the DNS list created by the [Network Information Data Sheet \(NIDS\) Generator](#) that was supplied with your system. You can also query the system for these two IP addresses through the **nslookup** command on the EMS host machine.
- b. Add the two sia-xxxCAAnn.domain IP addresses to the serving-domain-name table:

```
add serving-domain-name domain-name=10.10.10.14; auth-reqd=n;
add serving-domain-name domain-name=10.10.11.14; auth-reqd=n;
```

Cluster Routing

SIP trunks are used in the cluster routing scenario. A cluster is a group of call management server (CMS) and media gateway controller (MGC) nodes that appear as a single logical CMS/MGC to the PSTN. For information on this scenario, see the “[Cluster Routing](#)” section in the *Cisco BTS 10200 Softswitch Routing and Dial Plan Guide*.

CMS-to-MGC Routing

SIP trunks are used for CMS-to-MGC routing. For information on this scenario, see the “[LERG, TNS, and Additional SIP Extensions for CMS-MGC Separation](#)” section in the *Cisco BTS 10200 Softswitch Dial Plan Guide*.

SIP Server Groups

This section describes the SIP server groups feature and explains how to use it. It includes the following topics:

- [Purpose of the SIP Server Groups Feature](#)
- [Provisionable Parameters Affecting SIP Server Groups](#)
- [Understanding SIP Server Group Operations](#)
- [Outbound SIP Messages That Apply to SIP Server Groups](#)
- [SIP Element Selection Algorithm](#)
- [Applications and Use Cases for SIP Server Groups](#)
- [Limitations on SIP Server Groups](#)
- [Provisioning SIP Server Groups](#)
- [Troubleshooting SIP Server Groups](#)

Purpose of the SIP Server Groups Feature

The SIP server groups feature provides the following system capabilities:

- Eliminates the need for the BTS 10200 SIP interface to perform DNS lookups for call processing. This can help avoid performance impacts on SIP call processing on the BTS 10200 as a result of DNS server latency. DNS server latency can occur due to transient network congestion.
- Provides an alternative to the DNS-SRV (RFC-3263) method for destination selection on the BTS 10200 SIP interface, while providing capabilities that extend beyond what DNS-SRV provides. The additional capabilities include:
 - A tree model approach to SIP element selection
 - Blacklisting of SIP endpoints that are unreachable
 - SIP element advance on 5XX SIP responses
 - Server groups for established dialog requests

**Note**

This feature requires you to provision all of the applicable DNS and SRV entries (the DNS and SRV entries for which this feature applies) directly on the BTS 10200, rather than on a centralized network DNS server. Before provisioning SIP server groups, perform a network review to determine whether this is desirable for your network.

Provisionable Parameters Affecting SIP Server Groups

The following provisionable parameters affect the behavior of this feature:

- SIP trunk—Defines an IP location in the SIP network with which the BTS 10200 SIP interface will communicate using SIP properties defined by the trunk profile. It associates to exactly one top provisioned Server Group or SIP Element for transport of outbound SIP messages.
- SIP element:

- In DNS-SRV—An SRV record (contains location properties of a remote SIP endpoint on the SIP network and is associated with a priority and weight)
- In server groups feature—A table in BTS 10200 EMS that represents a SIP contact point (endpoint) on the SIP network and contains destination and transport information (such as IP address, port and transport type)
- Server group—A table in BTS 10200 EMS used to define a collection of SIP element entries, and provides a means to build a server group tree hierarchy of priority and weight based server groups and SIP elements.
- Server group element—A table in BTS 10200 EMS used to link a server group to another server group or a server group to a SIP element. Each record is exactly one link. The link provides the connections in a server group tree hierarchy.

Understanding SIP Server Group Operations

Prior to Release 5.0, only a TSAP-ADDRESS field on a SIP Trunk Group record was available to determine the destination of a remote SIP endpoint. If this field was provisioned in an FQDN format, the BTS 10200 would perform a DNS lookup of the A-record for the FQDN. If DNS-SRV was enabled, the BTS 10200 would perform an SRV lookup and resolve the A-records for each server. Load balancing could be achieved by the use of the DNS-SRV feature.

**Note**

The FQDN is a string of characters to which in doing a DNS lookup yields an IP address.

DNS-SRV for SIP networks is defined in RFC-3263. It provides a method for locating SIP servers by allowing a client to resolve a SIP URI into the IP address, port, and transport protocol of the next hop-to contact. It also uses DNS to allow a server to send a response to a backup client if the primary client has failed. DNS lookups can impact the call processing performance of SIP calls on the BTS 10200 if transient network congestion causes periods of latency of these lookups.

The server groups feature provides an alternate method to DNS-SRV, removing the need for external queries to a DNS server. This would be of interest to customers that wish to avoid performance issues for outbound SIP trunk calls on the BTS 10200 SIP interface that might arise due to DNS latency.

Besides being an SRV alternative, this server groups feature provides capabilities beyond what DNS-SRV functionality provides, including:

- [Tree Model Approach to SIP Element Selection, page 3-51](#)
- [Blacklisting SIP Endpoints That Are Not Reachable, page 3-53](#)
- [SIP Element Advance On 5XX SIP Responses, page 3-54](#)
- [Server Groups for Established Dialog Requests, page 3-54](#)

Tree Model Approach to SIP Element Selection

The server groups feature incorporates the same priority and weight mechanisms as SRV to select the SIP destination for the call. In SRV, a list of SRV records is provided each with an associated priority and weight. Each record (or element) identifies the destination of a remote SIP endpoint. The example in [Table 3-1](#) is a representation of three SRV records in a DNS server.

Table 3-1 Set of Three SRV Records

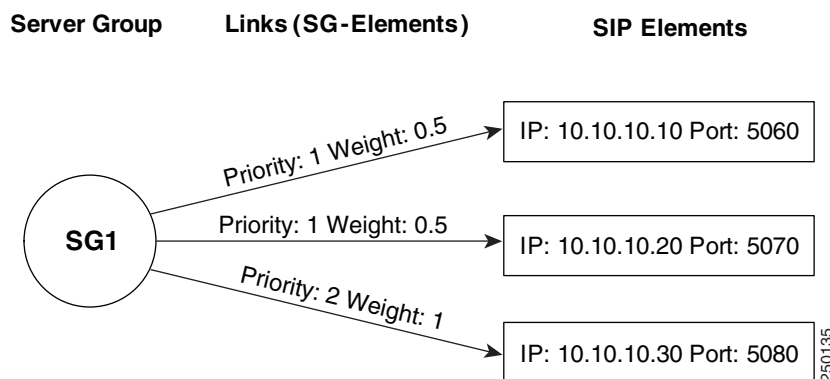
Record Number	IP Address	Port	Priority	Weight
1	10.10.10.10	5060	1	0.5
2	10.10.10.20	5070	1	0.5
3	10.10.10.30	5080	2	1

**Note**

All of the IP addresses used in this document are examples, and are used for illustration purposes only.

The server group feature represents the same information in a different way. It separates the provisioning of the priority and weight parameters from the provisioning of the IP (TSAP) parameters. As described in this document, this separation allows for greater flexibility in the selection of destination elements.

The server groups feature provides the ability to provision a list of records as individual SIP elements. [Figure 3-7](#) represents the SRV records above using the server groups feature. Because a collection of SIP elements is required, a server group (SG1) is defined to group SIP elements. SIP elements are defined and linked to a server group. The priority and weight value for each SIP element is a property of the link to the element. SIP elements can be linked under other server groups using other links with different priorities and weights.

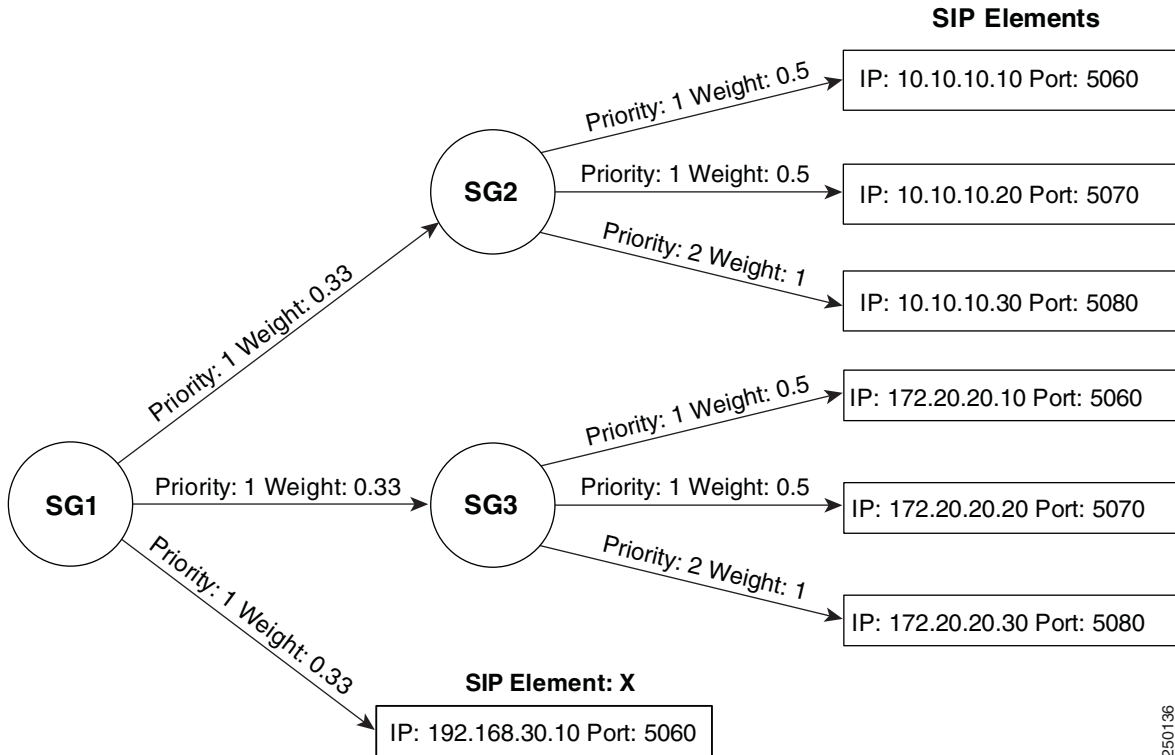
Figure 3-7 Basic Server Group Concept

The following CLI database tables are used to define these server group components:

- Server groups—The SIP Server Group (sip-server-group) table
- SIP elements—The SIP Element (sip-element) table
- Links—The SIP Server Group Element (sip-sg-element) table

A server group can also be linked under another server group and can contain links to any number of server groups and SIP elements to form a server group tree. A SIP element is considered a leaf node because nothing can be linked under it. [Figure 3-8](#) illustrates a server group tree with server group SG1 at the top of the tree having a collection of server group SG2, SG3 and SIP element X. Server groups SG2 and SG3 each have a collection of three SIP elements each. Each link has an associated a priority and weight value including links between server groups.

Figure 3-8 Tree Hierarchy of Server Groups



When a SIP request fails, the chosen SIP element is marked as failed, and an algorithm is used to advance to the next SIP element. Server groups may be provisioned to advance on the next SIP element in the current server group, or fail the current server group and advance to the next SIP element in the next server group. SIP element advance can also be provided for specific 5XX responses. This gives more flexibility in provisioning load sharing network models over DNS-SRV, for example N+1 failover models.

Blacklisting SIP Endpoints That Are Not Reachable

The server groups feature has the ability to blacklist (mark as failed) SIP elements that are not available for use. The server groups feature is used with the status monitoring feature to facilitate this. When a SIP endpoint is unreachable due to a request timeout, the associated SIP element is blacklisted and placed operationally out of service. The next SIP element chosen for the transaction will ignore this SIP element in its selection determination. In addition, the SIP element selection mechanism will not consider this SIP element for subsequent SIP transactions in this SIP call or other SIP calls until the audit mechanism restores the SIP element into service.

This feature includes support for the Retry-After header. When this header is received in a SIP response, the associated SIP element is placed operationally out of service for the duration identified in the Retry-After header. All subsequent SIP transactions for this call and other SIP calls will not select this SIP element until the SIP element is restored back into service at the end of the Retry duration.

SIP Element Advance On 5XX SIP Responses

In SRV, the SIP response code 503 triggers an advance to the next SRV record. The server groups feature can be provisioned to advance to the next SIP element for any 5XX class response. A set of 5XX responses can be provisioned for each server group.

Server Groups for Established Dialog Requests

DNS SRV provides remote SIP endpoint location information for the purpose of selecting a destination when creating and sending an initial outbound INVITE request. The server groups feature can be provisioned for an established contact or top-most route received in a SIP response. This allows the BTS 10200 to send established dialog SIP requests using server groups.

Server groups can also be used for sending response retransmissions of an INVITE or re-INVITE request. In this case, a server group is provisioned for the top-most VIA header received in the initial INVITE request.

**Note**

Dialog requests impose uncommon requirements on downstream SIP network servers, for example, the need for the server to be aware of each SIP transaction.

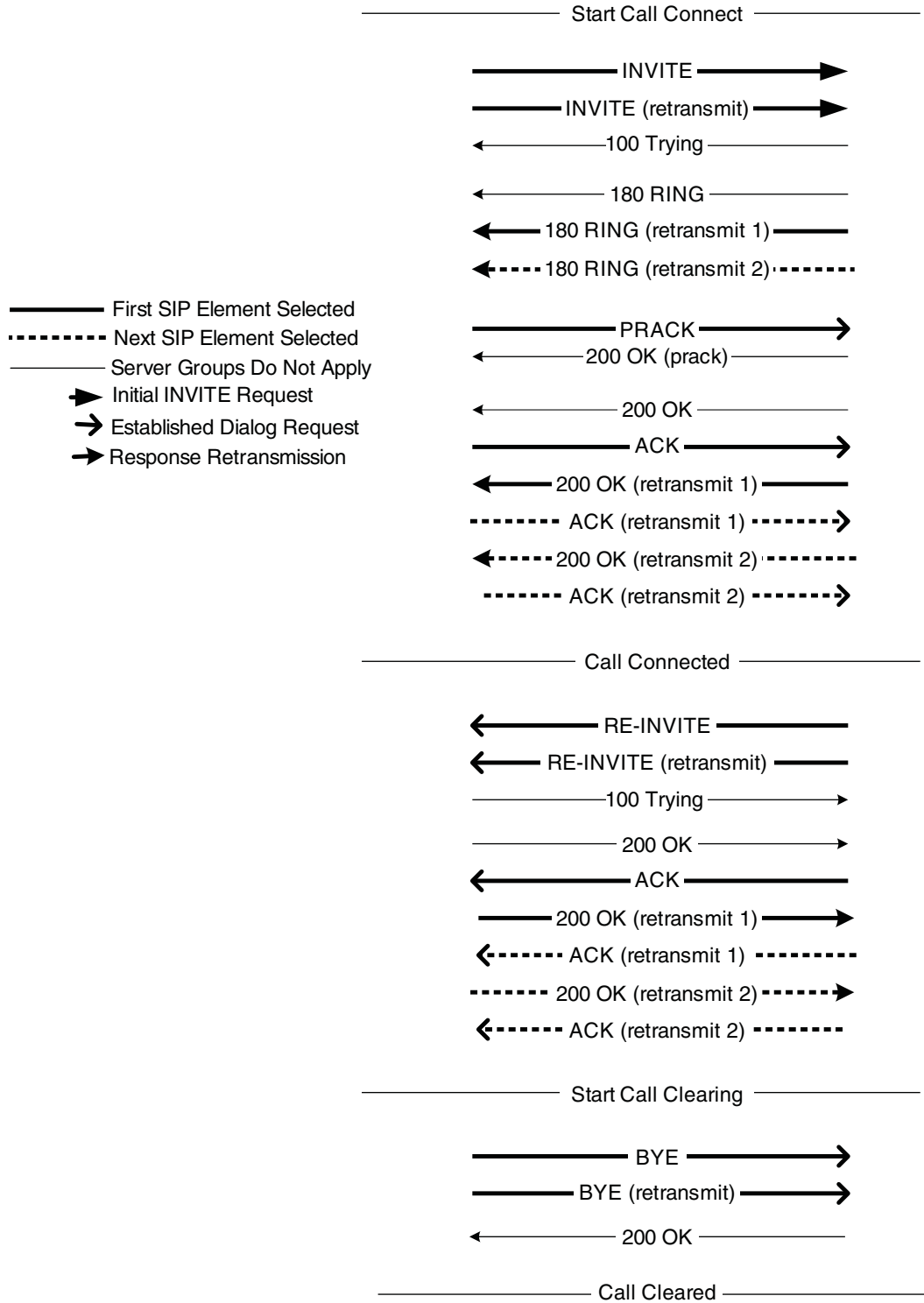
Outbound SIP Messages That Apply to SIP Server Groups

The server groups feature can be applied to the following SIP messages from the BTS 10200 SIP interface:

- Initial INVITE request (dialog initiating INVITE request).
- SIP requests sent using the established contact (or route) by the remote SIP device such as the PRACK, ACK, re-INVITE, and BYE requests. Sending ACK on failed response to INVITE or re-INVITE does not apply and sending CANCEL does not apply.
- Response retransmissions of a reliable 18X, or response retransmissions of a final response for INVITE or re-INVITE. The first response transmission sent does not apply to server groups since the SIP rules state that it must be sent to the received IP address. The server groups feature uses the top-VIA header FQDN of the request received.

Figure 3-9 illustrates SIP messages in context of an example SIP call and how they relate to server groups.

Figure 3-9 Server Groups In Example SIP Call



250137

The following subsections describe the application of server groups to each of these types of SIP messages:

- [Server Groups for Sending Initial Invite Request, page 3-56](#)
- [Server Groups for Sending Established Dialog Requests, page 3-57](#)
- [Server Groups for Sending Response Retransmissions, page 3-59](#)

Server Groups for Sending Initial Invite Request

Server groups may be provisioned for use when sending an initial INVITE request. To enable server groups in this case, the SIP trunk group used to route the outbound INVITE message for server groups is provisioned with its SIP-SERVER-GROUP-ID field set to the ID of a server group defined in the SIP Server Group (sip-server-group) table. When a server group is provisioned on this trunk group, the SOFTSW-TSAP-ADDR field in the trunk group is not set.

Before the initial INVITE is sent, the BTS 10200 SIP interface applies the element selection procedure to the server group and subgroups in conjunction with weights, priorities and availability to choose a SIP element.

If no SIP elements are available, the call is released locally without any message sent out the SIP network. No SIP elements are available when the server group and subgroups do not have links provisioned to SIP elements. A SIP element provisioned within the server group is also unavailable when the elements operational state is not in service.

When a SIP element is chosen, the information contained in the SIP element is used to send the INVITE request. This information includes the IP address, port, transport type and type of service (TOS) values.

The hostname of the INVITE Request URL is set to the hostname provisioned in that trunk group defined by the REQURI-HOSTNAME field. If that field is not set, then the hostname is set to the SIP-SERVER-GROUP-ID.

If the initial INVITE request is retransmitted to its limit without a response causing a transaction timeout, the remote SIP endpoint is determined to be unreachable. The associated SIP element is then marked operationally OOS (assuming status monitoring is enabled on the SIP element) so that subsequent SIP requests in this call or other calls do not choose it.

If the server group is provisioned to advance to the next SIP element in the server group (failover-policy-on-timeout=alternate-element), the next SIP element is chosen in the server group by re-applying the same SIP element selection but without including the previous SIP element in the list of possible selections.

If the server group is provisioned to advance to next server group (FAILOVER-POLICY-ON-TIMEOUT = FAIL_SERVER_GROUP), the next SIP element is chosen by re-applying the selection algorithm from the parent server group while ignoring this server group in the list of possible selections. This means that any SIP elements available in the server group are not used. A SIP element will be chosen from another server group.

The BTS 10200 SIP interface will advance to the next SIP element if the initial INVITE request sent results in a 5XX class response and that response is provisioned in the SIP Server Group Failover Policy (sip-sg-failover-policy) table. If so provisioned, the SIP element is marked unavailable only for this INVITE request so the element is not out of service (assuming the 5XX response did not arrive with a Retry-After header). Other transactions or calls may select this SIP element. The ACTION field in the table has the values ALTERNATE-ELEMENT and FAIL-SERVER-GROUP. They apply the same logic discussed above for the request timeout case. The default handling of the 5XX class response is the same as other failure responses which in this case translates to a call release back to the originator.

A SIP element advance results in a re-submission of the initial INVITE request as a new INVITE transaction. A re-submitted INVITE request is identical to a previous request with the following exceptions:

- Sent using the IP address and port information of the next SIP element.
- Sent using the TOS values of the next SIP element.
- C-Sequence number is incremented.
- VIA header branch ID is modified.
- The transport (UDP, TCP) indications on the message are modified (if changed) to reflect the setting of the next SIP element chosen.

If no more SIP elements are available in the server group tree to send or resubmit the request, the call is released back towards the originator.

Server Groups for Sending Established Dialog Requests

Established dialog requests include ACK, PRACK, re-INVITE, and BYE. In general, these requests use the SIP contact header sent by the remote SIP endpoint to target the destination. However, if a route is established in the dialog, then the top-most route header is used to target the destination.

To enable server groups for sending established dialog SIP requests from BTS 10200, the hostname of the contact header or top-most route header provided by the SIP network must match a server group ID in the SIP-SERVER-GROUP table (the matching is case insensitive). This requires matching provisioning of a server group on both the BTS 10200, and the remote SIP device for use in its contact or Route header. The top-most Route header takes precedence if it exists.

If a server group match is found, and sending a request is required, the SIP element selection algorithm will use that server group and its subgroups to select a SIP element. This server group may be different than the one provisioned to send an initial INVITE request. Therefore, this server group need not be referenced by a SIP trunk group.

Once the SIP element is chosen for the request, the transmission-related information contained in the SIP element is used to send the request. This information includes the IP address, port, TOS values and transport type. The hostname of the Request URL of the request is set to the hostname provisioned in that trunk group defined by the REQURI-HOSTNAME field. If that field is not set, then the hostname is set to the SIP-SERVER-GROUP-ID.

A re-submitted request is identical to the previous request with the following exceptions:

- Sent using the IP address and port information of the next SIP element.
- C-Sequence number is incremented.
- VIA header branch ID is modified.
- Sent using the TOS values of the next SIP element.

The Server Groups feature is not used to send outbound established dialog requests in the following cases:

- A SIP Subscriber call.
- If the contact or top-most route received by a remote SIP device has hostname in IP address format.
- If the contact or top-most route received by a remote SIP device has hostname in FQDN format with an explicit port number postfix specified.
- If the contact or top-most route received by a remote SIP device has hostname in FQDN format (without port) but does not match a provisioned server group.

- Sending a CANCEL request.
- Sending an ACK for failed responses to INVITE or re-INVITE.
- Subsequent INVITE requests sent in response to 3XX responses or REFER requests received do not apply to server groups.

When server groups do not apply and the SIP contact or route hostname received is an FQDN format, the BTS 10200 will perform DNS lookup on the hostname to send the request to its destination.

If the BTS 10200 sends an initial INVITE, the first SIP request sent using the established contact would be the ACK message in the case of an unreliable provisional response call, or the first PRACK in the case of a reliable provisional response call. If the first SIP request using established contact could not be sent because there was no SIP elements available in the server group or its subgroups, the call is released locally without sending the SIP request. The remote SIP endpoint will retransmit the reliable 200 or 18X respectively, then release the call.

If the BTS 10200 receives an initial INVITE, and a server group is identified by the hostname from the contact or top-most route header of the INVITE, and that server group or subgroup does not have SIP elements available, a 500 response is sent with the reason phrase: “remote contact server group not available”. The call is released without being processed and no billing record is available.

When sending an established dialog request using server groups, if no SIP elements are available to send the request, the request will be forced out using a ‘best effort’ approach by applying the last SIP element used to send the previous established dialog request. This is used regardless of the current operational or administrative state of the SIP element. If this request is timed out, or receives a 5XX with failover policy, there is no SIP element advance provided and the request is declared failed.

The following are examples of how the last SIP element is used:

- An initial INVITE is sent and a 200 OK response is received with a remote contact. The contact hostname is found to be a server group and a SIP element is selected to send the ACK message. While the call is connected, the BTS 10200 SIP interface releases the call and prepares to send a BYE message but the server group has no SIP elements available. Since the BYE should be sent in at least one attempt, the last used SIP element (the one chosen to send the ACK) is used to send a BYE.
- An initial INVITE is received and a server group is identified by the hostname from the contact or top-most route header of the received INVITE, a SIP element is chosen from the server group and book-marked. While the call is connected, the BTS 10200 SIP interface releases the call and prepares to issue a BYE message but the server group has no SIP elements available. Since the BYE should be sent in at least one attempt, the SIP element bookmarked from the received INVITE is used to send a BYE. However, if a SIP element was chosen to transmit a previous request such as a re-INVITE, If the BTS 10200 SIP interface prepares to issue a re-INVITE message but the server group has no SIP elements available, but a previous re-INVITE sent selected and used a SIP element, then that last used SIP element is applied to send this re-INVITE request.
- An initial INVITE is sent and a reliable 18X response is received with a remote contact. The contact is found to be a server group and a SIP element is used to send the PRACK message. Once the 200 OK is received for the call, the BTS 10200 SIP interface prepares to issue an ACK message but the server group has no SIP elements available. Since the ACK should be sent in at least one attempt, the last used SIP element (the one chosen to send the PRACK) is used to send the ACK. If in sending that initial PRACK failed because no SIP elements were available, the call would have been released locally.

For sending established dialog requests other than ACK, the remote SIP endpoint is determined to be unreachable if the request is retransmitted to its limit causing a transaction timeout. In that case, the associated SIP element is marked operationally out of service (assuming status monitoring is enabled on the SIP element) so that subsequent SIP requests in this call or other calls do not choose it.

If the server group is provisioned to advance to the next SIP element in the server group (failover-policy-on-timeout=alternate-element), the next SIP element is chosen in the server group re-applying the selection procedure. The failed SIP element is not included in the list of possible selections.

If the server group is provisioned to advance to next server group (FAILOVER-POLICY-ON-TIMEOUT = FAIL_SERVER_GROUP), the next SIP element is chosen by re-applying the selection from the parent server group (without including the failed server group) in the list of possible selections.

For the ACK request (for successful INVITE response), SIP element advance is applied to each ACK re-transmission. The rules of SIP require the ACK to be sent each time a final response to INVITE is received. Therefore, SIP elements chosen to send the ACK request are never marked as unreachable (or failed) for that request transaction. This allows re-use or rotation of the SIP elements in the server group as long as ACK re-transmissions are required.

The BTS 10200 SIP interface will advance to the next SIP element if the established dialog request sent results in a 5XX class response and that response is provisioned in the sip-sg-failover-policy table. If so provisioned, the SIP Element is marked unavailable only for this request so the element is not out of service (assuming the 5XX response did not arrive with a Retry-After header). Other transactions or calls may select this SIP element. The ACTION field in the table has the values ALTERNATE-ELEMENT and FAIL-SERVER-GROUP. They apply the same logic discussed above for the request timeout case. The default handling of the 5XX class response is the same as other failure responses.

If a BYE request is sent using server groups and it results in a 5XX received, SIP element advance is not provided regardless of the provisioning of sip-sg-failover-policy table.

In the case of an established dialog request sent other than ACK, if the request results in a SIP element advance due to request timeout or provisioned failover policy of a 5XX response, and there are no more SIP elements available, the request fails. The BTS 10200 SIP interface applies the logic for that request and response transaction. For example, in the case of sending re-INVITE for media change, if the request failed, only the media change request fails since the usual logic applies. The call remains active.

Server Groups for Sending Response Retransmissions

Server groups may be provisioned for sending reliable 18X response or final response retransmissions for INVITE or re-INVITE request received. The first response transmission sent does not apply to server groups since the SIP rules state that it must be sent to the received IP address. Response retransmissions are sent using the top-most VIA hostname received in the initial INVITE.

To enable the server groups feature for these responses, the hostname in the top-most VIA header in the initial INVITE request received must be an FQDN format without a port specified. This hostname must match a server group ID in the sip-server-group table. This requires matching provisioning of a server group on both the BTS 10200, and the remote SIP device sending the topmost VIA header.

If a server group is not found, DNS lookup on the FQDN hostname is used to send the response retransmission.

If a server group is found, and SIP elements are available, the SIP element selection algorithm will use that server group and its subgroups to select a SIP element and send a response re-transmission using the information of that chosen SIP element. That information includes IP address, port, TOS values and transport type.

If a server group is found, and there are no SIP elements available, the remaining retransmissions of the reliable 18X or 200 are sent using the destination IP address of the initial response transmission.

The SIP element advance is applied to each response re-transmission. The rules of SIP require the response retransmissions to be sent at configured time intervals for a configured duration. Therefore, SIP elements chosen are never marked as unreachable or failed for these set of response retransmissions.

This allows re-use or rotation of the SIP elements in the server group for as long as response re-transmissions are required. For this reason, these SIP elements are never placed operational out of service.

If the server group is provisioned to advance to next server group (FAILOVER-POLICY-ON-TIMEOUT = FAIL_SERVER_GROUP), the next SIP element is chosen by re-applying the selection from the parent server group (without including the failed server group) in the list of possible selections.

SIP Element Selection Algorithm

When the system selects a SIP element from a server group, it chooses links of higher priority over links of lower priority for that server group. If the links are the same priority, the weight values are used to choose a link within the same priority. The higher the weight value relative to the other weight values in the link set, the more probability that link and associated SIP element is chosen. For example, if a link has a weight that represents 80 percent of the total sum of all weights in the group, then it is expected that the link and associated SIP element is chosen 80 percent of the time. If all weights are equal then an even distribution of element selections are applied across the link set.

Prior to sending a SIP message, a server group and SIP element are selected. Once the message is sent, conditions may require the BTS 10200 SIP interface to advance the next available SIP element. Each server group is provisioned for one of two modes: 1) advance to the next element in the server group, or 2) advance to the next server group.

If provisioned to advance to the next server group, the next selection will skip any remaining SIP elements and subgroups in the current server group and look for SIP elements in the next server group using a priority and weighted selection from the parent server group.

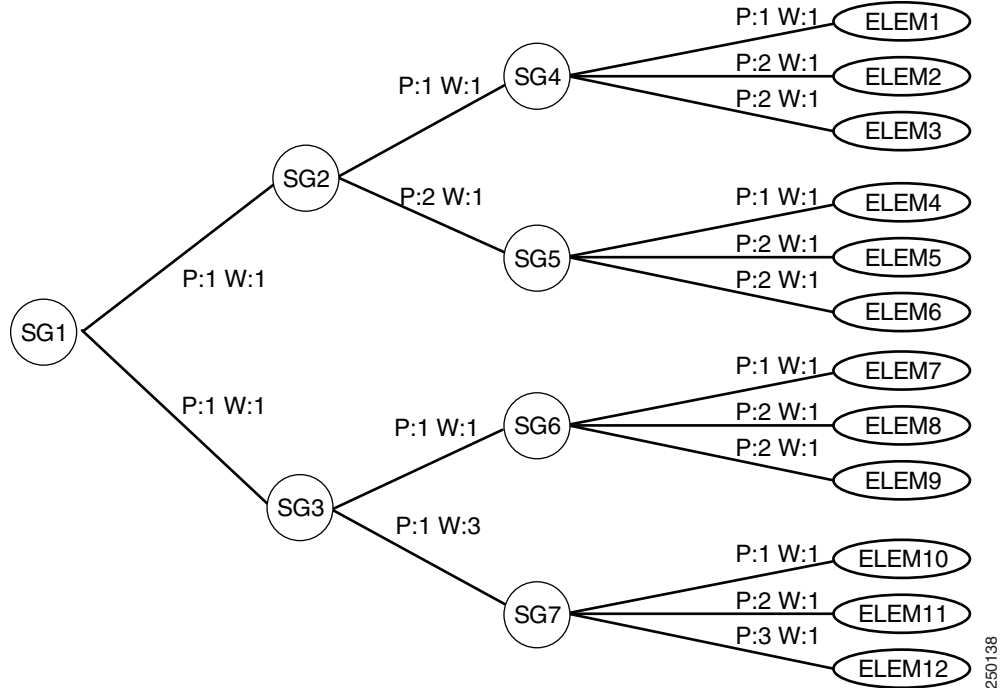
If the server group is provisioned to advance to the next SIP element in the server group, all SIP elements linked under that server group or subgroups are selected for SIP message transmission before any SIP elements are chosen from other server groups at the same level.

When a server group is selected, a SIP element under that server group is not eligible for selection if the SIP element operational state or the administrative state is out of service. A server group is ignored in the selection process if its administrative state is out of service. For more information on the OAM aspects of this feature, refer to the [“Understanding SIP Server Group Operations”](#) section on page 3-51.

For SIP element advance, a SIP element is not eligible for selection if it was previously selected for that transaction. The exception is sending ACK and 18X reliable and 200 response re-transmissions because the SIP rules require those to be sent. In this case, previously selected SIP elements may be re-selected.

[Figure 3-10](#) illustrates an example server group tree and is used to show how SIP element selection works. The tree contains 7 server groups and 12 SIP elements arranged with server group SG1 forming the top of the tree. Server groups from SG4 to SG7 each have 3 SIP elements (ELEM) each. The priority (P) and weight (W) values are defined and shown on each link of the tree. The SIP element selection algorithm starts from the top of the tree SG1.

Figure 3-10 Example Server Group Tree for SIP Selection



The following subsections describe how the selection algorithm works:

- [Example 1—Server Groups Provisioned to Advance to Next SIP Element in the SG, Initial INVITE, page 3-61](#)
- [Example 2—Server Group Provisioned to Advance to Next Server Group, page 3-64](#)
- [Transport Type for SIP Element Selection, page 3-64](#)

Example 1—Server Groups Provisioned to Advance to Next SIP Element in the SG, Initial INVITE

In this example, all server groups in this tree are provisioned to advance to the next SIP element in the server group (failover-policy-on-timeout=alternate-element in the sip-server-group table), and this SIP element selection is for initial INVITE outbound.

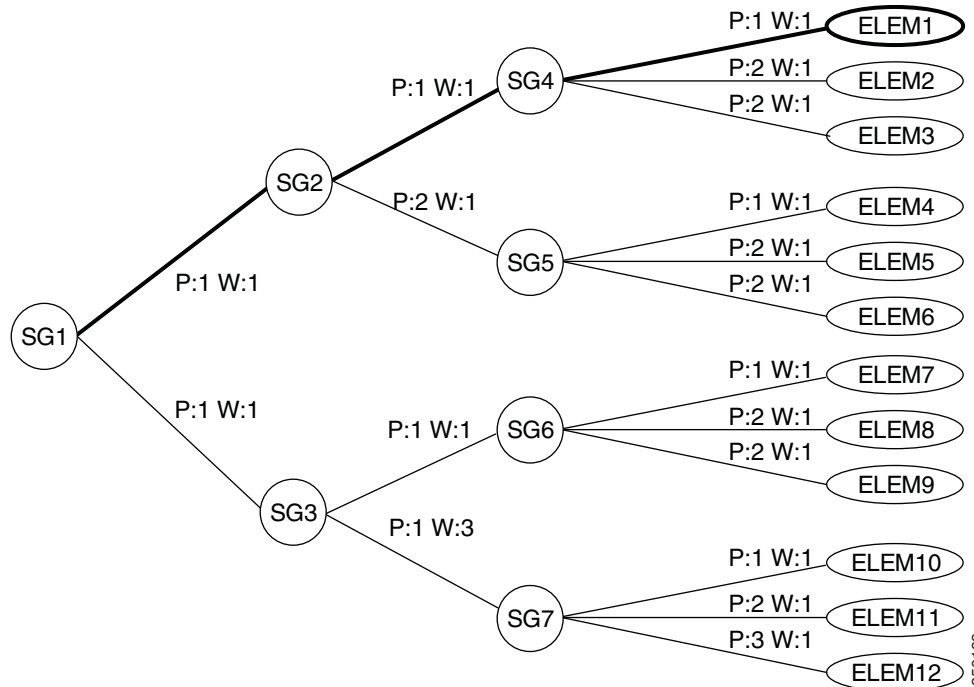
Choosing the First Available SIP Element

The SIP selection procedure operates as follows to choose the first available SIP element:

1. Selection starts at SG1.
2. Both links from SG1 have the same priority and weight. Each link has a 50 percent chance of being selected.
3. The server group SG2 is chosen at random.
4. At SG2, the link to SG4 has a higher priority than SG5 so SG4 is chosen.
5. At SG4, the link to ELEM1 has a higher priority than the other links, so ELEM1 is chosen.

The resultant path is shown in [Figure 3-11](#).

Figure 3-11 Path to SG4 to ELEM1



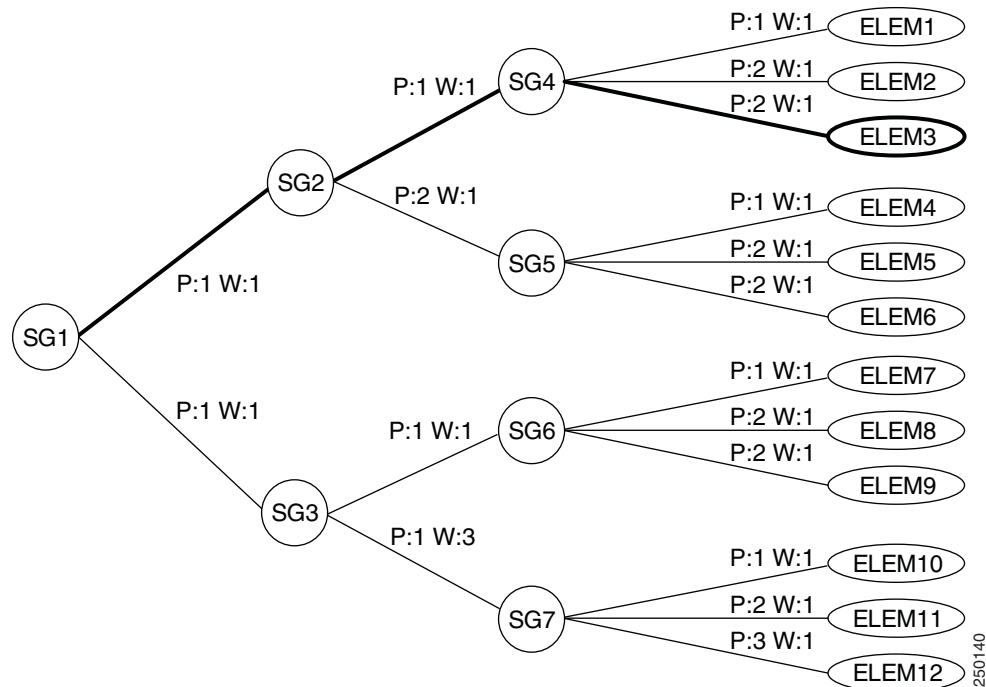
Choosing the Next Available SIP Element after First Element Times Out

After sending the SIP INVITE request using the SIP element ELEM1, a request timeout requires a SIP element advance. To choose the next available element, the following occurs:

1. The SIP element advance starts at the current server group SG4.
2. Since there are no more priority 1 links, links are considered using the next priority level. In this case, priority 2. The two links at priority 2 are of equal weight so there is a 50 percent probability of choice between SIP element ELEM2 and ELEM3. If ELEM2 is chosen, and a request timeout prompts a subsequent element advance, then SIP element ELEM3 is selected next.

The resultant path is illustrated in [Figure 3-12](#).

Figure 3-12 Path to SG4 to ELEM3



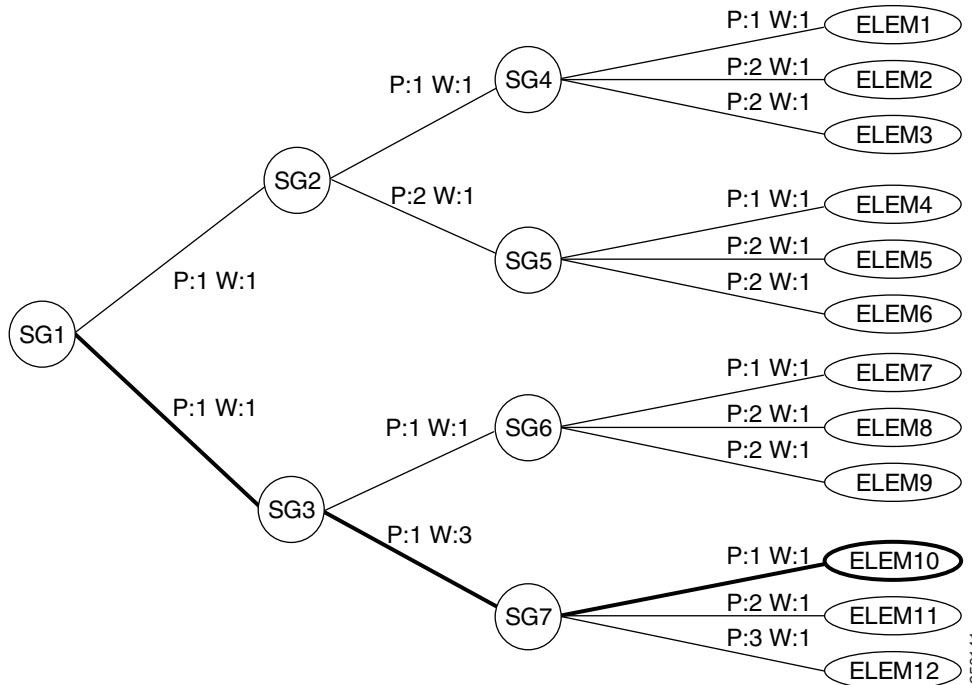
Choosing Additional Available SIP Elements after Multiple Elements Time Out

If a SIP element advance is required from SIP element ELEM3, then the next SIP element is chosen as follows:

1. Since all SIP elements under SG4 have been considered for selection. The selection mechanism moves back up the tree to SG2.
2. Since not all SIP elements have been considered under SG2, the selection would move towards SG5, but all SIP elements under SG5 are currently unavailable. In this case, the selection moves back to SG1.
3. The selection moves from SG1 to SG3 because all available SIP elements under SG2 were already considered.
4. At SG3, the links are of equal priority, but because of weight values, the link toward SG7 has 75 percent (3 out of 4) more probability of choice. In this case, the most likely SG7 is chosen.
5. At SG7, the three links are of different priority. The highest priority is chosen first (priority 1) so SIP element ELEM10 is chosen.
6. If the SIP request using SIP element ELEM10 responded with a 200 OK, then SIP element selection is completed for this request transaction.

The resultant path is illustrated in [Figure 3-13](#).

Figure 3-13 Path to SG7 to ELEM10



Example 2—Server Group Provisioned to Advance to Next Server Group

When a server group is provisioned to advance to the next server group rather than SIP element, and SIP element advance is required, the selection mechanism will look for SIP elements in the next server group applying a priority and weighted selection from the parent server group and ignore the failed server group. This policy is provisioned as `failover-policy-on-timeout=fail-server-group` in the `sip-server-group` table.

Assume the previous SIP selection procedure but having server groups SG2, SG4 and SG5 provisioned to advance to the next server group (instead of a SIP element within the same group). Consider the first SIP element to be chosen is ELEM1 and the selection mechanism engages to choose the next SIP element. The following procedure occurs:

1. Even though SIP elements ELEM2 and ELEM3 are available for use, an advance from any one SIP element from SG4 results in skipping the rest of SG4.
2. The SIP selection is applied at SG2. But because SG2 is also provisioned to advance to the next server group, other server groups and SIP elements available under SG2 are ignored and the selection immediately moves back to SG1.
3. If SG1 was also provisioned to advance to next server group, SG3 would not be attempted and the call would fail. However, it is provisioned to advance to the next SIP element, so the selection algorithm traverses down to SG3 and continues down SG6 or SG7.

Transport Type for SIP Element Selection

When an initial INVITE request is sent using server groups, a SIP element is selected and applied. The selection algorithm chooses a SIP element based on weight and priority regardless of the transport type (TCP/UDP) of a SIP element. Once a SIP element is selected, the provisioning setting for the transport

is applied to the outbound INVITE request. The transport value is one of the following values: ‘TCP’, UDP, or UDP only. If a SIP element advance occurred, the subsequent INVITE request sent would apply the transport setting of the next SIP element. This setting may be different from the previous SIP element used.

The SIP element selection mechanism considers transport type when sending established dialog requests, or sending response re-transmissions using server groups.

The transport type for established dialog requests is specified by the remote SIP device during the initial INVITE request transaction either in the top-most Route header. If the Route header does not exist, then the transport is specified in the Contact header.

The transport type for response re-transmissions is specified in the top-most VIA header of the received INVITE request.

The transport can be one of three values: UDP, TCP, or nothing (no transport) specified. The following considerations apply:

- If a UDP transport type is specified by the remote SIP endpoint, the SIP element selection mechanism will not select any SIP elements in the server group tree that are provisioned with a TCP transport type. Only SIP elements provisioned UDP or UDP only are eligible for selection.
- If a TCP transport type is specified, SIP elements are not selected unless provisioned with the TCP transport type. Once TCP is selected, no fallback to UDP is possible for this transaction.
- If the remote SIP endpoint did not specify a transport type, a SIP element is selected based on priority and weight regardless of transport provisioned. Either TCP or UDP may be selected.

If a transport type of TCP is specified by the remote SIP element, but all SIP elements in the server group tree are provisioned with transport types of UDP or UDP only, then the call will fail since no TCP SIP elements exist.

Applications and Use Cases for SIP Server Groups

This section describes several applications and use cases. These examples are intended to provide some insight into the use of the SG feature. If you need additional details on any applications for your network, contact your Cisco account team.

The following applications are described in this section:

- [Basic SIP Network Domain, page 3-65](#)
- [Server Groups for Outbound SIP Calls to a Proxy Farm, page 3-66](#)
- [Server Groups for SIP Requests to SBC Endpoints, page 3-67](#)
- [Server Groups for Response Retransmissions to a Proxy Farm, page 3-68](#)

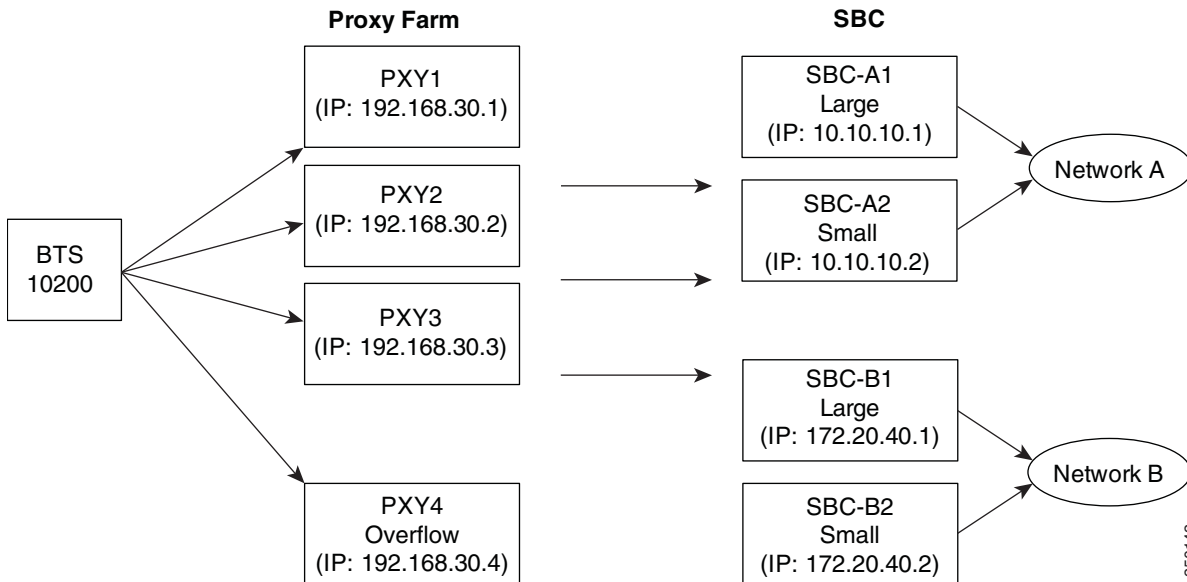
Basic SIP Network Domain

[Figure 3-14](#) shows an example of a BTS 10200 operating within a SIP network and trust domain. When a SIP call is originated by the BTS 10200 that is destined to another domain, the call is handled by one of the domains session border controllers (SBC) to exit the network. Before the call arrives to an SBC, it is first handled by a SIP proxy. In this case, a collection of proxies operate together as a farm. The proxies provide load sharing and routing of SIP calls. In this example, there are exactly four proxies in the farm. Three of these proxies PXY1, PXY2, and PXY3 evenly distribute the calls across each other as primary proxies. The fourth proxy provides overflow redundancy. If all primary proxies become

unreachable or simultaneously suffer transient congestion, calls will overflow to proxy 4 (PXY4) until at least one primary recovers. If any SIP call attempt towards a primary fails then the overflow proxy is chosen for the resubmit request.

Four SBC's provide gateways to adjacent networks labeled A and B. Each network has 2 SBC's assigned and provide load sharing between each other. If one goes down or suffers transient congestion, the other handles all the SIP calls. Each pair of SBC load shares the traffic on a 2 to 1 ratio because SBC1 is larger and can handle more calls than SBC2.

Figure 3-14 Example of a SIP Network Domain



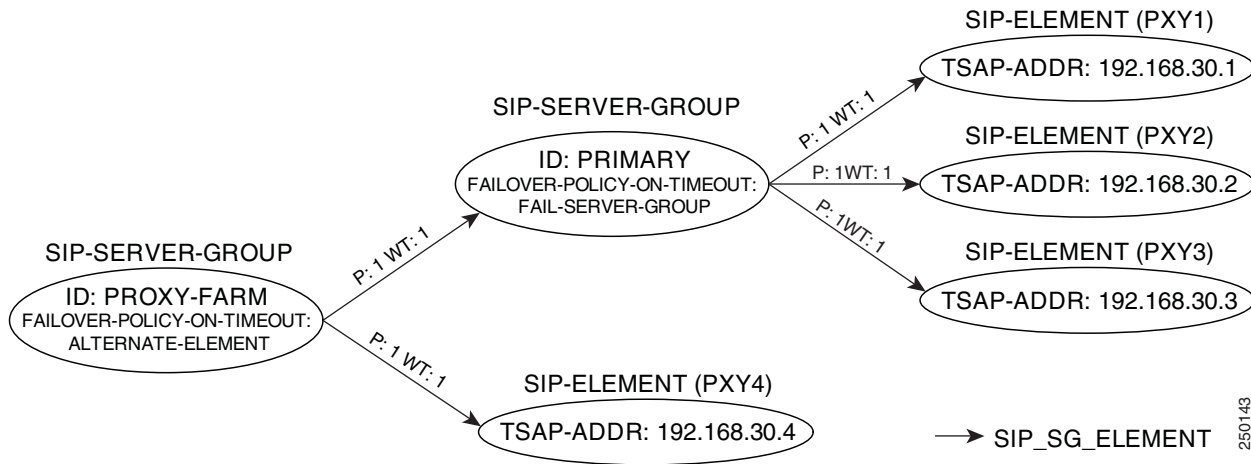
Server Groups for Outbound SIP Calls to a Proxy Farm

Figure 3-15 shows an example of SGs for outbound SIP calls to a proxy farm. It shows how the proxy farm shown in Figure 3-14 can be provisioned as server groups allowing the BTS 10200 to send SIP calls to the farm while applying the load sharing and overflow model. The top-most server group is provisioned with the ID of PROXY-FARM. This would be provisioned in the SIP-SERVER-GROUP-ID field of a SIP trunk group (TRUNK-GRP with TYPE=SOFTSW). This would be the SIP trunk group chosen by the BTS 10200 routing system when sending SIP calls to the proxy farm. Because server groups are provisioned, an operational SIP element would be chosen from this server group tree for each SIP call.

The link (SIP-SG-ELEMENT) to the server group named PRIMARY is set to a higher priority than the link to the SIP element PXY4 overflow proxy. This allows all SIP calls to select SIP elements (PXY1, PXY2, PXY3) under the PRIMARY server group if at least one or more primary proxies are available. Since the links to the three primary proxies from the PRIMARY server group are equal in priority and weight, the SIP elements are chosen with even distribution allowing for an even load sharing of calls across the proxies. If one proxy becomes unavailable, the other two primaries load share evenly across them. If all primary proxies become unreachable, the priority 2 link from the top server group PROXY-FARM and associated SIP element PXY4 is chosen.

Because the PRIMARY server group is provisioned to fail the server group on request failure due to timeout, if sending a SIP request results in a SIP element advance, the SIP element PXY4 is immediately chosen as the next SIP element regardless of how many other SIP elements were available under the PRIMARY server group. This allows PXY4 to handle overflow for resubmission of failed SIP calls. Other available primary proxies will not handle the resubmissions.

Figure 3-15 Example of Server Groups for Outbound SIP Calls to a Proxy Farm



Server Groups for SIP Requests to SBC Endpoints

Figure 3-16 shows an example of SGs for SIP Requests to SBC endpoints.

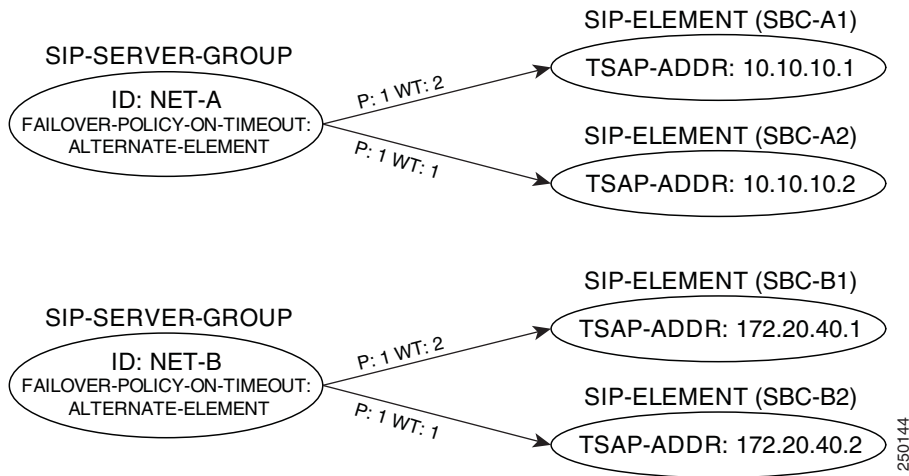
When calls are established between the SBC's and the BTS 10200, the SBC's provide an established contact URI in the SIP Contact header. The diagram below shows how server groups can be provisioned on BTS 10200 to provide the proper load sharing and redundancy for sending established dialog requests such as re-INVITE or BYE from the BTS 10200 directly to the SBC.

In this case, a server group is required for each network. The first server group (NET-A) contains two SIP elements one for each SBC to Network-A: SBC-A1 and SBC-A2. Links to these SIP elements have the same priority, but the link to SBC-A1 has a higher weight value (2 to 1) to provide that ratio of selection per SIP request compared to the link to SBC-A2 because SBC-A1 handles more calls. If one SBC-A becomes unreachable, the other SBC-A is chosen because of the failover policy provisioned for the server group. Similarly, the server group for Network-B is set up the same way.

Consider sending a re-INVITE request to Network-A. Most likely the SIP element SBC-A1 is chosen, and the re-INVITE is sent to the IP address for SBC-A1. If the re-INVITE request has a timeout on retransmissions, the next SIP element is chosen: SBC-A2. A re-INVITE is re-submitted to the IP address of SBC-A2. In order for server groups to work in this example, the SBC pair must be aware of each others calls and call state in order to each process the re-INVITE. In this case, the pair of SBC's may be a pair of LAN interface cards with separate IP addresses under the same running SBC process.

In order for server groups to work in this example, the hostname in the contact header sent by the SBC must match the server group name provisioned on the BTS 10200. Therefore, the SBC's for Network-A must be configured to send a Contact header with a host name of NET-A. Similarly, the SBC's for Network-B must be configured to send a Contact header with a host name of NET-B.

Figure 3-16 Example of a SGs for SIP Requests to SBC Endpoints



Server Groups for Response Retransmissions to a Proxy Farm

Figure 3-17 shows an example of SGs for response transmissions to a proxy farm.

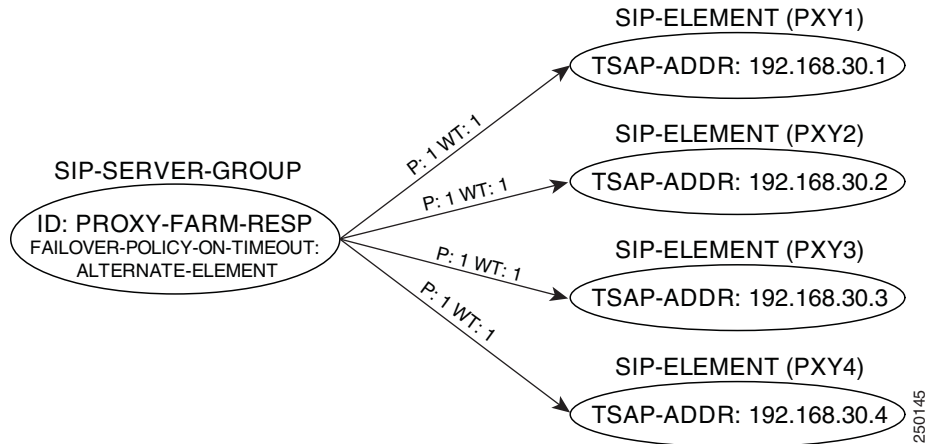
When the BTS 10200 receives SIP calls (initial INVITE requests) from the proxy farm, the BTS 10200 will send a final response. It may also send a reliable 18X response before the final response. If ACK or PRACK is not received for these responses in time, the BTS 10200 will retransmit the response using the hostname in the top-most VIA header. Figure 3-17 illustrates an example of server groups provisioning for these response retransmissions. In this example, all four proxies load share the retransmissions by provisioning each proxy with equal weight and priority providing an even distribution of retransmissions across them. In this case, only one server group is required. The server group contains four SIP elements one for each proxy. Links to these SIP elements are provisioned with equal priority and weight.

Prior to sending a response re-transmission, a SIP element is chosen randomly from the set of 4 SIP elements, and the response is sent to the proxy representing that SIP element. If there is no PRACK or ACK received in time, the next SIP element is chosen again from the set of 4 SIP elements. This means the next SIP element chosen could be the same as the previous SIP element since blacklisting of SIP elements does not occur in this case. Since the response is retransmitted evenly across the proxy farm, this example would be typical for a proxy farm composed of transaction stateless proxies.

In order for server groups to work in this example, the hostname in the top-most VIA header sent in the initial INVITE request by the proxies must match the server group name provisioned on the BTS 10200. The name must be an FQDN format without a port specified. Therefore, each proxy must be configured to send a top-most VIA header with a host name of PROXY-FARM-RESP.

The load sharing and redundancy model for retransmissions to the proxy farm (shown in Figure 3-17) is different than the model used for BTS 10200 SIP calls to the proxy farm. This need not be the case. If this load sharing model applied as well for initial INVITE requests, the BTS 10200 SIP trunk towards the proxy farm could be provisioned with the server group name PROXY-FARM-RESP in the SIP-SERVER-GROUP-ID field of the SIP trunk group defined to route SIP calls to the proxy farm.

Figure 3-17 Example of Server Groups for Response Transmissions to a Proxy Farm



Limitations on SIP Server Groups

This section lists limitations. These are conditions for which the feature is not designed to work, or for which the feature operation can be affected by special situations.

Server Groups and CANCEL/ACK Messages

Server groups are not used when the BTS 10200 SIP interface is sending a CANCEL and sending ACK for a failed response to initial INVITE or re-INVITE. The CANCEL and ACK request are sent using the properties of the SIP element used for the initial INVITE request.

Server Group Provisioning Limits

There is no provisioning limit on the depth of a server group tree on the BTS 10200. Internally the BTS 10200 will only recognize a tree depth of four server groups or elements. Any links defined beyond the fourth level are ignored as if no links were provisioned.

The BTS 10200 provisioning system imposes a limit on how many child server groups or SIP elements can be provisioned under any one server group. This limit is 10.



Caution

There are no rules against provisioning a server group tree with links that define a loop in which case, the tree depth is infinite. However, we strongly recommend that you not provision any loops, because it may cause unexpected behaviors.

Server Groups and SIP Element TSAP-ADDR Provisioning

It is recommended that the TSAP-ADDR field of the SIP element record be provisioned with an explicit IP address format when the element is provisioned for use by a server group. This avoids DNS lookups, which is one of the benefits of using the server groups feature.

If the SIP element is provisioned with an FQDN, a DNS lookup will be performed by the BTS 10200 SIP interface. If DNS is used with server groups, only A-record resolution is available. It is recommended the FQDN resolve to a single IP address. An FQDN resolving to multiple IP addresses is not recommended as these additional IP addresses will not be considered in some cases. The FQDN may be provisioned with the optional port postfix.

SIP elements provisioned for use by a server group do not support the SRV feature. This feature should be disabled on the SIP element. If enabled, the feature is ignored internally and an informational event is provided to the administrator.

Server Groups and Call Redirection

When the BTS 10200 receives the contact header from the 3XX class redirection response to perform a call redirection, it decides how redirection is done based on the number and host name in the contact's SIP URL. If the host name field of the redirection contact matches the provisioned TSAP address of a SIP trunk, the BTS 10200 redirects the call out this trunk without using the routing system. The number in the 3XX contact is mapped to the called party number in the Request URI of the redirected INVITE.

A SIP trunk provisioned for server groups does not have its TSAP address field populated. Therefore, these SIP trunks will not be considered when the call redirection feature searches for a match of 3XX contact hostname to TSAP address for call redirection out a SIP trunk.

Server Groups and Call Transfer

The BTS 10200 SIP interface will perform call transfer when the SIP REFER request is received mid-call. The BTS 10200 SIP interface decides how call transfer is done based on the number and host name of the SIP URL of the Refer-To header. If the host name field of the URL matches the provisioned TSAP address of a SIP trunk, the BTS 10200 transfers the call out this trunk without using the number-based routing system.

A SIP trunk provisioned for server groups does not have its TSAP address field populated. Therefore, these SIP trunks will not be considered when the call transfer feature searches for a match of Refer-To URL hostname to TSAP address for transfer out a SIP trunk.

Server Groups and Expires Header

The BTS 10200 SIP interface may be provisioned to add an Expires header with a provisioned duration to the initial INVITE request sent to indicate the maximum limit of time for call setup.

When the INVITE request incurs a timeout or a 5XX response with failover policy, server groups may advance to the next SIP element and resubmit the INVITE request. When the next INVITE request is resubmitted, if the Expires header is provisioned, the call setup duration limit is reset to the value provisioned for the Expires header. This reset is done for each INVITE request resubmission. In this case, the application layer will be subjected to call setup times that exceed the time provisioned for the Expires header.

Server Groups and Status Monitoring

We recommend that you leave status monitoring enabled on SIP elements when used for server groups. This allows a SIP element to be placed operationally out of service on a SIP request timeout. In this case, subsequent SIP requests and SIP calls avoid selecting this SIP element until the element is determined to be back in service. For more information on status monitoring, see the [“SIP Status Monitoring and SIP Element Audit” section on page 3-14](#).

Provisioning SIP Server Groups

This section explains how to do the following:

- [Provisioning a SIP Trunk Group without Server Groups](#)
- [Provisioning a SIP Trunk Group with Server Groups](#)

Provisioning a SIP Trunk Group without Server Groups

This section explains the steps required to provision a SIP TG without server groups.

-
- Step 1** Add the TG profile.
- ```
add softsw-tg-profile id=SS_PRO166; protocol-type=SIP;
```
- Step 2** Add the SIP element.
- ```
add sip-element tsap-addr=172.16.140.213:10605;
```
- Step 3** Add the TG.
- ```
add trunk-grp id=166; tg-type=softsw; softsw-tsap-addr=172.16.140.213:10605;
dial-plan-id=BASIC; tg-profile-id=SS_PRO166; call-agent-id=CA146; pop-id=1;
```
- 

### Provisioning a SIP Trunk Group with Server Groups

This section explains the steps required to provision a SIP TG with server groups.

In this example, the server group provisioning applies to [Figure 3-15](#). In this example, a server group named PROXY-FARM contains a server group named PRIMARY and the SIP element to PROXY4. The PRIMARY server group contains three SIP elements to the three other proxies in the farm. Additional provisioning below shows how a server group can be provisioned for SIP element advance within the same server group when receiving a 503 response. In this case the sip-sg-failover-policy table is used.

- 
- Step 1** Add the TG profile.
- ```
add softsw-tg-profile id=SS_PRO167; protocol-type=SIP;
```
- Step 2** Add the SIP elements.
- ```
add sip-element tsap-addr=192.168.30.1;
add sip-element tsap-addr=192.168.30.2;
add sip-element tsap-addr=192.168.30.3;
add sip-element tsap-addr=192.168.30.4;
```
- Step 3** Add the SIP server group for the primary SIP server group and for the proxy farm.
- ```
add sip-server-group id=PRIMARY; failover-policy-on-timeout=server-group;
add sip-server-group id=PROXY-FARM; failover-policy-on-timeout=alternate-element;
```
- Step 4** Add the SIP server group elements for the primary SIP server and for the proxy farm.
- ```
add sip-sg-element id=PROXY-FARM; row-id=1; sip-server-group-id=PRIMARY; p=1; wt=1;
add sip-sg-element id=PROXY-FARM; row-id=2; tsap-addr=192.168.30.30.4; p=2; wt=1;
```

```
add sip-sg-element id=PRIMARY; row-id=1; tsap-addr=192.168.30.1; p=1; wt=1;
add sip-sg-element id=PRIMARY; row-id=2; tsap-addr=192.168.30.2; p=1; wt=1;
add sip-sg-element id=PRIMARY; row-id=3; tsap-addr=192.168.30.3; p=1; wt=1;
```



**Note** For a given sip-sg-element id, the row-id must be unique, but it has no effect on element selection.

**Step 5** Add the TG for the proxy farm.

```
add trunk-grp ID=167; tg-type=softsw; sip-server-group-id=PROXY-FARM;
dial-plan-id=BASIC_DPP; tg-profile-id=SS_PRO167; call-agent-id=CA146; pop-id=1;
```

**Step 6** Add the failover policy for the proxy farm.

```
add sip-sg-failover-policy id=PROXY-FARM; status-code=503; action=alternate-element;
add sip-sg-failover-policy id=PRIMARY; status-code=503; action=alternate-element;
```

## Troubleshooting SIP Server Groups

Use the information in this section to help with troubleshooting procedures.

The specific fields for each signaling event and alarm are listed in the [Cisco BTS 10200 Softswitch Troubleshooting Guide](#).

### Signaling Event 168

The signaling event 168 is raised to warn network administrators if any server group provisioned administratively in-service, has no links (SIP\_SG\_ELEMENTS) provisioned to other server groups or SIP elements. A partial provisioning warning is issued for that server group at the time it is provisioned. This event will not occur if a server group is provisioned with links but are unavailable because the provisioning limit of a server group tree depth was reached.

### Signaling Event 169

The signaling event 169 is raised to inform a network administrator that a SIP element has been associated with a server group and is available for use but provisioned with DNS-SRV enabled. The DNS-SRV feature is not available for a SIP element when it is provisioned under a server group. If this occurs, the BTS 10200 ignores this feature on the SIP element and continues operation as if it was not set. The SRV feature should be turned off to avoid this informational event. The DNS-SRV feature is supported on a SIP element when it is provisioned directly on a SIP trunk using the TSAP-ADDR field of the trunk.

## SIP Trunk Call Admission Control

The SIP Trunk Call Admission Control (CAC) feature provides you with the flexibility of configuring and managing SIP soft trunks for incoming and outgoing calls. This allows you to monitor the performance of the system by monitoring the total number of sessions admitted through a SIP trunk. You can configure a SIP trunk as:

- Inbound



- Outbound
- Common
- Any combination of the above

## Outbound

You can configure a trunk group with a pool of outbound SIP trunks to limit the number of outgoing calls the trunk group supports and help you manage the system. If the trunk has only one pool associated with it, and that pool is provisioned as outbound, the Cisco BTS 10200 Softswitch permits only outgoing calls across this trunk group.

If a trunk is available, the BTS 10200 links the trunk to the call. If a trunk is not available, the BTS 10200 either processes the call according to the group's route advancement parameters or rejects the call.

If no other pools are provisioned for the outbound trunk group, the BTS 10200 does not restrict the number of incoming calls permitted over the trunk group.

## Inbound

You can configure a trunk group with a pool of inbound SIP trunks to limit the number of incoming calls the trunk group supports. When the SIP trunk belonging to an inbound trunk group offers an invite to an incoming call, the BTS 10200 identifies the trunk group for the call. If the trunk has only one pool associated with it, and that pool is provisioned as inbound, the BTS 10200 determines whether a trunk is available and, if it is, links the trunk to the call. If a trunk is not available, the BTS 10200 rejects the call with a 503 response and retries.

If no other pools are provisioned for the inbound trunk group, the BTS 10200 does not restrict the number of outgoing calls permitted over the trunk group.

## Common

You can configure a common pool of SIP trunks to limit the combined number of incoming and outgoing calls permitted over the trunk group. If the trunk has only one pool associated with it, and that pool is common, the BTS 10200 permits either an inbound or outbound call if a trunk is available. If a trunk is not available, BTS 10200 either processes the call according to the group's route advancement parameters or rejects the call.

## Outbound and Common

You can configure outbound and common pools for one trunk group. For outbound calls, the BTS 10200 checks the outbound pool for an available trunk. If a trunk is available, the BTS 10200 links the call. If a trunk is not available, the BTS 10200 checks the common pool for an available trunk. If a trunk is not available from the common pool, the BTS 10200 processes the call according to the group's route advancement parameters or rejects the call.

## Inbound and Common

You can configure inbound and common pools for one trunk group. For inbound calls, the BTS 10200 offers an invite and checks the inbound pool for an available trunk. If a trunk is available, the BTS 10200 links the call. If a trunk is not available, the BTS 10200 checks the common pool for an available trunk. If a trunk is not available from the common pool, the BTS 10200 rejects the call with a 503 response and retries.

## Combination of Outbound, Inbound, and Common

You can configure a trunk group with any combination of the three pool types.

## Restrictions and Limitations

The SIP Trunk CAC feature limits only the number of calls for SIP trunk groups provisioned with SIP trunk pools. This means that

- The call limit for SIP trunk groups provisioned without SIP trunk pools is not affected.
- If a SIP trunk pool is applied to an operational or in-service SIP trunk group, existing calls are not counted against the pool call limit. The call limit applies only to new calls on the SIP trunk group after the pool is added.
- If the BTS 10200 has been provisioned with SIP trunk pools for a specific SIP trunk group but the association between the SIP trunk pools and SIP trunk is removed, then all calls made before the pools and trunk group were decoupled are managed by the pool until the calls are completed.
- If the BTS 10200 has been provisioned with SIP trunk pools for a specific SIP trunk group but the pool is deleted, then all calls made before the pool was deleted remain active and the trunk group returns to a state of supporting an unlimited number of calls.

We recommend that the SIP Trunk CAC feature not be used for 9-1-1 calls because emergency calls are treated without priority unless the user provisions trunk routes that can handle emergency traffic.

## Configuring SIP Trunk Call Admission Control

The following examples show how to provision and modify the SIP soft trunk feature using CLI commands.

### Provisioning a Soft Trunk Pool

Use the following sample script to provision a SIP soft trunk pool.

```
add sfg id=pool1; sfg-count=100
add sfg id=pool2; sfg-count=110
add sfg id=pool3; sfg-count=120
```

### Modifying the Size of a Pool

Use the following sample script to modify the size of a SIP soft trunk pool.

```
change sfg id=pool3; size=200
```

## Assigning Pools to Trunk Groups

Use the following sample script to assign a SIP soft trunk pool to a trunk group.

```
change trunk-grp id=tg1; bothway-sfg-id=pool1; inbound-sfg-id=pool2;
outbound-sfg-id=pool3;
```

Use the following commands with the SIP Trunk CAC feature.

## Removing Association Between Trunk Group and Pool

Use the following sample script to remove the association between a SIP soft trunk pool and a trunk group:

```
change trunk-grp id=tg1; inbound-sfg-id=NULL;
```

## Deleting a Pool

Use the following sample script to delete a SIP soft trunk pool:

```
delete sfg id=pool1;
```

## Querying Active Calls in a Pool

```
status sfg id=pool1;
```

# SIP Trunk Group Authentication and Registration

In addition to providing inter Cisco BTS 10200 connectivity, a SIP trunk serves a number of SIP subscribers through a SIP gateway, such as an IP-PBX. The SIP Trunk Group Authentication and Registration feature allows the service provider to

- Register the contact information of trunk groups
- Enable or disable authentication on specific trunk groups
- Set authentication parameters for those trunk groups

The service provider need not register for every user served by the IP-PBX, using different credentials for each user. If you enable the authentication of a SIP trunk group, the Cisco BTS 10200 does not attempt to authenticate the credentials of individual subscribers, instead it checks and authenticates the trunk group when an individual inbound call is placed through the SIP gateway on that trunk group. The credentials include username, password, realm, nonce, and response.



### Note

[Authentication for individual SIP subscribers](#) is an existing function. It is documented in the *Cisco BTS 10200 Softswitch SIP Feature and Provisioning Guide, Release 4.5.x*.

The service provider needs to register the contact information of specific SIP trunk groups on the Cisco BTS 10200 Softswitch. The Cisco BTS 10200 Softswitch identifies the trunk group based on

- Received user-name and realm
- Sip-Inbound-policy-profile table
- Top-Most Via header (TSAP address of the trunk group)

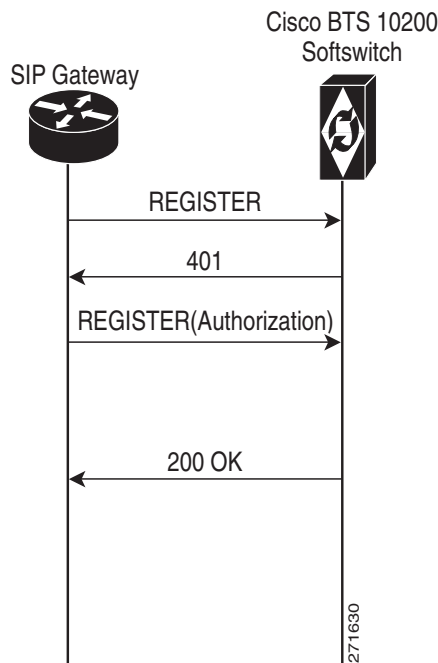
**Note**

*RFC 2617* defines realm as a string that displays the username and password to a user. This string contains the name of the host that performs the authentication. In addition, the realm displays the list of users who have access.

If the Cisco BTS 10200 Softswitch does not identify the trunk group then all requests are rejected with 403 response.

Figure 3-18 shows the registration flow.

**Figure 3-18 Registration Flow**



The following steps explain the registration flow:

1. The SIP Gateway sends the REGISTER request (without authorization header) to Cisco BTS 10200 Softswitch.
2. The Cisco BTS 10200 Softswitch challenges the REGISTER request with 401 response and requests for an authorization header. The authorization header contains the SIP trunk credentials.

**Note**

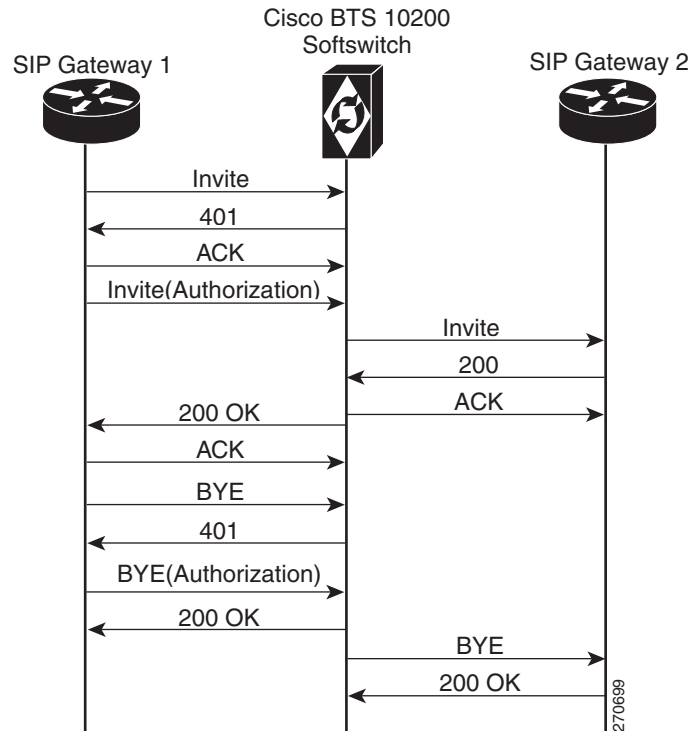
A challenge is a method to authenticate User Agent Client (UAC), here UAC is a SIP trunk. When a UAC sends a request to Cisco BTS 10200 Softswitch, the Cisco BTS 10200 Softswitch challenge the request with 401 response (requesting for credentials). The UAC resubmits the request with the credentials.

3. The SIP Gateway adds the authorization header and sends it to Cisco BTS 10200 Softswitch in response to 401 message.
4. The Cisco BTS 10200 Softswitch accepts the request and sends 200 OK message.

The Cisco BTS 10200 Softswitch allows the subscriber to place a call by authenticating the specific trunk group based on the authentication information provisioned in the sip-tg-auth-reg table. The registration information is used for routing the outbound requests towards a trunk group.

Figure 3-19 shows the processing of an incoming request and the messaging involved in the Cisco BTS 10200 softswitch for the SIP Trunk Group Authentication and Registration feature.

**Figure 3-19 Processing of an Incoming Request**



The following steps explain the call flow:

1. The SIP Gateway 1 sends the Invite request (without authorization header) to the Cisco BTS 10200 Softswitch when the subscriber tries to place a call.
2. The Cisco BTS 10200 Softswitch sends the 401 response requesting for authorization header.
3. The SIP Gateway 1 sends the ACK message that it has received the 401 message.
4. The SIP Gateway 1 again sends the Invite request with authorization header to the Cisco BTS 10200 Softswitch in response to 401 message.
5. After receiving the second INVITE with credentials, the Cisco BTS 10200 verifies and authenticates the credentials.
6. If the authentication is successful, then the Cisco BTS 10200 Softswitch forwards this Invite to SIP Gateway 2. The SIP Gateway 2 sends the 200 OK message to the Cisco BTS 10200 Softswitch.
7. The Cisco BTS 10200 Softswitch sends the 200 OK message to SIP Gateway 1.
8. The subscribers are in a call.
9. When the subscriber wants to terminate the call, a BYE request is sent to the Cisco BTS 10200 Softswitch.
10. The Cisco BTS 10200 Softswitch sends the 401 response requesting for authentication header.
11. The Gateway sends the BYE request with authorization header.
12. The Cisco BTS 10200 Softswitch sends the 200 OK message and the call is released.

## Limitations

This section lists limitations. These are conditions for which the feature is not designed to work, or conditions that cause it to work in a limited manner.

- Authenticates only a maximum of 2000 SIP trunk groups.
- Does not challenge the unidentified requests using the default realm.
- Does not identify a trunk group based on username and realm.

## Interoperability

The interoperability testing for this feature has been performed with the Cisco 2811 Integrated Services Router over SIP trunks. For the SIP-based PBX application, the Cisco 2811 router acts as a time-division multiplexing (TDM) IP gateway. To deploy other equipment or software on a trunk group with authentication and registration features, verify the interoperability with Cisco BTS 10200 Release 6.0.3.

Additional details are as follows:

- The Cisco 2811 IOS software tested by Cisco for interoperability is the IOS 12.4(15)T3 image.
- The SIP-to-ISDN (PRI) conversion mapping is an existing IOS function and is documented in the Cisco IOS software guide, [http://www.cisco.com/en/US/products/sw/iosswrel/ps5207/products\\_configuration\\_guide\\_chapter\\_09186a00807561f8.html#wp1047641](http://www.cisco.com/en/US/products/sw/iosswrel/ps5207/products_configuration_guide_chapter_09186a00807561f8.html#wp1047641)

## Provisioning

To provision the SIP Trunk Group Authentication and Registration feature, do the following:

**Step 1** Provision the SIP trunk to the Cisco 2811 according to the procedures in the *Cisco BTS 10200 Softswitch SIP Protocol Provisioning Guide (Release 4.5.x)*.

**Step 2** Create an authentication realm.

```
add_auth_realm id=<id>; description=<description>;
```

**Example:** add\_auth\_realm id=cisco.com; description=Auth realm for SIP trunks;

**Step 3** Enable the SIP trunk registration and authentication, then set the parameters in the sip\_tg\_auth\_reg table.

```
add sip-tg-auth-reg tgn-id=<id>; authentication=[Y | N]; registration=[Y | N];
auth_realm_id=<id>; auth-user=tg_pbx_1; password=<password>;
reg-contact-routing_algo=ip_route; unregistered_calling=[Y | N];
max_registration_time=<time in seconds>; min_registration_time=<time in seconds>;
```

**Example:** add sip-tg-auth-reg tgn-id=4328;authentication=Y;
registration=Y;auth\_realm\_id=Cisco.com;auth-user=tg\_pbx\_1; password=abc1234;
reg-contact-routing\_algo=IP\_ROUTING; unregistered\_calling=y; max\_registration\_time = 30;
min\_registration\_time= 20;

This sample command includes only mandatory parameters for provisioning SIP trunk registration and authentication. Before entering the command, take into account the following parameter details:

- For additional details on the sip\_tg\_auth\_reg table, see the *Cisco BTS 10200 Softswitch CLI Database*.

- If you set authentication=Y, then enter valid nonnull values for auth\_user, auth\_realm\_id, and password; the auth\_realm table referenced by auth\_realm\_id must already exist.
- If you set authentication=N, then the system does not use auth\_user, auth\_realm\_id, or a password.
- You should set registration=y only if the remote SIP gateway is configured to send registration requests to the Cisco BTS 10200. Else, set registration=n. If you set registration=n and the SIP gateway sends a registration request, the Cisco BTS 10200 fails the call with a 403 response.
- The setting of values for min\_registration\_time and max\_registration\_time (in seconds) allows you to adjust the minimum and maximum registration time (in seconds) which enables the registration of the gateway with the Cisco BTS 10200. Increase or decrease the values if you are unable to register. The default values are shown in the example.

**Note**

If you set the Unregistered\_Calling =N in the Sip-tg-auth-reg table, the subscribers from an unregistered SIP trunk cannot place a call.

**Step 4** Use the following command to change the registration and authentication parameters:

```
Change sip-tg-auth-reg tgn-id=<id>; authentication=[Y | N]; registration=[Y | N];
auth-realm_id=<id>; auth-user=tg_pbx_1; password=<password>;
reg-contact-routing_algo=ip_route; unregistered_calling=[Y | N];
max_registration_time=<time in seconds>; min_registration_time=<time in seconds>;
```

**Example:** change sip-tg-auth-reg tgn-id=4328;authentication=N;registration=N;  
auth-realm\_id=Cisco.com;auth-user=tg\_pbx\_1; password=abc1234;  
reg-contact-routing\_algo=IP\_ROUTING; unregistered\_calling=y; max\_registration\_time = 3600;  
min\_registration\_time= 360;

**Step 5** The following **show** command displays the information set in the Sip-tg-auth-reg table (if provisioned) and also the realm id (if provisioned) for the same trunk group ID:

```
show sip-tg-auth-reg tgn-id=<id>;
```

**Example:** show sip-tg-auth-reg tgn-id=4328;

```
TGN_ID=4328
AUTH_REALM_ID=tb-cisco
AUTH_USER=5063866666
AUTHENTICATION=Y
MAX_REGISTRATION_TIME=30
MIN_REGISTRATION_TIME=20
REG_CONTACT_ROUTING_ALGO=IP_ROUTING
REGISTRATION=Y
UNREGISTERED_CALLING=N
```

**Step 6** The following **show** command displays the sip-tg-auth-reg columns if a corresponding entry is available for the trunk-grp:

```
show trunk-grp id=<id>;
```

**Example:** show trunk-grp id=4328;

```
ID=4328
CALL_AGENT_ID=CA146
TG_TYPE=SOFTSW
SOFTSW_TSAP_ADDR=sia-ari10ca146.hrndevtest.cisco.com:5210
TG_PROFILE_ID=SS_PRO_4328
STATUS=INS
DIRECTION=BOTH
SEL_POLICY=ASC
GLARE=SLAVE
```

```

ALT_ROUTE_ON_CONG=N
SIGNAL_PORTED_NUMBER=N
POP_ID=1
DIAL_PLAN_ID=BASIC_DPP
DEL_DIGITS=0
TRAFFIC_TYPE=LOCAL
ANI_BASED_ROUTING=N
MGCP_PKG_TYPE=NA
ANI_SCREENING=N
SEND_RDN_AS_CPN=N
SEND_EARLY_BKWD_MSG=N
EARLY_BKWD_MSG_TMR=5
SCRIPT_SUPP=N
VOICE_LAYER1_USERINFO=AUTO
VOICE_INFO_TRANSFER_CAP=AUTO
POI=INTER_ENDOFFICE
PERFORM_LNP_QUERY=N
IGNORE_INBOUND_LNP=N
EMERGENCY_TRUNK_GROUP=N
CUT_THRU_BEFORE_ANSWER=N
ENABLE_ROUTE_HEADER=N
ROUTE_HEADER_TRANSPORT_TYPE=UDP
OUTPULSE_CASUAL_AS_DIALED=N
OUTPULSE_PREFIX1_AS_DIALED=N
OUTPULSE_OPERATOR_AS_DIALED=N
OUTPULSE_INTL_AS_DIALED=N
OUTPULSE_INTL_OPR_AS_DIALED=N
DEFAULT_ROUTING=N
EGRESS_ROUTING=N
MDII_ENABLE=Y
SEND_CPNCHN_NONGEO=N
SEND_TNS=N
AUTH_REALM_ID=tb-cisco
AUTH_USER=5063866666
AUTHENTICATION=Y
MAX_REGISTRATION_TIME=30
MIN_REGISTRATION_TIME=20
REG_CONTACT_ROUTING_ALGO=IP_ROUTING
REGISTRATION=Y
UNREGISTERED_CALLING=N

```

**Step 7** Use the following command to delete the entry in the sip-tg-auth-reg table:

```
delete sip-tg-auth-reg tgn-id=<id>;
```

**Example:** delete sip-tg-auth-reg tgn-id=4328;

---

## Measurements

Measurements are the statistical data that helps the service provider to monitor and track the activity. The service provider can view the measurements for the SIP Trunk Group Authentication and Registration feature by entering the following command. In this example the measurements are shown for the trunk group 80035.

```
report measurement_tg_usage_summary; tgn_id=<id>;
```

**Example:** report measurement\_tg\_usage\_summary; tgn\_id=80035;



The following are the measurements applicable to this feature:

- **TRKGRP\_REGISTERS\_RECVD**—The total number of SIP REGISTER methods received for the specified trunk group.

For more information on SIP REGISTER methods, refer *RFC 3261*.

- **TRKGRP\_401S\_SENT**—The total number of SIP 401 challenge responses sent for the SIP requests received.

The **status** command displays the registration status of the trunk group with the registration information (Contact IP and port with Expiry time).

```
status trunk-grp id=<id>;
```

**Example:** status trunk-grp id=4328;

```
RESULT -> ADM configure result in success
REASON -> ADM executed successfully
ADMIN STATE -> ADMIN_INS
OPER STATE -> Trunk group in-service
REGISTRATION-STATE -> Registered
REGISTERED-CONTACT -> USER:Jim
HOST:cisco.com
PORT:4444
REGISTRATION-EXPIRY-TIME -> Wed Apr 30 06:16:21 2008
```

## Troubleshooting

If the Cisco BTS 10200 attempts to authenticate an incoming request on a SIP trunk and determines that the credentials for the trunk group is invalid, then the system fails the request. When the request fails, a SECURITY(7) warning alarm is generated.

When the registration expires on a trunk group that has registration enabled, the TRUNK-GRP-REG-EXPIRY alarm is generated. The receipt of a subsequent registration resets the alarm.

You can interpret the following datawords as follows:

- **TGN\_ID** —The TG ID number over which the call was attempted, for example, TG ID=22
- **SIP REG CONTACT** —The contact that successfully registered with that trunk-grp
- **REG EXPIRY TIME**—The time when this registered contact expires and becomes invalid

When the authentication fails for a trunk group, the TRUNK-GRP-AUTH-FAILED alarm is generated. This is reported as a warning alarm.

You can interpret the following datawords as follows:

- **AUTH USER**—The authentication user name provisioned in sip\_tg\_auth\_reg table for the trunk
- **AUTH REALM**—Realm in which the request received over this trunk group is challenged
- **TGN\_ID** —The TG ID number over which the call was attempted, for example, TG ID=22
- **SIP Request Message**—The type of SIP request message, for example, Invite, Register, and so on

# SIP Trunking for PBX Connection

The BTS 10200 communicates with the Cisco 2811 Integrated Services Router over SIP trunks. For the SIP-based PBX application, the Cisco 2811 acts as a time-division multiplexing (TDM) IP gateway. Additional details are as follows:

- The Cisco 2811 IOS software tested by Cisco for interoperability is the IOS 12.4(11)XJ image.



---

**Note** This interoperability information will be folded into the “[Component Interoperability](#)” [section](#) of the Release 6.0 *Cisco BTS 10200 Softswitch Release Notes*.

---

- The provisioning on the BTS 10200 for the SIP trunk to the Cisco 2811 is the same as provisioned for any SIP trunk. See the Release 6.0 [Cisco BTS 10200 Softswitch SIP Feature and Provisioning Guide](#) for SIP trunk provisioning information.
- The SIP to ISDN (PRI) conversion mapping is an existing IOS function and is documented in the applicable Cisco IOS software guide:

[http://www.cisco.com/en/US/products/sw/iosswrel/ps5207/products\\_configuration\\_guide\\_chapter\\_09186a00807561f8.html#wp1047641](http://www.cisco.com/en/US/products/sw/iosswrel/ps5207/products_configuration_guide_chapter_09186a00807561f8.html#wp1047641)



# CHAPTER 4

## SIP System Features

---

Revised: October 30, 2012, OL-25004-02

This chapter describes features that apply to all SIP system operations. It includes the following topics:

- [SIP Timer Values, page 4-1](#)
- [SIP Session Timers, page 4-7](#)
- [Limitations on Number of URLs, Parameters, and Headers, page 4-9](#)
- [Differentiated Services Codepoint, page 4-12](#)
- [Message Handling Based On Content-Length Header, page 4-12](#)
- [Limitation On Transient Calls During Switchover, page 4-13](#)
- [Automatic DNS Monitoring and Congestion Control, page 4-13](#)
- [Automatic Fault Monitoring and Self-Healing, page 4-13](#)

## SIP Timer Values

This section describes the SIP timers supported by the BTS 10200.



Tip

The provisioning information for SIP timers is provided in the “[SIP Timer Values for SIP Subscribers](#)” section on [page 2-11](#) (for SIP subscriber lines) and the “[SIP Timer Values for SIP Trunks](#)” section on [page 3-13](#) (for SIP trunks).



Tip

For more information about these timers, or for common SIP term definitions from this section, see RFC 3261.

## Rules for Configuring the SIP Timers

Use the following rules to configure the SIP timers in the BTS 10200. The rules are necessary due to mutual dependency between the timers. If any rules fail, the system computes the values of the timers.

- $\text{TIMER-T2-SECS} * 1000 > \text{TIMER-T1-MILLI}$
- $\text{TIMER-T2-SECS} * 1000 > \text{TIMER-G-MILLI}$

- $TIMER-B-SECS * 1000 > TIMER-A-MILLI$
- $TIMER-F-SECS * 1000 > TIMER-E-MILLI$
- $TIMER-D-SECS > 32$

In addition to these rules, the timer values must be in the range of values specified in the [“Detailed Description of Timers”](#) section.

## Detailed Description of Timers

The following list describes the timer parameters in the SIP Timer Profile (sip-timer-profile) table.

- **TIMER-T1-MILLI** (range 100–5000, default=500, in milliseconds)—T1 is an estimate of the round-trip time (RTT). The system uses this timer to calculate the default values of the transaction timers A through H and J in the following list. Many of those timers scale with T1; therefore, changing the T1 value changes the default values for timers A through H and J. The calculation is shown in the [“Computation of Default Timer Values A Through J from Timers T1 and T4”](#) section on page 4-5.
- **TIMER-T2-SECS** (range 1–10, default=4, in seconds)—The maximum allowed interval for non-INVITE requests. It is also used as the maximum retransmit interval for SIP INVITE responses.
- **TIMER-T4-SECS** (range 1–10, default=5, in seconds)—The timer represents the maximum amount of time the network takes to clear messages between client and server transactions. The system uses this timer to calculate the default value of the transaction timer **TIMER-I-SECS**; therefore, changing the T4 value changes the default value for **TIMER-I-SECS**. The calculation is shown in the [“Computation of Default Timer Values A Through J from Timers T1 and T4”](#) section on page 4-5.
- **TIMER-A-MILLI** (range 100–5000, default=0, in milliseconds)—The UAC timer for INVITE request retransmit interval. For example, if the value is 500 ms, the INVITE request retransmissions occur every 2 seconds. Applicable to UDP only. If **TIMER-A-MILLI** is set to the default value of 0, the system automatically calculates a value for it, as shown in the [“Computation of Default Timer Values A Through J from Timers T1 and T4”](#) section on page 4-5.
- **TIMER-B-SECS** (range 1–3600, default=0, in seconds)—The UAC INVITE transaction timer limits the INVITE transaction timeout. For SIP TCP trunk connections, there are certain scenarios in which the BTS 10200 does not immediately detect a loss of connection to an IP address endpoint after transmitting an INVITE request. As a result, we recommend provisioning this timer to 6 seconds when you are configuring TCP trunks, so that advancing to the FQDN’s next IP address occurs in a timely manner. If **TIMER-B-SECS** is set to the default value of 0, the system automatically calculates a value for it, as shown in the [“Computation of Default Timer Values A Through J from Timers T1 and T4”](#) section on page 4-5.
- **TIMER-D-SECS** (range 33–65, default=33, in seconds, set to 0 for TCP)—The user agent client (UAC) timer used for the wait time of response retransmissions. For INVITE, because an ACK could be lost, the user agent server (UAS) must wait at least 32 seconds (assuming the default transaction timer on the other end is 32 seconds) to receive any retransmissions of responses from the UAS and send an ACK. In a Cisco BTS 10200 implementation, this transaction clearing timer is applicable only for INVITE requests. For non-INVITE messages, the transaction is cleared immediately upon receipt of final response. If **TIMER-D-SECS** is set to the default value of 0, the system automatically calculates a value for it, as shown in the [“Computation of Default Timer Values A Through J from Timers T1 and T4”](#) section on page 4-5.
- **TIMER-E-MILLI** (range 100–5000, default=0, in milliseconds)—The UAC timer for a non-INVITE request retransmit interval. For example, if the value is 500 ms, the non-INVITE request retransmissions occur at intervals of 500 ms, 1s, 2s, 4s, 4s, 4s, 4s, 4s, 4s, and 4s (assuming **TIMER-F-SECS** defined below is 32 seconds and **TIMER-T2-SECS** defined previously is four

seconds). This parameter is applicable to user datagram protocol (UDP) only. If `TIMER-E-MILLI` is set to the default value of 0, the system automatically calculates a value for it, as shown in the [“Computation of Default Timer Values A Through J from Timers T1 and T4”](#) section on page 4-5.

- `TIMER-F-SECS` (range 1–3600, default=0, in seconds)—The UAC non-INVITE transaction timer that limits the number of retransmissions for non-INVITE requests. If `TIMER-F-SECS` is set to the default value of 0, the system automatically calculates a value for it, as shown in the [“Computation of Default Timer Values A Through J from Timers T1 and T4”](#) section on page 4-5.
- `TIMER-G-MILLI` (range 100–5000, default=0, in milliseconds)—Specifies the INVITE response retransmit interval. The UAS timer implemented to achieve reliability of successful final responses to INVITE requests. It starts when you are using a reliable transport protocol such as TCP. Even though the transport protocol might be reliable up to the next hop, it is not guaranteed reliable end-to-end if there are several proxy servers along the path when the call is set up. This timer is started when a final response is sent for an INVITE request. The timer stops when a matching ACK is received for the final response sent. For example, if a 200 OK is sent for INVITE, the UAS must receive the matching ACK for the 200 OK. If the `TIMER-G-MILLI` is 500 ms, the final response to the INVITE from the UAS retransmits at intervals of 500 ms, 1s, 2s, 4s, 8s, 16s, 32s (assuming that `TIMER-H-SECS` is 32 seconds). If `TIMER-G-MILLI` is set to the default value of 0, the system automatically calculates a value for it, as shown in the [“Computation of Default Timer Values A Through J from Timers T1 and T4”](#) section on page 4-5.
- `TIMER-H-SECS` (range 1–3600, default=0, in seconds)—The UAS timer responsible for clearing an incomplete INVITE UAS transaction. It also controls the number of INVITE final response retransmissions sent to UAC. The timer is started upon sending a final response for the INVITE request. It is the total wait time for ACK receipt from UAC. If `TIMER-H-SECS` is set to the default value of 0, the system automatically calculates a value for it, as shown in the [“Computation of Default Timer Values A Through J from Timers T1 and T4”](#) section on page 4-5.
- `TIMER-I-SECS` (range 1–10, default=0, in seconds)—This UAS timer is the wait time for ACK retransmits. It frees the server transaction resources and starts when the first ACK to the final response is received for INVITE requests. Upon receipt of an ACK for certain INVITE final responses (401, 415, 420, 422, 423, 480, and 484), the value of `TIMER-I-SECS` is set to a fixed duration of 32 seconds. The responses result in resubmission of the original INVITE with modifications, and prevent the resources from prematurely freeing. A 481 (Call-Leg/Transaction does not exist) or a 408 (Request Timeout) response sent for the INVITE results in a much smaller fixed duration of four seconds for timer I. This ensures that CCB resources are promptly freed when the call is not set up, allowing reuse for other calls. For ACK to all other INVITE final responses, which are not typically followed by a re-attempt, the timer duration for this timer is set at `TIMER-I-SECS`.

When a BYE is subsequently sent or received on a call in progress, and `TIMER-I-SECS` is running for that call, it is canceled and restarted for a smaller fixed duration of four seconds to reduce CCB hold time after call completion, and to optimize CCB resource usage.

If `TIMER-I-SECS` is set to the default value of 0, the system automatically calculates a value for it, as shown in the [“Computation of Default Timer Values A Through J from Timers T1 and T4”](#) section on page 4-5.

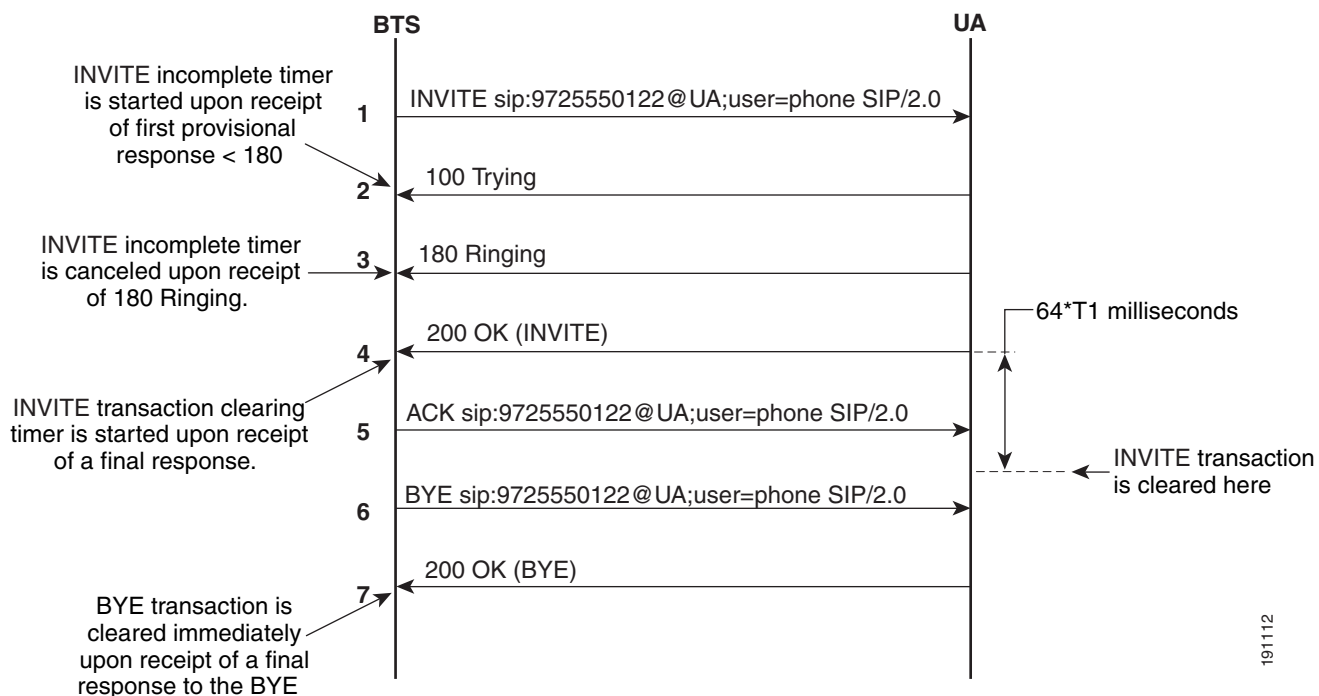
- `TIMER-J-SECS` (range 1–3600, default=0, in seconds, set to 0 for TCP)—This UAS timer cleans up non-INVITE UAS transactions. A shorter nonconfigurable timer of four seconds is used for BYE and CANCEL. Additionally, when a BYE or CANCEL is sent or received on a call in progress, if `TIMER-J-SECS` is running for any non-INVITE transaction associated with that call, it is canceled and restarted for a smaller fixed duration of four seconds to reduce CCB hold time after call completion, and to optimize CCB resource usage. If `TIMER-J-SECS` is set to the default value of 0, the system automatically calculates a value for it, as shown in the [“Computation of Default Timer Values A Through J from Timers T1 and T4”](#) section on page 4-5.

- **INVITE-INCOMPLETE-TIMER-SECS** (range 15–600, default=40, in seconds)—This UAC timer cleans up UAC INVITE transactions for which a provisional response less than 180 was received, but no ringing or final response was received within a reasonable period of time. This timer starts upon receipt of the first provisional response ( $\geq 100$  and  $< 180$ ) for the INVITE message sent. Upon receipt of the final response or 18x response to INVITE request, this timer is canceled.

This timer is also started if a CANCEL is sent, to clean up the INVITE transaction in case of a final response (487), indicating that the request was canceled, is not received.

The process involving receipt of the 180 response is shown in [Figure 4-1](#).

**Figure 4-1** INVITE Incomplete Timer Process with 180 Response



- **MIN-SE** (range 100–1800, default=900, in seconds)—This is a session timer. It specifies the minimum session-expires allowed on the Cisco BTS 10200. Any INVITE request received with a session-expires lower than the MIN-SE is rejected with a 422 response that has a header `Min-SE = MIN-SE`.
- **SESSION-EXPIRES-DELTA-SECS** (range 100–7200, default=1800, in seconds)—This is a session timer. It cleans up resources in case of an abnormal session end. The Cisco BTS 10200 sends the `SESSION-EXPIRES-DELTA-SECS` as the session-expires header in the initial INVITE. When a session is established, a session timer is started based on the negotiated value (it can be lower or equal to the `SESSION-EXPIRES-DELTA-SECS`). If the BTS 10200 is determined as the refresher, it starts a session timer for duration of half the negotiated time. A re-INVITE or update is sent out upon timer expiry to refresh the session. If the remote end is determined as the refresher, then a session timer is started for duration of (negotiated session-expires – 10 seconds). In this case, a BYE is sent to end the session if a session refresh (re-INVITE or update) is not received before the session timer expires.

**Note**

When the SESSION-EXPIRES-DELTA-SECS timer expires, the BTS 10200 might send a re-INVITE (as opposed to an UPDATE) with the previously sent session description protocol (SDP). If the BTS 10200 receives a 200 OK with the SDP changed from the previously received SDP, the BTS 10200 does not send this changed SDP to the origination.

## Computation of Default Timer Values A Through J from Timers T1 and T4

If the following timer values are not explicitly provisioned, the system computes them automatically, based on the values of TIMER-T1-MILLI and TIMER-T4-SECS, as follows:

- $\text{TIMER-A-MILLI} = \text{TIMER-T1-MILLI}$
- $\text{TIMER-B-SECS} = (64 * \text{TIMER-T1-MILLI}) / 1000$
- $\text{TIMER-E-MILLI} = \text{TIMER-T1-MILLI}$
- $\text{TIMER-F-SECS} = (64 * \text{TIMER-T1-MILLI}) / 1000$
- $\text{TIMER-G-MILLI} = \text{TIMER-T1-MILLI}$
- $\text{TIMER-H-SECS} = (64 * \text{TIMER-T1-MILLI}) / 1000$
- $\text{TIMER-I-SECS} = \text{TIMER-T4-SECS}$
- $\text{TIMER-J-SECS} = (64 * \text{TIMER-T1-MILLI}) / 1000$

## Calculation of Timer Retransmission Count

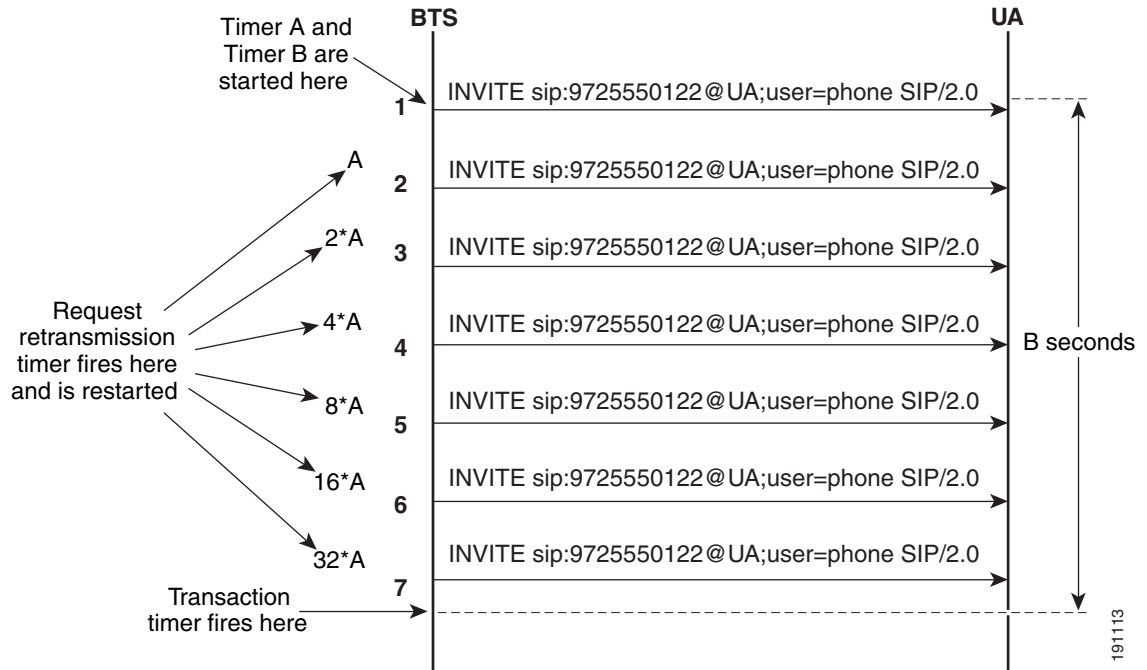
The retransmit count is defined as the number of times the same request or response is retransmitted after the message is sent once to the transport layer. The BTS 10200 computes this retransmit count based on RFC 3261 recommendations.

## INVITE Retransmit Count

The INVITE retransmission process is shown in Figure 4-2. If there is no response for the initial INVITE request, then INVITE requests are retransmitted as shown.

For example, if `TIMER-A-MILLI` is 500 ms and `TIMER-B-SECS` is 32 seconds, then there are six retransmissions after the first request, for a total of seven requests from the UAC. The retransmissions occur at intervals of 500 ms, 1s, 2s, 4s, 8s, 16s, and 32s.

Figure 4-2 INVITE Retransmissions with No Response



## Non-INVITE Retransmit Count

If there is no response for the initial non-INVITE request, INVITE requests are retransmitted as shown.

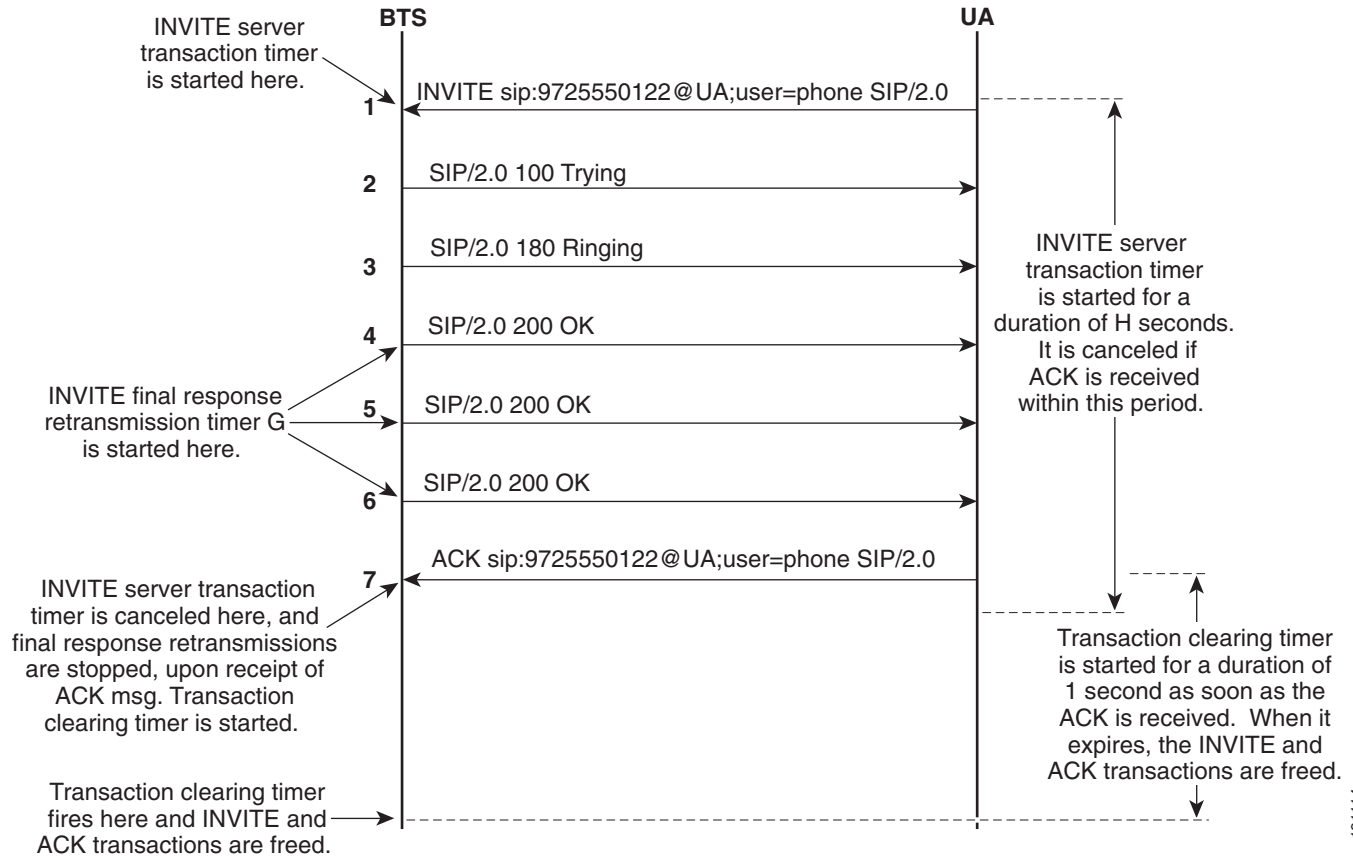
For example, if `TIMER-E-MILLI` is 500 ms, `TIMER-T2-SECS` is 4 seconds and `TIMER-F-SECS` is 32 seconds, then non-INVITE retransmissions occur at intervals of 500 ms, 1s, 2s, 4s, 4s, 4s, 4s, 4s, 4s, 4s. This means that retransmissions occur with an exponentially increasing interval that caps at  $T_2$ . In this particular scenario, there are 10 retransmissions which is a total of 11 requests from UAC.



## Response Retransmit Count

If no ACK is received for the final response of the INVITE request, the responses are retransmitted. This process is shown in [Figure 4-3](#).

**Figure 4-3** INVITE Server Transaction Timer Cancelled Upon Receipt of ACK



## SIP Session Timers

This section explains how session timers work. The system uses session timers to periodically refresh SIP sessions during call processing or in-progress calls.

To provision session timers for subscribers, see [Chapter 2, "SIP Subscribers."](#) To provision session timers for trunks, see [Chapter 3, "SIP Trunks."](#)

## Session Timers Description

Session timers allow for a periodic refresh of SIP sessions through a SIP re-INVITE or UPDATE request. The refresh allows the BTS 10200 SIP interface to determine if a SIP session is still active. If the session is inactive, possibly because the session did not end normally, the Cisco BTS 10200 sends a SIP BYE request and cleans up resources dedicated to the session. Stateful SIP proxies and the remote SIP endpoint handling the BYE request can clean up resources dedicated to this session as well.

The BTS 10200 support for the session timer follows the specifications described in the IETF document RFC 4028. Session durations are configured within a range of 30 minutes to 2 hours. The BTS 10200 does not allow for negotiating a session less than 15 minutes. This feature does not require the session timer capability on the remote SIP endpoint.

If the CA switches over during an active call with a session timer active, the session timer is deactivated. In this scenario, if the BTS 10200 is the negotiated refresher of the session timer, a call release might occur on when the session timer expires.

If the session timer (SUB-SESSION-TIMER-ALLOWED) is enabled, the BTS 10200 (as UAC) adds, to the initial INVITE message, a timer token in the Supported header, as well as a Session-Expires header with the Refresher parameter set to Uac. Whenever the SIP call is sent from the BTS 10200, the BTS 10200 specifies itself to be the refresher. If a session timer is not supported on the remote end, the value sent in the Session-Expires header is set for the session duration. The BTS 10200 sends a periodic refresh request at half of the negotiated Session-Expires value.

If the session timer is enabled and an initial INVITE is received by the BTS 10200 with a timer token in the Supported header and a Session-Expires header, it sends a 200 class response with a Require header specifying “timer,” and a Session-Expires header and refresher parameter. The Session-Expires header contains a session duration and refresher value set to whatever was received in the initial INVITE. If refresher parameter is not received in the initial INVITE, the BTS 10200 sets it to Uas indicating that the BTS 10200 is the refresher. The BTS 10200 sends a periodic refresh request at half the negotiated session duration.

If the session timer is enabled and an initial INVITE is received by the BTS 10200 without a timer token in the Supported header or a Session-Expires header, a 200 class response is sent without a Require header with timer value, or a Session-Expires header. The BTS 10200 sends periodic refresh requests at half the negotiated session duration.

If the session timer is disabled and an initial INVITE is sent by the BTS 10200, no Supported header with timer token or a Session-Expires header is added, indicating to the remote SIP endpoint that the BTS 10200 does not support session timer.

When the feature is disabled and an initial INVITE is received by the BTS 10200, any session timer related headers are ignored. The 200 class response does not include a Require header with timer value or a Session-Expires header.

Configurable parameters in the sip-timer-profile table allow the user to select the desired session duration (SESSION-EXPIRES-DELTA-SECS) and the minimum tolerable session duration (MIN-SE) if negotiated down to a lower value by the remote SIP endpoint or proxy. If the parameters are not explicitly specified, the default session duration is 30 minutes, and the minimum tolerable session duration allowed is 15 minutes.

A session that is not refreshed at the end of the duration interval results in a call release and session clean-up.

**Note**

When the SESSION-EXPIRES-DELTA-SECS timer expires, the BTS 10200 might send a re-INVITE (as opposed to an UPDATE) with the previously sent SDP. If the BTS 10200 receives a 200 OK with the SDP changed from the previously received SDP, the BTS 10200 does not send this changed SDP to the origination.

## Upgrades and SIP Session Timers

The SIP Session Timer values configured before Release 6.0.1 are reset to default after an upgrade to Release 6.0.1. You cannot configure SIP session timers, such as minSE and session\_expires\_delta\_secs, on the CA-CONFIG table. To configure the SIP timers, use the SIP-TIMER-PROFILE table and reference the SIP timers in the CA-CONFIG table.

## Using the EXPIRES Header

The system can be provisioned to include an EXPIRES header in all outbound INVITE messages and cancel a call if no response is received. This capability is provisioned through the SIA-DEFAULT-INVITE-EXPIRES-SECONDS parameter in the Call Agent Configuration (ca-config) table. Provisioning a non-zero value (default is 0) causes the system to include an Expires header in all outbound INVITE messages. The system starts a timer for each outbound INVITE. The messaging continues as follows:

- If a final response is received (any SIP response with a code greater than 199), the timer is canceled.
- If no final response is received, the system tears down the call. The system might also send a CANCEL message:
  - If no provisional response was received after the initial INVITE, the system tears down the call silently (no messages are sent to the terminating device).
  - If a provisional response was received after the initial INVITE, the system sends a CANCEL message.

## Limitations on Number of URLs, Parameters, and Headers

The system imposes limits on the decoding of incoming SIP messages. These limits are applicable to both subscriber-related and trunk-related incoming SIP messages. These limitations are intended to protect the system from decoding extremely large messages, which in turn could overload the system and cause performance problems.

**Note**

These limits are not provisionable. If you need to change any of these limits, contact your Cisco account team.

Table 4-1 lists the limits related to URL and REQUIR.

**Table 4-1** Limits on URL and REQURI

| Parameter                                                                                                      | Limit |
|----------------------------------------------------------------------------------------------------------------|-------|
| Maximum number of URLs (SIP+Tel+Unknown) in a SIP message                                                      | 25    |
| Maximum number of parameters in the REQURI of a message                                                        | 10    |
| Maximum number of header parameters (parameters occurring after “?” character) in the Request-URI of a message | 5     |
| Maximum number of parameters in a SIP URL                                                                      | 10    |
| Maximum number of header parameters (parameters occurring after “?” character) in a SIP URL                    | 5     |
| Maximum number of parameters in a Tel URL                                                                      | 5     |

Table 4-2 lists the maximum number of parameters allowed in each SIP message header.

**Table 4-2** Maximum Number of Parameters Allowed in SIP Message Headers

| Header              | Maximum Number of Parameters Allowed in Header |
|---------------------|------------------------------------------------|
| Contact             | 10                                             |
| Via                 | 10                                             |
| Route               | 5                                              |
| Record-Route        | 5                                              |
| Diversion           | 10                                             |
| Call-Info           | 5                                              |
| Alert-Info          | 5                                              |
| Error-Info          | 5                                              |
| P-Asserted-Identity | 5                                              |
| Accept-Contact      | 5                                              |
| To                  | 5                                              |
| From                | 5                                              |
| Referred-By         | 5                                              |
| Refer-To            | 5                                              |

Table 4-3 lists the maximum number of unknown Option tags of a specified kind allowed in a SIP message.

**Table 4-3** Maximum Number of Unknown Option Tags in SIP Message

| Message     | Maximum Number of Unknown Option Tags Allowed |
|-------------|-----------------------------------------------|
| Supported   | 5                                             |
| Unsupported | 5                                             |
| Require     | 5                                             |

Table 4-4 lists the maximum number of parameters allowed in each SIP message header.

**Table 4-4** Maximum Number of Parameters Allowed in SIP Message Headers

| Header Name       | Parameter Type      | Maximum Number of Parameters Allowed in Header |
|-------------------|---------------------|------------------------------------------------|
| Replaces          | All parameters      | 5                                              |
| Event             | All parameters      | 5                                              |
| Reason            | All parameters      | 5                                              |
| Accept            | All parameters      | 5                                              |
| Session-Expires   | All parameters      | 5                                              |
| Min-SE            | All parameters      | 5                                              |
| Warnings          | All parameters      | 5                                              |
| Accept-Language   | Number of languages | 5                                              |
| Accept-Language   | Language parameters | 5                                              |
| Accept-Encoding   | All parameters      | 5                                              |
| Authorization     | All parameters      | 15                                             |
| Retry-After       | All parameters      | 5                                              |
| P-Charging-Vector | All parameters      | 10                                             |

Table 4-5 lists the maximum number of headers allowed in a SIP message.

**Table 4-5** Maximum Number of Headers Allowed in a SIP Message

| Header Name         | Maximum Number of Headers Allowed |
|---------------------|-----------------------------------|
| Contact             | 5                                 |
| Via                 | 5                                 |
| Route               | 5                                 |
| Record-Route        | 5                                 |
| Diversion           | 5                                 |
| Call-Info           | 5                                 |
| Alert-Info          | 5                                 |
| Error-Info          | 5                                 |
| P-Asserted-Identity | 5                                 |
| Contact             | 5                                 |
| To                  | 1                                 |
| From                | 1                                 |
| Call-ID             | 1                                 |
| CSeq                | 1                                 |
| Session-Expires     | 1                                 |
| Min-SE              | 1                                 |

**Table 4-5** Maximum Number of Headers Allowed in a SIP Message (continued)

| Header Name       | Maximum Number of Headers Allowed |
|-------------------|-----------------------------------|
| Referred-By       | 1                                 |
| Refer-To          | 1                                 |
| Replaces          | 1                                 |
| Allow-Events      | 5                                 |
| Event             | 1                                 |
| Reason            | 5                                 |
| Accept            | 5                                 |
| Accept-Encoding   | 5                                 |
| Authorization     | 1                                 |
| Retry-After       | 1                                 |
| P-Charging-Vector | 1                                 |

## Differentiated Services Codepoint

The SIP differentiated services codepoint (DSCP) feature enables you to configure the system such that SIP signaling traffic is sent at a desired priority over IP. This is important because SIP messages travel over the same network as the voice traffic. If this network is congested, the voice data might delay the SIP signaling packets, increasing call setup time. Raising the SIP packet priority in relation to other traffic reduces the delay.



### Note

We recommend using the default values for the DSCP parameters. These values should be changed only after careful consideration, or if there is a specific need.



### Caution

If you change any parameters in the ca-config table, these changes do not take effect until the CA platform switches over or restarts.

## Message Handling Based On Content-Length Header

This section describes the handling of SIP messages based on the Content-Length header.

For outbound TCP and UDP messages, the BTS 10200 complies with RFC 3261 by including a Content-Length header with the correct value for the body of the request.

For inbound UDP messages, the BTS 10200 complies with RFC 3261 by assuming the length in the Content-Length header is correct and discarding additional bytes (if any) in the content body. If the actual content length is shorter than the length indicated in the header, the BTS 10200 reads the content and attempts to complete the call with the content that was received. This handling of shortened content is not compliant with RFC 3261 (which requires messages with shortened content to be discarded with a 400 Bad Request response), but it is intended as a more tolerant treatment for inbound messages. Regardless of the content length, the BTS 10200 attempts to complete calls based on the inbound message. However, if the content itself is invalid, the BTS 10200 rejects the call.

For inbound TCP messages, the BTS 10200 requires the received length to be correct, because the TCP message contains is a continuous stream of bytes rather than discrete packets. This treatment is compliant with RFC 3261.

## Limitation On Transient Calls During Switchover

If the active CA experiences a problem and switches over to the standby side, stable calls are preserved. However, calls that are in a transient state (call setup is not complete) might be dropped or improperly set up. During a CA switchover, the BTS 10200 cannot complete call setup for these transient calls. The BTS 10200 preserves the registration and contact data for the call. After the switchover is complete, the BTS 10200 can complete calls based on the existing registration and contact.

You can provision the BTS 10200 to set an EXPIRES header for INVITEs sent on outbound calls. This provisioning is done through the SIA-DEFAULT-INVITE-EXPIRES-SECONDS parameter in the ca-config table. (The system default behavior is to omit the Expires header.) For details about this parameter, see the [“Using the EXPIRES Header”](#) section on page 4-9.

In addition, transient calls and inactive connected calls originated on the BTS 10200 are cleaned up through a periodic audit mechanism that runs once per hour. The frequency of this audit can be modified. However, changing this requires careful consideration to avoid adverse effects on call processing. Contact Cisco TAC if you have identified a need to change this frequency.

## Automatic DNS Monitoring and Congestion Control

SIP depends heavily on name resolution to route messages. As a result, if response times from the DNS server become large, the SIP process might become congested and affect system performance. Therefore, the system automatically monitors DNS response times and controls the level of congestion.

The BTS 10200 periodically measures the latency of DNS responses. If a series of measurements exceeds a provisioned threshold, SIA-DNS-LATENCY-TOLERANCE-MILLISECONDS in the ca-config table, the SIP process in the BTS 10200 stops issuing DNS queries and might fail calls that require a DNS query. This prevents the SIP process from becoming congested. When the measured latency drops below this threshold, queries are permitted again. By default, the tolerance is set high at 400ms. A well-engineered DNS should return responses in less than 10 ms.

The monitoring mechanism requires that the BTS 10200 standard host name be configured in the DNS server. While this is standard practice, you should verify that it is configured in the DNS, because this is essential to the operation of the monitor.

## Automatic Fault Monitoring and Self-Healing

The system performs self-checks and recovers automatically if any process goes down. After the system recovers, new calls can be set up, and calls that were established (answered) prior to the fault continue to be handled. However, any transactions that were pending at the time of the fault are not processed after the system recovers.

# SIP Enhancements

The SIP Enhancements feature enables the service provider to correlate the IP Multimedia Subsystem (IMS) charging information from other elements in the IMS system with the call detail record (CDR) provided by the Telephony Application Server (TAS). The correlation information includes a globally unique charging identifier that makes the billing effort easy. TAS is an application server which provides telephony features to subscribers through Serving Call Session Control Function (SCSCF) within an IMS network. It interfaces with SCSCF using the IP Multimedia Service Control (ISC) interface. The TAS uses the P-Charging-Vector header for IMS billing. The P-Charging-Vector header has the collection of charging information.

The IMS Charging Identity (ICID) value in the P-Charging-Vector header correlates the CDRs from different elements in the IMS system. TAS captures the ICID value in the P-Charging-Vector header of the initial INVITE request to set up a session. The captured ICID value is made available to the service provider through the CDR generated at TAS. If there is no P-Charging-Vector in the INVITE message, the ICID value is not reported in the CDR.

The TAS might receive the P-Charging-Vector header from SCSCF in the INVITE request, 1xx response, 2xx response, or BYE request. The TAS relays this header back to SCSCF as it is in the request/response received from the SCSCF. The TAS does not generate or modify the P-Charging-Vector.

This feature helps the subscriber to identify the called party. The P-Called-Party-ID has the SIP URI (address-of-record) associated with the Request-URI of the INVITE request received at the BTS. It is a header added to the SIP Invite message that goes out to a SIP subscriber, and it helps the subscriber identify the called party. This feature is useful when one subscriber has registered multiple identities.

## Prerequisites

The BTS captures the ICID value in the P-Charging-vector only when the BTS is configured as TAS.

## Limitations

- The CDR can store ICID values that are up to 32 bytes in length.
- BTS provides the P-Called-Party-ID for SIP subscribers but not for SIP trunks.
- BTS supports P-Called-Party-ID for INVITE requests only.

# SIP Traffic Measurement Enhancements

SIP call failures are due to network failure or end user conditions. The SIP Traffic Measurement Enhancements feature helps the customer to identify the call failures due to end user conditions such as:

- If the caller abandons the call before the receiver of the call answers (called party answers).
- If the receiver of the call is busy or not responding to the incoming call.

These call traffic statistics serve as input for further network planning and expansions.

This feature introduces the following counters for call failures due to end user conditions:

- Call abandoned—Call abandoned by caller before called party answers (abandoned call is one where caller releases the call before called party answers).
- User busy—Called party busy.



- No answer— Called party is not responding to an incoming call.

Counters are maintained at the system level (both SIP endpoints and SIP trunks) and at each SIP trunk group level. The counters are maintained separately for originating and terminating calls. Call Processing (CallP), SIP stack, and SIP Adapter update the Traffic Measurement (TMM) counters at run-time for SIP traffic.

**Note**


---

Prior to Release 6.0 these call failure counters were not captured as a part of the summary report.

---

## Summary Report Changes

This section provides information on the counters included in Release 6.0. The Call Abandon, User Busy, and No Answers counters for call failures due to end user conditions are captured in summary reports. The summary report changes can be viewed at two levels:

- System Level
- Trunk Group Level

### System Level

Users can obtain the call processing and SIP statistics by means of the following commands:

- `measurement-callp-summary`
- `measurement-sia-summary`

The **measurement-callp-summary** command provides the summary reports of call processing statistics for system-wide traffic that are captured for a specified call agent during that collection interval (time-interval). Use the following command to query the counters:

```
show measurement_callp_summary or report measurement_callp_summary
```

The **measurement-sia-summary** command provides the summary reports of SIP (both SIP endpoints and SIP trunks) and the SIP interface adapter statistics that are captured for a specified call agent during a collection interval (time-interval). Each collection interval starts on the hour, half-hour, or quarter-hour.

```
show measurement_sia_summary or report measurement_sia_summary
```

**Note**


---

The SIP stack counters that capture the statistics related to ingress and egress of 3xx, 4xx, 5xx, and 6xx SIP responses do not increment call abandoned, user busy, and no answers counters on retransmissions (both reception and transmission).

---

### Trunk Group Level

Use the following command to query the counters at trunk group level. This command provides the trunk group usage information.

```
show measurement_tg_usage_summary or report measurement_tg_usage_summary
```

## Trunk Group Usage Counters

This section lists the new and changed trunk group usage counters.

### New Trunk Group Usage Counters

These counters are specific to SIP trunks. Other types of trunks are not supported. For a description of these counters, see the Cisco BTS 10200 Softswitch Operations and Maintenance Guide.

- TRKGRP\_SIP\_3xx\_RX
- TRKGRP\_SIP\_3xx\_TX
- TRKGRP\_SIP\_4xx\_RX
- TRKGRP\_SIP\_4xx\_TX
- TRKGRP\_SIP\_5xx\_RX
- TRKGRP\_SIP\_5xx\_TX
- TRKGRP\_SIP\_6xx\_RX
- TRKGRP\_SIP\_6xx\_TX
- TRKGRP\_INBOUND\_FAIL
- TRKGRP\_INBOUND\_SUCC
- TRKGRP\_INCOM\_CALL\_ABDN
- TRKGRP\_INCOM\_CALL\_NOT\_ANS
- TRKGRP\_INCOM\_END\_USR\_BUSY
- TRKGRP\_OUTBOUND\_SUCC
- TRKGRP\_OUTG\_CALL\_ABDN
- TRKGRP\_OUTG\_CALL\_NOT\_ANS
- TRKGRP\_OUTG\_END\_USR\_BUSY

### Changed Trunk Group Usage Counters

The changed trunk group usage counter is given below. For a description of the counter, see the Cisco BTS 10200 Softswitch Operations and Maintenance Guide.

- TRKGRP\_OUTBOUND\_FAIL

## Call Processing Counters

This section lists the new and changed call processing counters.

### New Call Processing Counters

The new call processing counters are as follows. See the *Cisco BTS 10200 Softswitch Operations and Maintenance Guide* for the description of these counters.

- CALLP\_SIP\_ORIG\_CALL\_ABDN

- CALLP\_SIP\_ORIG\_CALL\_NOT\_ANS
- CALLP\_SIP\_ORIG\_END\_USR\_BUSY
- CALLP\_SIP\_TERM\_CALL\_ABDN
- CALLP\_SIP\_TERM\_CALL\_NOT\_ANS
- CALLP\_SIP\_TERM\_END\_USR\_BUSY
- CALLP\_SIP\_ORIG\_SUCC
- CALLP\_SIP\_TERM\_SUCC

**Note**

---

The New Call Processing counters are pegged when the SIP signalling protocol is used.

---

## Changed Call Processing Counters

The changed Call Processing counters are as follows. See the Cisco BTS 10200 Softswitch Operations and Maintenance Guide for the descriptions of these counters.

- CALLP\_SIP\_ORIG\_FAIL
- CALLP\_SIP\_TERM\_FAIL

