



Configuring IP Multicast Routing

This chapter describes how to configure IP multicast routing on the Cisco Industrial Ethernet 5000 Series switch, hereafter referred to as *switch*. IP multicasting is a more efficient way to use network resources, especially for bandwidth-intensive services such as audio and video. IP multicast routing enables a host (source) to send packets to a group of hosts (receivers) anywhere within the IP network by using a special form of IP address called the IP *multicast group address*. The sending host inserts the multicast group address into the IP destination address field of the packet, and IP multicast routers and multilayer switches forward incoming IP multicast packets out all interfaces that lead to members of the multicast group. Any host, regardless of whether it is a member of a group, can send to a group. However, only the members of a group receive the message.

Note: For complete syntax and usage information for the commands used in this chapter, see the documents listed in the [Related Documents, page 742](#).

This chapter includes the following sections:

- [Information About Cisco's Implementation of IP Multicast Routing, page 687](#)
- [Prerequisites, page 697](#)
- [Guidelines and Limitations, page 698](#)
- [Default Settings, page 700](#)
- [Configuring IP Multicast Routing, page 700](#)
- [Configuring Advanced PIM Features, page 722](#)
- [Configuring Optional IGMP Features, page 724](#)
- [Configuring Optional Multicast Routing Features, page 733](#)
- [Verifying Configuration, page 737](#)
- [Configuration Example, page 739](#)
- [Related Documents, page 742](#)

Information About Cisco's Implementation of IP Multicast Routing

The switch supports these protocols to implement IP multicast routing:

- Internet Group Management Protocol (IGMP) is used among hosts on a LAN and the routers (and multilayer switches) on that LAN to track the multicast groups of which hosts are members.
- Protocol-Independent Multicast (PIM) protocol is used among routers and multilayer switches to track which multicast packets to forward to each other and to their directly connected LANs.

According to IPv4 multicast standards, the MAC destination multicast address begins with 0100:5e and is appended by the last 23 bits of the IP address. On the switch, if the multicast packet does not match the switch multicast address, the packets are treated in this way:

- If the packet has a multicast IP address and a unicast MAC address, the packet is forwarded in software. This can occur because some protocols on legacy devices use unicast MAC addresses with multicast IP addresses.
- If the packet has a multicast IP address and an unmatched multicast MAC address, the packet is dropped.

This section includes the following topics:

- [Information About IGMP, page 688](#)
- [Information About PIM, page 689](#)
- [Information About Source-Specific Multicast, page 693](#)
- [Information About Source Specific Multicast Mapping, page 695](#)
- [Information About PIM Shared Tree and Source Tree, page 696](#)

Information About IGMP

To participate in IP multicasting, multicast hosts, routers, and multilayer switches must have the IGMP operating. This protocol defines the querier and host roles:

- A querier is a network device that sends query messages to discover which network devices are members of a given multicast group.
- A host is a receiver that sends report messages (in response to query messages) to inform a querier of a host membership.

A set of queriers and hosts that receive multicast data streams from the same source is called a multicast group. Queriers and hosts use IGMP messages to join and leave multicast groups.

Any host, regardless of whether it is a member of a group, can send to a group. However, only the members of a group receive the message. Membership in a multicast group is dynamic; hosts can join and leave at any time. There is no restriction on the location or number of members in a multicast group. A host can be a member of more than one multicast group at a time. How active a multicast group is and what members it has can vary from group to group and from time to time. A multicast group can be active for a long time, or it can be very short-lived. Membership in a group can constantly change. A group that has members can have no activity.

IP multicast traffic uses group addresses, which are class D addresses. The high-order bits of a Class D address are 1110. Therefore, host group addresses can be in the range 224.0.0.0 through 239.255.255.255. Multicast addresses in the range 224.0.0.0 to 24.0.0.255 are reserved for use by routing protocols and other network control traffic. The address 224.0.0.0 is guaranteed not to be assigned to any group.

IGMP packets are sent using these IP multicast group addresses:

- IGMP general queries are destined to the address 224.0.0.1 (all systems on a subnet).
- IGMP group-specific queries are destined to the group IP address for which the switch is querying.
- IGMP group membership reports are destined to the group IP address for which the switch is reporting.
- IGMP Version 2 (IGMPv2) leave messages are destined to the address 224.0.0.2 (all-multicast-routers on a subnet). In some old host IP stacks, leave messages might be destined to the group IP address rather than to the all-routers address.

IGMP Version 1

IGMP Version 1 (IGMPv1) primarily uses a query-response model that enables the multicast router and multilayer switch to find which multicast groups are active (have one or more hosts interested in a multicast group) on the local subnet. IGMPv1 has other processes that enable a host to join and leave a multicast group. For more information, see RFC 1112.

IGMP Version 2

IGMPv2 extends IGMP functionality by providing such features as the IGMP leave process to reduce leave latency, group-specific queries, and an explicit maximum query response time. IGMPv2 also adds the capability for routers to elect the IGMP querier without depending on the multicast protocol to perform this task. For more information, see RFC 2236.

Information About PIM

PIM is called *protocol-independent*: regardless of the unicast routing protocols used to populate the unicast routing table, PIM uses this information to perform multicast forwarding instead of maintaining a separate multicast routing table.

PIM is defined in RFC 2362, *Protocol-Independent Multicast-Sparse Mode (PIM-SM): Protocol Specification*. PIM is defined in these Internet Engineering Task Force (IETF) Internet drafts:

- *Protocol Independent Multicast (PIM): Motivation and Architecture*
- *Protocol Independent Multicast (PIM), Dense Mode Protocol Specification*
- *Protocol Independent Multicast (PIM), Sparse Mode Protocol Specification*
- *draft-ietf-idmr-igmp-v2-06.txt, Internet Group Management Protocol, Version 2*
- *draft-ietf-pim-v2-dm-03.txt, PIM Version 2 Dense Mode*

This section includes the following topics:

- [PIM Versions, page 689](#)
- [PIM Modes, page 690](#)
- [PIM Stub Routing, page 690](#)
- [IGMP Helper, page 691](#)
- [Auto-RP, page 691](#)
- [Bootstrap Router, page 692](#)
- [Multicast Forwarding and Reverse Path Check, page 692](#)

PIM Versions

PIMv2 includes these improvements over PIMv1:

- A single, active rendezvous point (RP) exists per multicast group, with multiple backup RPs. This single RP compares to multiple active RPs for the same group in PIMv1.
- A bootstrap router (BSR) provides a fault-tolerant, automated RP discovery and distribution mechanism that enables routers and multilayer switches to dynamically learn the group-to-RP mappings.
- Sparse mode and dense mode are properties of a group, as opposed to an interface. We strongly recommend sparse-dense mode, as opposed to either sparse mode or dense mode only.
- PIM join and prune messages have more flexible encoding for multiple address families.
- A more flexible hello packet format replaces the query packet to encode current and future capability options.
- Register messages to an RP specify whether they are sent by a border router or a designated router.

- PIM packets are no longer inside IGMP packets; they are standalone packets.

PIM Modes

PIM can operate in dense mode (DM), sparse mode (SM), or in sparse-dense mode (PIM DM-SM), which handles both sparse groups and dense groups at the same time.

PIM DM

PIM DM builds source-based multicast distribution trees. In dense mode, a PIM DM router or multilayer switch assumes that all other routers or multilayer switches forward multicast packets for a group. If a PIM DM device receives a multicast packet and has no directly connected members or PIM neighbors present, a prune message is sent back to the source to stop unwanted multicast traffic. Subsequent multicast packets are not flooded to this router or switch on this pruned branch because branches without receivers are pruned from the distribution tree, leaving only branches that contain receivers.

When a new receiver on a previously pruned branch of the tree joins a multicast group, the PIM DM device detects the new receiver and immediately sends a graft message up the distribution tree toward the source. When the upstream PIM DM device receives the graft message, it immediately puts the interface on which the graft was received into the forwarding state so that the multicast traffic begins flowing to the receiver.

PIM SM

PIM SM uses shared trees and shortest-path-trees (SPTs) to distribute multicast traffic to multicast receivers in the network. In PIM SM, a router or multilayer switch assumes that other routers or switches do not forward multicast packets for a group, unless there is an explicit request for the traffic (join message). When a host joins a multicast group using IGMP, its directly connected PIM SM device sends PIM join messages toward the root, also known as the RP. This join message travels router-by-router toward the root, constructing a branch of the shared tree as it goes.

The RP keeps track of multicast receivers. It also registers sources through register messages received from the source's first-hop router (*designated router* [DR]) to complete the shared tree path from the source to the receiver. When using a shared tree, sources must send their traffic to the RP so that the traffic reaches all receivers.

Prune messages are sent up the distribution tree to prune multicast group traffic. This action permits branches of the shared tree or SPT that were created with explicit join messages to be torn down when they are no longer needed.

PIM Stub Routing

The PIM stub routing feature reduces resource usage by moving routed traffic closer to the end user.

In a network using PIM stub routing, the only allowable route for IP traffic to the user is through a switch that is configured with PIM stub routing. PIM passive interfaces are connected to Layer 2 access domains, such as VLANs, or to interfaces that are connected to other Layer 2 devices. Only directly connected multicast (IGMP) receivers and sources are allowed in the Layer 2 access domains. The PIM passive interfaces do not send or process any received PIM control packets.

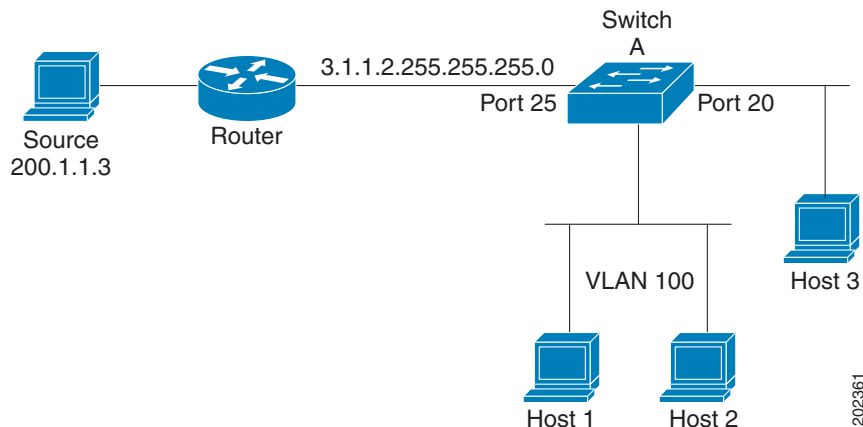
When using PIM stub routing, you should configure the distribution and remote routers to use IP multicast routing and configure only the switch as a PIM stub router. The switch does not route transit traffic between distribution routers. You also need to configure a routed uplink port on the switch. The switch uplink port cannot be used with SVIs. If you need PIM for an SVI uplink port, you should upgrade to the IP services feature set.

You must also configure EIGRP stub routing when configuring PIM stub routing on the switch.

The redundant PIM stub router topology is not supported. The redundant topology exists when there is more than one PIM router forwarding multicast traffic to a single access domain. PIM messages are blocked, and the PIM assert and designated router election mechanisms are not supported on the PIM passive interfaces. Only the nonredundant access router topology is supported by the PIM stub feature. By using a nonredundant topology, the PIM passive interface assumes that it is the only interface and designated router on that access domain.

In [Figure 86 on page 691](#), Switch A routed uplink port 25 is connected to the router and PIM stub routing is enabled on the VLAN 100 interfaces and on Host 3. This configuration allows the directly connected hosts to receive traffic from multicast source 200.1.1.3. See [Configuring PIM Stub Routing, page 703](#) for more information.

Figure 86 PIM Stub Router Configuration



IGMP Helper

PIM stub routing moves routed traffic closer to the end user and reduces network traffic. You can also reduce traffic by configuring a stub router (switch) with the IGMP helper feature.

You can configure a stub router (switch) with the **igmp helper help-address** interface configuration command to enable the switch to send reports to the next-hop interface. Hosts that are not directly connected to a downstream router can then join a multicast group sourced from an upstream network. The IGMP packets from a host wanting to join a multicast stream are forwarded upstream to the next-hop device when this feature is configured. When the upstream central router receives the helper IGMP reports or leaves, it adds or removes the interfaces from its outgoing interface list for that group.

For complete syntax and usage information for the **ip igmp helper-address** command, see the [Cisco IOS IP Multicast Command Reference](#).

Auto-RP

This proprietary feature eliminates the need to manually configure the RP information in every router and multilayer switch in the network. For Auto-RP to work, you configure a Cisco router or multilayer switch as the mapping agent. It uses IP multicast to learn which routers or switches in the network are possible candidate RPs to receive candidate RP announcements. Candidate RPs periodically send multicast RP-announce messages to a particular group or group range to announce their availability.

Mapping agents listen to these candidate RP announcements and use the information to create entries in their Group-to-RP mapping caches. Only one mapping cache entry is created for any Group-to-RP range received, even if multiple candidate RPs are sending RP announcements for the same range. As the RP-announce messages arrive, the mapping agent selects the router or switch with the highest IP address as the active RP and stores this RP address in the Group-to-RP mapping cache.

Mapping agents periodically multicast the contents of their Group-to-RP mapping cache. Thus, all routers and switches automatically discover which RP to use for the groups they support. If a router or switch fails to receive RP-discovery messages and the Group-to-RP mapping information expires, it switches to a statically configured RP that was defined with the **ip pim rp-address** global configuration command. If no statically configured RP exists, the router or switch changes the group to dense-mode operation.

Multiple RPs serve different group ranges or serve as hot backups of each other.

Bootstrap Router

PIMv2 BSR is another method to distribute group-to-RP mapping information to all PIM routers and multilayer switches in the network. It eliminates the need to manually configure RP information in every router and switch in the network. However, instead of using IP multicast to distribute group-to-RP mapping information, BSR uses hop-by-hop flooding of special BSR messages to distribute the mapping information.

The BSR is elected from a set of candidate routers and switches in the domain that have been configured to function as BSRs. The election mechanism is similar to the root-bridge election mechanism used in bridged LANs. The BSR election is based on the BSR priority of the device contained in the BSR messages that are sent hop-by-hop through the network. Each BSR device examines the message and forwards out all interfaces only the message that has either a higher BSR priority than its BSR priority or the same BSR priority, but with a higher BSR IP address. Using this method, the BSR is elected.

The elected BSR sends BSR messages with a TTL of 1. Neighboring PIMv2 routers or multilayer switches receive the BSR message and multicast it out all other interfaces (except the one on which it was received) with a TTL of 1. In this way, BSR messages travel hop-by-hop throughout the PIM domain. Because BSR messages contain the IP address of the current BSR, the flooding mechanism enables candidate RPs to automatically learn which device is the elected BSR.

Candidate RPs send candidate RP advertisements showing the group range for which they are responsible to the BSR, which stores this information in its local candidate-RP cache. The BSR periodically advertises the contents of this cache in BSR messages to all other PIM devices in the domain. These messages travel hop-by-hop through the network to all routers and switches, which store the RP information in the BSR message in their local RP cache. The routers and switches select the same RP for a given group because they all use a common RP hashing algorithm.

Multicast Forwarding and Reverse Path Check

With unicast routing, routers and multilayer switches forward traffic through the network along a single path from the source to the destination host whose IP address appears in the destination address field of the IP packet. Each router and switch along the way makes a unicast forwarding decision, using the destination IP address in the packet, by looking up the destination address in the unicast routing table and forwarding the packet through the specified interface to the next hop toward the destination.

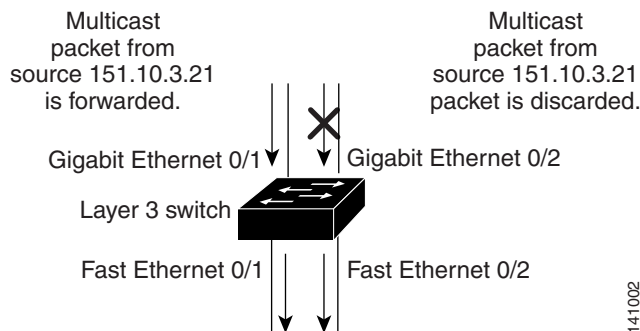
With multicasting, the source is sending traffic to an arbitrary group of hosts represented by a multicast group address in the destination address field of the IP packet. To decide whether to forward or drop an incoming multicast packet, the router or multilayer switch uses a reverse path forwarding (RPF) check on the packet as follows and shown in [Figure 87 on page 693](#):

1. The router or multilayer switch examines the source address of the arriving multicast packet to decide whether the packet arrived on an interface that is on the reverse path back to the source.
2. If the packet arrives on the interface leading back to the source, the RPF check is successful and the packet is forwarded to all interfaces in the outgoing interface list (which might not be all interfaces on the router).
3. If the RPF check fails, the packet is discarded.

Some multicast routing protocols maintain a separate multicast routing table and use it for the RPF check. However, PIM uses the unicast routing table to perform the RPF check.

[Figure 87 on page 693](#) shows port 2 receiving a multicast packet from source 151.10.3.21. Table 1 shows that the port on the reverse path to the source is port 1, not port 2. Because the RPF check fails, the multilayer switch discards the packet. Another multicast packet from source 151.10.3.21 is received on port 1, and the routing table shows this port is on the reverse path to the source. Because the RPF check passes, the switch forwards the packet to all ports in the outgoing port list.

Figure 87 RPF Check



141002

Network	Port
151.10.0.0/16	Gigabit Ethernet 0/1
198.14.32.0/32	Fast Ethernet 0/1
204.1.16.0/24	Fast Ethernet 0/2

PIM uses both source trees and RP-rooted shared trees to forward datagrams (described in the [PIM DM, page 690](#) and the [PIM SM, page 690](#)). The RPF check is performed differently for each:

- If a PIM router or multilayer switch has a source-tree state (that is, an (S,G) entry is present in the multicast routing table), it performs the RPF check against the IP address of the source of the multicast packet.
- If a PIM router or multilayer switch has a shared-tree state (and no explicit source-tree state), it performs the RPF check on the RP address (which is known when members join the group).

Sparse-mode PIM uses the RPF lookup function to decide where it needs to send joins and prunes:

- (S,G) joins (which are source-tree states) are sent toward the source.
- (*,G) joins (which are shared-tree states) are sent toward the RP.

Dense-mode PIM uses only source trees and uses RPF as previously described.

Information About Source-Specific Multicast

The Source-Specific Multicast (SSM) feature is an extension of IP multicast in which datagram traffic is forwarded to receivers from only those multicast sources that the receivers have explicitly joined. For multicast groups configured for SSM, only SSM distribution trees (no shared trees) are created.

SSM Components Overview

SSM is a datagram delivery model that best supports one-to-many applications, also known as broadcast applications. SSM is a core networking technology for the Cisco implementation of IP multicast solutions targeted for audio and video broadcast application environments. The switch supports these components that support the implementation of SSM:

- Protocol independent multicast source-specific mode (PIM-SSM)
 - PIM-SSM is the routing protocol that supports the implementation of SSM and is derived from PIM sparse mode (PIM-SM).
- Internet Group Management Protocol version 3 (IGMPv3)

To run SSM with IGMPv3, SSM must be supported in the Cisco IOS router, the host where the application is running, and the application itself.

How SSM Differs from Internet Standard Multicast

The current IP multicast infrastructure in the Internet and many enterprise intranets is based on the PIM-SM protocol and Multicast Source Discovery Protocol (MSDP). These protocols have the limitations of the Internet Standard Multicast (ISM) service model. For example, with ISM, the network must maintain knowledge about which hosts in the network are actively sending multicast traffic.

The ISM service consists of the delivery of IP datagrams from any source to a group of receivers called the multicast host group. The datagram traffic for the multicast host group consists of datagrams with an arbitrary IP unicast source address S and the multicast group address G as the IP destination address. Systems receive this traffic by becoming members of the host group.

Membership in a host group simply requires signalling the host group through IGMP version 1, 2, or 3. In SSM, delivery of datagrams is based on (S, G) channels. In both SSM and ISM, no signalling is required to become a source. However, in SSM, receivers must subscribe or unsubscribe to (S, G) channels to receive or not receive traffic from specific sources. In other words, receivers can receive traffic only from (S, G) channels to which they are subscribed, whereas in ISM, receivers need not know the IP addresses of sources from which they receive their traffic. The proposed standard approach for channel subscription signalling use IGMP include mode membership reports, which are supported only in IGMP version 3.

SSM IP Address Range

SSM can coexist with the ISM service by applying the SSM delivery model to a configured subset of the IP multicast group address range. Cisco IOS software allows SSM configuration for the IP multicast address range of 224.0.0.0 through 239.255.255.255. When an SSM range is defined, existing IP multicast receiver applications do not receive any traffic when they try to use an address in the SSM range (unless the application is modified to use an explicit (S, G) channel subscription).

SSM Operations

An established network, in which IP multicast service is based on PIM-SM, can support SSM services. SSM can also be deployed alone in a network without the full range of protocols that are required for interdomain PIM-SM (for example, MSDP, Auto-RP, or bootstrap router [BSR]) if only SSM service is needed.

If SSM is deployed in a network already configured for PIM-SM, only the last-hop routers support SSM. Routers that are not directly connected to receivers do not require support for SSM. In general, these not-last-hop routers must only run PIM-SM in the SSM range and might need additional access control configuration to suppress MSDP signalling, registering, or PIM-SM shared tree operations from occurring within the SSM range.

Use the **ip pim ssm** global configuration command to configure the SSM range and to enable SSM. This configuration has the following effects:

- For groups within the SSM range, (S, G) channel subscriptions are accepted through IGMPv3 include-mode membership reports.
- PIM operations within the SSM range of addresses change to PIM-SSM, a mode derived from PIM-SM. In this mode, only PIM (S, G) join and prune messages are generated by the router, and no (S, G) rendezvous point tree (RPT) or (*, G) RPT messages are generated. Incoming messages related to RPT operations are ignored or rejected, and incoming PIM register messages are immediately answered with register-stop messages. PIM-SSM is backward-compatible with PIM-SM unless a router is a last-hop router. Therefore, routers that are not last-hop routers can run PIM-SM for SSM groups (for example, if they do not yet support SSM).
- No MSDP source-active (SA) messages within the SSM range are accepted, generated, or forwarded.

IGMPv3 Host Signalling

In IGMPv3, hosts signal membership to last hop routers of multicast groups. Hosts can signal group membership with filtering capabilities with respect to sources. A host can either signal that it wants to receive traffic from all sources sending to a group except for some specific sources (called exclude mode), or that it wants to receive traffic only from some specific sources sending to the group (called include mode).

IGMPv3 can operate with both ISM and SSM. In ISM, both exclude and include mode reports are applicable. In SSM, only include mode reports are accepted by the last-hop router. Exclude mode reports are ignored.

Information About Source Specific Multicast Mapping

The Source Specific Multicast (SSM) mapping feature supports SSM transition when supporting SSM on the end system is impossible or unwanted due to administrative or technical reasons. You can use SSM mapping to leverage SSM for video delivery to legacy STBs that do not support IGMPv3 or for applications that do not use the IGMPv3 host stack.

In a typical STB deployment, each TV channel uses one separate IP multicast group and has one active server host sending the TV channel. A single server can send multiple TV channels, but each to a different group. In this network environment, if a router receives an IGMPv1 or IGMPv2 membership report for a particular group, the report addresses the well-known TV server for the TV channel associated with the multicast group.

When SSM mapping is configured, if a router receives an IGMPv1 or IGMPv2 membership report for a particular group, the router translates this report into one or more channel memberships for the well-known sources associated with this group.

When the router receives an IGMPv1 or IGMPv2 membership report for a group, the router uses SSM mapping to determine one or more source IP addresses for the group. SSM mapping then translates the membership report as an IGMPv3 report and continues as if it had received an IGMPv3 report. The router then sends PIM joins and continues to be joined to these groups as long as it continues to receive the IGMPv1 or IGMPv2 membership reports, and the SSM mapping for the group remains the same.

SSM mapping enables the last hop router to determine the source addresses either by a statically configured table on the router or through a DNS server. When the statically configured table or the DNS mapping changes, the router leaves the current sources associated with the joined groups.

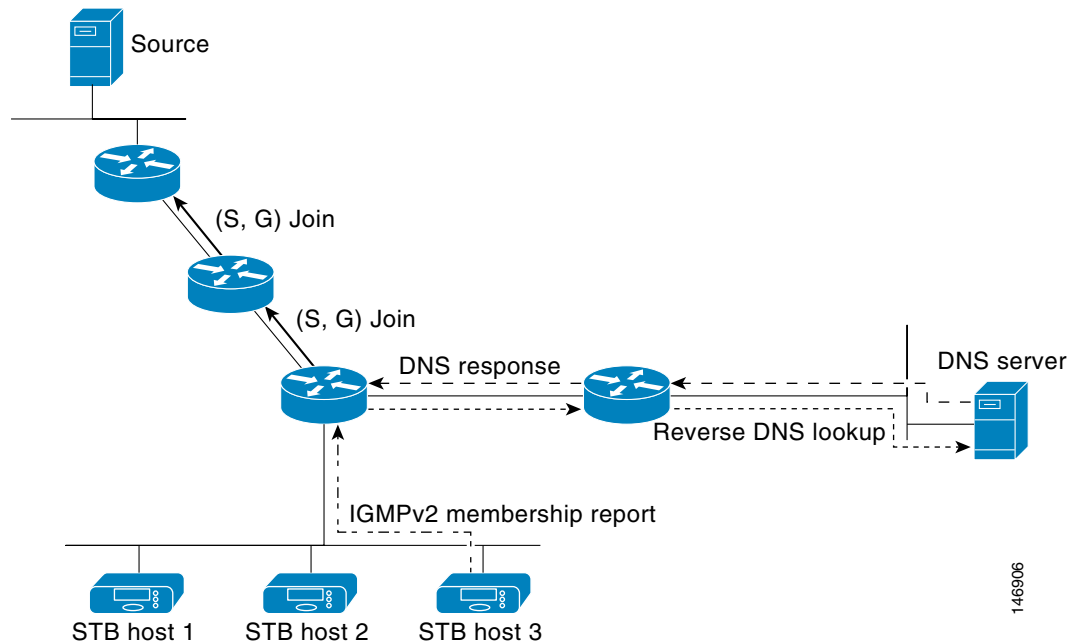
Static SSM Mapping

With static SSM mapping, you can configure the last hop router to use a static map to determine the sources that are sending to groups. Static SSM mapping requires that you configure ACLs to define group ranges. Then you can map the groups permitted by those ACLs to sources by using the **ip igmp static ssm-map** global configuration command.

You can configure static SSM mapping in smaller networks when a DNS is not needed or to locally override DNS mappings. When configured, static SSM mappings take precedence over DNS mappings.

DNS-Based SSM Mapping

You can use DNS-based SSM mapping to configure the last hop router to perform a reverse DNS lookup to determine sources sending to groups. When DNS-based SSM mapping is configured, the router constructs a domain name that includes the group address and performs a reverse lookup into the DNS. The router looks up IP address resource records and uses them as the source addresses associated with this group. SSM mapping supports up to 20 sources for each group. The router joins all sources configured for a group (see [Figure 88 on page 696](#)).

Figure 88 DNS-Based SSM-Mapping

The SSM mapping mechanism that enables the last hop router to join multiple sources for a group can provide source redundancy for a TV broadcast. In this context, the last hop router provides redundancy using SSM mapping to simultaneously join two video sources for the same TV channel. However, to prevent the last hop router from duplicating the video traffic, the video sources must use a server-side switchover mechanism. One video source is active, and the other backup video source is passive. The passive source waits until an active source failure is detected before sending the video traffic for the TV channel. Thus, the server-side switchover mechanism ensures that only one of the servers is actively sending video traffic for the TV channel.

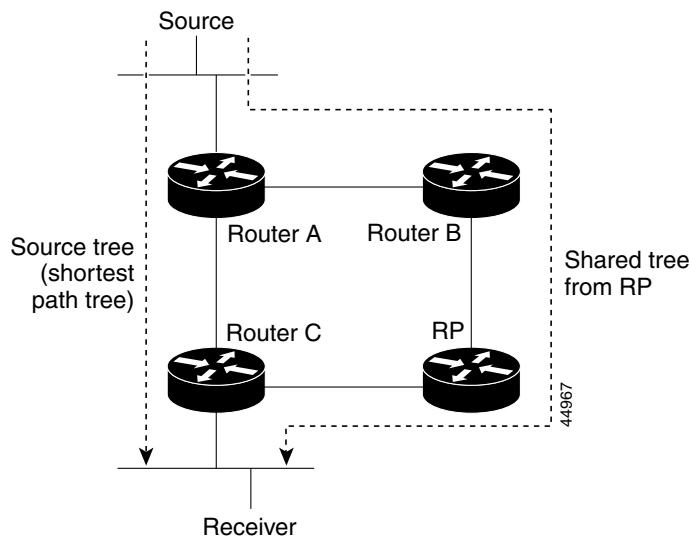
To look up one or more source addresses for a group that includes G1, G2, G3, and G4, you must configure these DNS records on the DNS server:

```
G4.G3.G2.G1 [multicast-domain] [timeout]IN A source-address-1
      IN A source-address-2
      IN A source-address-n
```

Refer to your DNS server documentation for more information about configuring DNS resource records.

Information About PIM Shared Tree and Source Tree

By default, members of a group receive data from senders to the group across a single data-distribution tree rooted at the RP. [Figure 89 on page 697](#) shows this type of shared-distribution tree. Data from senders is delivered to the RP for distribution to group members joined to the shared tree.

Figure 89 Shared Tree and Source Tree (Shortest-Path Tree)

If the data rate warrants, leaf routers (routers without any downstream connections) on the shared tree can use the data distribution tree rooted at the source. This type of distribution tree is called a shortest-path tree or source tree. By default, the software switches to a source tree upon receiving the first data packet from a source.

This process describes the move from a shared tree to a source tree:

1. A receiver joins a group; leaf Router C sends a join message toward the RP.
2. The RP puts a link to Router C in its outgoing interface list.
3. A source sends data; Router A encapsulates the data in a register message and sends it to the RP.
4. The RP forwards the data down the shared tree to Router C and sends a join message toward the source. At this point, data might arrive twice at Router C, once encapsulated and once natively.
5. When data arrives natively (unencapsulated) at the RP, it sends a register-stop message to Router A.
6. By default, reception of the first data packet prompts Router C to send a join message toward the source.
7. When Router C receives data on (S,G), it sends a prune message for the source up the shared tree.
8. The RP deletes the link to Router C from the outgoing interface of (S,G). The RP triggers a prune message toward the source.

Join and prune messages are sent for sources and RPs. They are sent hop-by-hop and are processed by each PIM device along the path to the source or RP. Register and register-stop messages are not sent hop-by-hop. They are sent by the designated router that is directly connected to a source and are received by the RP for the group.

Multiple sources sending to groups use the shared tree.

You can configure the PIM device to stay on the shared tree. For more information, see [Delaying the Use of PIM Shortest-Path Tree](#), page 722.

Prerequisites

- To use multicast routing, the switch must be running the IP services image.

- Be familiar with the information in the [Information About Cisco's Implementation of IP Multicast Routing, page 687](#) and [Guidelines and Limitations, page 698](#).

Guidelines and Limitations

PIMv1 and PIMv2 Interoperability

The Cisco PIMv2 implementation provides interoperability and transition between Version 1 and Version 2, although there might be some minor problems.

You can upgrade to PIMv2 incrementally. PIM Versions 1 and 2 can be configured on different routers and multilayer switches within one network. Internally, all routers and multilayer switches on a shared media network must run the same PIM version. Therefore, if a PIMv2 device detects a PIMv1 device, the Version 2 device downgrades itself to Version 1 until all Version 1 devices have been shut down or upgraded.

PIMv2 uses the BSR to discover and announce RP-set information for each group prefix to all the routers and multilayer switches in a PIM domain. PIMv1, together with the Auto-RP feature, can perform the same tasks as the PIMv2 BSR. However, Auto-RP is a standalone protocol, separate from PIMv1, and is a proprietary Cisco protocol. PIMv2 is a standards track protocol in the IETF. We recommend that you use PIMv2. The BSR mechanism interoperates with Auto-RP on Cisco routers and multilayer switches. For more information, see [Auto-RP and BSR Configuration Guidelines, page 698](#).

When PIMv2 devices interoperate with PIMv1 devices, Auto-RP should have already been deployed. A PIMv2 BSR that is also an Auto-RP mapping agent automatically advertises the RP elected by Auto-RP. That is, Auto-RP sets its single RP on every router or multilayer switch in the group. Not all routers and switches in the domain use the PIMv2 hash function to select multiple RPs.

Dense-mode groups in a mixed PIMv1 and PIMv2 region need no special configuration; they automatically interoperate.

Sparse-mode groups in a mixed PIMv1 and PIMv2 region are possible because the Auto-RP feature in PIMv1 interoperates with the PIMv2 RP feature. Although all PIMv2 devices can also use PIMv1, we recommend that the RPs be upgraded to PIMv2. To ease the transition to PIMv2, we have these recommendations:

- Use Auto-RP throughout the region.
- Configure sparse-dense mode throughout the region.

If Auto-RP is not already configured in the PIMv1 regions, configure Auto-RP. For more information, see [Configuring Auto-RP, page 711](#).

Auto-RP and BSR Configuration Guidelines

There are two approaches to using PIMv2. You can use Version 2 exclusively in your network or migrate to Version 2 by employing a mixed PIM version environment.

- If your network is all Cisco routers and multilayer switches, you can use either Auto-RP or BSR.
- If you have non-Cisco routers in your network, you must use BSR.
- If you have Cisco PIMv1 and PIMv2 routers and multilayer switches and non-Cisco routers, you must use both Auto-RP and BSR. If your network includes routers from other vendors, configure the Auto-RP mapping agent and the BSR on a Cisco PIMv2 device. Ensure that no PIMv1 device is located in the path a between the BSR and a non-Cisco PIMv2 device.
- Because bootstrap messages are sent hop-by-hop, a PIMv1 device prevents these messages from reaching all routers and multilayer switches in your network. Therefore, if your network has a PIMv1 device in it and only Cisco routers and multilayer switches, it is best to use Auto-RP.
- If you have a network that includes non-Cisco routers, configure the Auto-RP mapping agent and the BSR on a Cisco PIMv2 router or multilayer switch. Ensure that no PIMv1 device is on the path between the BSR and a non-Cisco PIMv2 router.

- If you have non-Cisco PIMv2 routers that need to interoperate with Cisco PIMv1 routers and multilayer switches, both Auto-RP and a BSR are required. We recommend that a Cisco PIMv2 device be both the Auto-RP mapping agent and the BSR. For more information, see [Using Auto-RP and a BSR, page 721](#).

PIM Stub Routing Configuration Guidelines

Guidelines and limitations for PIM stub routing are as follows:

- Before configuring PIM stub routing, you must have IP multicast routing configured on both the stub router and the central router. You must also have PIM mode (dense-mode, sparse-mode, or dense-sparse-mode) configured on the uplink interface of the stub router.
- The PIM stub router does not route the transit traffic between the distribution routers. Unicast (EIGRP) stub routing enforces this behavior. You must configure unicast stub routing to assist the PIM stub router behavior.
- Only directly connected multicast (IGMP) receivers and sources are allowed in the Layer 2 access domains. The PIM protocol is not supported in access domains.
- The redundant PIM stub router topology is not supported.

Restrictions for Legacy Applications Within the SSM Range

Existing applications in a network predating Source-Specific Multicast (SSM) do not work within the SSM range unless they are modified to support (S, G) channel subscriptions. Therefore, enabling SSM in a network can cause problems for existing applications if they use addresses within the designated SSM range.

Address Management Restrictions

Address management is still necessary to some degree when SSM is used with Layer 2 switching mechanisms. Cisco Group Management Protocol (CGMP), IGMP snooping, or Router-Port Group Management Protocol (RGMP) support only group-specific filtering, not (S, G) channel-specific filtering. If different receivers in a switched network request different (S, G) channels sharing the same group, they do not benefit from these existing mechanisms. Instead, both receivers receive all (S, G) channel traffic and filter out the unwanted traffic on input. Because SSM can re-use the group addresses in the SSM range for many independent applications, this situation can lead to decreased traffic filtering in a switched network. For this reason, it is important to use random IP addresses from the SSM range for an application to minimize the chance for re-use of a single address within the SSM range between different applications. For example, an application service providing a set of television channels should, even with SSM, use a different group for each television (S, G) channel. This setup guarantees that multiple receivers to different channels within the same application service never experience traffic aliasing in networks that include Layer 2 switches.

IGMP Snooping and CGMP Limitations

IGMPv3 uses new membership report messages that might not be correctly recognized by older IGMP snooping switches.

For more information about switching issues related to IGMP (especially with CGMP), refer to the “Configuring IGMP Version 3” section of the “Configuring IP Multicast Routing” chapter.

State Maintenance Limitations

In PIM-SSM, the last hop router continues to periodically send (S, G) join messages if appropriate (S, G) subscriptions are on the interfaces. Therefore, as long as receivers send (S, G) subscriptions, the shortest path tree (SPT) state from the receivers to the source is maintained, even if the source does not send traffic for longer periods of time (or even never).

This case is opposite to PIM-SM, where (S, G) state is maintained only if the source is sending traffic and receivers are joining the group. If a source stops sending traffic for more than 3 minutes in PIM-SM, the (S, G) state is deleted and only re-established after packets from the source arrive again through the RPT. Because no mechanism in PIM-SSM notifies a receiver that a source is active, the network must maintain the (S, G) state in PIM-SSM as long as receivers are requesting receipt of that channel.

SSM Mapping Configuration Guidelines

Guidelines and limitations for SSM mapping:

- The SSM mapping feature does not have all the benefits of full SSM. Because SSM mapping takes a group join from a host and identifies this group with an application associated with one or more sources, it can only support one such application per group. Full SSM applications can still share the same group as in SSM mapping.
- Enable IGMPv3 with care on the last hop router when you rely solely on SSM mapping as a transition solution for full SSM. When you enable both SSM mapping and IGMPv3 and the hosts already support IGMPv3 (but not SSM), the hosts send IGMPv3 group reports. SSM mapping does not support these IGMPv3 group reports, and the router does not correctly associate sources with these reports.

Default Settings

Feature	Default Setting
Multicast routing	Disabled on all interfaces.
PIM version	Version 2.
PIM mode	No mode is defined.
PIM RP address	None configured.
PIM domain border	Disabled.
PIM multicast boundary	None.
Candidate BSRs	Disabled.
Candidate RPs	Disabled.
Shortest-path tree threshold rate	0 kbps.
PIM router query message interval	30 seconds.

Configuring IP Multicast Routing

This section includes the following topics:

- [Configuring Basic Multicast Routing, page 701](#) (required)
- [Configuring PIM Stub Routing, page 703](#) (optional)
- [Configuring Source-Specific Multicast, page 704](#)
- [Configuring SSM Mapping, page 705](#)
- [Configuring a Rendezvous Point, page 709](#) (required if the interface is in sparse-dense mode, and you want to treat the group as a sparse group)
- [Using Auto-RP and a BSR, page 721](#) (required for non-Cisco PIMv2 devices to interoperate with Cisco PIM v1 devices))
- [Monitoring the RP Mapping Information, page 721](#) (optional)
- [Troubleshooting PIMv1 and PIMv2 Interoperability Problems, page 722](#) (optional)

Configuring Basic Multicast Routing

You must enable IP multicast routing and configure the PIM version and the PIM mode. Then the software can forward multicast packets, and the switch can populate its multicast routing table.

Note: To enable IP multicast routing, the switch must be running the IP services image.

You can configure an interface to be in PIM dense mode, sparse mode, or sparse-dense mode. The switch populates its multicast routing table and forwards multicast packets it receives from its directly connected LANs according to the mode setting. You must enable PIM in one of these modes for an interface to perform IP multicast routing. Enabling PIM on an interface also enables IGMP operation on that interface.

Note: If you enable PIM on multiple interfaces and most of these interfaces are not part of the outgoing interface list, when IGMP snooping is disabled the outgoing interface might not be able to sustain line rate for multicast traffic because of the extra, unnecessary replication.

In populating the multicast routing table, dense-mode interfaces are always added to the table. Sparse-mode interfaces are added to the table only when periodic join messages are received from downstream devices or when there is a directly connected member on the interface. When forwarding from a LAN, sparse-mode operation occurs if there is an RP known for the group. If so, the packets are encapsulated and sent toward the RP. When no RP is known, the packet is flooded in a dense-mode fashion. If the multicast traffic from a specific source is sufficient, the receiver's first-hop router might send join messages toward the source to build a source-based distribution tree.

By default, multicast routing is disabled, and there is no default mode setting. Follow this procedure to enable IP multicasting, to configure a PIM version, and to configure a PIM mode. This procedure is required.

BEFORE YOU BEGIN

- Decide which PIM mode to use.
- Ensure that the interface on which you are enabling multicast routing has an IP address assigned to it.

DETAILED STEPS

	Command	Purpose
1.	configure terminal	Enter global configuration mode.
2.	ip multicast-routing distributed	Enable IP multicast distributed switching.
3.	interface <i>interface-id</i>	Specify the Layer 3 interface on which you want to enable multicast routing, and enter interface configuration mode. The specified interface must be one of the following: <ul style="list-style-type: none"> ■ A routed port: a physical port that has been configured as a Layer 3 port by entering the no switchport interface configuration command. ■ An SVI: a VLAN interface created by using the interface vlan <i>vlan-id</i> global configuration command.
4.	no shutdown	Enable the port, if necessary. By default, user network interfaces (UNIs) and enhanced network interfaces (ENIs) are disabled, and network node interfaces (NNIs) are enabled.
5.	ip pim version [1 2]	Configure the PIM version on the interface. By default, Version 2 is enabled and is the recommended setting. An interface in PIMv2 mode automatically downgrades to PIMv1 mode if that interface has a PIMv1 neighbor. The interface returns to Version 2 mode after all Version 1 neighbors are shut down or upgraded. For more information, see PIMv1 and PIMv2 Interoperability, page 698 .
6.	ip pim {dense-mode sparse-mode sparse-dense-mode}	Enable a PIM mode on the interface. By default, no mode is configured. The keywords have these meanings: <ul style="list-style-type: none"> ■ dense-mode—Enables dense mode of operation. ■ sparse-mode—Enables sparse mode of operation. If you configure sparse-mode, you must also configure an RP. For more information, see Configuring a Rendezvous Point, page 709. ■ sparse-dense-mode—Causes the interface to be treated in the mode in which the group belongs. Sparse-dense-mode is the recommended setting.
7.	end	Return to privileged EXEC mode.
8.	show running-config	Verify your entries.
9.	copy running-config startup-config	(Optional) Save your entries in the configuration file.

To disable multicasting, use the **no ip multicast-routing distributed** global configuration command. To return to the default PIM version, use the **no ip pim version** interface configuration command. To disable PIM on an interface, use the **no ip pim** interface configuration command.

EXAMPLE

This example enables IP multicast distributed switching and specifies the PIM mode:

```
Switch# configure terminal
Switch(config)# ip multicast-routing distributed
Switch(config)# interface GigabitEthernet 1/0/0
Switch(config-if)# ip pim sparse-dense-mode
Switch(config-if)# end
```

Configuring PIM Stub Routing

The PIM Stub routing feature supports multicast routing between the distribution layer and the access layer. It supports two types of PIM interfaces, uplink PIM interfaces, and PIM passive interfaces. A routed interface configured with the PIM passive mode does not pass or forward PIM control traffic, it only passes and forwards IGMP traffic.

This procedure is optional.

BEFORE YOU BEGIN

- You must have IP multicast routing configured on both the stub router and the central router.
- You must have PIM mode (dense-mode, sparse-mode, or dense-sparse-mode) configured on the uplink interface of the stub router.
- You must configure EIGRP stub routing to assist the PIM stub router behavior.

DETAILED STEPS

	Command	Purpose
1.	configure terminal	Enter global configuration mode.
2.	interface <i>interface-id</i>	Specify the interface on which you want to enable PIM stub routing, and enter interface configuration mode.
3.	ip pim passive	Configure the PIM stub feature on the interface.
4.	end	Return to privileged EXEC mode.
5.	show ip pim interface	Display the PIM stub that is enabled on each interface.
6.	show running-config	Verify your entries.
7.	copy running-config startup-config	(Optional) Save your entries in the configuration file.

To disable PIM stub routing on an interface, use the **no ip pim passive** interface configuration command.

EXAMPLE

In this example, IP multicast routing is enabled, Switch A PIM uplink port 25 is configured as a routed uplink port with **sparse-dense-mode enabled**. PIM stub routing is enabled on the VLAN 100 interfaces and on Gigabit Ethernet port 20 in [Figure 86 on page 691](#):

```
Switch(config)# ip multicast-routing distributed
Switch(config)# interface GigabitEthernet0/25
Switch(config-if)# no switchport
Switch(config-if)# ip address 3.1.1.2 255.255.255.0
Switch(config-if)# ip pim sparse-dense-mode
Switch(config-if)# exit
Switch(config)# interface vlan100
```

```
Switch(config-if)# ip pim passive
Switch(config-if)# exit
Switch(config)# interface GigabitEthernet0/20
Switch(config-if)# ip pim passive
Switch(config-if)# exit
Switch(config)# interface vlan100
Switch(config-if)# ip address 100.1.1.1 255.255.255.0
Switch(config-if)# ip pim passive
Switch(config-if)# exit
Switch(config)# interface GigabitEthernet0/20
Switch(config-if)# no switchport
Switch(config-if)# ip address 10.1.1.1 255.255.255.0
Switch(config-if)# ip pim passive
Switch(config-if)# end
```

To verify that PIM stub is enabled for each interface, use the **show ip pim interface** privileged EXEC command:

```
Switch# show ip pim interface
Address Interface Ver/ Nbr Query DR DR
Mode Count Intvl Prior
3.1.1.2 GigabitEthernet0/25 v2/SD 1 30 1 3.1.1.2
100.1.1.1 Vlan100 v2/P 0 30 1 100.1.1.1
10.1.1.1 GigabitEthernet0/20 v2/P 0 30 1 10.1.1.1
```

Use these privileged EXEC commands to display information about PIM stub configuration and status:

- **show ip pim interface** displays the PIM stub that is enabled on each interface.
- **show ip igmp detail** displays the interested clients that have joined the specific multicast source group.
- **show ip igmp mroute** verifies that the multicast stream forwards from the source to the interested clients.

Configuring Source-Specific Multicast

This section describes how to configure source-specific multicast (SSM).

BEFORE YOU BEGIN

See [Information About Source-Specific Multicast, page 693](#) and [Guidelines and Limitations, page 698](#).

DETAILED STEPS

	Command	Purpose
1.	ip pim ssm [default range <i>access-list</i>]	Define the SSM range of IP multicast addresses.
2.	interface <i>type number</i>	Select an interface that is connected to hosts on which IGMPv3 can be enabled, and enter the interface configuration mode.
3.	ip pim { sparse-mode sparse-dense-mode }	Enable PIM on an interface. You must use either sparse mode or sparse-dense mode .
4.	ip igmp version 3	Enable IGMPv3 on this interface. The default version of IGMP is set to Version 2.

EXAMPLE

The following example shows how to configure a device (running IGMPv3) for SSM:

```
ip multicast-routing
ip pim ssm default
!
```

```

interface GigabitEthernet3/1/0
 ip address 172.21.200.203 255.255.255.0
 description backbone interface
 ip pim sparse-mode
!
interface GigabitEthernet3/2/0
 ip address 131.108.1.2 255.255.255.0
 ip pim sparse-mode
 description ethernet connected to hosts
 ip igmp version 3
!
```

Verifying SSM Configuration

Command	Purpose
show ip igmp groups detail	Display the (S, G) channel subscription through IGMPv3.
show ip mroute	Display whether a multicast group supports SSM service or whether a source-specific host report was received.

Configuring SSM Mapping

This section includes the following topics:

- [Configuring Static SSM Mapping, page 705](#) (required)
- [Configuring DNS-Based SSM Mapping, page 706](#) (required)
- [Configuring Static Traffic Forwarding with SSM Mapping, page 708](#) (optional)

Configuring Static SSM Mapping

BEFORE YOU BEGIN

- See [Information About Source Specific Multicast Mapping, page 695](#) and [SSM Mapping Configuration Guidelines, page 700](#).
- Before you configure SSM mapping, enable IP multicast routing, enable PIM sparse mode, and configure SSM. For information on enabling IP multicast routing and PIM sparse mode, see [Configuring Basic Multicast Routing, page 701](#).
- Before you configure static SSM mapping, you must configure access control lists (ACLs) that define the group ranges to be mapped to source addresses.

DETAILED STEPS

	Command	Purpose
1.	configure terminal	Enter global configuration mode.
2.	ip igmp ssm-map enable	Enable SSM mapping for groups in the configured SSM range. Note: By default, this command enables DNS-based SSM mapping.
3.	no ip igmp ssm-map query dns	(Optional) Disable DNS-based SSM mapping. Note: Disable DNS-based SSM mapping if you only want to rely on static SSM mapping. By default, the ip igmp ssm-map global configuration command enables DNS-based SSM mapping.
4.	ip igmp ssm-map static <i>access-list</i> <i>source-address</i>	Configure static SSM mapping. The ACL supplied for <i>access-list</i> defines the groups to be mapped to the source IP address entered for the <i>source-address</i> . Note: You can configure additional static SSM mappings. If additional SSM mappings are configured and the router receives an IGMPv1 or IGMPv2 membership report for a group in the SSM range, the switch determines the source addresses associated with the group by using each configured ip igmp ssm-map static command. The switch associates up to 20 sources per group.
5.	Repeat Step 4 to configure additional static SSM mappings, if required.	–
6.	end	Return to privileged EXEC mode.
7.	show running-config	Verify your entries.
8.	copy running-config startup-config	(Optional) Save your entries in the configuration file.

EXAMPLE

The following example shows how to enable static SSM mapping. In this example, the router is configured to statically map groups that match ACL 11 to source address 172.16.8.11 and to statically map groups that match ACL 10 to source address 172.16.8.10.

```
Switch(config)# ip igmp ssm-map enable
Switch(config)# ip igmp ssm-map static 11 172.16.8.11
Switch(config)# ip igmp ssm-map static 10 172.16.8.10
Switch(config)# end
```

Configuring DNS-Based SSM Mapping

To configure DNS-based SSM mapping, you need to create a DNS server zone or add records to an existing zone. If the routers that are using DNS-based SSM mapping are also using DNS for other purposes, you should use a normally configured DNS server. If DNS-based SSM mapping is the only DNS implementation being used on the router, you can configure a false DNS setup with an empty root zone or a root zone that points back to itself.

BEFORE YOU BEGIN

- See [Information About Source Specific Multicast Mapping, page 695](#) and [SSM Mapping Configuration Guidelines, page 700](#).
- Before you configure SSM mapping, enable IP multicast routing, enable PIM sparse mode, and configure SSM. For information on enabling IP multicast routing and PIM sparse mode, see [Configuring Basic Multicast Routing, page 701](#).
- Before you can configure and use SSM mapping with DNS lookups, you must be able to add records to a running DNS server. If you do not already have a DNS server running, you need to install one.

You can use a product such as Cisco Network Registrar. Go to this URL for more information:

<http://www.cisco.com/en/US/products/sw/netmgts/ps1982/index.html>

DETAILED STEPS

	Command	Purpose
1.	configure terminal	Enter global configuration mode.
2.	ip igmp ssm-map enable	Enable SSM mapping for groups in a configured SSM range.
3.	ip igmp ssm-map query dns	(Optional) Enable DNS-based SSM mapping. By default, the ip igmp ssm-map command enables DNS-based SSM mapping. Only the no form of this command is saved to the running configuration. Note: Use this command to re-enable DNS-based SSM mapping if DNS-based SSM mapping is disabled.
4.	ip domain multicast <i>domain-prefix</i>	(Optional) Change the domain prefix used by the switch for DNS-based SSM mapping. By default, the switch uses the <i>ip-addr.arpa</i> domain prefix.
5.	ip name-server <i>server-address1</i> [<i>server-address2...</i> <i>server-address6</i>]	Specify the address of one or more name servers to use for name and address resolution.
6.	Repeat Step 5 to configure additional DNS servers for redundancy, if required.	—
7.	end	Return to privileged EXEC mode.
8.	show running-config	Verify your entries.
9.	copy running-config startup-config	(Optional) Save your entries in the configuration file.

EXAMPLE

The following example shows how to configure DNS-based SSM mapping:

```
Switch(config)# ip igmp ssm-map enable
Switch(config)# ip name-server 10.0.0.0
Switch(config)# end
```

Configuring Static Traffic Forwarding with SSM Mapping

Use static traffic forwarding with SSM mapping to statically forward SSM traffic for certain groups. When static traffic forwarding with SSM mapping is configured, the last hop router uses Domain Name System (DNS)-based SSM mapping to determine the sources associated with a group. The resulting (S, G) channels are then statically forwarded.

BEFORE YOU BEGIN

Configure DNS-based SSM mapping as described in the [Configuring DNS-Based SSM Mapping, page 706](#).

DETAILED STEPS

	Command	Purpose
1.	configure terminal	Enter global configuration mode.
2.	interface <i>type number</i>	Select an interface on which to statically forward traffic for a multicast group using SSM mapping, and enter interface configuration mode. Note: Static forwarding of traffic with SSM mapping works with either DNS-based SSM mapping or statically configured SSM mapping.
3.	ip igmp static-group <i>group-address</i> source ssm-map	Configure SSM mapping to statically forward a (S, G) channel from the interface. Use this command if you want to statically forward SSM traffic for certain groups. Use DNS-based SSM mapping to determine the source addresses of the channels.
4.	show running-config	Verify your entries.
5.	copy running-config startup-config	(Optional) Save your entries in the configuration file.

EXAMPLE

The following example shows how to configure group address 239.1.2.1 to use SSM mapping for statically forwarded groups on Ethernet interface 0:

```
interface ethernet 0
 ip igmp static-group 239.1.2.1 source ssm-map
```

Verifying SSM Mapping Configuration

Command	Purpose
show ip igmp ssm-mapping	Display information about SSM mapping.
show ip igmp ssm-mapping <i>group-address</i>	Display the sources that SSM mapping uses for a particular group.
show ip igmp groups [<i>group-name</i> <i>group-address</i> <i>interface-type</i> <i>interface-number</i>] [detail]	Display the multicast groups with receivers that are directly connected to the router and that were learned through IGMP.
show host	Display the default domain name, the style of name lookup service, a list of name server hosts, and the cached list of hostnames and addresses.
debug ip igmp <i>group-address</i>	Display the IGMP packets received and sent and IGMP host-related events.

Configuring a Rendezvous Point

You must have an RP if the interface is in sparse-dense mode and if you want to treat the group as a sparse group. You can use several methods, as described in these sections:

- [Manually Assigning an RP to Multicast Groups, page 709](#)
- [Configuring Auto-RP, page 711](#) (a standalone, Cisco-proprietary protocol separate from PIMv1)
- [Configuring PIMv2 BSR, page 716](#) (a standards track protocol in the Internet Engineering Task Force (IETF))

You can use Auto-RP, BSR, or a combination of both, depending on the PIM version you are running and the types of routers in your network. For more information, see [PIMv1 and PIMv2 Interoperability, page 698](#) and the [Auto-RP and BSR Configuration Guidelines, page 698](#).

Manually Assigning an RP to Multicast Groups

This section explains how to manually configure an RP. If the RP for a group is learned through a dynamic mechanism (such as Auto-RP or BSR), you need not perform this task for that RP.

Senders of multicast traffic announce their existence through register messages received from the source's first-hop router (designated router) and forwarded to the RP. Receivers of multicast packets use RPs to join a multicast group by using explicit join messages. RPs are not members of the multicast group; rather, they serve as a *meeting place* for multicast sources and group members.

You can configure a single RP for multiple groups defined by an access list. If there is no RP configured for a group, the multilayer switch treats the group as dense and uses the dense-mode PIM techniques. This procedure is optional.

BEFORE YOU BEGIN

Review the [Information About PIM, page 689](#) and [Guidelines and Limitations, page 698](#).

DETAILED STEPS

	Command	Purpose
1.	configure terminal	Enter global configuration mode.
2.	ip pim rp-address <i>ip-address</i> [<i>access-list-number</i>] [override]	<p>Configure the address of a PIM RP.</p> <p>By default, no PIM RP address is configured. You must configure the IP address of RPs on all routers and multilayer switches (including the RP). If there is no RP configured for a group, the switch treats the group as dense, using the dense-mode PIM techniques.</p> <p>A PIM device can be an RP for more than one group. Only one RP address can be used at a time within a PIM domain. The access-list conditions specify for which groups the device is an RP.</p> <ul style="list-style-type: none"> ■ For <i>ip-address</i>, enter the unicast address of the RP in dotted-decimal notation. ■ (Optional) For <i>access-list-number</i>, enter an IP standard access list number from 1 to 99. If no access list is configured, the RP is used for all groups. ■ (Optional) The override keyword means that if there is a conflict between the RP configured with this command and one learned by Auto-RP or BSR, the RP configured with this command prevails.
3.	access-list <i>access-list-number</i> { deny permit } <i>source</i> [<i>source-wildcard</i>]	<p>Create a standard access list, repeating the command as many times as necessary.</p> <ul style="list-style-type: none"> ■ For <i>access-list-number</i>, enter the access list number specified in Step 2. ■ The deny keyword denies access if the conditions are matched. The permit keyword permits access if the conditions are matched. ■ For <i>source</i>, enter the multicast group address for which the RP should be used. ■ (Optional) For <i>source-wildcard</i>, enter the wildcard bits in dotted decimal notation to be applied to the source. Place ones in the bit positions that you want to ignore. <p>Recall that the access list is always terminated by an implicit deny statement for everything.</p>
4.	end	Return to privileged EXEC mode.
5.	show running-config	Verify your entries.
6.	copy running-config startup-config	(Optional) Save your entries in the configuration file.

To remove an RP address, use the **no ip pim rp-address** *ip-address* [*access-list-number*] [**override**] global configuration command.

EXAMPLE

This example shows how to configure the address of the RP to 147.106.6.22 for multicast group 225.2.2.2 only:

```
Switch(config)# access-list 1 permit 225.2.2.2 0.0.0.0
Switch(config)# ip pim rp-address 147.106.6.22 1
```

Configuring Auto-RP

Auto-RP uses IP multicast to automate the distribution of group-to-RP mappings to all Cisco routers and multilayer switches in a PIM network. It has these benefits:

- It is easy to use multiple RPs within a network to serve different group ranges.
- It provides load splitting among different RPs and arrangement of RPs according to the location of group participants.
- It avoids inconsistent, manual RP configurations on every router and multilayer switch in a PIM network, which can cause connectivity problems.

Note: If you configure PIM in sparse mode or sparse-dense mode and do not configure Auto-RP, you must manually configure an RP as described in the [Manually Assigning an RP to Multicast Groups, page 709](#).

Note: If routed interfaces are configured in sparse mode, Auto-RP can still be used if all devices are configured with a manual RP address for the Auto-RP groups.

These sections describe how to configure Auto-RP:

- [Setting up Auto-RP in a New Internetwork, page 711](#) (optional)
- [Adding Auto-RP to an Existing Sparse-Mode Cloud, page 711](#) (optional)
- [Preventing Join Messages to False RPs, page 713](#) (optional)
- [Filtering Incoming RP Announcement Messages, page 713](#) (optional)

Setting up Auto-RP in a New Internetwork

If you are setting up Auto-RP in a new internetwork, you do not need a default RP because you configure all the interfaces for sparse-dense mode. Follow the process described in the [Adding Auto-RP to an Existing Sparse-Mode Cloud, page 711](#). However, omit Step 3 if you want to configure a PIM router as the RP for the local group.

Adding Auto-RP to an Existing Sparse-Mode Cloud

This section contains some suggestions for the initial deployment of Auto-RP into an existing sparse-mode cloud to minimize disruption of the existing multicast infrastructure. This procedure is optional.

BEFORE YOU BEGIN

- Review the [Auto-RP, page 691](#) and [Guidelines and Limitations, page 698](#).
- Configure a default RP as described in the [Manually Assigning an RP to Multicast Groups, page 709](#).

DETAILED STEPS

Command	Purpose
<p>1. show running-config</p>	<p>Verify that a default RP is already configured on all PIM devices and the RP in the sparse-mode network. It was previously configured with the ip pim rp-address global configuration command.</p> <p>This step is not required for sparse-dense-mode environments.</p> <p>The selected RP should have good connectivity and be available across the network. Use this RP for the global groups (for example 224.x.x.x and other global groups). Do not reconfigure the group address range that this RP serves. RPs dynamically discovered through Auto-RP take precedence over statically configured RPs. Assume that it is desirable to use a second RP for the local groups.</p>
<p>2. configure terminal</p>	<p>Enter global configuration mode.</p>
<p>3. ip pim send-rp-announce <i>interface-id</i> scope ttl group-list <i>access-list-number interval</i> <i>seconds</i></p>	<p>Configure another PIM device to be the candidate RP for local groups.</p> <ul style="list-style-type: none"> ■ For <i>interface-id</i>, enter the interface type and number that identifies the RP address. Valid interfaces include physical ports, port channels, and VLANs. ■ For scope ttl, specify the time-to-live value in hops. Enter a hop count that is high enough so that the RP-announce messages reach all mapping agents in the network. There is no default setting. The range is 1 to 255. ■ For group-list access-list-number, enter an IP standard access list number from 1 to 99. If no access list is configured, the RP is used for all groups. ■ For interval seconds, specify how often the announcement messages must be sent. The default is 60 seconds. The range is 1 to 16383.
<p>4. access-list access-list-number {deny permit} source <i>[source-wildcard]</i></p>	<p>Create a standard access list, repeating the command as many times as necessary.</p> <ul style="list-style-type: none"> ■ For <i>access-list-number</i>, enter the access list number specified in Step 3. ■ The deny keyword denies access if the conditions are matched. The permit keyword permits access if the conditions are matched. ■ For <i>source</i>, enter the multicast group address range for which the RP should be used. ■ (Optional) For <i>source-wildcard</i>, enter the wildcard bits in dotted decimal notation to be applied to the source. Place ones in the bit positions that you want to ignore. <p>Recall that the access list is always terminated by an implicit deny statement for everything.</p>

Command	Purpose
5. ip pim send-rp-discovery scope ttl	Find a switch whose connectivity is not likely to be interrupted, and assign it the role of RP-mapping agent. For scope ttl , specify the time-to-live value in hops to limit the RP discovery packets. All devices within the hop count from the source device receive the Auto-RP discovery messages. These messages tell other devices which group-to-RP mapping to use to avoid conflicts (such as overlapping group-to-RP ranges). There is no default setting. The range is 1 to 255.
6. end	Return to privileged EXEC mode.
7. show running-config show ip pim rp mapping show ip pim rp	Verify your entries. Display active RPs that are cached with associated multicast routing entries. Display the information cached in the routing table.
8. copy running-config startup-config	(Optional) Save your entries in the configuration file.

To remove the PIM device configured as the candidate RP, use the **no ip pim send-rp-announce** *interface-id* global configuration command. To remove the switch as the RP-mapping agent, use the **no ip pim send-rp-discovery** global configuration command.

EXAMPLE

This example shows how to send RP announcements out all PIM-enabled interfaces for a maximum of 31 hops. The IP address of port 1 is the RP. Access list 5 describes the group for which this switch serves as RP:

```
Switch(config)# ip pim send-rp-announce gigabitethernet0/1 scope 31 group-list 5
Switch(config)# access-list 5 permit 224.0.0.0 15.255.255.255
```

Preventing Join Messages to False RPs

Find whether the **ip pim accept-rp** command was previously configured throughout the network by using the **show running-config** privileged EXEC command. If the **ip pim accept-rp** command is not configured on any device, this problem can be addressed later. In those routers or multilayer switches already configured with the **ip pim accept-rp** command, you must enter the command again to accept the newly advertised RP.

To accept all RPs advertised with Auto-RP and reject all other RPs by default, use the **ip pim accept-rp auto-rp** global configuration command. This procedure is optional.

If all interfaces are in sparse mode, use a default-configured RP to support the two well-known groups 224.0.1.39 and 224.0.1.40. Auto-RP uses these two well-known groups to collect and distribute RP-mapping information. When this is the case and the **ip pim accept-rp auto-rp** command is configured, another **ip pim accept-rp** command accepting the RP must be configured as follows:

```
Switch(config)# ip pim accept-rp 172.10.20.1 1
Switch(config)# access-list 1 permit 224.0.1.39
Switch(config)# access-list 1 permit 224.0.1.40
```

Filtering Incoming RP Announcement Messages

You can add configuration commands to the mapping agents to prevent a maliciously configured router from masquerading as a candidate RP and causing problems. This procedure is optional.

BEFORE YOU BEGIN

- This command should only be configured on RP mapping agents.
- If you use more than one RP-mapping agent, you must configure the same filters on all mapping agents to avoid inconsistencies in Auto-RP operations.
- An improperly configured **ip pim rp-announce-filter** command may result in RP announcements being ignored. In addition, the **ip pim rp-announce-filter** command should only be configured on the mapping agent; if not, the command will fail because non-mapping agents do not listen to group 224.0.1.39 and do not know how to distribute the necessary group-to-RP mappings.

DETAILED STEPS

	Command	Purpose
1.	configure terminal	Enter global configuration mode.
2.	ip pim rp-announce-filter rp-list access-list-number group-list access-list-number	<p>Filter incoming RP announcement messages.</p> <p>Enter this command on each mapping agent in the network. Without this command, all incoming RP-announce messages are accepted by default.</p> <p>For rp-list access-list-number, configure an access list of candidate RP addresses that, if permitted, is accepted for the group ranges supplied in the group-list access-list-number variable. If this variable is omitted, the filter applies to all multicast groups.</p> <p>If more than one mapping agent is used, the filters must be consistent across all mapping agents to ensure that no conflicts occur in the Group-to-RP mapping information.</p>
3.	access-list access-list-number {deny permit} source [source-wildcard]	<p>Create a standard access list, repeating the command as many times as necessary.</p> <ul style="list-style-type: none"> ■ For <i>access-list-number</i>, enter the access list number specified in Step 2. ■ The deny keyword denies access if the conditions are matched. The permit keyword permits access if the conditions are matched. ■ Create an access list that specifies from which routers and multilayer switches the mapping agent accepts candidate RP announcements (rp-list ACL). ■ Create an access list that specifies the range of multicast groups from which to accept or deny (group-list ACL). ■ For <i>source</i>, enter the multicast group address range for which the RP should be used. ■ (Optional) For <i>source-wildcard</i>, enter the wildcard bits in dotted decimal notation to be applied to the source. Place ones in the bit positions that you want to ignore. <p>Recall that the access list is always terminated by an implicit deny statement for everything.</p>
4.	end	Return to privileged EXEC mode.
5.	show running-config	Verify your entries.
6.	copy running-config startup-config	(Optional) Save your entries in the configuration file.

To remove a filter on incoming RP announcement messages, use the **no ip pim rp-announce-filter rp-list access-list-number [group-list access-list-number]** global configuration command.

EXAMPLE

This example shows a sample configuration on an Auto-RP mapping agent that is used to prevent candidate RP announcements from being accepted from unauthorized candidate RPs:

```
Switch(config)# ip pim rp-announce-filter rp-list 10 group-list 20
Switch(config)# access-list 10 permit host 172.16.5.1
Switch(config)# access-list 10 permit host 172.16.2.1
Switch(config)# access-list 20 deny 239.0.0.0 0.0.255.255
Switch(config)# access-list 20 permit 224.0.0.0 15.255.255.255
```

In this example, the mapping agent accepts candidate RP announcements from only two devices, 172.16.5.1 and 172.16.2.1. The mapping agent accepts candidate RP announcements from these two devices only for multicast groups that fall in the group range of 224.0.0.0 to 239.255.255.255. The mapping agent does not accept candidate RP announcements from any other devices in the network. Furthermore, the mapping agent does not accept candidate RP announcements from 172.16.5.1 or 172.16.2.1 if the announcements are for any groups in the 239.0.0.0 through 239.255.255.255 range. This range is the administratively scoped address range.

Configuring PIMv2 BSR

These sections describe how to set up BSR in your PIMv2 network:

- [Defining the PIM Domain Border, page 716](#) (optional)
- [Defining the IP Multicast Boundary, page 717](#) (optional)
- [Configuring Candidate BSRs, page 718](#) (optional)
- [Configuring Candidate RPs, page 719](#) (optional)

Defining the PIM Domain Border

As IP multicast becomes more widespread, the chance of one PIMv2 domain bordering another PIMv2 domain is increasing. Because these two domains probably do not share the same set of RPs, BSR, candidate RPs, and candidate BSRs, you need to constrain PIMv2 BSR messages from flowing into or out of the domain. Allowing these messages to leak across the domain borders could adversely affect the normal BSR election mechanism and elect a single BSR across all bordering domains and co-mingle candidate RP advertisements, resulting in the election of RPs in the wrong domain. This procedure is optional.

BEFORE YOU BEGIN

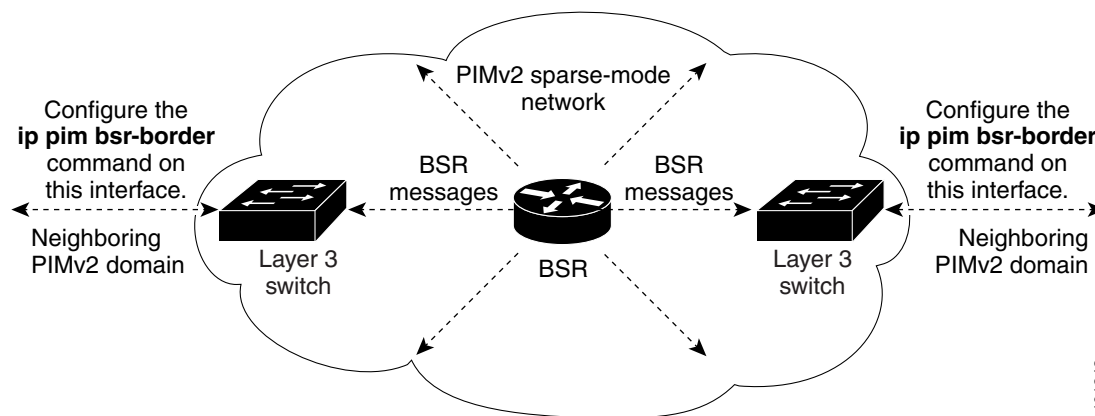
Review the [Bootstrap Router, page 692](#) and [Guidelines and Limitations, page 698](#).

DETAILED STEPS

Command	Purpose
1. configure terminal	Enter global configuration mode.
2. interface interface-id	Specify the interface to be configured, and enter interface configuration mode.
3. no shutdown	Enable the port, if necessary. By default, UNIs and ENIs are disabled, and NNIs are enabled.
4. ip pim bsr-border	Define a PIM bootstrap message boundary for the PIM domain. Enter this command on each interface that connects to other bordering PIM domains. This command instructs the switch to neither send or receive PIMv2 BSR messages on this interface as shown in Figure 90 on page 717 .
5. end	Return to privileged EXEC mode.
6. show running-config	Verify your entries.
7. copy running-config startup-config	(Optional) Save your entries in the configuration file.

To remove the PIM border, use the **no ip pim bsr-border** interface configuration command.

Figure 90 Constraining PIMv2 BSR Messages



101243

EXAMPLE

The following example configures the interface to be the PIM domain border:

```
interface ethernet 1
ip pim bsr-border
```

Defining the IP Multicast Boundary

You define a multicast boundary to prevent Auto-RP messages from entering the PIM domain. You create an access list to deny packets destined for 224.0.1.39 and 224.0.1.40, which carry Auto-RP information. This procedure is optional.

BEFORE YOU BEGIN

Review the [Information About PIM, page 689](#) and the [Guidelines and Limitations, page 698](#).

DETAILED STEPS

	Command	Purpose
1.	configure terminal	Enter global configuration mode.
2.	access-list <i>access-list-number</i> deny <i>source</i> [<i>source-wildcard</i>]	Create a standard access list, repeating the command as many times as necessary. <ul style="list-style-type: none"> ■ For <i>access-list-number</i>, the range is 1 to 99. ■ The deny keyword denies access if the conditions are matched. ■ For <i>source</i>, enter multicast addresses 224.0.1.39 and 224.0.1.40, which carry Auto-RP information. ■ (Optional) For <i>source-wildcard</i>, enter the wildcard bits in dotted decimal notation to be applied to the source. Place ones in the bit positions that you want to ignore. Recall that the access list is always terminated by an implicit deny statement for everything.
3.	interface <i>interface-id</i>	Specify the interface to be configured, and enter interface configuration mode.
4.	no shutdown	Enable the port, if necessary. By default, UNIs and ENIs are disabled, and NNIs are enabled.
5.	ip multicast boundary <i>access-list-number</i>	Configure the boundary, specifying the access list you created in Step 2.
6.	end	Return to privileged EXEC mode.
7.	show running-config	Verify your entries.
8.	copy running-config startup-config	(Optional) Save your entries in the configuration file.

To remove the boundary, use the **no ip multicast boundary** interface configuration command.

EXAMPLE

This example shows a portion of an IP multicast boundary configuration that denies Auto-RP information:

```
Switch(config)# access-list 1 deny 224.0.1.39
Switch(config)# access-list 1 deny 224.0.1.40
Switch(config)# interface gigabitethernet0/1
Switch(config-if)# ip multicast boundary 1
```

Configuring Candidate BSRs

You can configure one or more candidate BSRs. The devices serving as candidate BSRs should have good connectivity to other devices and be in the backbone portion of the network. This procedure is optional.

BEFORE YOU BEGIN

Enable PIM on the interface using the **ip pim** command as described in the [Configuring Basic Multicast Routing, page 701](#).

DETAILED STEPS

	Command	Purpose
1.	configure terminal	Enter global configuration mode.
2.	ip pim bsr-candidate <i>interface-id</i> <i>hash-mask-length</i> [<i>priority</i>]	Configure your switch to be a candidate BSR. <ul style="list-style-type: none"> ■ For <i>interface-id</i>, enter the interface on this switch from which the BSR address is derived to make it a candidate. This interface must be enabled with PIM. Valid interfaces include physical ports, port channels, and VLANs. ■ For <i>hash-mask-length</i>, specify the mask length (32 bits maximum) that is to be ANDed with the group address before the hash function is called. All groups with the same seed hash correspond to the same RP. For example, if this value is 24, only the first 24 bits of the group addresses matter. ■ (Optional) For <i>priority</i>, enter a number from 0 to 255. The BSR with the larger priority is preferred. If the priority values are the same, the device with the highest IP address is selected as the BSR. The default is 0.
3.	end	Return to privileged EXEC mode.
4.	show running-config	Verify your entries.
5.	copy running-config startup-config	(Optional) Save your entries in the configuration file.

To remove this device as a candidate BSR, use the **no ip pim bsr-candidate** global configuration command.

EXAMPLE

This example shows how to configure a candidate BSR, which uses the IP address 172.21.24.18 on a port as the advertised BSR address, uses 30 bits as the hash-mask-length, and has a priority of 10:

```
Switch(config)# interface gigabitethernet0/2
Switch(config-if)# ip address 172.21.24.18 255.255.255.0
Switch(config-if)# ip pim sparse-dense-mode
Switch(config-if)# ip pim bsr-candidate gigabitethernet0/2 30 10
```

Configuring Candidate RPs

You can configure one or more candidate RPs. Similar to BSRs, the RPs should also have good connectivity to other devices and be in the backbone portion of the network. An RP can serve the entire IP multicast address space or a portion of it. Candidate RPs send candidate RP advertisements to the BSR. When deciding which devices should be RPs, consider these options:

- In a network of Cisco routers and multilayer switches where only Auto-RP is used, any device can be configured as an RP.
- In a network that includes only Cisco PIMv2 routers and multilayer switches and with routers from other vendors, any device can be used as an RP.
- In a network of Cisco PIMv1 routers, Cisco PIMv2 routers, and routers from other vendors, configure only Cisco PIMv2 routers and multilayer switches as RPs.

This procedure is optional.

BEFORE YOU BEGIN

Enable PIM on the interface using the **ip pim** command as described in the [Configuring Basic Multicast Routing, page 701](#).

DETAILED STEPS

	Command	Purpose
1.	configure terminal	Enter global configuration mode.
2.	ip pim rp-candidate <i>interface-id</i> [group-list <i>access-list-number</i>]	Configure your switch to be a candidate RP. <ul style="list-style-type: none"> For <i>interface-id</i>, specify the interface whose associated IP address is advertised as a candidate RP address. Valid interfaces include physical ports, port channels, and VLANs. (Optional) For group-list <i>access-list-number</i>, enter an IP standard access list number from 1 to 99. If no group-list is specified, the switch is a candidate RP for all groups.
3.	access-list <i>access-list-number</i> { deny permit } <i>source</i> [<i>source-wildcard</i>]	Create a standard access list, repeating the command as many times as necessary. <ul style="list-style-type: none"> For <i>access-list-number</i>, enter the access list number specified in Step 2. The deny keyword denies access if the conditions are matched. The permit keyword permits access if the conditions are matched. For <i>source</i>, enter the number of the network or host from which the packet is being sent. (Optional) For <i>source-wildcard</i>, enter the wildcard bits in dotted decimal notation to be applied to the source. Place ones in the bit positions that you want to ignore. <p>Recall that the access list is always terminated by an implicit deny statement for everything.</p>
4.	end	Return to privileged EXEC mode.
5.	show running-config	Verify your entries.
6.	copy running-config startup-config	(Optional) Save your entries in the configuration file.

To remove this device as a candidate RP, use the **no ip pim rp-candidate** *interface-id* global configuration command.

EXAMPLE

This example shows how to configure the switch to advertise itself as a candidate RP to the BSR in its PIM domain. Standard access list number 4 specifies the group prefix associated with the RP that has the address identified by a port. That RP is responsible for the groups with the prefix 239.

```
Switch(config)# ip pim rp-candidate gigabitethernet0/2 group-list 4
Switch(config)# access-list 4 permit 239.0.0.0 0.255.255.255
```

Using Auto-RP and a BSR

If there are only Cisco devices in your network (no routers from other vendors), there is no need to configure a BSR. Configure Auto-RP in a network that is running both PIMv1 and PIMv2.

If you have non-Cisco PIMv2 routers that need to interoperate with Cisco PIMv1 routers and multilayer switches, both Auto-RP and a BSR are required. We recommend that a Cisco PIMv2 router or multilayer switch be both the Auto-RP mapping agent and the BSR.

If you must have one or more BSRs, we have these recommendations:

- Configure the candidate BSRs as the RP-mapping agents for Auto-RP. For more information, see [Configuring Auto-RP, page 711](#) and [Configuring Candidate BSRs, page 718](#).
- For group prefixes advertised through Auto-RP, the PIMv2 BSR mechanism should not advertise a subrange of these group prefixes served by a different set of RPs. In a mixed PIMv1 and PIMv2 domain, have backup RPs serve the same group prefixes. This prevents the PIMv2 DRs from selecting a different RP from those PIMv1 DRs, due to the longest match lookup in the RP-mapping database.

Follow this procedure to verify the consistency of group-to-RP mappings. This procedure is optional.

BEFORE YOU BEGIN

Review the [Auto-RP and BSR Configuration Guidelines, page 698](#).

DETAILED STEPS

	Command	Purpose
1.	show ip pim rp [<i>group-name</i> <i>group-address</i>] mapping	<p>On any Cisco device, display the available RP mappings.</p> <ul style="list-style-type: none"> ■ (Optional) For <i>group-name</i>, specify the name of the group about which to display RPs. ■ (Optional) For <i>group-address</i>, specify the address of the group about which to display RPs. ■ (Optional) Use the mapping keyword to display all group-to-RP mappings of which the Cisco device is aware (either configured or learned from Auto-RP).
2.	show ip pim rp-hash <i>group</i>	<p>On a PIMv2 router or multilayer switch, confirm that the same RP is the one that a PIMv1 system chooses.</p> <p>For <i>group</i>, enter the group address for which to display RP information.</p>

Monitoring the RP Mapping Information

To monitor the RP mapping information, use these commands in privileged EXEC mode:

- **show ip pim bsr** displays information about the elected BSR.
- **show ip pim rp-hash** *group* displays the RP that was selected for the specified group.
- **show ip pim rp** [*group-name* | *group-address*] | **mapping** displays how the switch learns of the RP (through the BSR or the Auto-RP mechanism).

Troubleshooting PIMv1 and PIMv2 Interoperability Problems

When debugging interoperability problems between PIMv1 and PIMv2, check these in the order shown:

1. Verify RP mapping with the **show ip pim rp-hash** privileged EXEC command, making sure that all systems agree on the same RP for the same group.
2. Verify interoperability between different versions of DRs and RPs. Make sure the RPs are interacting with the DRs properly (by responding with register-stops and forwarding decapsulated data packets from registers).

Configuring Advanced PIM Features

This section includes the following topics:

- [Delaying the Use of PIM Shortest-Path Tree, page 722](#) (optional)
- [Modifying the PIM Router-Query Message Interval, page 724](#) (optional)

Delaying the Use of PIM Shortest-Path Tree

The change from shared to source tree happens when the first data packet arrives at the last-hop router (Router C in [Figure 89 on page 697](#) in the [Information About PIM Shared Tree and Source Tree, page 696](#)). This change occurs because the **ip pim spt-threshold** global configuration command controls that timing.

The shortest-path tree requires more memory than the shared tree but reduces delay. You might want to postpone its use. Instead of allowing the leaf router to immediately move to the shortest-path tree, you can specify that the traffic must first reach a threshold.

You can configure when a PIM leaf router should join the shortest-path tree for a specified group. If a source sends at a rate greater than or equal to the specified kbps rate, the multilayer switch triggers a PIM join message toward the source to construct a source tree (shortest-path tree). If the traffic rate from the source drops below the threshold value, the leaf router switches back to the shared tree and sends a prune message toward the source.

You can specify to which groups the shortest-path tree threshold applies by using a group list (a standard access list). If a value of 0 is specified or if the group list is not used, the threshold applies to all groups.

This procedure is optional.

BEFORE YOU BEGIN

Review the [Information About PIM Shared Tree and Source Tree, page 696](#).

DETAILED STEPS

	Command	Purpose
1.	configure terminal	Enter global configuration mode.
2.	access-list <i>access-list-number</i> { deny permit } <i>source</i> [<i>source-wildcard</i>]	<p>Create a standard access list.</p> <ul style="list-style-type: none"> ■ For <i>access-list-number</i>, the range is 1 to 99. ■ The deny keyword denies access if the conditions are matched. The permit keyword permits access if the conditions are matched. ■ For <i>source</i>, specify the multicast group to which the threshold will apply. ■ (Optional) For <i>source-wildcard</i>, enter the wildcard bits in dotted decimal notation to be applied to the source. Place ones in the bit positions that you want to ignore. <p>Recall that the access list is always terminated by an implicit deny statement for everything.</p>
3.	ip pim spt-threshold { <i>kbits</i> infinity } [group-list <i>access-list-number</i>]	<p>Specify the threshold that must be reached before moving to shortest-path tree (spt).</p> <ul style="list-style-type: none"> ■ For <i>kbits</i>, specify the traffic rate in kilobits per second. The default is 0 kbps. <p>Note: Because of switch hardware limitations, 0 kbps is the only valid entry even though the range is 0 to 4294967.</p> <ul style="list-style-type: none"> ■ Specify infinity if you want all sources for the specified group to use the shared tree, never switching to the source tree. ■ (Optional) For group-list <i>access-list-number</i>, specify the access list created in Step 2. If the value is 0 or if the group-list is not used, the threshold applies to all groups.
4.	end	Return to privileged EXEC mode.
5.	show running-config	Verify your entries.
6.	copy running-config startup-config	(Optional) Save your entries in the configuration file.

To return to the default setting, use the **no ip pim spt-threshold** {*kbits* | **infinity**} global configuration command.

EXAMPLE

The following example shows how to set a threshold of 4 kbps. If the traffic rate exceeds this threshold, the traffic to a group from a source causes the router to switch to the shortest path tree to that source.

```
Switch# configure terminal
Switch(config)# ip pim spt-threshold 4
```

Modifying the PIM Router-Query Message Interval

PIM routers and multilayer switches send PIM router-query messages to find which device will be the DR for each LAN segment (subnet). The DR is responsible for sending IGMP host-query messages to all hosts on the directly connected LAN.

With PIM DM operation, the DR has meaning only if IGMPv1 is in use. IGMPv1 does not have an IGMP querier election process, so the elected DR functions as the IGMP querier. With PIM SM operation, the DR is the device that is directly connected to the multicast source. It sends PIM register messages to notify the RP that multicast traffic from a source needs to be forwarded down the shared tree. In this case, the DR is the device with the highest IP address.

Follow this procedure to modify the router-query message interval. This procedure is optional.

BEFORE YOU BEGIN

Review the [Information About PIM, page 689](#).

DETAILED STEPS

	Command	Purpose
1.	configure terminal	Enter global configuration mode.
2.	interface <i>interface-id</i>	Specify the interface to be configured, and enter interface configuration mode.
3.	no shutdown	Enable the port, if necessary. By default, UNIs and ENIs are disabled, and NNIs are enabled.
4.	ip pim query-interval <i>seconds</i>	Configure the frequency at which the switch sends PIM router-query messages. The default is 30 seconds. The range is 1 to 65535.
5.	end	Return to privileged EXEC mode.
6.	show ip igmp interface <i>[interface-id]</i>	Verify your entries.
7.	copy running-config startup-config	(Optional) Save your entries in the configuration file.

To return to the default setting, use the **no ip pim query-interval** [*seconds*] interface configuration command.

EXAMPLE

The following example shows how to set the PIM hello interval to 45 seconds:

```
interface FastEthernet0/1
 ip pim query-interval 45
```

Configuring Optional IGMP Features

This section includes the following topics:

- [Default IGMP Configuration, page 725](#)
- [Configuring the Switch as a Member of a Group, page 725](#) (optional)
- [Controlling Access to IP Multicast Groups, page 726](#) (optional)

- [Changing the IGMP Version, page 727](#) (optional)
- [Modifying the IGMP Host-Query Message Interval, page 728](#) (optional)
- [Changing the IGMP Query Timeout for IGMPv2, page 730](#) (optional)
- [Changing the Maximum Query Response Time for IGMPv2, page 731](#) (optional)
- [Configuring the Switch as a Statically Connected Member, page 732](#) (optional)

Default IGMP Configuration

Feature	Default Setting
Multilayer switch as a member of a multicast group	No group memberships are defined.
Access to multicast groups	All groups are allowed on an interface.
IGMP version	Version 2 on all interfaces.
IGMP host-query message interval	60 seconds on all interfaces.
IGMP query timeout	60 seconds on all interfaces.
IGMP maximum query response time	10 seconds on all interfaces.
Multilayer switch as a statically connected member	Disabled.

Configuring the Switch as a Member of a Group

You can configure the switch as a member of a multicast group and discover multicast reachability in a network. If all the multicast-capable routers and multilayer switches that you administer are members of a multicast group, pinging that group causes all these devices to respond. The devices respond to IGMP echo-request packets addressed to a group of which they are members. Another example is the multicast trace-route tools provided in the software.

This procedure is optional.

BEFORE YOU BEGIN

Caution: Performing this procedure might impact the CPU performance because the CPU will receive all data traffic for the group address.

DETAILED STEPS

	Command	Purpose
1.	configure terminal	Enter global configuration mode.
2.	interface <i>interface-id</i>	Specify the interface to be configured, and enter interface configuration mode.
3.	no shutdown	Enable the port, if necessary. By default, UNIs and ENIs are disabled, and NNIs are enabled.
4.	ip igmp join-group <i>group-address</i>	Configure the switch to join a multicast group. By default, no group memberships are defined. For <i>group-address</i> , specify the multicast IP address in dotted decimal notation.
5.	end	Return to privileged EXEC mode.
6.	show ip igmp interface <i>[interface-id]</i>	Verify your entries.
7.	copy running-config startup-config	(Optional) Save your entries in the configuration file.

To cancel membership in a group, use the **no ip igmp join-group** *group-address* interface configuration command.

EXAMPLE

This example shows how to enable the switch to join multicast group 255.2.2.2:

```
Switch(config)# interface gigabitethernet0/1
Switch(config-if)# ip igmp join-group 255.2.2.2
```

Controlling Access to IP Multicast Groups

The switch sends IGMP host-query messages to find which multicast groups have members on attached local networks. The switch then forwards to these group members all packets addressed to the multicast group. You can place a filter on each interface to restrict the multicast groups that hosts on the subnet serviced by the interface can join.

This procedure is optional.

BEFORE YOU BEGIN

Review the [Information About IGMP, page 688](#).

DETAILED STEPS

	Command	Purpose
1.	configure terminal	Enter global configuration mode.
2.	interface <i>interface-id</i>	Specify the interface to be configured, and enter interface configuration mode.
3.	no shutdown	Enable the port, if necessary. By default, UNIs and ENIs are disabled, and NNIs are enabled.
4.	ip igmp access-group <i>access-list-number</i>	Specify the multicast groups that hosts on the subnet serviced by an interface can join. By default, all groups are allowed on an interface. For <i>access-list-number</i> , specify an IP standard access list number. The range is 1 to 99.
5.	exit	Return to global configuration mode.
6.	access-list <i>access-list-number</i> { deny permit } <i>source</i> [<i>source-wildcard</i>]	Create a standard access list. <ul style="list-style-type: none"> ■ For <i>access-list-number</i>, specify the access list created in Step 3. ■ The deny keyword denies access if the conditions are matched. The permit keyword permits access if the conditions are matched. ■ For <i>source</i>, specify the multicast group that hosts on the subnet can join. ■ (Optional) For <i>source-wildcard</i>, enter the wildcard bits in dotted decimal notation to be applied to the source. Place ones in the bit positions that you want to ignore. Recall that the access list is always terminated by an implicit deny statement for everything.
7.	end	Return to privileged EXEC mode.
8.	show ip igmp interface [<i>interface-id</i>]	Verify your entries.
9.	copy running-config startup-config	(Optional) Save your entries in the configuration file.

To disable groups on an interface, use the **no ip igmp access-group** interface configuration command.

EXAMPLE

This example shows how to configure hosts attached to a port as able to join only group 255.2.2.2:

```
Switch(config)# access-list 1 255.2.2.2 0.0.0.0
Switch(config-if)# interface gigabitethernet0/1
Switch(config-if)# ip igmp access-group 1
```

Changing the IGMP Version

By default, the switch uses IGMP Version 2, which provides features such as the IGMP query timeout and the maximum query response time.

All systems on the subnet must support the same version. The switch does not automatically detect Version 1 systems and switch to Version 1. You can mix Version 1 and Version 2 hosts on the subnet because Version 2 routers or switches always work correctly with IGMPv1 hosts.

Configure the switch for Version 1 if your hosts do not support Version 2.

This procedure is optional.

BEFORE YOU BEGIN

Review the [Information About IGMP, page 688](#).

DETAILED STEPS

	Command	Purpose
1.	configure terminal	Enter global configuration mode.
2.	interface <i>interface-id</i>	Specify the interface to be configured, and enter interface configuration mode.
3.	no shutdown	Enable the port, if necessary. By default, UNIs and ENIs are disabled, and NNIs are enabled.
4.	ip igmp version {1 2}	Specify the IGMP version that the switch uses. Note: If you change to Version 1, you cannot configure the ip igmp query-interval or the ip igmp query-max-response-time interface configuration commands.
5.	end	Return to privileged EXEC mode.
6.	show ip igmp interface [<i>interface-id</i>]	Verify your entries.
7.	copy running-config startup-config	(Optional) Save your entries in the configuration file.

To return to the default setting, use the **no ip igmp version** interface configuration command.

EXAMPLE

The following example configures the router to use IGMP Version 2:

```
ip igmp version 2
```

Modifying the IGMP Host-Query Message Interval

The switch periodically sends IGMP host-query messages to discover which multicast groups are present on attached networks. These messages are sent to the all-hosts multicast group (224.0.0.1) with a time-to-live (TTL) of 1. The switch sends host-query messages to refresh its knowledge of memberships present on the network. If, after some number of queries, the software discovers that no local hosts are members of a multicast group, the software stops forwarding multicast packets to the local network from remote origins for that group and sends a prune message upstream toward the source.

The switch elects a PIM designated router (DR) for the LAN (subnet). The DR is the router or multilayer switch with the highest IP address for IGMPv2. For IGMPv1, the DR is elected according to the multicast routing protocol that runs on the LAN. The designated router is responsible for sending IGMP host-query messages to all hosts on the LAN. In sparse mode, the designated router also sends PIM register and PIM join messages toward the RP router.

This procedure is optional.

BEFORE YOU BEGIN

We recommend that you do not modify the IGMP query interval and IGMP querier timeout values. However, if you configure the appropriate commands to change the query interval and querier timeout default values, the following conditions apply:

- If you use the **ip igmp query-interval** command to configure the query interval, the timeout value is automatically adjusted to two times the query interval; the adjusted timeout value, however, is not reflected in the interface configuration.

Note: To confirm that the timeout value adjusted to two times the modified query interval, use the **show ip igmp interface** command to display the query interval and timeout values being used for the interface.

- Conversely, if you use the **ip igmp querier-timeout** command to configure the timeout value, the query interval does not automatically adjust to half of the modified timeout value, so it is possible to override the default timeout period of two times the query interval. If you must configure the timeout period, we recommend that you configure the timeout value in proportion to the query interval value.
- The query interval must be greater than the IGMP maximum query response time. Use the **ip igmp query-max-response-time** command to change the maximum query response time value from the default (10 seconds) to a specified length of time, if required.

DETAILED STEPS

	Command	Purpose
1.	configure terminal	Enter global configuration mode.
2.	interface <i>interface-id</i>	Specify the interface to be configured, and enter interface configuration mode.
3.	no shutdown	Enable the port, if necessary. By default, UNIs and ENIs are disabled, and NNIs are enabled.
4.	ip igmp query-interval <i>seconds</i>	Configure the frequency at which the designated router sends IGMP host-query messages. By default, the designated router sends IGMP host-query messages every 60 seconds to keep the IGMP overhead very low on hosts and networks. The range is 1 to 65535.
5.	end	Return to privileged EXEC mode.
6.	show ip igmp interface <i>[interface-id]</i>	Verify your entries.
7.	copy running-config startup-config	(Optional) Save your entries in the configuration file.

To return to the default setting, use the **no ip igmp query-interval** interface configuration command.

EXAMPLE

The following example shows how to configure the switch to wait 240 seconds from the time it received the last query before it triggers the IGMP election process. In this example, the timeout period is manually modified in proportion to the IGMP query interval by using the **ip igmp querier-timeout** command.

```
interface GigabitEthernet1/17
 ip igmp query-interval 120
 ip igmp querier-timeout 240
```

The following example shows how to configure the switch to wait 250 seconds from the time it received the last query until the time that it triggers the IGMP election process. When the timeout value is explicitly configured, the query interval does not automatically adjust. Because the query interval was not explicitly configured to change the default value (60 seconds), the default timeout period of two times the query interval, or 120 seconds, is overridden by the specified value.

```
interface GigabitEthernet0/1
 ip igmp querier-timeout 250
```

Changing the IGMP Query Timeout for IGMPv2

If you are using IGMPv2, you can specify the period of time before the switch takes over as the querier for the interface. By default, the switch waits twice the query interval controlled by the **ip igmp query-interval** interface configuration command. After that time, if the switch has received no queries, it becomes the querier.

You can configure the query interval by entering the **show ip igmp interface *interface-id*** privileged EXEC command. This procedure is optional.

BEFORE YOU BEGIN

We recommend that you do not modify the IGMP query interval and IGMP querier timeout values. However, if you configure the appropriate commands to change the query interval and querier timeout default values, the following conditions apply:

- If you use the **ip igmp query-interval** command to configure the query interval, the timeout value is automatically adjusted to two times the query interval; the adjusted timeout value, however, is not reflected in the interface configuration.

Note: To confirm that the timeout value adjusted to two times the modified query interval, use the **show ip igmp interface** command to display the query interval and timeout values being used for the interface.

- Conversely, if you use the **ip igmp querier-timeout** command to configure the timeout value, the query interval does not automatically adjust to half of the modified timeout value, so it is possible to override the default timeout period of two times the query interval. If you must configure the timeout period, we recommend that you configure the timeout value in proportion to the query interval value.
- The query interval must be greater than the IGMP maximum query response time. Use the **ip igmp query-max-response-time** command to change the maximum query response time value from the default (10 seconds) to a specified length of time, if required.

DETAILED STEPS

	Command	Purpose
1.	configure terminal	Enter global configuration mode.
2.	interface <i>interface-id</i>	Specify the interface to be configured, and enter interface configuration mode.
3.	no shutdown	Enable the port, if necessary. By default, UNIs and ENIs are disabled, and NNIs are enabled.
4.	ip igmp querier-timeout <i>seconds</i>	Specify the IGMP query timeout. The default is 60 seconds (twice the query interval). The range is 60 to 300.
5.	end	Return to privileged EXEC mode.
6.	show ip igmp interface <i>[interface-id]</i>	Verify your entries.
7.	copy running-config startup-config	(Optional) Save your entries in the configuration file.

To return to the default setting, use the **no ip igmp querier-timeout** interface configuration command.

EXAMPLE

The following example shows how to configure the switch to wait 240 seconds from the time it received the last query before it triggers the IGMP election process. In this example, the timeout period is manually modified in proportion to the IGMP query interval by using the **ip igmp querier-timeout** command.

```
interface GigabitEthernet1/17
 ip igmp query-interval 120
 ip igmp querier-timeout 240
```

The following example shows how to configure the switch to wait 250 seconds from the time it received the last query until the time that it triggers the IGMP election process. When the timeout value is explicitly configured, the query interval does not automatically adjust. Because the query interval was not explicitly configured to change the default value (60 seconds), the default timeout period of two times the query interval, or 120 seconds, is overridden by the specified value.

```
interface GigabitEthernet0/1
 ip igmp querier-timeout 250
```

Changing the Maximum Query Response Time for IGMPv2

If you are using IGMPv2, you can change the maximum query response time advertised in IGMP queries. The maximum query response time enables the switch to quickly detect that there are no more directly connected group members on a LAN. Decreasing the value enables the switch to prune groups faster.

This procedure is optional.

BEFORE YOU BEGIN

The query interval (see the [Modifying the IGMP Host-Query Message Interval, page 728](#)) must be greater than the IGMP maximum query response time.

DETAILED STEPS

	Command	Purpose
1.	configure terminal	Enter global configuration mode.
2.	interface <i>interface-id</i>	Specify the interface to be configured, and enter interface configuration mode.
3.	no shutdown	Enable the port, if necessary. By default, UNIs and ENIs are disabled, and NNIs are enabled.
4.	ip igmp query-max-response-time <i>seconds</i>	Change the maximum query response time advertised in IGMP queries. The default is 10 seconds. The range is 1 to 25.
5.	end	Return to privileged EXEC mode.
6.	show ip igmp interface <i>[interface-id]</i>	Verify your entries.
7.	copy running-config startup-config	(Optional) Save your entries in the configuration file.

To return to the default setting, use the **no ip igmp query-max-response-time** interface configuration command.

EXAMPLE

The following example configures a maximum response time of 8 seconds:

```
ip igmp query-max-response-time 8
```

Configuring the Switch as a Statically Connected Member

Sometimes there is either no group member on a network segment or a host cannot report its group membership by using IGMP. However, you might want multicast traffic to go to that network segment. These are ways to pull multicast traffic down to a network segment:

- Use the **ip igmp join-group** interface configuration command. With this method, the switch accepts the multicast packets in addition to forwarding them. Accepting the multicast packets prevents the switch from fast switching.
- Use the **ip igmp static-group** interface configuration command. With this method, the switch does not accept the packets itself, but only forwards them. This method enables fast switching. The outgoing interface appears in the IGMP cache, but the switch itself is not a member, as evidenced by lack of an *L* (local) flag in the multicast route entry.

This procedure is optional.

BEFORE YOU BEGIN

If you configure the **ip igmp join-group** command for the same group address as the **ip igmp static-group** command, the **ip igmp join-group** command takes precedence, and the group behaves like a locally joined group.

DETAILED STEPS

	Command	Purpose
1.	configure terminal	Enter global configuration mode.
2.	interface <i>interface-id</i>	Specify the interface to be configured, and enter interface configuration mode.
3.	no shutdown	Enable the port, if necessary. By default, UNIs and ENIs are disabled, and NNIs are enabled.
4.	ip igmp static-group <i>group-address</i>	Configure the switch as a statically connected member of a group. By default, this feature is disabled.
5.	end	Return to privileged EXEC mode.
6.	show ip igmp interface [<i>interface-id</i>]	Verify your entries.
7.	copy running-config startup-config	(Optional) Save your entries in the configuration file.

To remove the switch as a member of the group, use the **no ip igmp static-group** *group-address* interface configuration command.

EXAMPLE

The following example shows how to configure group address 239.100.100.101 on Ethernet interface 0:

```
interface ethernet 0
 ip igmp static-group 239.100.100.101
```

Configuring Optional Multicast Routing Features

This section includes the following topics:

- [Configuring Session Directory Announcement Support, page 733](#) (optional)—for MBONE multimedia conference session and set up
- [Configuring an IP Multicast Boundary, page 735](#) (optional)—to control bandwidth utilization.

Configuring Session Directory Announcement Support

The MBONE (multicast backbone of the Internet) is the small subset of Internet routers and hosts that are interconnected and capable of forwarding IP multicast traffic. Other multimedia content is often broadcast over the MBONE. Before you can join a multimedia session, you need to know what multicast group address and port are being used for the session, when the session is going to be active, and what sort of applications (audio, video, and so forth) are required on your workstation. The MBONE Session Directory Version 2 (sdr) tool provides this information. This freeware application can be downloaded from several sites on the World Wide Web, one of which is <http://www.video.ja.net/mice/index.html>.

SDR is a multicast application that listens to a well-known multicast group address and port for Session Announcement Protocol (SAP) multicast packets from SAP clients, which announce their conference sessions. These SAP packets contain a session description, the time the session is active, its IP multicast group addresses, media format, contact person, and other information about the advertised multimedia session. The information in the SAP packet is displayed in the SDR Session Announcement window.

Enabling Listening to Session Directory Announcements

By default, the switch does not listen to session directory advertisements. Follow this procedure to enable the switch to join the default session directory group (224.2.127.254) on the interface and listen to session directory advertisements. This procedure is optional.

BEFORE YOU BEGIN

Enable multicast routing on the interface as described in the [Configuring Basic Multicast Routing, page 701](#).

DETAILED STEPS

	Command	Purpose
1.	configure terminal	Enter global configuration mode.
2.	interface <i>interface-id</i>	Specify the interface on which the well-known session directory groups can receive and store session announcements, and enter interface configuration mode.
3.	no shutdown	Enable the port, if necessary. By default, UNIs and ENIs are disabled, and NNIs are enabled.
4.	ip sap listen	Enable the switch to listen to session directory announcements.
5.	end	Return to privileged EXEC mode.
6.	show running-config	Verify your entries.
7.	copy running-config startup-config	(Optional) Save your entries in the configuration file.

To disable listening to session directory announcements, use the **no ip sap listen** interface configuration command.

EXAMPLE

The following example shows how to enable the switch to listen to session directory announcements:

```
ip routing
interface loopback 0
 ip address 10.0.0.51 255.255.255.0
 ip pim sparse-dense mode
 ip sap listen
```

Limiting How Long an SAP Cache Entry Exists

You can limit how long an SAP entry remains active so that if a source stops advertising SAP information, old advertisements are not needlessly kept. This procedure is optional.

BEFORE YOU BEGIN

Setting the cache timeout to a value less than 30 minutes is not recommended.

DETAILED STEPS

	Command	Purpose
1.	configure terminal	Enter global configuration mode.
2.	ip sap cache-timeout <i>minutes</i>	Limit how long an SAP cache entry stays active in the cache. By default, session announcements remain for 1440 minutes (24 hours) in the cache. For <i>minutes</i> , the range is 1 to 4294967295.
3.	end	Return to privileged EXEC mode.
4.	show running-config	Verify your entries.
5.	copy running-config startup-config	(Optional) Save your entries in the configuration file.

To return to the default setting, use the **no ip sap cache-timeout** global configuration command. To delete the entire cache, use the **clear ip sap** privileged EXEC command.

To display the session directory cache, use the **show ip sap** privileged EXEC command.

EXAMPLE

The following example causes SAP cache entries to remain in the cache for 30 minutes:

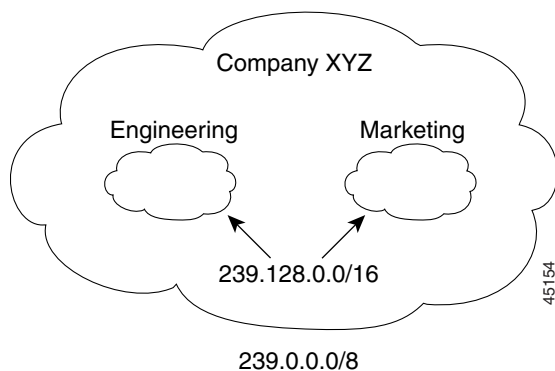
```
ip sap cache-timeout 30
```

Configuring an IP Multicast Boundary

Administratively-scoped boundaries can be used to limit the forwarding of multicast traffic outside of a domain or subdomain. This approach uses a special range of multicast addresses, called *administratively-scoped addresses*, as the boundary mechanism. If you configure an administratively-scoped boundary on a routed interface, multicast traffic whose multicast group addresses fall in this range cannot enter or exit this interface, thereby providing a firewall for multicast traffic in this address range.

Note: Multicast boundaries and TTL thresholds control the scoping of multicast domains; however, TTL thresholds are not supported by the switch. You should use multicast boundaries instead of TTL thresholds to limit the forwarding of multicast traffic outside of a domain or a subdomain.

[Figure 91 on page 736](#) shows that Company XYZ has an administratively-scoped boundary set for the multicast address range 239.0.0.0/8 on all routed interfaces at the perimeter of its network. This boundary prevents any multicast traffic in the range 239.0.0.0 through 239.255.255.255 from entering or leaving the network. Similarly, the engineering and marketing departments have an administratively-scoped boundary of 239.128.0.0/16 around the perimeter of their networks. This boundary prevents multicast traffic in the range of 239.128.0.0 through 239.128.255.255 from entering or leaving their respective networks.

Figure 91 Administratively-Scoped Boundaries

You can define an administratively-scoped boundary on a routed interface for multicast group addresses. A standard access list defines the range of addresses affected. When a boundary is defined, no multicast data packets are allowed to flow across the boundary from either direction. The boundary allows the same multicast group address to be reused in different administrative domains.

The IANA has designated the multicast address range 239.0.0.0 to 239.255.255.255 as the administratively-scoped addresses. This range of addresses can then be reused in domains administered by different organizations. The addresses would be considered local, not globally unique.

This procedure is optional.

BEFORE YOU BEGIN

Enable multicast routing on the interface as described in the [Configuring Basic Multicast Routing, page 701](#).

DETAILED STEPS

	Command	Purpose
1.	configure terminal	Enter global configuration mode.
2.	access-list <i>access-list-number</i> { deny permit } <i>source</i> [<i>source-wildcard</i>]	Create a standard access list, repeating the command as many times as necessary. <ul style="list-style-type: none"> ■ For <i>access-list-number</i>, the range is 1 to 99. ■ The deny keyword denies access if the conditions are matched. The permit keyword permits access if the conditions are matched. ■ For <i>source</i>, enter the number of the network or host from which the packet is being sent. ■ (Optional) For <i>source-wildcard</i>, enter the wildcard bits in dotted decimal notation to be applied to the source. Place ones in the bit positions that you want to ignore. Recall that the access list is always terminated by an implicit deny statement for everything.
3.	interface <i>interface-id</i>	Specify the interface to be configured, and enter interface configuration mode.
4.	no shutdown	Enable the port, if necessary. By default, UNIs and ENIs are disabled, and NNIs are enabled.
5.	ip multicast boundary <i>access-list-number</i>	Configure the boundary, specifying the access list you created in Step 2.
6.	end	Return to privileged EXEC mode.
7.	show running-config	Verify your entries.
8.	copy running-config startup-config	(Optional) Save your entries in the configuration file.

To remove the boundary, use the **no ip multicast boundary** interface configuration command.

EXAMPLE

This example shows how to set up a boundary for all administratively-scoped addresses:

```
Switch(config)# access-list 1 deny 239.0.0.0 0.255.255.255
Switch(config)# access-list 1 permit 224.0.0.0 15.255.255.255
Switch(config)# interface gigabitethernet0/1
Switch(config-if)# ip multicast boundary 1
```

Verifying Configuration

This section includes the following topics:

- [Clearing Caches, Tables, and Databases, page 738](#)
- [Displaying System and Network Statistics, page 738](#)
- [Monitoring IP Multicast Routing, page 739](#)

Clearing Caches, Tables, and Databases

You can remove all contents of a particular cache, table, or database. Clearing a cache, table, or database might be necessary when the contents of the particular structure are or suspected to be invalid.

Command	Purpose
clear ip igmp group [<i>group-name</i> <i>group-address</i> <i>interface</i>]	Delete entries from the IGMP cache.
clear ip mroute { * <i>group</i> [<i>source</i>]	Delete entries from the IP multicast routing table.
clear ip pim auto-rp <i>rp-address</i>	Clear the Auto-RP cache.
clear ip sdr [<i>group-address</i> " <i>session-name</i> "]	Delete the Session Directory Protocol Version 2 cache or an sdr cache entry.

Displaying System and Network Statistics

You can display specific statistics, such as the contents of IP routing tables, caches, and databases.

Note: This release does not support per-route statistics.

You can display information to learn resource utilization and solve network problems. You can also display information about node reachability and discover the routing path your device's packets are taking through the network.

Configuration Example

Command	Purpose
ping [<i>group-name</i> <i>group-address</i>]	Send an ICMP Echo Request to a multicast group address.
show ip igmp groups [<i>group-name</i> <i>group-address</i> <i>type number</i>]	Display the multicast groups that are directly connected to the switch and that were learned through IGMP.
show ip igmp interface [<i>type number</i>]	Display multicast-related information about an interface.
show ip mcache [<i>group</i> [<i>source</i>]]	Display the contents of the IP fast-switching cache.
show ip mpacket [<i>source-address</i> <i>name</i>] [<i>group-address</i> <i>name</i>] [detail]	Display the contents of the circular cache-header buffer.
show ip mroute [<i>group-name</i> <i>group-address</i>] [<i>source</i>] [summary] [count] [active kbps]	Display the contents of the IP multicast routing table.
show ip pim interface [<i>type number</i>] [count]	Display information about interfaces configured for PIM.
show ip pim neighbor [<i>type number</i>]	List the PIM neighbors discovered by the switch.
show ip pim rp [<i>group-name</i> <i>group-address</i>]	Display the RP routers associated with a sparse-mode multicast group.
show ip rpf { <i>source-address</i> <i>name</i> }	Display how the switch is doing Reverse-Path Forwarding (that is, from the unicast routing table or static mroutes).
show ip sap [<i>group</i> "session-name" detail]	Display the Session Directory Protocol Version 2 cache.

Monitoring IP Multicast Routing

Command	Purpose
mrinfo [<i>hostname</i> <i>address</i>] [<i>source-address</i> <i>interface</i>]	Query a multicast router or multilayer switch about which neighboring multicast devices are peering with it.
mstat <i>source</i> [<i>destination</i>] [<i>group</i>]	Display IP multicast packet rate and loss information.
mtrace <i>source</i> [<i>destination</i>] [<i>group</i>]	Trace the path from a source to a destination branch for a multicast distribution tree for a given group.

Configuration Example

This example enables IP multicast distributed switching and specifies the PIM mode:

```
Switch# configure terminal
Switch(config)# ip multicast-routing distributed
Switch(config)# interface GigabitEthernet 1/0/0
Switch(config-if)# ip pim sparse-dense-mode
Switch(config-if)# end
```

In this example, IP multicast routing is enabled, Switch A PIM uplink port 25 is configured as a routed uplink port with **sparse-dense-mode enabled**. PIM stub routing is enabled on the VLAN 100 interfaces and on Gigabit Ethernet port 20 in [Figure 86 on page 691](#):

```
Switch(config)# ip multicast-routing distributed
Switch(config)# interface GigabitEthernet0/25
Switch(config-if)# no switchport
Switch(config-if)# ip address 3.1.1.2 255.255.255.0
Switch(config-if)# ip pim sparse-dense-mode
Switch(config-if)# exit
```

Configuration Example

```
Switch(config)# interface vlan100
Switch(config-if)# ip pim passive
Switch(config-if)# exit
Switch(config)# interface GigabitEthernet0/20
Switch(config-if)# ip pim passive
Switch(config-if)# exit
Switch(config)# interface vlan100
Switch(config-if)# ip address 100.1.1.1 255.255.255.0
Switch(config-if)# ip pim passive
Switch(config-if)# exit
Switch(config)# interface GigabitEthernet0/20
Switch(config-if)# no switchport
Switch(config-if)# ip address 10.1.1.1 255.255.255.0
Switch(config-if)# ip pim passive
Switch(config-if)# end
```

To verify that PIM stub is enabled for each interface, use the **show ip pim interface** privileged EXEC command:

```
Switch# show ip pim interface
Address Interface Ver/ Nbr Query DR DR
Mode Count Intvl Prior
3.1.1.2 GigabitEthernet0/25 v2/SD 1 30 1 3.1.1.2
100.1.1.1 Vlan100 v2/P 0 30 1 100.1.1.1
10.1.1.1 GigabitEthernet0/20 v2/P 0 30 1 10.1.1.1
```

The following example shows how to configure a device (running IGMPv3) for SSM:

```
ip multicast-routing
ip pim ssm default
!
interface GigabitEthernet3/1/0
 ip address 172.21.200.203 255.255.255.0
 description backbone interface
 ip pim sparse-mode
!
interface GigabitEthernet3/2/0
 ip address 131.108.1.2 255.255.255.0
 ip pim sparse-mode
 description ethernet connected to hosts
 ip igmp version 3
!
```

The following example shows how to enable static SSM mapping. In this example, the router is configured to statically map groups that match ACL 11 to source address 172.16.8.11 and to statically map groups that match ACL 10 to source address 172.16.8.10.

```
Switch(config)# ip igmp ssm-map enable
Switch(config)# ip igmp ssm-map static 11 172.16.8.11
Switch(config)# ip igmp ssm-map static 10 172.16.8.10
Switch(config)# end
```

The following example shows how to configure DNS-based SSM mapping:

```
Switch(config)# ip igmp ssm-map enable
Switch(config)# ip name-server 10.0.0.0
Switch(config)# end
```

The following example shows how to configure group address 239.1.2.1 to use SSM mapping for statically forwarded groups on Ethernet interface 0:

```
interface ethernet 0
 ip igmp static-group 239.1.2.1 source ssm-map
```

This example shows how to configure the address of the RP to 147.106.6.22 for multicast group 225.2.2.2 only:

Configuration Example

```
Switch(config)# access-list 1 permit 225.2.2.2 0.0.0.0
Switch(config)# ip pim rp-address 147.106.6.22 1
```

This example shows how to send RP announcements out all PIM-enabled interfaces for a maximum of 31 hops. The IP address of port 1 is the RP. Access list 5 describes the group for which this switch serves as RP:

```
Switch(config)# ip pim send-rp-announce gigabitethernet0/1 scope 31 group-list 5
Switch(config)# access-list 5 permit 224.0.0.0 15.255.255.255
```

This example shows a sample configuration on an Auto-RP mapping agent that is used to prevent candidate RP announcements from being accepted from unauthorized candidate RPs. In this example, the mapping agent accepts candidate RP announcements from only two devices, 172.16.5.1 and 172.16.2.1. The mapping agent accepts candidate RP announcements from these two devices only for multicast groups that fall in the group range of 224.0.0.0 to 239.255.255.255. The mapping agent does not accept candidate RP announcements from any other devices in the network. Furthermore, the mapping agent does not accept candidate RP announcements from 172.16.5.1 or 172.16.2.1 if the announcements are for any groups in the 239.0.0.0 through 239.255.255.255 range. This range is the administratively scoped address range.

```
Switch(config)# ip pim rp-announce-filter rp-list 10 group-list 20
Switch(config)# access-list 10 permit host 172.16.5.1
Switch(config)# access-list 10 permit host 172.16.2.1
Switch(config)# access-list 20 deny 239.0.0.0 0.0.255.255
Switch(config)# access-list 20 permit 224.0.0.0 15.255.255.255
```

The following example configures the interface to be the PIM domain border:

```
interface ethernet 1
ip pim bsr-border
```

This example shows a portion of an IP multicast boundary configuration that denies Auto-RP information:

```
Switch(config)# access-list 1 deny 224.0.1.39
Switch(config)# access-list 1 deny 224.0.1.40
Switch(config)# interface gigabitethernet0/1
Switch(config-if)# ip multicast boundary 1
```

This example shows how to configure a candidate BSR, which uses the IP address 172.21.24.18 on a port as the advertised BSR address, uses 30 bits as the hash-mask-length, and has a priority of 10:

```
Switch(config)# interface gigabitethernet0/2
Switch(config-if)# ip address 172.21.24.18 255.255.255.0
Switch(config-if)# ip pim sparse-dense-mode
Switch(config-if)# ip pim bsr-candidate gigabitethernet0/2 30 10
```

This example shows how to configure the switch to advertise itself as a candidate RP to the BSR in its PIM domain. Standard access list number 4 specifies the group prefix associated with the RP that has the address identified by a port. That RP is responsible for the groups with the prefix 239.

```
Switch(config)# ip pim rp-candidate gigabitethernet0/2 group-list 4
Switch(config)# access-list 4 permit 239.0.0.0 0.255.255.255
```

The following example shows how to set a threshold of 4 kbps. If the traffic rate exceeds this threshold, the traffic to a group from a source causes the router to switch to the shortest path tree to that source.

```
Switch# configure terminal
Switch(config)# ip pim spt-threshold 4
```

The following example shows how to set the PIM hello interval to 45 seconds:

```
interface FastEthernet0/1
ip pim query-interval 45
```

Related Documents

This example shows how to enable the switch to join multicast group 255.2.2.2:

```
Switch(config)# interface gigabitethernet0/1  
Switch(config-if)# ip igmp join-group 255.2.2.2
```

The following example configures the router to use IGMP Version 2:

```
ip igmp version 2
```

The following example shows how to configure the switch to wait 240 seconds from the time it received the last query before it triggers the IGMP election process. In this example, the timeout period is manually modified in proportion to the IGMP query interval by using the **ip igmp querier-timeout** command.

```
interface GigabitEthernet1/17  
 ip igmp query-interval 120  
 ip igmp querier-timeout 240
```

The following example shows how to configure the switch to wait 250 seconds from the time it received the last query until the time that it triggers the IGMP election process. When the timeout value is explicitly configured, the query interval does not automatically adjust. Because the query interval was not explicitly configured to change the default value (60 seconds), the default timeout period of two times the query interval, or 120 seconds, is overridden by the specified value.

```
interface GigabitEthernet0/1  
 ip igmp querier-timeout 250
```

The following example configures a maximum response time of 8 seconds:

```
ip igmp query-max-response-time 8
```

The following example shows how to configure group address 239.100.100.101 on Ethernet interface 0:

```
interface ethernet 0  
 ip igmp static-group 239.100.100.101
```

The following example shows how to enable the switch to listen to session directory announcements:

```
ip routing  
interface loopback 0  
 ip address 10.0.0.51 255.255.255.0  
 ip pim sparse-dense mode  
 ip sap listen
```

The following example causes SAP cache entries to remain in the cache for 30 minutes:

```
ip sap cache-timeout 30
```

This example shows how to set up a boundary for all administratively-scoped addresses:

```
Switch(config)# access-list 1 deny 239.0.0.0 0.255.255.255  
Switch(config)# access-list 1 permit 224.0.0.0 15.255.255.255  
Switch(config)# interface gigabitethernet0/1  
Switch(config-if)# ip multicast boundary 1
```

Related Documents

- [Cisco IOS IP Multicast Command Reference](#)
- [IP Multicast Configuration Guide Library, Cisco IOS Release 15M&T](#)
- [Cisco IOS Master Command List, All Releases](#)