



## Replacing the Fan Tray

---

- [Required Tools, on page 1](#)
- [Removing the Fan Tray, on page 1](#)
- [Installing the Fan Tray, on page 2](#)
- [Checking the Installation, on page 3](#)
- [Finding the Fan Serial Number, on page 3](#)

## Required Tools

You might need a flat-blade or number 2 Phillips-head screwdriver to loosen or tighten the captive installation screws on the fan tray.

## Removing the Fan Tray

The fan tray is designed to be removed and replaced while the system is operating without presenting an electrical hazard or damage to the system.



---

**Note** You have 120 seconds to remove and insert of the fan-tray, under specified ambient operating temperatures.

---



---

**Warning** The fans might still be turning when you remove the fan from the chassis. Keep fingers, screwdrivers, and other objects away from the openings in the fan's housing. **Statement 263**

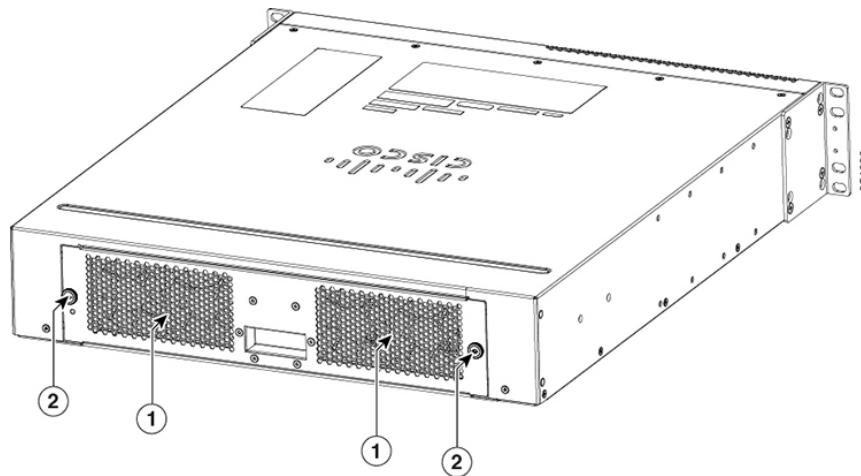
---

### Procedure

---

**Step 1** Locate the fan tray as shown in the figure.

Figure 1: Fan Tray Location



1	Location of fan tray
---	----------------------

**Step 2** Loosen the fan tray captive installation screw by turning it counterclockwise.

**Step 3** Grasp the fan tray, and pull it outward; gently move side to side, if necessary, to unseat the fan tray power connector from the backplane.

**Caution** When removing the fan tray, keep your hands and fingers away from the spinning fan blades. Let the fan blades stop completely before you remove the fan tray.

**Step 4** Pull the fan tray clear of the chassis, and set it aside.

## Installing the Fan Tray

### Procedure

**Step 1** Position the fan tray with the captive installation screws in front of the fan tray cavity at the rear of the chassis.

**Step 2** Place the fan tray into the chassis cavity so that the pin on the fan tray assembly is aligned with the hole on the chassis.

**Step 3** Push the fan tray into the chassis until the power connector seats in the backplane and the captive installation screw make contact with the chassis.

**Step 4** Tighten the captive installation screws.

### Related Topics

[Cooling with the Fan Tray](#)

# Checking the Installation

## Procedure

---

- Step 1** Listen for the fans; you should immediately hear them operating. If you do not hear them, ensure that the fan tray is inserted completely in the chassis and that the faceplate is flush with the switch back panel.
- Step 2** Verify that the Fan LED is green. If the LED is amber, one or more of the fans are faulty.
- If after several attempts the fans do not operate or if you experience trouble with the installation (for instance, if the captive installation screws do not align with the chassis holes), contact a Cisco customer service representative for assistance.
- 

# Finding the Fan Serial Number

If you contact Cisco Technical Assistance, you need to know the fan serial number. This figure shows where the serial number is located. You can also use the **show version** privileged EXEC command to see the serial number. For more information, refer to [Fan Tray LEDs](#)

Figure 2: Serial Number on the Fan

