



# Configuring IP Unicast Routing

- [Finding Feature Information, on page 2](#)
- [Information About Configuring IP Unicast Routing, on page 2](#)
- [Information About IP Routing, on page 2](#)
- [How to Configure IP Routing, on page 9](#)
- [How to Configure IP Addressing, on page 10](#)
- [Monitoring and Maintaining IP Addressing, on page 28](#)
- [How to Configure IP Unicast Routing, on page 29](#)
- [Information About RIP, on page 30](#)
- [How to Configure RIP, on page 31](#)
- [Configuration Example for Summary Addresses and Split Horizon, on page 38](#)
- [Information About OSPF, on page 38](#)
- [How to Configure OSPF, on page 42](#)
- [Monitoring OSPF, on page 52](#)
- [Configuration Examples for OSPF, on page 53](#)
- [Information About EIGRP, on page 53](#)
- [How to Configure EIGRP, on page 57](#)
- [Monitoring and Maintaining EIGRP, on page 64](#)
- [Information About BGP, on page 64](#)
- [How to Configure BGP, on page 71](#)
- [Monitoring and Maintaining BGP, on page 93](#)
- [Configuration Examples for BGP, on page 94](#)
- [Information About ISO CLNS Routing, on page 96](#)
- [How to Configure ISO CLNS Routing, on page 99](#)
- [Monitoring and Maintaining ISO IGRP and IS-IS, on page 107](#)
- [Configuration Examples for ISO CLNS Routing, on page 109](#)
- [Information About Multi-VRF CE, on page 110](#)
- [How to Configure Multi-VRF CE, on page 112](#)
- [Configuration Examples for Multi-VRF CE, on page 125](#)
- [Configuring Unicast Reverse Path Forwarding, on page 129](#)
- [Protocol-Independent Features, on page 129](#)
- [Monitoring and Maintaining the IP Network, on page 156](#)

## Finding Feature Information

Your software release may not support all the features documented in this module. For the latest caveats and feature information, see Bug Search Tool and the release notes for your platform and software release. To find information about the features documented in this module, and to see a list of the releases in which each feature is supported, see the feature information table at the end of this module.

Use Cisco Feature Navigator to find information about platform support and Cisco software image support. To access Cisco Feature Navigator, go to <http://www.cisco.com/go/cfn>. An account on Cisco.com is not required.

## Information About Configuring IP Unicast Routing

This module describes how to configure IP Version 4 (IPv4) unicast routing on the switch.



**Note** On switches running the LAN base feature, static routing on VLANs is supported only with this release.

A switch stack operates and appears as a single router to the rest of the routers in the network. Basic routing functions like static routing and the Routing Information Protocol (RIP), are available with both the IP Base feature set and the IP Services feature set. To use advanced routing features and other routing protocols, you must have the IP Services feature set enabled on the standalone switch or on the active switch.



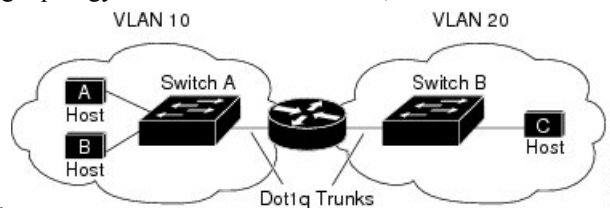
**Note** In addition to IPv4 traffic, you can also enable IP Version 6 (IPv6) unicast routing and configure interfaces to forward IPv6 traffic if the switch or switch stack is running the IP Base or IP Services feature set.

## Information About IP Routing

In some network environments, VLANs are associated with individual networks or subnetworks. In an IP network, each subnetwork is mapped to an individual VLAN. Configuring VLANs helps control the size of the broadcast domain and keeps local traffic local. However, network devices in different VLANs cannot communicate with one another without a Layer 3 device (router) to route traffic between the VLAN, referred to as inter-VLAN routing. You configure one or more routers to route traffic to the appropriate destination VLAN.

**Figure 1: Routing Topology Example**

This figure shows a basic routing topology. Switch A is in VLAN 10, and Switch B is in VLAN 20. The router



has an interface in each VLAN.

When Host A in VLAN 10 needs to communicate with Host B in VLAN 10, it sends a packet addressed to that host. Switch A forwards the packet directly to Host B, without sending it to the router.

When Host A sends a packet to Host C in VLAN 20, Switch A forwards the packet to the router, which receives the traffic on the VLAN 10 interface. The router checks the routing table, finds the correct outgoing interface, and forwards the packet on the VLAN 20 interface to Switch B. Switch B receives the packet and forwards it to Host C.

## Types of Routing

Routers and Layer 3 switches can route packets in these ways:

- By using default routing
- By using preprogrammed static routes for the traffic
- By dynamically calculating routes by using a routing protocol

Default routing refers to sending traffic with a destination unknown to the router to a default outlet or destination.

Static unicast routing forwards packets from predetermined ports through a single path into and out of a network. Static routing is secure and uses little bandwidth, but does not automatically respond to changes in the network, such as link failures, and therefore, might result in unreachable destinations. As networks grow, static routing becomes a labor-intensive liability.

Switches running the LAN base feature set support 16 user-configured static routes, in addition to any default routes used for the management interface. The LAN base image supports static routing only on SVIs.

Dynamic routing protocols are used by routers to dynamically calculate the best route for forwarding traffic. There are two types of dynamic routing protocols:

- Routers using distance-vector protocols maintain routing tables with distance values of networked resources, and periodically pass these tables to their neighbors. Distance-vector protocols use one or a series of metrics for calculating the best routes. These protocols are easy to configure and use.
- Routers using link-state protocols maintain a complex database of network topology, based on the exchange of link-state advertisements (LSAs) between routers. LSAs are triggered by an event in the network, which speeds up the convergence time or time required to respond to these changes. Link-state protocols respond quickly to topology changes, but require greater bandwidth and more resources than distance-vector protocols.

Distance-vector protocols supported by the switch are Routing Information Protocol (RIP), which uses a single distance metric (cost) to determine the best path and Border Gateway Protocol (BGP), which adds a path vector mechanism. The switch also supports the Open Shortest Path First (OSPF) link-state protocol and Enhanced IGRP (EIGRP), which adds some link-state routing features to traditional Interior Gateway Routing Protocol (IGRP) to improve efficiency.



---

**Note** On a switch or switch stack, the supported protocols are determined by the software running on the active switch. If the active switch is running the IP base feature set, only default routing, static routing and RIP are supported. If the switch is running the LAN base feature set, you can configure 16 static routes on SVIs. All other routing protocols require the IP services feature set.

---

## IP Routing and Switch Stacks

A switch stack appears to the network as a single switch, regardless of which switch in the stack is connected to a routing peer.

The active switch performs these functions:

- It initializes and configures the routing protocols.
- It sends routing protocol messages and updates to other routers.
- It processes routing protocol messages and updates received from peer routers.
- It generates, maintains, and distributes the distributed Cisco Express Forwarding (dCEF) database to all stack members. The routes are programmed on all switches in the stack bases on this database.
- The MAC address of the active switch is used as the router MAC address for the whole stack, and all outside devices use this address to send IP packets to the stack.
- All IP packets that require software forwarding or processing go through the CPU of the active switch.

Stack members perform these functions:

- They act as routing standby switches, ready to take over in case they are elected as the new active switch if the active switch fails.
- They program the routes into hardware.

If a active switch fails, the stack detects that the active switch is down and elects one of the stack members to be the new active switch. During this period, except for a momentary interruption, the hardware continues to forward packets with no active protocols.

However, even though the switch stack maintains the hardware identification after a failure, the routing protocols on the router neighbors might flap during the brief interruption before the active switch restarts. Routing protocols such as OSPF and EIGRP need to recognize neighbor transitions. The router uses two levels of nonstop forwarding (NSF) to detect a switchover, to continue forwarding network traffic, and to recover route information from peer devices:

- NSF-aware routers tolerate neighboring router failures. After the neighbor router restarts, an NSF-aware router supplies information about its state and route adjacencies on request.
- NSF-capable routers support NSF. When they detect a active switch change, they rebuild routing information from NSF-aware or NSF-capable neighbors and do not wait for a restart.

The switch stack supports NSF-capable routing for OSPF and EIGRP.

Upon election, the new active switch performs these functions:

- It starts generating, receiving, and processing routing updates.
- It builds routing tables, generates the CEF database, and distributes it to stack members.
- It uses its MAC address as the router MAC address. To notify its network peers of the new MAC address, it periodically (every few seconds for 5 minutes) sends a gratuitous ARP reply with the new router MAC address.



---

**Note** If you configure the persistent MAC address feature on the stack and the active switch changes, the stack MAC address does not change for the configured time period. If the previous active switch rejoins the stack as a member switch during that time period, the stack MAC address remains the MAC address of the previous active switch.

---

- It attempts to determine the reachability of every proxy ARP entry by sending an ARP request to the proxy ARP IP address and receiving an ARP reply. For each reachable proxy ARP IP address, it generates a gratuitous ARP reply with the new router MAC address. This process is repeated for 5 minutes after a new active switch election.



---

**Note** When a active switch is running the IP services feature set, the stack can run all supported protocols, including Open Shortest Path First (OSPF), and Enhanced IGRP (EIGRP) . If the active switch fails and the new elected active switch is running the IP base or LAN base feature set, these protocols will no longer run in the stack.

---



---

**Caution** Partitioning of the switch stack into two or more stacks might lead to undesirable behavior in the network.

---

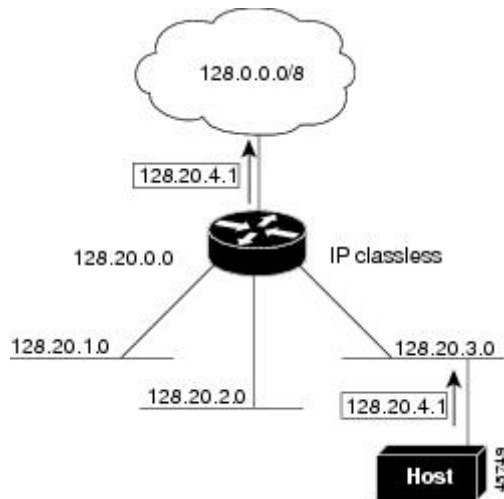
If the switch is reloaded, then all the ports on that switch go down and there is a loss of traffic for the interfaces involved in routing, despite NSF/SSO capability.

## Classless Routing

By default, classless routing behavior is enabled on the Device when it is configured to route. With classless routing, if a router receives packets for a subnet of a network with no default route, the router forwards the packet to the best supernet route. A supernet consists of contiguous blocks of Class C address spaces used to simulate a single, larger address space and is designed to relieve the pressure on the rapidly depleting Class B address space.

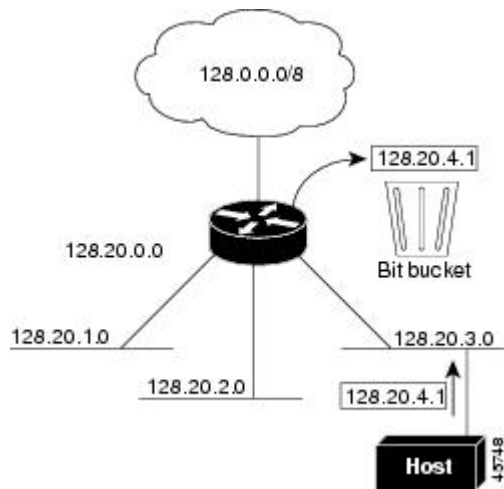
In the figure, classless routing is enabled. When the host sends a packet to 120.20.4.1, instead of discarding the packet, the router forwards it to the best supernet route. If you disable classless routing and a router receives packets destined for a subnet of a network with no network default route, the router discards the packet.

Figure 2: IP Classless Routing



In the figure, the router in network 128.20.0.0 is connected to subnets 128.20.1.0, 128.20.2.0, and 128.20.3.0. If the host sends a packet to 128.20.4.1, because there is no network default route, the router discards the packet.

Figure 3: No IP Classless Routing



To prevent the Device from forwarding packets destined for unrecognized subnets to the best supernet route possible, you can disable classless routing behavior.

## Address Resolution

You can control interface-specific handling of IP by using address resolution. A device using IP can have both a local address or MAC address, which uniquely defines the device on its local segment or LAN, and a network address, which identifies the network to which the device belongs.



**Note** In a switch stack, network communication uses a single MAC address and the IP address of the stack.

The local address or MAC address is known as a data link address because it is contained in the data link layer (Layer 2) section of the packet header and is read by data link (Layer 2) devices. To communicate with a device on Ethernet, the software must learn the MAC address of the device. The process of learning the MAC address from an IP address is called *address resolution*. The process of learning the IP address from the MAC address is called *reverse address resolution*.

The Device can use these forms of address resolution:

- Address Resolution Protocol (ARP) is used to associate IP address with MAC addresses. Taking an IP address as input, ARP learns the associated MAC address and then stores the IP address/MAC address association in an ARP cache for rapid retrieval. Then the IP datagram is encapsulated in a link-layer frame and sent over the network. Encapsulation of IP datagrams and ARP requests or replies on IEEE 802 networks other than Ethernet is specified by the Subnetwork Access Protocol (SNAP).
- Proxy ARP helps hosts with no routing tables learn the MAC addresses of hosts on other networks or subnets. If the Device (router) receives an ARP request for a host that is not on the same interface as the ARP request sender, and if the router has all of its routes to the host through other interfaces, it generates a proxy ARP packet giving its own local data link address. The host that sent the ARP request then sends its packets to the router, which forwards them to the intended host.

The Device also uses the Reverse Address Resolution Protocol (RARP), which functions the same as ARP does, except that the RARP packets request an IP address instead of a local MAC address. Using RARP requires a RARP server on the same network segment as the router interface. Use the **ip rarp-server address** interface configuration command to identify the server.

For more information on RARP, see the *Cisco IOS Configuration Fundamentals Configuration Guide*

## Proxy ARP

Proxy ARP, the most common method for learning about other routes, enables an Ethernet host with no routing information to communicate with hosts on other networks or subnets. The host assumes that all hosts are on the same local Ethernet and that they can use ARP to learn their MAC addresses. If a Device receives an ARP request for a host that is not on the same network as the sender, the Device evaluates whether it has the best route to that host. If it does, it sends an ARP reply packet with its own Ethernet MAC address, and the host that sent the request sends the packet to the Device, which forwards it to the intended host. Proxy ARP treats all networks as if they are local and performs ARP requests for every IP address.

## ICMP Router Discovery Protocol

Router discovery allows the Device to dynamically learn about routes to other networks using ICMP router discovery protocol (IRDP). IRDP allows hosts to locate routers. When operating as a client, the Device generates router discovery packets. When operating as a host, the Device receives router discovery packets. The Device can also listen to Routing Information Protocol (RIP) routing updates and use this information to infer locations of routers. The Device does not actually store the routing tables sent by routing devices; it merely keeps track of which systems are sending the data. The advantage of using IRDP is that it allows each router to specify both a priority and the time after which a device is assumed to be down if no further packets are received.

Each device discovered becomes a candidate for the default router, and a new highest-priority router is selected when a higher priority router is discovered, when the current default router is declared down, or when a TCP connection is about to time out because of excessive retransmissions.

## UDP Broadcast Packets and Protocols

User Datagram Protocol (UDP) is an IP host-to-host layer protocol, as is TCP. UDP provides a low-overhead, connectionless session between two end systems and does not provide for acknowledgment of received datagrams. Network hosts occasionally use UDP broadcasts to find address, configuration, and name information. If such a host is on a network segment that does not include a server, UDP broadcasts are normally not forwarded. You can remedy this situation by configuring an interface on a router to forward certain classes of broadcasts to a helper address. You can use more than one helper address per interface.

You can specify a UDP destination port to control which UDP services are forwarded. You can specify multiple UDP protocols. You can also specify the Network Disk (ND) protocol, which is used by older diskless Sun workstations and the network security protocol SDNS.

By default, both UDP and ND forwarding are enabled if a helper address has been defined for an interface. The description for the **ip forward-protocol** interface configuration command in the *Cisco IOS IP Command Reference, Volume 1 of 3: Addressing and Services* lists the ports that are forwarded by default if you do not specify any UDP ports.

## Broadcast Packet Handling

After configuring an IP interface address, you can enable routing and configure one or more routing protocols, or you can configure the way the Device responds to network broadcasts. A broadcast is a data packet destined for all hosts on a physical network. The Device supports two kinds of broadcasting:

- A directed broadcast packet is sent to a specific network or series of networks. A directed broadcast address includes the network or subnet fields.
- A flooded broadcast packet is sent to every network.



---

**Note** You can also limit broadcast, unicast, and multicast traffic on Layer 2 interfaces by using the **storm-control** interface configuration command to set traffic suppression levels.

---

Routers provide some protection from broadcast storms by limiting their extent to the local cable. Bridges (including intelligent bridges), because they are Layer 2 devices, forward broadcasts to all network segments, thus propagating broadcast storms. The best solution to the broadcast storm problem is to use a single broadcast address scheme on a network. In most modern IP implementations, you can set the address to be used as the broadcast address. Many implementations, including the one in the Device, support several addressing schemes for forwarding broadcast messages.

## IP Broadcast Flooding

You can allow IP broadcasts to be flooded throughout your internetwork in a controlled fashion by using the database created by the bridging STP. Using this feature also prevents loops. To support this capability, bridging must be configured on each interface that is to participate in the flooding. If bridging is not configured



on an interface, it still can receive broadcasts. However, the interface never forwards broadcasts it receives, and the router never uses that interface to send broadcasts received on a different interface.

Packets that are forwarded to a single network address using the IP helper-address mechanism can be flooded. Only one copy of the packet is sent on each network segment.

To be considered for flooding, packets must meet these criteria. (Note that these are the same conditions used to consider packet forwarding using IP helper addresses.)

- The packet must be a MAC-level broadcast.
- The packet must be an IP-level broadcast.
- The packet must be a TFTP, DNS, Time, NetBIOS, ND, or BOOTP packet, or a UDP specified by the **ip forward-protocol udp** global configuration command.
- The time-to-live (TTL) value of the packet must be at least two.

A flooded UDP datagram is given the destination address specified with the **ip broadcast-address** interface configuration command on the output interface. The destination address can be set to any address. Thus, the destination address might change as the datagram propagates through the network. The source address is never changed. The TTL value is decremented.

When a flooded UDP datagram is sent out an interface (and the destination address possibly changed), the datagram is handed to the normal IP output routines and is, therefore, subject to access lists, if they are present on the output interface.

In the Device, the majority of packets are forwarded in hardware; most packets do not go through the Device CPU. For those packets that do go to the CPU, you can speed up spanning tree-based UDP flooding by a factor of about four to five times by using turbo-flooding. This feature is supported over Ethernet interfaces configured for ARP encapsulation.

## How to Configure IP Routing

By default, IP routing is disabled on the Device, and you must enable it before routing can take place. For detailed IP routing configuration information, see the *Cisco IOS IP Configuration Guide*.

In the following procedures, the specified interface must be one of these Layer 3 interfaces:

- A routed port: a physical port configured as a Layer 3 port by using the **no switchport** interface configuration command.
- A switch virtual interface (SVI): a VLAN interface created by using the **interface vlan** *vlan\_id* global configuration command and by default a Layer 3 interface.
- An EtherChannel port channel in Layer 3 mode: a port-channel logical interface created by using the **interface port-channel** *port-channel-number* global configuration command and binding the Ethernet interface into the channel group. For more information, see the “Configuring Layer 3 EtherChannels” chapter in the Layer 2 Configuration Guide.



---

**Note** The switch does not support tunnel interfaces for unicast routed traffic.

---

All Layer 3 interfaces on which routing will occur must have IP addresses assigned to them.



**Note** A Layer 3 switch can have an IP address assigned to each routed port and SVI.

The number of routed ports and SVIs that you can configure is limited to 128, exceeding the recommended number and volume of features being implemented might impact CPU utilization because of hardware limitations.

Configuring routing consists of several main procedures:

- To support VLAN interfaces, create and configure VLANs on the Device or switch stack, and assign VLAN membership to Layer 2 interfaces. For more information, see the "Configuring VLANs" chapter in the VLAN Configuration Guide.
- Configure Layer 3 interfaces.
- Enable IP routing on the switch.
- Assign IP addresses to the Layer 3 interfaces.
- Enable selected routing protocols on the switch.
- Configure routing protocol parameters (optional).

## How to Configure IP Addressing

A required task for configuring IP routing is to assign IP addresses to Layer 3 network interfaces to enable the interfaces and allow communication with the hosts on those interfaces that use IP. The following sections describe how to configure various IP addressing features. Assigning IP addresses to the interface is required; the other procedures are optional.

- Default Addressing Configuration
- Assigning IP Addresses to Network Interfaces
- Configuring Address Resolution Methods
- Routing Assistance When IP Routing is Disabled
- Configuring Broadcast Packet Handling
- Monitoring and Maintaining IP Addressing

## Default IP Addressing Configuration

*Table 1: Default Addressing Configuration*

Feature	Default Setting
IP address	None defined.

Feature	Default Setting
ARP	No permanent entries in the Address Resolution Protocol (ARP) cache. Encapsulation: Standard Ethernet-style ARP. Timeout: 14400 seconds (4 hours).
IP broadcast address	255.255.255.255 (all ones).
IP classless routing	Enabled.
IP default gateway	Disabled.
IP directed broadcast	Disabled (all IP directed broadcasts are dropped).
IP domain	Domain list: No domain names defined. Domain lookup: Enabled. Domain name: Enabled.
IP forward-protocol	If a helper address is defined or User Datagram Protocol (UDP) flooding is configured, UDP forwarding is enabled on default ports. Any-local-broadcast: Disabled. Spanning Tree Protocol (STP): Disabled. Turbo-flood: Disabled.
IP helper address	Disabled.
IP host	Disabled.
IRDP	Disabled. Defaults when enabled: <ul style="list-style-type: none"> <li>• Broadcast IRDP advertisements.</li> <li>• Maximum interval between advertisements: 600 seconds.</li> <li>• Minimum interval between advertisements: 0.75 times max interval</li> <li>• Preference: 0.</li> </ul>
IP proxy ARP	Enabled.
IP routing	Disabled.
IP subnet-zero	Disabled.

## Assigning IP Addresses to Network Interfaces

An IP address identifies a location to which IP packets can be sent. Some IP addresses are reserved for special uses and cannot be used for host, subnet, or network addresses. RFC 1166, “Internet Numbers,” contains the official description of IP addresses.

An interface can have one primary IP address. A mask identifies the bits that denote the network number in an IP address. When you use the mask to subnet a network, the mask is referred to as a subnet mask. To receive an assigned network number, contact your Internet service provider.

### Procedure

	Command or Action	Purpose
<b>Step 1</b>	<b>enable</b> <b>Example:</b> Device> <b>enable</b>	Enables privileged EXEC mode. Enter your password if prompted.
<b>Step 2</b>	<b>configure terminal</b> <b>Example:</b> Device# <b>configure terminal</b>	Enters the global configuration mode.
<b>Step 3</b>	<b>interface</b> <i>interface-id</i> <b>Example:</b> Device(config)# <b>interface</b> gigabitethernet 1/0/1	Enters interface configuration mode, and specifies the Layer 3 interface to configure.
<b>Step 4</b>	<b>no switchport</b> <b>Example:</b> Device(config-if)# <b>no switchport</b>	Removes the interface from Layer 2 configuration mode (if it is a physical interface).
<b>Step 5</b>	<b>ip address</b> <i>ip-address subnet-mask</i> <b>Example:</b> Device(config-if)# <b>ip address</b> 10.1.5.1 255.255.255.0	Configures the IP address and IP subnet mask.
<b>Step 6</b>	<b>no shutdown</b> <b>Example:</b> Device(config-if)# <b>no shutdown</b>	Enables the physical interface.
<b>Step 7</b>	<b>end</b> <b>Example:</b>	Returns to privileged EXEC mode.

	Command or Action	Purpose
	Device(config)# <b>end</b>	
<b>Step 8</b>	<b>show ip route</b> <b>Example:</b> Device# show ip route	Verifies your entries.
<b>Step 9</b>	<b>show ip interface [interface-id]</b> <b>Example:</b> Device# show ip interface gigabitethernet 1/0/1	Verifies your entries.
<b>Step 10</b>	<b>show running-config</b> <b>Example:</b> Device# show running-config	Verifies your entries.
<b>Step 11</b>	<b>copy running-config startup-config</b> <b>Example:</b> Device# copy running-config startup-config	(Optional) Saves your entries in the configuration file.

## Using Subnet Zero

Subnetting with a subnet address of zero is strongly discouraged because of the problems that can arise if a network and a subnet have the same addresses. For example, if network 131.108.0.0 is subnetted as 255.255.255.0, subnet zero would be written as 131.108.0.0, which is the same as the network address.

You can use the all ones subnet (131.108.255.0) and even though it is discouraged, you can enable the use of subnet zero if you need the entire subnet space for your IP address.

Use the **no ip subnet-zero** global configuration command to restore the default and disable the use of subnet zero.

### Procedure

	Command or Action	Purpose
<b>Step 1</b>	<b>enable</b> <b>Example:</b> Device> <b>enable</b>	Enables privileged EXEC mode. Enter your password if prompted.
<b>Step 2</b>	<b>configure terminal</b> <b>Example:</b>	Enters the global configuration mode.

	Command or Action	Purpose
	Device# <code>configure terminal</code>	
<b>Step 3</b>	<b>ip subnet-zero</b> <b>Example:</b> Device(config)# <code>ip subnet-zero</code>	Enables the use of subnet zero for interface addresses and routing updates.
<b>Step 4</b>	<b>end</b> <b>Example:</b> Device(config)# <code>end</code>	Returns to privileged EXEC mode.
<b>Step 5</b>	<b>show running-config</b> <b>Example:</b> Device# <code>show running-config</code>	Verifies your entries.
<b>Step 6</b>	<b>copy running-config startup-config</b> <b>Example:</b> Device# <code>copy running-config startup-config</code>	(Optional) Saves your entries in the configuration file.

## Disabling Classless Routing

To prevent the Device from forwarding packets destined for unrecognized subnets to the best supernet route possible, you can disable classless routing behavior.

### Procedure

	Command or Action	Purpose
<b>Step 1</b>	<b>enable</b> <b>Example:</b> Device> <code>enable</code>	Enables privileged EXEC mode. Enter your password if prompted.
<b>Step 2</b>	<b>configure terminal</b> <b>Example:</b> Device# <code>configure terminal</code>	Enters the global configuration mode.

	Command or Action	Purpose
Step 3	<b>no ip classless</b> <b>Example:</b> Device(config)#no ip classless	Disables classless routing behavior.
Step 4	<b>end</b> <b>Example:</b> Device(config)# end	Returns to privileged EXEC mode.
Step 5	<b>show running-config</b> <b>Example:</b> Device# show running-config	Verifies your entries.
Step 6	<b>copy running-config startup-config</b> <b>Example:</b> Device# copy running-config startup-config	(Optional) Saves your entries in the configuration file.

## Configuring Address Resolution Methods

You can perform the following tasks to configure address resolution.

### Defining a Static ARP Cache

ARP and other address resolution protocols provide dynamic mapping between IP addresses and MAC addresses. Because most hosts support dynamic address resolution, you usually do not need to specify static ARP cache entries. If you must define a static ARP cache entry, you can do so globally, which installs a permanent entry in the ARP cache that the Device uses to translate IP addresses into MAC addresses. Optionally, you can also specify that the Device respond to ARP requests as if it were the owner of the specified IP address. If you do not want the ARP entry to be permanent, you can specify a timeout period for the ARP entry.

#### Procedure

	Command or Action	Purpose
Step 1	<b>enable</b> <b>Example:</b> Device> enable	Enables privileged EXEC mode. Enter your password if prompted.
Step 2	<b>configure terminal</b> <b>Example:</b>	Enters the global configuration mode.

	Command or Action	Purpose
	Device# <b>configure terminal</b>	
<b>Step 3</b>	<b>arp ip-address hardware-address type</b> <b>Example:</b> Device(config)# ip 10.1.5.1 c2f3.220a.12f4 arpa	Associates an IP address with a MAC (hardware) address in the ARP cache, and specifies encapsulation type as one of these: <ul style="list-style-type: none"> <li>• <b>arpa</b>—ARP encapsulation for Ethernet interfaces</li> <li>• <b>snap</b>—Subnetwork Address Protocol encapsulation for Token Ring and FDDI interfaces</li> <li>• <b>sap</b>—HP's ARP type</li> </ul>
<b>Step 4</b>	<b>arp ip-address hardware-address type [alias]</b> <b>Example:</b> Device(config)# ip 10.1.5.3 d7f3.220d.12f5 arpa alias	(Optional) Specifies that the switch respond to ARP requests as if it were the owner of the specified IP address.
<b>Step 5</b>	<b>interface interface-id</b> <b>Example:</b> Device(config)# interface gigabitethernet 1/0/1	Enters interface configuration mode, and specifies the interface to configure.
<b>Step 6</b>	<b>arp timeout seconds</b> <b>Example:</b> Device(config-if)# arp 20000	(Optional) Sets the length of time an ARP cache entry will stay in the cache. The default is 14400 seconds (4 hours). The range is 0 to 2147483 seconds.
<b>Step 7</b>	<b>end</b> <b>Example:</b> Device(config)# <b>end</b>	Returns to privileged EXEC mode.
<b>Step 8</b>	<b>show interfaces [interface-id]</b> <b>Example:</b> Device# show interfaces gigabitethernet 1/0/1	Verifies the type of ARP and the timeout value used on all interfaces or a specific interface.
<b>Step 9</b>	<b>show arp</b> <b>Example:</b> Device# show arp	Views the contents of the ARP cache.
<b>Step 10</b>	<b>show ip arp</b> <b>Example:</b>	Views the contents of the ARP cache.



	Command or Action	Purpose
	Device# show ip arp	
<b>Step 11</b>	<b>copy running-config startup-config</b> <b>Example:</b> Device# <b>copy running-config startup-config</b>	(Optional) Saves your entries in the configuration file.

## Setting ARP Encapsulation

By default, Ethernet ARP encapsulation (represented by the **arpa** keyword) is enabled on an IP interface. You can change the encapsulation methods to SNAP if required by your network.

To disable an encapsulation type, use the **no arp arpa** or **no arp snap** interface configuration command.

### Procedure

	Command or Action	Purpose
<b>Step 1</b>	<b>enable</b> <b>Example:</b> Device> <b>enable</b>	Enables privileged EXEC mode. Enter your password if prompted.
<b>Step 2</b>	<b>configure terminal</b> <b>Example:</b> Device# <b>configure terminal</b>	Enters the global configuration mode.
<b>Step 3</b>	<b>interface interface-id</b> <b>Example:</b> Device(config)# <b>interface gigabitethernet 1/0/2</b>	Enters interface configuration mode, and specifies the Layer 3 interface to configure.
<b>Step 4</b>	<b>arp {arpa   snap}</b> <b>Example:</b> Device(config-if)# <b>arp arpa</b>	Specifies the ARP encapsulation method: <ul style="list-style-type: none"> <li>• <b>arpa</b>—Address Resolution Protocol</li> <li>• <b>snap</b>—Subnetwork Address Protocol</li> </ul>
<b>Step 5</b>	<b>end</b> <b>Example:</b> Device(config)# <b>end</b>	Returns to privileged EXEC mode.

	Command or Action	Purpose
<b>Step 6</b>	<b>show interfaces</b> [ <i>interface-id</i> ] <b>Example:</b> Device# show interfaces	Verifies ARP encapsulation configuration on all interfaces or the specified interface.
<b>Step 7</b>	<b>copy running-config startup-config</b> <b>Example:</b> Device# copy running-config startup-config	(Optional) Saves your entries in the configuration file.

## Enabling Proxy ARP

By default, the Device uses proxy ARP to help hosts learn MAC addresses of hosts on other networks or subnets.

### Procedure

	Command or Action	Purpose
<b>Step 1</b>	<b>enable</b> <b>Example:</b> Device> enable	Enables privileged EXEC mode. Enter your password if prompted.
<b>Step 2</b>	<b>configure terminal</b> <b>Example:</b> Device# configure terminal	Enters the global configuration mode.
<b>Step 3</b>	<b>interface</b> <i>interface-id</i> <b>Example:</b> Device(config)# interface gigabitethernet 1/0/2	Enters interface configuration mode, and specifies the Layer 3 interface to configure.
<b>Step 4</b>	<b>ip proxy-arp</b> <b>Example:</b> Device(config-if)# ip proxy-arp	Enables proxy ARP on the interface.
<b>Step 5</b>	<b>end</b> <b>Example:</b> Device(config)# end	Returns to privileged EXEC mode.

	Command or Action	Purpose
<b>Step 6</b>	<b>show ip interface</b> [ <i>interface-id</i> ] <b>Example:</b> Device# show ip interface gigabitethernet 1/0/2	Verifies the configuration on the interface or all interfaces.
<b>Step 7</b>	<b>copy running-config startup-config</b> <b>Example:</b> Device# copy running-config startup-config	(Optional) Saves your entries in the configuration file.

## Routing Assistance When IP Routing is Disabled

These mechanisms allow the Device to learn about routes to other networks when it does not have IP routing enabled:

- Proxy ARP
- Default Gateway
- ICMP Router Discovery Protocol (IRDP)

### Proxy ARP

Proxy ARP is enabled by default. To enable it after it has been disabled, see the “Enabling Proxy ARP” section. Proxy ARP works as long as other routers support it.

### Default Gateway

Another method for locating routes is to define a default router or default gateway. All non-local packets are sent to this router, which either routes them appropriately or sends an IP Control Message Protocol (ICMP) redirect message back, defining which local router the host should use. The Device caches the redirect messages and forwards each packet as efficiently as possible. A limitation of this method is that there is no means of detecting when the default router has gone down or is unavailable.

#### Procedure

	Command or Action	Purpose
<b>Step 1</b>	<b>enable</b> <b>Example:</b> Device> enable	Enables privileged EXEC mode. Enter your password if prompted.
<b>Step 2</b>	<b>configure terminal</b> <b>Example:</b>	Enters the global configuration mode.

	Command or Action	Purpose
	Device# <code>configure terminal</code>	
<b>Step 3</b>	<b>ip default-gateway</b> <i>ip-address</i> <b>Example:</b> Device(config)# <code>ip default gateway 10.1.5.1</code>	Sets up a default gateway (router).
<b>Step 4</b>	<b>end</b> <b>Example:</b> Device(config)# <code>end</code>	Returns to privileged EXEC mode.
<b>Step 5</b>	<b>show ip redirects</b> <b>Example:</b> Device# <code>show ip redirects</code>	Displays the address of the default gateway router to verify the setting.
<b>Step 6</b>	<b>copy running-config startup-config</b> <b>Example:</b> Device# <code>copy running-config startup-config</code>	(Optional) Saves your entries in the configuration file.

## ICMP Router Discovery Protocol (IRDP)

The only required task for IRDP routing on an interface is to enable IRDP processing on that interface. When enabled, the default parameters apply.

You can optionally change any of these parameters. If you change the **maxadvertinterval** value, the **holdtime** and **minadvertinterval** values also change, so it is important to first change the **maxadvertinterval** value, before manually changing either the **holdtime** or **minadvertinterval** values.

### Procedure

	Command or Action	Purpose
<b>Step 1</b>	<b>enable</b> <b>Example:</b> Device> <code>enable</code>	Enables privileged EXEC mode. Enter your password if prompted.
<b>Step 2</b>	<b>configure terminal</b> <b>Example:</b> Device# <code>configure terminal</code>	Enters the global configuration mode.

	Command or Action	Purpose
Step 3	<b>interface</b> <i>interface-id</i> <b>Example:</b> Device(config)# interface gigabitethernet 1/0/1	Enters interface configuration mode, and specifies the Layer 3 interface to configure.
Step 4	<b>ip irdp</b> <b>Example:</b> Device(config-if)# ip irdp	Enables IRDP processing on the interface.
Step 5	<b>ip irdp multicast</b> <b>Example:</b> Device(config-if)# ip irdp multicast	(Optional) Sends IRDP advertisements to the multicast address (224.0.0.1) instead of IP broadcasts.  <b>Note</b> This command allows for compatibility with Sun Microsystems Solaris, which requires IRDP packets to be sent out as multicasts. Many implementations cannot receive these multicasts; ensure end-host ability before using this command.
Step 6	<b>ip irdp holdtime</b> <i>seconds</i> <b>Example:</b> Device(config-if)# ip irdp holdtime 1000	(Optional) Sets the IRDP period for which advertisements are valid. The default is three times the <b>maxadvertinterval</b> value. It must be greater than <b>maxadvertinterval</b> and cannot be greater than 9000 seconds. If you change the <b>maxadvertinterval</b> value, this value also changes.
Step 7	<b>ip irdp maxadvertinterval</b> <i>seconds</i> <b>Example:</b> Device(config-if)# ip irdp maxadvertinterval 650	(Optional) Sets the IRDP maximum interval between advertisements. The default is 600 seconds.
Step 8	<b>ip irdp minadvertinterval</b> <i>seconds</i> <b>Example:</b> Device(config-if)# ip irdp minadvertinterval 500	(Optional) Sets the IRDP minimum interval between advertisements. The default is 0.75 times the <b>maxadvertinterval</b> . If you change the <b>maxadvertinterval</b> , this value changes to the new default (0.75 of <b>maxadvertinterval</b> ).
Step 9	<b>ip irdp preference</b> <i>number</i> <b>Example:</b> Device(config-if)# ip irdp preference 2	(Optional) Sets a device IRDP preference level. The allowed range is -231 to 231. The default is 0. A higher value increases the router preference level.
Step 10	<b>ip irdp address</b> <i>address [number]</i> <b>Example:</b> Device(config-if)# ip irdp address 10.1.10.10	(Optional) Specifies an IRDP address and preference to proxy-advertise.

	Command or Action	Purpose
<b>Step 11</b>	<b>end</b> <b>Example:</b>  Device(config)# <b>end</b>	Returns to privileged EXEC mode.
<b>Step 12</b>	<b>show ip irdp</b> <b>Example:</b>  Device# show ip irdp	Verifies settings by displaying IRDP values.
<b>Step 13</b>	<b>copy running-config startup-config</b> <b>Example:</b>  Device# <b>copy running-config startup-config</b>	(Optional) Saves your entries in the configuration file.

## Configuring Broadcast Packet Handling

Perform the tasks in these sections to enable these schemes:

- Enabling Directed Broadcast-to-Physical Broadcast Translation
- Forwarding UDP Broadcast Packets and Protocols
- Establishing an IP Broadcast Address
- Flooding IP Broadcasts

### Enabling Directed Broadcast-to-Physical Broadcast Translation

By default, IP directed broadcasts are dropped; they are not forwarded. Dropping IP-directed broadcasts makes routers less susceptible to denial-of-service attacks.

You can enable forwarding of IP-directed broadcasts on an interface where the broadcast becomes a physical (MAC-layer) broadcast. Only those protocols configured by using the **ip forward-protocol** global configuration command are forwarded.

You can specify an access list to control which broadcasts are forwarded. When an access list is specified, only those IP packets permitted by the access list are eligible to be translated from directed broadcasts to physical broadcasts. For more information on access lists, see the “Information about Network Security with ACLs” section in the Security Configuration Guide.

#### Procedure

	Command or Action	Purpose
<b>Step 1</b>	<b>enable</b> <b>Example:</b>	Enables privileged EXEC mode. Enter your password if prompted.

	Command or Action	Purpose
	Device> <b>enable</b>	
<b>Step 2</b>	<b>configure terminal</b> <b>Example:</b> Device# <b>configure terminal</b>	Enters the global configuration mode.
<b>Step 3</b>	<b>interface <i>interface-id</i></b> <b>Example:</b> Device(config)# <b>interface gigabitethernet 1/0/2</b>	Enters interface configuration mode, and specifies the interface to configure.
<b>Step 4</b>	<b>ip directed-broadcast [<i>access-list-number</i>]</b> <b>Example:</b> Device(config-if)# <b>ip directed-broadcast 103</b>	Enables directed broadcast-to-physical broadcast translation on the interface. You can include an access list to control which broadcasts are forwarded. When an access list, only IP packets permitted by the access list can be translated.
<b>Step 5</b>	<b>exit</b> <b>Example:</b> Device(config-if)# <b>exit</b>	Returns to global configuration mode.
<b>Step 6</b>	<b>ip forward-protocol {udp [<i>port</i>]   nd   sdns}</b> <b>Example:</b> Device(config)# <b>ip forward-protocol nd</b>	Specifies which protocols and ports the router forwards when forwarding broadcast packets. <ul style="list-style-type: none"> <li>• <b>udp</b>—Forward UPD datagrams. port: (Optional) Destination port that controls which UDP services are forwarded.</li> <li>• <b>nd</b>—Forward ND datagrams.</li> <li>• <b>sdns</b>—Forward SDNS datagrams</li> </ul>
<b>Step 7</b>	<b>end</b> <b>Example:</b> Device(config)# <b>end</b>	Returns to privileged EXEC mode.
<b>Step 8</b>	<b>show ip interface [<i>interface-id</i>]</b> <b>Example:</b> Device# <b>show ip interface</b>	Verifies the configuration on the interface or all interfaces
<b>Step 9</b>	<b>show running-config</b> <b>Example:</b>	Verifies your entries.

	Command or Action	Purpose
	Device# <code>show running-config</code>	
<b>Step 10</b>	<b>copy running-config startup-config</b> <b>Example:</b> Device# <code>copy running-config startup-config</code>	(Optional) Saves your entries in the configuration file.

## Forwarding UDP Broadcast Packets and Protocols

If you do not specify any UDP ports when you configure the forwarding of UDP broadcasts, you are configuring the router to act as a BOOTP forwarding agent. BOOTP packets carry DHCP information.

### Procedure

	Command or Action	Purpose
<b>Step 1</b>	<b>enable</b> <b>Example:</b> Device> <code>enable</code>	Enables privileged EXEC mode. Enter your password if prompted.
<b>Step 2</b>	<b>configure terminal</b> <b>Example:</b> Device# <code>configure terminal</code>	Enters the global configuration mode.
<b>Step 3</b>	<b>interface <i>interface-id</i></b> <b>Example:</b> Device(config)# <code>interface gigabitethernet 1/0/1</code>	Enters interface configuration mode, and specifies the Layer 3 interface to configure.
<b>Step 4</b>	<b>ip helper-address <i>address</i></b> <b>Example:</b> Device(config-if)# <code>ip helper address 10.1.10.1</code>	Enables forwarding and specifies the destination address for forwarding UDP broadcast packets, including BOOTP.
<b>Step 5</b>	<b>exit</b> <b>Example:</b> Device(config-if)# <code>exit</code>	Returns to global configuration mode.
<b>Step 6</b>	<b>ip forward-protocol {udp [<i>port</i>]   nd   sdns}</b> <b>Example:</b>	Specifies which protocols the router forwards when forwarding broadcast packets.



	Command or Action	Purpose
	<code>Device(config)# ip forward-protocol sdns</code>	
<b>Step 7</b>	<b>end</b> <b>Example:</b> <code>Device(config)# end</code>	Returns to privileged EXEC mode.
<b>Step 8</b>	<b>show ip interface</b> [ <i>interface-id</i> ] <b>Example:</b> <code>Device# show ip interface gigabitethernet 1/0/1</code>	Verifies the configuration on the interface or all interfaces.
<b>Step 9</b>	<b>show running-config</b> <b>Example:</b> <code>Device# show running-config</code>	Verifies your entries.
<b>Step 10</b>	<b>copy running-config startup-config</b> <b>Example:</b> <code>Device# copy running-config startup-config</code>	(Optional) Saves your entries in the configuration file.

## Establishing an IP Broadcast Address

The most popular IP broadcast address (and the default) is an address consisting of all ones (255.255.255.255). However, the Device can be configured to generate any form of IP broadcast address.

### Procedure

	Command or Action	Purpose
<b>Step 1</b>	<b>enable</b> <b>Example:</b> <code>Device&gt; enable</code>	Enables privileged EXEC mode. Enter your password if prompted.
<b>Step 2</b>	<b>configure terminal</b> <b>Example:</b> <code>Device# configure terminal</code>	Enters the global configuration mode.
<b>Step 3</b>	<b>interface</b> <i>interface-id</i> <b>Example:</b>	Enters interface configuration mode, and specifies the interface to configure.

	Command or Action	Purpose
	Device(config)# interface gigabitethernet 1/0/1	
<b>Step 4</b>	<b>ip broadcast-address</b> <i>ip-address</i> <b>Example:</b>  Device(config-if)# ip broadcast-address 128.1.255.255	Enters a broadcast address different from the default, for example 128.1.255.255.
<b>Step 5</b>	<b>end</b> <b>Example:</b>  Device(config)# <b>end</b>	Returns to privileged EXEC mode.
<b>Step 6</b>	<b>show ip interface</b> [ <i>interface-id</i> ] <b>Example:</b>  Device# show ip interface	Verifies the broadcast address on the interface or all interfaces.
<b>Step 7</b>	<b>copy running-config startup-config</b> <b>Example:</b>  Device# <b>copy running-config startup-config</b>	(Optional) Saves your entries in the configuration file.

## Flooding IP Broadcasts

### Procedure

	Command or Action	Purpose
<b>Step 1</b>	<b>enable</b> <b>Example:</b>  Device> <b>enable</b>	Enables privileged EXEC mode. Enter your password if prompted.
<b>Step 2</b>	<b>configure terminal</b> <b>Example:</b>  Device# <b>configure terminal</b>	Enters the global configuration mode.
<b>Step 3</b>	<b>ip forward-protocol spanning-tree</b> <b>Example:</b>  Device(config)# ip forward-protocol spanning-tree	Uses the bridging spanning-tree database to flood UDP datagrams.

	Command or Action	Purpose
Step 4	<b>end</b> <b>Example:</b> Device(config)# <b>end</b>	Returns to privileged EXEC mode.
Step 5	<b>show running-config</b> <b>Example:</b> Device# <b>show running-config</b>	Verifies your entries.
Step 6	<b>copy running-config startup-config</b> <b>Example:</b> Device# <b>copy running-config startup-config</b>	(Optional) Saves your entries in the configuration file.
Step 7	<b>configure terminal</b> <b>Example:</b> Device# <b>configure terminal</b>	Enters the global configuration mode.
Step 8	<b>ip forward-protocol turbo-flood</b> <b>Example:</b> Device(config)# <b>ip forward-protocol turbo-flood</b>	Uses the spanning-tree database to speed up flooding of UDP datagrams.
Step 9	<b>end</b> <b>Example:</b> Device(config)# <b>end</b>	Returns to privileged EXEC mode.
Step 10	<b>show running-config</b> <b>Example:</b> Device# <b>show running-config</b>	Verifies your entries.
Step 11	<b>copy running-config startup-config</b> <b>Example:</b> Device# <b>copy running-config startup-config</b>	(Optional) Saves your entries in the configuration file.

# Monitoring and Maintaining IP Addressing

When the contents of a particular cache, table, or database have become or are suspected to be invalid, you can remove all its contents by using the **clear** privileged EXEC commands. The Table lists the commands for clearing contents.

**Table 2: Commands to Clear Caches, Tables, and Databases**

<b>clear arp-cache</b>	Clears the IP ARP cache and the fast-switching cache.
<b>clear host</b> { <i>name</i>   *}	Removes one or all entries from the hostname and the address cache.
<b>clear ip route</b> { <i>network</i> [ <i>mask</i> ]   *}	Removes one or more routes from the IP routing table.

You can display specific statistics, such as the contents of IP routing tables, caches, and databases; the reachability of nodes; and the routing path that packets are taking through the network. The Table lists the privileged EXEC commands for displaying IP statistics.

**Table 3: Commands to Display Caches, Tables, and Databases**

<b>show arp</b>	Displays the entries in the ARP table.
<b>show hosts</b>	Displays the default domain name, style of lookup service, name server hosts, and the cached list of hostnames and addresses.
<b>show ip aliases</b>	Displays IP addresses mapped to TCP ports (aliases).
<b>show ip arp</b>	Displays the IP ARP cache.
<b>show ip interface</b> [ <i>interface-id</i> ]	Displays the IP status of interfaces.
<b>show ip irdp</b>	Displays IRDP values.
<b>show ip masks</b> <i>address</i>	Displays the masks used for network addresses and the number of subnets using each mask.
<b>show ip redirects</b>	Displays the address of a default gateway.
<b>show ip route</b> [ <i>address</i> [ <i>mask</i> ]]   [ <i>protocol</i> ]	Displays the current state of the routing table.
<b>show ip route summary</b>	Displays the current state of the routing table in summary form.

# How to Configure IP Unicast Routing

## Enabling IP Unicast Routing

By default, the Device is in Layer 2 switching mode and IP routing is disabled. To use the Layer 3 capabilities of the Device, you must enable IP routing.

### Procedure

	Command or Action	Purpose
<b>Step 1</b>	<b>enable</b> <b>Example:</b> Device> <b>enable</b>	Enables privileged EXEC mode. Enter your password if prompted.
<b>Step 2</b>	<b>configure terminal</b> <b>Example:</b> Device# <b>configure terminal</b>	Enters the global configuration mode.
<b>Step 3</b>	<b>ip routing</b> <b>Example:</b> Device(config)# <b>ip routing</b>	Enables IP routing.
<b>Step 4</b>	<b>end</b> <b>Example:</b> Device(config)# <b>end</b>	Returns to privileged EXEC mode.
<b>Step 5</b>	<b>show running-config</b> <b>Example:</b> Device# <b>show running-config</b>	Verifies your entries.
<b>Step 6</b>	<b>copy running-config startup-config</b> <b>Example:</b> Device# <b>copy running-config startup-config</b>	(Optional) Saves your entries in the configuration file.

## Example of Enabling IP Routing

This example shows how to enable IP routing using RIP as the routing protocol :

```
Device# configure terminal
Enter configuration commands, one per line.  End with CNTL/Z.
Device(config)# ip routing
Device(config)# router rip
Device(config-router)# network 10.0.0.0
Device(config-router)# end
```

## What to Do Next

You can now set up parameters for the selected routing protocols as described in these sections:

- RIP
- OSPF,
- EIGRP
- BGP
- Unicast Reverse Path Forwarding
- Protocol-Independent Features (optional)

## Information About RIP

The Routing Information Protocol (RIP) is an interior gateway protocol (IGP) created for use in small, homogeneous networks. It is a distance-vector routing protocol that uses broadcast User Datagram Protocol (UDP) data packets to exchange routing information. The protocol is documented in RFC 1058. You can find detailed information about RIP in *IP Routing Fundamentals*, published by Cisco Press.



---

**Note** RIP is supported in the IP Base .

---

Using RIP, the Device sends routing information updates (advertisements) every 30 seconds. If a router does not receive an update from another router for 180 seconds or more, it marks the routes served by that router as unusable. If there is still no update after 240 seconds, the router removes all routing table entries for the non-updating router.

RIP uses hop counts to rate the value of different routes. The hop count is the number of routers that can be traversed in a route. A directly connected network has a hop count of zero; a network with a hop count of 16 is unreachable. This small range (0 to 15) makes RIP unsuitable for large networks.

If the router has a default network path, RIP advertises a route that links the router to the pseudonetwork 0.0.0.0. The 0.0.0.0 network does not exist; it is treated by RIP as a network to implement the default routing feature. The Device advertises the default network if a default was learned by RIP or if the router has a gateway of last resort and RIP is configured with a default metric. RIP sends updates to the interfaces in specified networks. If an interface's network is not specified, it is not advertised in any RIP update.

## Summary Addresses and Split Horizon

Routers connected to broadcast-type IP networks and using distance-vector routing protocols normally use the split-horizon mechanism to reduce the possibility of routing loops. Split horizon blocks information about routes from being advertised by a router on any interface from which that information originated. This feature usually optimizes communication among multiple routers, especially when links are broken.

## How to Configure RIP

### Default RIP Configuration

*Table 4: Default RIP Configuration*

Feature	Default Setting
Auto summary	Enabled.
Default-information originate	Disabled.
Default metric	Built-in; automatic metric translations.
IP RIP authentication key-chain	No authentication. Authentication mode: clear text.
IP RIP triggered	Disabled
IP split horizon	Varies with media.
Neighbor	None defined.
Network	None specified.
Offset list	Disabled.
Output delay	0 milliseconds.
Timers basic	<ul style="list-style-type: none"> <li>• Update: 30 seconds.</li> <li>• Invalid: 180 seconds.</li> <li>• Hold-down: 180 seconds.</li> <li>• Flush: 240 seconds.</li> </ul>
Validate-update-source	Enabled.
Version	Receives RIP Version 1 and 2 packets; sends Version 1 packets.

## Configuring Basic RIP Parameters

To configure RIP, you enable RIP routing for a network and optionally configure other parameters. On the Device, RIP configuration commands are ignored until you configure the network number.

### Procedure

	Command or Action	Purpose
<b>Step 1</b>	<b>enable</b> <b>Example:</b> Device> <b>enable</b>	Enables privileged EXEC mode. Enter your password if prompted.
<b>Step 2</b>	<b>configure terminal</b> <b>Example:</b> Device# <b>configure terminal</b>	Enters the global configuration mode.
<b>Step 3</b>	<b>ip routing</b> <b>Example:</b> Device(config)# <b>ip routing</b>	Enables IP routing. (Required only if IP routing is disabled.)
<b>Step 4</b>	<b>router rip</b> <b>Example:</b> Device(config)# <b>router rip</b>	Enables a RIP routing process, and enter router configuration mode.
<b>Step 5</b>	<b>network <i>network number</i></b> <b>Example:</b> Device(config)# <b>network 12</b>	Associates a network with a RIP routing process. You can specify multiple <b>network</b> commands. RIP routing updates are sent and received through interfaces only on these networks.  <b>Note</b> You must configure a network number for the RIP commands to take effect.
<b>Step 6</b>	<b>neighbor <i>ip-address</i></b> <b>Example:</b> Device(config)# <b>neighbor 10.2.5.1</b>	(Optional) Defines a neighboring router with which to exchange routing information. This step allows routing updates from RIP (normally a broadcast protocol) to reach nonbroadcast networks.
<b>Step 7</b>	<b>offset-list [<i>access-list number</i>   <i>name</i>] {<b>in</b>   <b>out</b>} <i>offset</i> [<i>type number</i>]</b> <b>Example:</b> Device(config)# <b>offset-list 103 in 10</b>	(Optional) Applies an offset list to routing metrics to increase incoming and outgoing metrics to routes learned through RIP. You can limit the offset list with an access list or an interface.



	Command or Action	Purpose
Step 8	<p><b>timers basic</b> <i>update invalid holddown flush</i></p> <p><b>Example:</b></p> <pre>Device(config)# timers basic 45 360 400 300</pre>	<p>(Optional) Adjusts routing protocol timers. Valid ranges for all timers are 0 to 4294967295 seconds.</p> <ul style="list-style-type: none"> <li>• <i>update</i>—The time between sending routing updates. The default is 30 seconds.</li> <li>• <i>invalid</i>—The timer after which a route is declared invalid. The default is 180 seconds.</li> <li>• <i>holddown</i>—The time before a route is removed from the routing table. The default is 180 seconds.</li> <li>• <i>flush</i>—The amount of time for which routing updates are postponed. The default is 240 seconds.</li> </ul>
Step 9	<p><b>version</b> {1   2}</p> <p><b>Example:</b></p> <pre>Device(config)# version 2</pre>	<p>(Optional) Configures the switch to receive and send only RIP Version 1 or RIP Version 2 packets. By default, the switch receives Version 1 and 2 but sends only Version 1. You can also use the interface commands <b>ip rip {send   receive} version 1   2   1 2</b> to control what versions are used for sending and receiving on interfaces.</p>
Step 10	<p><b>no auto summary</b></p> <p><b>Example:</b></p> <pre>Device(config)# no auto summary</pre>	<p>(Optional) Disables automatic summarization. By default, the switch summarizes subprefixes when crossing classful network boundaries. Disable summarization (RIP Version 2 only) to advertise subnet and host routing information to classful network boundaries.</p>
Step 11	<p><b>no validate-update-source</b></p> <p><b>Example:</b></p> <pre>Device(config)# no validate-update-source</pre>	<p>(Optional) Disables validation of the source IP address of incoming RIP routing updates. By default, the switch validates the source IP address of incoming RIP routing updates and discards the update if the source address is not valid. Under normal circumstances, disabling this feature is not recommended. However, if you have a router that is off-network and you want to receive its updates, you can use this command.</p>
Step 12	<p><b>output-delay</b> <i>delay</i></p> <p><b>Example:</b></p> <pre>Device(config)# output-delay 8</pre>	<p>(Optional) Adds interpacket delay for RIP updates sent. By default, packets in a multiple-packet RIP update have no delay added between packets. If you are sending packets to a lower-speed device, you can add an interpacket delay in the range of 8 to 50 milliseconds.</p>
Step 13	<p><b>end</b></p> <p><b>Example:</b></p> <pre>Device(config)# end</pre>	<p>Returns to privileged EXEC mode.</p>
Step 14	<p><b>show ip protocols</b></p> <p><b>Example:</b></p>	<p>Verifies your entries.</p>

	Command or Action	Purpose
	Device# <code>show ip protocols</code>	
<b>Step 15</b>	<b>copy running-config startup-config</b> <b>Example:</b> Device# <code>copy running-config startup-config</code>	(Optional) Saves your entries in the configuration file.

## Configuring RIP Authentication

RIP Version 1 does not support authentication. If you are sending and receiving RIP Version 2 packets, you can enable RIP authentication on an interface. The key chain specifies the set of keys that can be used on the interface. If a key chain is not configured, no authentication is performed, not even the default.

The Device supports two modes of authentication on interfaces for which RIP authentication is enabled: plain text and MD5. The default is plain text.

### Procedure

	Command or Action	Purpose
<b>Step 1</b>	<b>enable</b> <b>Example:</b> Device> <code>enable</code>	Enables privileged EXEC mode. Enter your password if prompted.
<b>Step 2</b>	<b>configure terminal</b> <b>Example:</b> Device# <code>configure terminal</code>	Enters the global configuration mode.
<b>Step 3</b>	<b>interface <i>interface-id</i></b> <b>Example:</b> Device(config)# <code>interface gigabitethernet 1/0/1</code>	Enters interface configuration mode, and specifies the interface to configure.
<b>Step 4</b>	<b>ip rip authentication key-chain <i>name-of-chain</i></b> <b>Example:</b> Device(config-if)# <code>ip rip authentication key-chain trees</code>	Enables RIP authentication.
<b>Step 5</b>	<b>ip rip authentication mode {text   md5}</b> <b>Example:</b> Device(config-if)# <code>ip rip authentication mode md5</code>	Configures the interface to use plain text authentication (the default) or MD5 digest authentication.

	Command or Action	Purpose
Step 6	<b>end</b> <b>Example:</b> Device(config)# <b>end</b>	Returns to privileged EXEC mode.
Step 7	<b>show running-config</b> <b>Example:</b> Device# <b>show running-config</b>	Verifies your entries.
Step 8	<b>copy running-config startup-config</b> <b>Example:</b> Device# <b>copy running-config startup-config</b>	(Optional) Saves your entries in the configuration file.

## Configuring Summary Addresses and Split Horizon



**Note** In general, disabling split horizon is not recommended unless you are certain that your application requires it to properly advertise routes.

If you want to configure an interface running RIP to advertise a summarized local IP address pool on a network access server for dial-up clients, use the **ip summary-address rip** interface configuration command.



**Note** If split horizon is enabled, neither autosummary nor interface IP summary addresses are advertised.

### Procedure

	Command or Action	Purpose
Step 1	<b>enable</b> <b>Example:</b> Device> <b>enable</b>	Enables privileged EXEC mode. Enter your password if prompted.
Step 2	<b>configure terminal</b> <b>Example:</b> Device# <b>configure terminal</b>	Enters the global configuration mode.

	Command or Action	Purpose
<b>Step 3</b>	<b>interface</b> <i>interface-id</i> <b>Example:</b>  Device(config)# <b>interface</b> gigabitethernet 1/0/1	Enters interface configuration mode, and specifies the Layer 3 interface to configure.
<b>Step 4</b>	<b>ip address</b> <i>ip-address subnet-mask</i> <b>Example:</b>  Device(config-if)# <b>ip address</b> 10.1.1.10 255.255.255.0	Configures the IP address and IP subnet.
<b>Step 5</b>	<b>ip summary-address rip ip address</b> <i>ip-network mask</i> <b>Example:</b>  Device(config-if)# <b>ip summary-address rip ip address</b> 10.1.1.30 255.255.255.0	Configures the IP address to be summarized and the IP network mask.
<b>Step 6</b>	<b>no ip split horizon</b> <b>Example:</b>  Device(config-if)# <b>no ip split horizon</b>	Disables split horizon on the interface.
<b>Step 7</b>	<b>end</b> <b>Example:</b>  Device(config)# <b>end</b>	Returns to privileged EXEC mode.
<b>Step 8</b>	<b>show ip interface</b> <i>interface-id</i> <b>Example:</b>  Device# <b>show ip interface</b> gigabitethernet 1/0/1	Verifies your entries.
<b>Step 9</b>	<b>copy running-config startup-config</b> <b>Example:</b>  Device# <b>copy running-config startup-config</b>	(Optional) Saves your entries in the configuration file.

## Configuring Split Horizon

Routers connected to broadcast-type IP networks and using distance-vector routing protocols normally use the split-horizon mechanism to reduce the possibility of routing loops. Split horizon blocks information about routes from being advertised by a router on any interface from which that information originated. This feature can optimize communication among multiple routers, especially when links are broken.



**Note** In general, we do not recommend disabling split horizon unless you are certain that your application requires it to properly advertise routes.

### Procedure

	Command or Action	Purpose
<b>Step 1</b>	<b>enable</b> <b>Example:</b> Device> <b>enable</b>	Enables privileged EXEC mode. Enter your password if prompted.
<b>Step 2</b>	<b>configure terminal</b> <b>Example:</b> Device# <b>configure terminal</b>	Enters the global configuration mode.
<b>Step 3</b>	<b>interface <i>interface-id</i></b> <b>Example:</b> Device(config)# <b>interface gigabitethernet 1/0/1</b>	Enters interface configuration mode, and specifies the interface to configure.
<b>Step 4</b>	<b>ip address <i>ip-address subnet-mask</i></b> <b>Example:</b> Device(config-if)# <b>ip address 10.1.1.10 255.255.255.0</b>	Configures the IP address and IP subnet.
<b>Step 5</b>	<b>no ip split-horizon</b> <b>Example:</b> Device(config-if)# <b>no ip split-horizon</b>	Disables split horizon on the interface.
<b>Step 6</b>	<b>end</b> <b>Example:</b> Device(config)# <b>end</b>	Returns to privileged EXEC mode.
<b>Step 7</b>	<b>show ip interface <i>interface-id</i></b> <b>Example:</b> Device# <b>show ip interface gigabitethernet 1/0/1</b>	Verifies your entries.

	Command or Action	Purpose
<b>Step 8</b>	<b>copy running-config startup-config</b> <b>Example:</b> Device# <code>copy running-config startup-config</code>	(Optional) Saves your entries in the configuration file.

## Configuration Example for Summary Addresses and Split Horizon

In this example, the major net is 10.0.0.0. The summary address 10.2.0.0 overrides the autosummary address of 10.0.0.0 so that 10.2.0.0 is advertised out interface Gigabit Ethernet port 2, and 10.0.0.0 is not advertised. In the example, if the interface is still in Layer 2 mode (the default), you must enter a **no switchport** interface configuration command before entering the **ip address** interface configuration command.



**Note** If split horizon is enabled, neither autosummary nor interface summary addresses (those configured with the **ip summary-address rip** router configuration command) are advertised.

```
Device(config)# router rip
Device(config-router)# interface gigabitethernet1/0/2
Device(config-if)# ip address 10.1.5.1 255.255.255.0
Device(config-if)# ip summary-address rip 10.2.0.0 255.255.0.0
Device(config-if)# no ip split-horizon
Device(config-if)# exit
Device(config)# router rip
Device(config-router)# network 10.0.0.0
Device(config-router)# neighbor 2.2.2.2 peer-group mygroup
Device(config-router)# end
```

## Information About OSPF

OSPF is an Interior Gateway Protocol (IGP) designed expressly for IP networks, supporting IP subnetting and tagging of externally derived routing information. OSPF also allows packet authentication and uses IP multicast when sending and receiving packets. The Cisco implementation supports RFC 1253, OSPF management information base (MIB).



**Note** OSPF is supported in IP Base.

The Cisco implementation conforms to the OSPF Version 2 specifications with these key features:

- Definition of stub areas is supported.
- Routes learned through any IP routing protocol can be redistributed into another IP routing protocol. At the intradomain level, this means that OSPF can import routes learned through EIGRP and RIP. OSPF routes can also be exported into RIP.

- Plain text and MD5 authentication among neighboring routers within an area is supported.
- Configurable routing interface parameters include interface output cost, retransmission interval, interface transmit delay, router priority, router dead and hello intervals, and authentication key.
- Virtual links are supported.
- Not-so-stubby-areas (NSSAs) per RFC 1587 are supported.

OSPF typically requires coordination among many internal routers, area border routers (ABRs) connected to multiple areas, and autonomous system boundary routers (ASBRs). The minimum configuration would use all default parameter values, no authentication, and interfaces assigned to areas. If you customize your environment, you must ensure coordinated configuration of all routers.

## OSPF Nonstop Forwarding

The Device or switch stack supports two levels of nonstop forwarding (NSF):

- [OSPF NSF Awareness, on page 39](#)
- [OSPF NSF Capability, on page 39](#)

### OSPF NSF Awareness

The IP-services feature set supports OSPF NSF Awareness supported for IPv4. When the neighboring router is NSF-capable, the Layer 3 Device continues to forward packets from the neighboring router during the interval between the primary Route Processor (RP) in a router crashing and the backup RP taking over, or while the primary RP is manually reloaded for a non-disruptive software upgrade.

This feature cannot be disabled.

### OSPF NSF Capability

The IP services feature set supports the OSPFv2 NSF IETF format in addition to the OSPFv2 NSF Cisco format that is supported in earlier releases. For information about this feature, see : *NSF—OSPF (RFC 3623 OSPF Graceful Restart)*.

The IP-services feature set also supports OSPF NSF-capable routing for IPv4 for better convergence and lower traffic loss following a stack master change. When a stack master change occurs in an OSPF NSF-capable stack, the new stack master must do two things to resynchronize its link-state database with its OSPF neighbors:

- Release the available OSPF neighbors on the network without resetting the neighbor relationship.
- Reacquire the contents of the link-state database for the network.

After a stack master change, the new master sends an OSPF NSF signal to neighboring NSF-aware devices. A device recognizes this signal to mean that it should not reset the neighbor relationship with the stack. As the NSF-capable stack master receives signals from other routes on the network, it begins to rebuild its neighbor list.

When the neighbor relationships are reestablished, the NSF-capable stack master resynchronizes its database with its NSF-aware neighbors, and routing information is exchanged between the OSPF neighbors. The new stack master uses this routing information to remove stale routes, to update the routing information database (RIB), and to update the forwarding information base (FIB) with the new information. The OSPF protocols then fully converge.



**Note** OSPF NSF requires that all neighbor networking devices be NSF-aware. If an NSF-capable router discovers non-NSF aware neighbors on a network segment, it disables NSF capabilities for that segment. Other network segments where all devices are NSF-aware or NSF-capable continue to provide NSF capabilities.

Use the **nsf** OSPF routing configuration command to enable OSPF NSF routing. Use the **show ip ospf** privileged EXEC command to verify that it is enabled.

For more information, see *Cisco Nonstop Forwarding*:

[http://www.cisco.com/en/US/docs/ios/ha/configuration/guide/ha-nonstp\\_fwdg.html](http://www.cisco.com/en/US/docs/ios/ha/configuration/guide/ha-nonstp_fwdg.html)

## OSPF Area Parameters

You can optionally configure several OSPF area parameters. These parameters include authentication for password-based protection against unauthorized access to an area, stub areas, and not-so-stubby-areas (NSSAs). Stub areas are areas into which information on external routes is not sent. Instead, the area border router (ABR) generates a default external route into the stub area for destinations outside the autonomous system (AS). An NSSA does not flood all LSAs from the core into the area, but can import AS external routes within the area by redistribution.

Route summarization is the consolidation of advertised addresses into a single summary route to be advertised by other areas. If network numbers are contiguous, you can use the **area range** router configuration command to configure the ABR to advertise a summary route that covers all networks in the range.

## Other OSPF Parameters

You can optionally configure other OSPF parameters in router configuration mode.

- **Route summarization:** When redistributing routes from other protocols. Each route is advertised individually in an external LSA. To help decrease the size of the OSPF link state database, you can use the **summary-address** router configuration command to advertise a single router for all the redistributed routes included in a specified network address and mask.
- **Virtual links:** In OSPF, all areas must be connected to a backbone area. You can establish a virtual link in case of a backbone-continuity break by configuring two Area Border Routers as endpoints of a virtual link. Configuration information includes the identity of the other virtual endpoint (the other ABR) and the nonbackbone link that the two routers have in common (the transit area). Virtual links cannot be configured through a stub area.
- **Default route:** When you specifically configure redistribution of routes into an OSPF routing domain, the route automatically becomes an autonomous system boundary router (ASBR). You can force the ASBR to generate a default route into the OSPF routing domain.
- **Domain Name Server (DNS) names for use in all OSPF **show** privileged EXEC command displays** makes it easier to identify a router than displaying it by router ID or neighbor ID.
- **Default Metrics:** OSPF calculates the OSPF metric for an interface according to the bandwidth of the interface. The metric is calculated as *ref-bw* divided by bandwidth, where *ref* is 10 by default, and bandwidth (*bw*) is specified by the **bandwidth** interface configuration command. For multiple links with high bandwidth, you can specify a larger number to differentiate the cost on those links.



- Administrative distance is a rating of the trustworthiness of a routing information source, an integer between 0 and 255, with a higher value meaning a lower trust rating. An administrative distance of 255 means the routing information source cannot be trusted at all and should be ignored. OSPF uses three different administrative distances: routes within an area (interarea), routes to another area (interarea), and routes from another routing domain learned through redistribution (external). You can change any of the distance values.
- Passive interfaces: Because interfaces between two devices on an Ethernet represent only one network segment, to prevent OSPF from sending hello packets for the sending interface, you must configure the sending device to be a passive interface. Both devices can identify each other through the hello packet for the receiving interface.
- Route calculation timers: You can configure the delay time between when OSPF receives a topology change and when it starts the shortest path first (SPF) calculation and the hold time between two SPF calculations.
- Log neighbor changes: You can configure the router to send a syslog message when an OSPF neighbor state changes, providing a high-level view of changes in the router.

## LSA Group Pacing

The OSPF LSA group pacing feature allows the router to group OSPF LSAs and pace the refreshing, check-summing, and aging functions for more efficient router use. This feature is enabled by default with a 4-minute default pacing interval, and you will not usually need to modify this parameter. The optimum group pacing interval is inversely proportional to the number of LSAs the router is refreshing, check-summing, and aging. For example, if you have approximately 10,000 LSAs in the database, decreasing the pacing interval would benefit you. If you have a very small database (40 to 100 LSAs), increasing the pacing interval to 10 to 20 minutes might benefit you slightly.

## Loopback Interfaces

OSPF uses the highest IP address configured on the interfaces as its router ID. If this interface is down or removed, the OSPF process must recalculate a new router ID and resend all its routing information out its interfaces. If a loopback interface is configured with an IP address, OSPF uses this IP address as its router ID, even if other interfaces have higher IP addresses. Because loopback interfaces never fail, this provides greater stability. OSPF automatically prefers a loopback interface over other interfaces, and it chooses the highest IP address among all loopback interfaces.

# How to Configure OSPF

## Default OSPF Configuration

*Table 5: Default OSPF Configuration*

Feature	Default Setting
Interface parameters	Cost: 1. Retransmit interval: 5 seconds. Transmit delay: 1 second. Priority: 1. Hello interval: 10 seconds. Dead interval: 4 times the hello interval. No authentication. No password specified. MD5 authentication disabled.
Area	Authentication type: 0 (no authentication). Default cost: 1. Range: Disabled. Stub: No stub area defined. NSSA: No NSSA area defined.
Auto cost	100 Mb/s.
Default-information originate	Disabled. When enabled, the default metric setting is 10, and the external route type default is Type 2.
Default metric	Built-in, automatic metric translation, as appropriate for each routing protocol.
Distance OSPF	dist1 (all routes within an area): 110. dist2 (all routes from one area to another): 110. and dist3 (routes from other routing domains): 110.
OSPF database filter	Disabled. All outgoing link-state advertisements (LSAs) are flooded to the interface.
IP OSPF name lookup	Disabled.
Log adjacency changes	Enabled.
Neighbor	None specified.

Feature	Default Setting
Neighbor database filter	Disabled. All outgoing LSAs are flooded to the neighbor.
Network area	Disabled.
Nonstop Forwarding (NSF) awareness	Enabled. Allows Layer 3 switches to continue forwarding packets from a neighboring NSF-capable router during hardware or software changes.
NSF capability	Disabled. <b>Note</b> The switch stack supports OSPF NSF-capable routing for IPv4.
Router ID	No OSPF routing process defined.
Summary address	Disabled.
Timers LSA group pacing	240 seconds.
Timers shortest path first (spf)	spf delay: 5 seconds.; spf-holdtime: 10 seconds.
Virtual link	No area ID or router ID defined. Hello interval: 10 seconds. Retransmit interval: 5 seconds. Transmit delay: 1 second. Dead interval: 40 seconds. Authentication key: no key predefined. Message-digest key (MD5): no key predefined.

## Configuring Basic OSPF Parameters

To enable OSPF, create an OSPF routing process, specify the range of IP addresses to associate with the routing process, and assign area IDs to be associated with that range. For switches running the IP services image, you can configure either the Cisco OSPFv2 NSF format or the IETF OSPFv2 NSF format.

### Procedure

	Command or Action	Purpose
Step 1	<b>configure terminal</b> <b>Example:</b> Device# <code>configure terminal</code>	Enters the global configuration mode.

	Command or Action	Purpose
<b>Step 2</b>	<p><b>router ospf</b> process-id</p> <p><b>Example:</b></p> <pre>Device(config)# router ospf 15</pre>	<p>Enables OSPF routing, and enter router configuration mode. The process ID is an internally used identification parameter that is locally assigned and can be any positive integer. Each OSPF routing process has a unique value.</p> <p><b>Note</b> OSPF for Routed Access supports only one OSPFv2 and one OSPFv3 instance with a maximum number of 200 dynamically learned routes.</p>
<b>Step 3</b>	<p><b>nsf cisco</b> [enforce global]</p> <p><b>Example:</b></p> <pre>Device(config)# nsf cisco enforce global</pre>	<p>(Optional) Enables Cisco NSF operations for OSPF. The <b>enforce global</b> keyword cancels NSF restart when non-NSF-aware neighboring networking devices are detected.</p> <p><b>Note</b> Enter the command in Step 3 or Step 4, and go to Step 5.</p>
<b>Step 4</b>	<p><b>nsf ietf</b> [restart-interval <i>seconds</i>]</p> <p><b>Example:</b></p> <pre>Device(config)# nsf ietf restart-interval 60</pre>	<p>(Optional) Enables IETF NSF operations for OSPF. The <b>restart-interval</b> keyword specifies the length of the graceful restart interval, in seconds. The range is from 1 to 1800. The default is 120.</p> <p><b>Note</b> Enter the command in Step 3 or Step 4, and go to Step 5.</p>
<b>Step 5</b>	<p><b>network</b> address wildcard-mask area area-id</p> <p><b>Example:</b></p> <pre>Device(config)# network 10.1.1.1 255.240.0.0 area 20</pre>	<p>Define an interface on which OSPF runs and the area ID for that interface. You can use the wildcard-mask to use a single command to define one or more multiple interfaces to be associated with a specific OSPF area. The area ID can be a decimal value or an IP address.</p>
<b>Step 6</b>	<p><b>end</b></p> <p><b>Example:</b></p> <pre>Device(config)# end</pre>	<p>Returns to privileged EXEC mode.</p>
<b>Step 7</b>	<p><b>show ip protocols</b></p> <p><b>Example:</b></p> <pre>Device# show ip protocols</pre>	<p>Verifies your entries.</p>
<b>Step 8</b>	<p><b>copy running-config startup-config</b></p> <p><b>Example:</b></p> <pre>Device# copy running-config startup-config</pre>	<p>(Optional) Saves your entries in the configuration file.</p>

## Configuring OSPF Interfaces

You can use the **ip ospf** interface configuration commands to modify interface-specific OSPF parameters. You are not required to modify any of these parameters, but some interface parameters (hello interval, dead interval, and authentication key) must be consistent across all routers in an attached network. If you modify these parameters, be sure all routers in the network have compatible values.



**Note** The **ip ospf** interface configuration commands are all optional.

### Procedure

	Command or Action	Purpose
<b>Step 1</b>	<b>configure terminal</b> <b>Example:</b>  Device# <b>configure terminal</b>	Enters the global configuration mode.
<b>Step 2</b>	<b>interface interface-id</b> <b>Example:</b>  Device(config)# <b>interface gigabitethernet 1/0/1</b>	Enters interface configuration mode, and specifies the Layer 3 interface to configure.
<b>Step 3</b>	<b>ip ospf cost</b> <b>Example:</b>  Device(config-if)# <b>ip ospf 8</b>	(Optional) Explicitly specifies the cost of sending a packet on the interface.
<b>Step 4</b>	<b>ip ospf retransmit-interval seconds</b> <b>Example:</b>  Device(config-if)# <b>ip ospf transmit-interval 10</b>	(Optional) Specifies the number of seconds between link state advertisement transmissions. The range is 1 to 65535 seconds. The default is 5 seconds.
<b>Step 5</b>	<b>ip ospf transmit-delay seconds</b> <b>Example:</b>  Device(config-if)# <b>ip ospf transmit-delay 2</b>	(Optional) Sets the estimated number of seconds to wait before sending a link state update packet. The range is 1 to 65535 seconds. The default is 1 second.
<b>Step 6</b>	<b>ip ospf priority number</b> <b>Example:</b>  Device(config-if)# <b>ip ospf priority 5</b>	(Optional) Sets priority to help find the OSPF designated router for a network. The range is from 0 to 255. The default is 1.
<b>Step 7</b>	<b>ip ospf hello-interval seconds</b> <b>Example:</b>	(Optional) Sets the number of seconds between hello packets sent on an OSPF interface. The value must be the same for all nodes on a network. The range is 1 to 65535 seconds. The default is 10 seconds.

	Command or Action	Purpose
	<pre>Device(config-if)# ip ospf hello-interval 12</pre>	
<b>Step 8</b>	<p><b>ip ospf dead-interval</b> seconds</p> <p><b>Example:</b></p> <pre>Device(config-if)# ip ospf dead-interval 8</pre>	(Optional) Sets the number of seconds after the last device hello packet was seen before its neighbors declare the OSPF router to be down. The value must be the same for all nodes on a network. The range is 1 to 65535 seconds. The default is 4 times the hello interval.
<b>Step 9</b>	<p><b>ip ospf authentication-key</b> key</p> <p><b>Example:</b></p> <pre>Device(config-if)# ip ospf authentication-key password</pre>	(Optional) Assign a password to be used by neighboring OSPF routers. The password can be any string of keyboard-entered characters up to 8 bytes in length. All neighboring routers on the same network must have the same password to exchange OSPF information.
<b>Step 10</b>	<p><b>ip ospf message digest-key</b> keyid md5 key</p> <p><b>Example:</b></p> <pre>Device(config-if)# ip ospf message digest-key 16 md5 yourlpass</pre>	(Optional) Enables MDS authentication. <ul style="list-style-type: none"> <li>• <i>keyid</i>—An identifier from 1 to 255.</li> <li>• <i>key</i>—An alphanumeric password of up to 16 bytes.</li> </ul>
<b>Step 11</b>	<p><b>ip ospf database-filter all out</b></p> <p><b>Example:</b></p> <pre>Device(config-if)# ip ospf database-filter all out</pre>	(Optional) Block flooding of OSPF LSA packets to the interface. By default, OSPF floods new LSAs over all interfaces in the same area, except the interface on which the LSA arrives.
<b>Step 12</b>	<p><b>end</b></p> <p><b>Example:</b></p> <pre>Device(config)# end</pre>	Returns to privileged EXEC mode.
<b>Step 13</b>	<p><b>show ip ospf interface</b> [interface-name]</p> <p><b>Example:</b></p> <pre>Device# show ip ospf interface</pre>	Displays OSPF-related interface information.
<b>Step 14</b>	<p><b>show ip ospf neighbor detail</b></p> <p><b>Example:</b></p> <pre>Device# show ip ospf neighbor detail</pre>	Displays NSF awareness status of neighbor switch. The output matches one of these examples: <ul style="list-style-type: none"> <li>• <i>Options is 0x52</i> <i>LLS Options is 0x1 (LR)</i> When both of these lines appear, the neighbor switch is NSF aware.</li> <li>• <i>Options is 0x42</i>—This means the neighbor switch is not NSF aware.</li> </ul>

	Command or Action	Purpose
<b>Step 15</b>	<b>copy running-config startup-config</b> <b>Example:</b> Device# <code>copy running-config startup-config</code>	(Optional) Saves your entries in the configuration file.

## Configuring OSPF Area Parameters

### Before you begin



**Note** The OSPF **area** router configuration commands are all optional.

### Procedure

	Command or Action	Purpose
<b>Step 1</b>	<b>configure terminal</b> <b>Example:</b> Device# <code>configure terminal</code>	Enters the global configuration mode.
<b>Step 2</b>	<b>router ospf process-id</b> <b>Example:</b> Device(config)# <code>router ospf 109</code>	Enables OSPF routing, and enter router configuration mode.
<b>Step 3</b>	<b>area area-id authentication</b> <b>Example:</b> Device(config-router)# <code>area 1 authentication</code>	(Optional) Allow password-based protection against unauthorized access to the identified area. The identifier can be either a decimal value or an IP address.
<b>Step 4</b>	<b>area area-id authentication message-digest</b> <b>Example:</b> Device(config-router)# <code>area 1 authentication message-digest</code>	(Optional) Enables MD5 authentication on the area.
<b>Step 5</b>	<b>area area-id stub [no-summary]</b> <b>Example:</b> Device(config-router)# <code>area 1 stub</code>	(Optional) Define an area as a stub area. The <b>no-summary</b> keyword prevents an ABR from sending summary link advertisements into the stub area.

	Command or Action	Purpose
<b>Step 6</b>	<p><b>area</b> <i>area-id</i> <b>nssa</b> [<b>no-redistribution</b>] [<b>default-information-originate</b>] [<b>no-summary</b>]</p> <p><b>Example:</b></p> <pre>Device(config-router)# area 1 nssa default-information-originate</pre>	<p>(Optional) Defines an area as a not-so-stubby-area. Every router within the same area must agree that the area is NSSA. Select one of these keywords:</p> <ul style="list-style-type: none"> <li>• <b>no-redistribution</b>—Select when the router is an NSSA ABR and you want the <b>redistribute</b> command to import routes into normal areas, but not into the NSSA.</li> <li>• <b>default-information-originate</b>—Select on an ABR to allow importing type 7 LSAs into the NSSA.</li> <li>• <b>no-redistribution</b>—Select to not send summary LSAs into the NSSA.</li> </ul>
<b>Step 7</b>	<p><b>area</b> <i>area-id</i> <b>range</b> <i>address mask</i></p> <p><b>Example:</b></p> <pre>Device(config-router)# area 1 range 255.240.0.0</pre>	<p>(Optional) Specifies an address range for which a single route is advertised. Use this command only with area border routers.</p>
<b>Step 8</b>	<p><b>end</b></p> <p><b>Example:</b></p> <pre>Device(config)# end</pre>	<p>Returns to privileged EXEC mode.</p>
<b>Step 9</b>	<p><b>show ip ospf</b> [<i>process-id</i>]</p> <p><b>Example:</b></p> <pre>Device# show ip ospf</pre>	<p>Displays information about the OSPF routing process in general or for a specific process ID to verify configuration.</p>
<b>Step 10</b>	<p><b>show ip ospf</b> [<i>process-id</i> [<i>area-id</i>]] <b>database</b></p> <p><b>Example:</b></p> <pre>Device# show ip ospf database</pre>	<p>Displays lists of information related to the OSPF database for a specific router.</p>
<b>Step 11</b>	<p><b>copy running-config startup-config</b></p> <p><b>Example:</b></p> <pre>Device# copy running-config startup-config</pre>	<p>(Optional) Saves your entries in the configuration file.</p>



## Configuring Other OSPF Parameters

### Procedure

	Command or Action	Purpose
<b>Step 1</b>	<b>configure terminal</b> <b>Example:</b> Device# <b>configure terminal</b>	Enters the global configuration mode.
<b>Step 2</b>	<b>router ospf process-id</b> <b>Example:</b> Device(config)# <b>router ospf 10</b>	Enables OSPF routing, and enter router configuration mode.
<b>Step 3</b>	<b>summary-address address mask</b> <b>Example:</b> Device(config)# <b>summary-address 10.1.1.1 255.255.255.0</b>	(Optional) Specifies an address and IP subnet mask for redistributed routes so that only one summary route is advertised.
<b>Step 4</b>	<b>area area-id virtual-link router-id [hello-interval seconds] [retransmit-interval seconds] [trans] [[authentication-key key]   message-digest-key keyid md5 key]]</b> <b>Example:</b> Device(config)# <b>area 2 virtual-link 192.168.255.1 hello-interval 5</b>	(Optional) Establishes a virtual link and set its parameters.
<b>Step 5</b>	<b>default-information originate [always] [metric metric-value] [metric-type type-value] [route-map map-name]</b> <b>Example:</b> Device(config)# <b>default-information originate metric 100 metric-type 1</b>	(Optional) Forces the ASBR to generate a default route into the OSPF routing domain. Parameters are all optional.
<b>Step 6</b>	<b>ip ospf name-lookup</b> <b>Example:</b> Device(config)# <b>ip ospf name-lookup</b>	(Optional) Configures DNS name lookup. The default is disabled.
<b>Step 7</b>	<b>ip auto-cost reference-bandwidth ref-bw</b> <b>Example:</b> Device(config)# <b>ip auto-cost reference-bandwidth 5</b>	(Optional) Specifies an address range for which a single route will be advertised. Use this command only with area border routers.

	Command or Action	Purpose
<b>Step 8</b>	<b>distance ospf</b> {[inter-area <i>dist1</i> ] [inter-area <i>dist2</i> ] [external <i>dist3</i> ]} <b>Example:</b> Device(config)# distance ospf inter-area 150	(Optional) Changes the OSPF distance values. The default distance for each type of route is 110. The range is 1 to 255.
<b>Step 9</b>	<b>passive-interface</b> <i>type number</i> <b>Example:</b> Device(config)# passive-interface gigabitethernet 1/0/6	(Optional) Suppresses the sending of hello packets through the specified interface.
<b>Step 10</b>	<b>timers throttle spf</b> <i>spf-delay spf-holdtime spf-wait</i> <b>Example:</b> Device(config)# timers throttle spf 200 100 100	(Optional) Configures route calculation timers. <ul style="list-style-type: none"> <li>• <i>spf-delay</i>—Delay between receiving a change to SPF calculation. The range is from 1 to 600000 milliseconds.</li> <li>• <i>spf-holdtime</i>—Delay between first and second SPF calculation. The range is from 1 to 600000 in milliseconds.</li> <li>• <i>spf-wait</i>—Maximum wait time in milliseconds for SPF calculations. The range is from 1 to 600000 in milliseconds.</li> </ul>
<b>Step 11</b>	<b>ospf log-adj-changes</b> <b>Example:</b> Device(config)# ospf log-adj-changes	(Optional) Sends syslog message when a neighbor state changes.
<b>Step 12</b>	<b>end</b> <b>Example:</b> Device(config)# <b>end</b>	Returns to privileged EXEC mode.
<b>Step 13</b>	<b>show ip ospf</b> [ <i>process-id</i> [ <i>area-id</i> ]] <b>database</b> <b>Example:</b> Device# show ip ospf database	Displays lists of information related to the OSPF database for a specific router.
<b>Step 14</b>	<b>copy running-config startup-config</b> <b>Example:</b> Device# <b>copy running-config startup-config</b>	(Optional) Saves your entries in the configuration file.

## Changing LSA Group Pacing

### Procedure

	Command or Action	Purpose
<b>Step 1</b>	<b>configure terminal</b> <b>Example:</b>  Device# <code>configure terminal</code>	Enters the global configuration mode.
<b>Step 2</b>	<b>router ospf <i>process-id</i></b> <b>Example:</b>  Device(config)# <code>router ospf 25</code>	Enables OSPF routing, and enter router configuration mode.
<b>Step 3</b>	<b>timers lsa-group-pacing <i>seconds</i></b> <b>Example:</b>  Device(config-router)# <code>timers lsa-group-pacing 15</code>	Changes the group pacing of LSAs.
<b>Step 4</b>	<b>end</b> <b>Example:</b>  Device(config)# <code>end</code>	Returns to privileged EXEC mode.
<b>Step 5</b>	<b>show running-config</b> <b>Example:</b>  Device# <code>show running-config</code>	Verifies your entries.
<b>Step 6</b>	<b>copy running-config startup-config</b> <b>Example:</b>  Device# <code>copy running-config startup-config</code>	(Optional) Saves your entries in the configuration file.

## Configuring a Loopback Interface

### Procedure

	Command or Action	Purpose
<b>Step 1</b>	<b>configure terminal</b> <b>Example:</b>	Enters the global configuration mode.

	Command or Action	Purpose
	Device# <code>configure terminal</code>	
<b>Step 2</b>	<b>interface loopback 0</b> <b>Example:</b> Device(config)# <code>interface loopback 0</code>	Creates a loopback interface, and enter interface configuration mode.
<b>Step 3</b>	<b>ip address address mask</b> <b>Example:</b> Device(config-if)# <code>ip address 10.1.1.5 255.255.240.0</code>	Assign an IP address to this interface.
<b>Step 4</b>	<b>end</b> <b>Example:</b> Device(config)# <code>end</code>	Returns to privileged EXEC mode.
<b>Step 5</b>	<b>show ip interface</b> <b>Example:</b> Device# <code>show ip interface</code>	Verifies your entries.
<b>Step 6</b>	<b>copy running-config startup-config</b> <b>Example:</b> Device# <code>copy running-config startup-config</code>	(Optional) Saves your entries in the configuration file.

## Monitoring OSPF

You can display specific statistics such as the contents of IP routing tables, caches, and databases.

**Table 6: Show IP OSPF Statistics Commands**

<code>show ip ospf [process-id]</code>	Displays general information about OSPF routing processes.
--	--

<pre>show ip ospf [<i>process-id</i>] database [router] [<i>link-state-id</i>] show ip ospf [<i>process-id</i>] database [router] [self-originate] show ip ospf [<i>process-id</i>] database [router] [adv-router [<i>ip-address</i>]] show ip ospf [<i>process-id</i>] database [network] [<i>link-state-id</i>] show ip ospf [<i>process-id</i>] database [summary] [<i>link-state-id</i>] show ip ospf [<i>process-id</i>] database [asbr-summary] [<i>link-state-id</i>] show ip ospf [<i>process-id</i>] database [external] [<i>link-state-id</i>] show ip ospf [<i>process-id area-id</i>] database [database-summary]</pre>	Displays lists of information related to the OSPF database.
<pre>show ip ospf border-routes</pre>	Displays the internal OSPF routing ABR and ASBR table entries.
<pre>show ip ospf interface [<i>interface-name</i>]</pre>	Displays OSPF-related interface information.
<pre>show ip ospf neighbor [<i>interface-name</i>] [<i>neighbor-id</i>] detail</pre>	Displays OSPF interface neighbor information.
<pre>show ip ospf virtual-links</pre>	Displays OSPF-related virtual links information.

## Configuration Examples for OSPF

### Example: Configuring Basic OSPF Parameters

This example shows how to configure an OSPF routing process and assign it a process number of 109:

```
Device(config)# router ospf 109
Device(config-router)# network 131.108.0.0 255.255.255.0 area 24
```

## Information About EIGRP

Enhanced IGRP (EIGRP) is a Cisco proprietary enhanced version of the IGRP. EIGRP uses the same distance vector algorithm and distance information as IGRP; however, the convergence properties and the operating efficiency of EIGRP are significantly improved.

The convergence technology employs an algorithm referred to as the Diffusing Update Algorithm (DUAL), which guarantees loop-free operation at every instant throughout a route computation and allows all devices

involved in a topology change to synchronize at the same time. Routers that are not affected by topology changes are not involved in recomputations.

IP EIGRP provides increased network width. With RIP, the largest possible width of your network is 15 hops. Because the EIGRP metric is large enough to support thousands of hops, the only barrier to expanding the network is the transport-layer hop counter. EIGRP increments the transport control field only when an IP packet has traversed 15 routers and the next hop to the destination was learned through EIGRP. When a RIP route is used as the next hop to the destination, the transport control field is incremented as usual.

## EIGRP Features

EIGRP offers these features:

- Fast convergence.
- Incremental updates when the state of a destination changes, instead of sending the entire contents of the routing table, minimizing the bandwidth required for EIGRP packets.
- Less CPU usage because full update packets need not be processed each time they are received.
- Protocol-independent neighbor discovery mechanism to learn about neighboring routers.
- Variable-length subnet masks (VLSMs).
- Arbitrary route summarization.
- EIGRP scales to large networks.

## EIGRP Components

EIGRP has these four basic components:

- Neighbor discovery and recovery is the process that routers use to dynamically learn of other routers on their directly attached networks. Routers must also discover when their neighbors become unreachable or inoperative. Neighbor discovery and recovery is achieved with low overhead by periodically sending small hello packets. As long as hello packets are received, the Cisco IOS software can learn that a neighbor is alive and functioning. When this status is determined, the neighboring routers can exchange routing information.
- The reliable transport protocol is responsible for guaranteed, ordered delivery of EIGRP packets to all neighbors. It supports intermixed transmission of multicast and unicast packets. Some EIGRP packets must be sent reliably, and others need not be. For efficiency, reliability is provided only when necessary. For example, on a multiaccess network that has multicast capabilities (such as Ethernet), it is not necessary to send hellos reliably to all neighbors individually. Therefore, EIGRP sends a single multicast hello with an indication in the packet informing the receivers that the packet need not be acknowledged. Other types of packets (such as updates) require acknowledgment, which is shown in the packet. The reliable transport has a provision to send multicast packets quickly when there are unacknowledged packets pending. Doing so helps ensure that convergence time remains low in the presence of varying speed links.
- The DUAL finite state machine embodies the decision process for all route computations. It tracks all routes advertised by all neighbors. DUAL uses the distance information (known as a metric) to select efficient, loop-free paths. DUAL selects routes to be inserted into a routing table based on feasible successors. A successor is a neighboring router used for packet forwarding that has a least-cost path to

a destination that is guaranteed not to be part of a routing loop. When there are no feasible successors, but there are neighbors advertising the destination, a recomputation must occur. This is the process whereby a new successor is determined. The amount of time it takes to recompute the route affects the convergence time. Recomputation is processor-intensive; it is advantageous to avoid recomputation if it is not necessary. When a topology change occurs, DUAL tests for feasible successors. If there are feasible successors, it uses any it finds to avoid unnecessary recomputation.

- The protocol-dependent modules are responsible for network layer protocol-specific tasks. An example is the IP EIGRP module, which is responsible for sending and receiving EIGRP packets that are encapsulated in IP. It is also responsible for parsing EIGRP packets and informing DUAL of the new information received. EIGRP asks DUAL to make routing decisions, but the results are stored in the IP routing table. EIGRP is also responsible for redistributing routes learned by other IP routing protocols.



---

**Note** To enable EIGRP, the Device or stack master must be running the IP services feature set.

---

## EIGRP Nonstop Forwarding

The Device stack supports two levels of EIGRP nonstop forwarding:

- EIGRP NSF Awareness
- EIGRP NSF Capability

### EIGRP NSF Awareness

The IP-services feature set supports EIGRP NSF Awareness for IPv4. When the neighboring router is NSF-capable, the Layer 3 Device continues to forward packets from the neighboring router during the interval between the primary Route Processor (RP) in a router failing and the backup RP taking over, or while the primary RP is manually reloaded for a nondisruptive software upgrade.

This feature cannot be disabled. For more information on this feature, see the “EIGRP Nonstop Forwarding (NSF) Awareness” section of the *Cisco IOS IP Routing Protocols Configuration Guide, Release 12.4*.

### EIGRP NSF Capability

The IP services feature set supports EIGRP Cisco NSF routing to speed up convergence and to eliminate traffic loss after a stack master change. For details about this NSF capability, see the “Configuring Nonstop Forwarding” chapter in the *High Availability Configuration Guide, Cisco IOS XE Release 3S*.

The IP-services feature set also supports EIGRP NSF-capable routing for IPv4 for better convergence and lower traffic loss following a stack master change. When an EIGRP NSF-capable stack master restarts or a new stack master starts up and NSF restarts, the Device has no neighbors, and the topology table is empty. The Device must bring up the interfaces, reacquire neighbors, and rebuild the topology and routing tables without interrupting the traffic directed toward the Device stack. EIGRP peer routers maintain the routes learned from the new stack master and continue forwarding traffic through the NSF restart process.

To prevent an adjacency reset by the neighbors, the new stack master uses a new Restart (RS) bit in the EIGRP packet header to show the restart. When the neighbor receives this, it synchronizes the stack in its peer list

and maintains the adjacency with the stack. The neighbor then sends its topology table to the stack master with the RS bit set to show that it is NSF-aware and is aiding the new stack master.

If at least one of the stack peer neighbors is NSF-aware, the stack master receives updates and rebuilds its database. Each NSF-aware neighbor sends an end of table (EOT) marker in the last update packet to mark the end of the table content. The stack master recognizes the convergence when it receives the EOT marker, and it then begins sending updates. When the stack master has received all EOT markers from its neighbors or when the NSF converge timer expires, EIGRP notifies the routing information database (RIB) of convergence and floods its topology table to all NSF-aware peers.

## EIGRP Stub Routing

The EIGRP stub routing feature, available in all feature sets, reduces resource utilization by moving routed traffic closer to the end user.



---

**Note**

The IP Base feature set contains EIGRP stub routing capability, which only advertises connected or summary routes from the routing tables to other Devices in the network. The Device uses EIGRP stub routing at the access layer to eliminate the need for other types of routing advertisements. For enhanced capability and complete EIGRP routing, the Device must be running the IP Base feature set. On a Device running the IP base feature set, if you try to configure multi-VRF-CE and EIGRP stub routing at the same time, the configuration is not allowed. IPv6 EIGRP stub routing is not supported with the IP base feature set.

---

In a network using EIGRP stub routing, the only allowable route for IP traffic to the user is through a Device that is configured with EIGRP stub routing. The Device sends the routed traffic to interfaces that are configured as user interfaces or are connected to other devices.

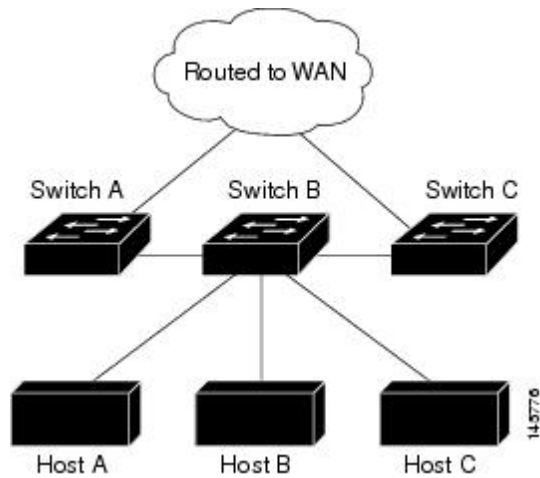
When using EIGRP stub routing, you need to configure the distribution and remote routers to use EIGRP and to configure only the Device as a stub. Only specified routes are propagated from the Device. The Device responds to all queries for summaries, connected routes, and routing updates.

Any neighbor that receives a packet informing it of the stub status does not query the stub router for any routes, and a router that has a stub peer does not query that peer. The stub router depends on the distribution router to send the proper updates to all peers.

In the figure given below, Device B is configured as an EIGRP stub router. Devices A and C are connected to the rest of the WAN. Device B advertises connected, static, redistribution, and summary routes to Device A and C. Device B does not advertise any routes learned from Device A (and the reverse).



Figure 4: EIGRP Stub Router Configuration



For more information about EIGRP stub routing, see “Configuring EIGRP Stub Routing” section of the *Cisco IOS IP Configuration Guide, Volume 2 of 3: Routing Protocols*.

## How to Configure EIGRP

To create an EIGRP routing process, you must enable EIGRP and associate networks. EIGRP sends updates to the interfaces in the specified networks. If you do not specify an interface network, it is not advertised in any EIGRP update.



**Note** If you have routers on your network that are configured for IGRP, and you want to change to EIGRP, you must designate transition routers that have both IGRP and EIGRP configured. In these cases, perform Steps 1 through 3 in the next section and also see the “Configuring Split Horizon” section. You must use the same AS number for routes to be automatically redistributed.

## Default EIGRP Configuration

Table 7: Default EIGRP Configuration

Feature	Default Setting
Auto summary	Disabled.
Default-information	Exterior routes are accepted and default information is passed between EIGRP processes when doing redistribution.

Feature	Default Setting
Default metric	Only connected routes and interface static routes can be redistributed without a default metric. The metric includes: <ul style="list-style-type: none"> <li>• Bandwidth: 0 or greater kb/s.</li> <li>• Delay (tens of microseconds): 0 or any positive number that is a multiple of 39.1 nanoseconds.</li> <li>• Reliability: any number between 0 and 255 (255 means 100 percent reliability).</li> <li>• Loading: effective bandwidth as a number between 0 and 255 (255 is 100 percent loading).</li> <li>• MTU: maximum transmission unit size of the route in bytes. 0 or any positive integer.</li> </ul>
Distance	Internal distance: 90. External distance: 170.
EIGRP log-neighbor changes	Disabled. No adjacency changes logged.
IP authentication key-chain	No authentication provided.
IP authentication mode	No authentication provided.
IP bandwidth-percent	50 percent.
IP hello interval	For low-speed nonbroadcast multiaccess (NBMA) networks: 60 seconds; all other networks: 5 seconds.
IP hold-time	For low-speed NBMA networks: 180 seconds; all other networks: 15 seconds.
IP split-horizon	Enabled.
IP summary address	No summary aggregate addresses are predefined.
Metric weights	tos: 0; k1 and k3: 1; k2, k4, and k5: 0
Network	None specified.
Nonstop Forwarding (NSF) Awareness	Enabled for IPv4 on switches running the IP services feature set. Allows Layer 3 switches to continue forwarding packets from a neighboring NSF-capable router during hardware or software changes.
NSF capability	Disabled. <b>Note</b> The Device supports EIGRP NSF-capable routing for IPv4.

Feature	Default Setting
Offset-list	Disabled.
Router EIGRP	Disabled.
Set metric	No metric set in the route map.
Traffic-share	Distributed proportionately to the ratios of the metrics.
Variance	1 (equal-cost load-balancing).

## Configuring Basic EIGRP Parameters

### Procedure

	Command or Action	Purpose
<b>Step 1</b>	<b>configure terminal</b> <b>Example:</b>  Device# <code>configure terminal</code>	Enters the global configuration mode.
<b>Step 2</b>	<b>router eigrp</b> autonomous-system <b>Example:</b>  Device(config)# <code>router eigrp 10</code>	Enables an EIGRP routing process, and enter router configuration mode. The AS number identifies the routes to other EIGRP routers and is used to tag routing information.
<b>Step 3</b>	<b>nsf</b> <b>Example:</b>  Device(config)# <code>nsf</code>	(Optional) Enables EIGRP NSF. Enter this command on the stack master and on all of its peers.
<b>Step 4</b>	<b>network</b> network-number <b>Example:</b>  Device(config)# <code>network 192.168.0.0</code>	Associate networks with an EIGRP routing process. EIGRP sends updates to the interfaces in the specified networks.
<b>Step 5</b>	<b>eigrp log-neighbor-changes</b> <b>Example:</b>  Device(config)# <code>eigrp log-neighbor-changes</code>	(Optional) Enables logging of EIGRP neighbor changes to monitor routing system stability.
<b>Step 6</b>	<b>metric weights</b> tos k1 k2 k3 k4 k5 <b>Example:</b>  Device(config)# <code>metric weights 0 2 0 2 0 0</code>	(Optional) Adjust the EIGRP metric. Although the defaults have been carefully set to provide excellent operation in most networks, you can adjust them.

	Command or Action	Purpose
		<b>Caution</b> Setting metrics is complex and is not recommended without guidance from an experienced network designer.
<b>Step 7</b>	<b>offset-list</b> [ <i>access-list number   name</i> ] { <b>in</b>   <b>out</b> } <i>offset</i> [ <i>type number</i> ] <b>Example:</b> Device(config)# <b>offset-list 21 out 10</b>	(Optional) Applies an offset list to routing metrics to increase incoming and outgoing metrics to routes learned through EIGRP. You can limit the offset list with an access list or an interface.
<b>Step 8</b>	<b>auto-summary</b> <b>Example:</b> Device(config)# <b>auto-summary</b>	(Optional) Enables automatic summarization of subnet routes into network-level routes.
<b>Step 9</b>	<b>ip summary-address eigrp</b> <i>autonomous-system-number</i> <i>address mask</i> <b>Example:</b> Device(config)# <b>ip summary-address eigrp 1</b> <b>192.168.0.0 255.255.0.0</b>	(Optional) Configures a summary aggregate.
<b>Step 10</b>	<b>end</b> <b>Example:</b> Device(config)# <b>end</b>	Returns to privileged EXEC mode.
<b>Step 11</b>	<b>show ip protocols</b> <b>Example:</b> Device# <b>show ip protocols</b>	Verifies your entries. For NSF awareness, the output shows: *** IP Routing is NSF aware *** EIGRP NSF enabled
<b>Step 12</b>	<b>copy running-config startup-config</b> <b>Example:</b> Device# <b>copy running-config startup-config</b>	(Optional) Saves your entries in the configuration file.

## Configuring EIGRP Interfaces

Other optional EIGRP parameters can be configured on an interface basis.

## Procedure

	Command or Action	Purpose
<b>Step 1</b>	<b>configure terminal</b> <b>Example:</b>  Device# <code>configure terminal</code>	Enters the global configuration mode.
<b>Step 2</b>	<b>interface <i>interface-id</i></b> <b>Example:</b>  Device(config)# <code>interface gigabitethernet 1/0/1</code>	Enters interface configuration mode, and specifies the Layer 3 interface to configure.
<b>Step 3</b>	<b>ip bandwidth-percent eigrp <i>percent</i></b> <b>Example:</b>  Device(config-if)# <code>ip bandwidth-percent eigrp 60</code>	(Optional) Configures the percentage of bandwidth that can be used by EIGRP on an interface. The default is 50 percent.
<b>Step 4</b>	<b>ip summary-address eigrp <i>autonomous-system-number address mask</i></b> <b>Example:</b>  Device(config-if)# <code>ip summary-address eigrp 109 192.161.0.0 255.255.0.0</code>	(Optional) Configures a summary aggregate address for a specified interface (not usually necessary if auto-summary is enabled).
<b>Step 5</b>	<b>ip hello-interval eigrp <i>autonomous-system-number seconds</i></b> <b>Example:</b>  Device(config-if)# <code>ip hello-interval eigrp 109 10</code>	(Optional) Change the hello time interval for an EIGRP routing process. The range is 1 to 65535 seconds. The default is 60 seconds for low-speed NBMA networks and 5 seconds for all other networks.
<b>Step 6</b>	<b>ip hold-time eigrp <i>autonomous-system-number seconds</i></b> <b>Example:</b>  Device(config-if)# <code>ip hold-time eigrp 109 40</code>	(Optional) Change the hold time interval for an EIGRP routing process. The range is 1 to 65535 seconds. The default is 180 seconds for low-speed NBMA networks and 15 seconds for all other networks.  <b>Caution</b> Do not adjust the hold time without consulting Cisco technical support.
<b>Step 7</b>	<b>no ip split-horizon eigrp <i>autonomous-system-number</i></b> <b>Example:</b>  Device(config-if)# <code>no ip split-horizon eigrp 109</code>	(Optional) Disables split horizon to allow route information to be advertised by a router out any interface from which that information originated.
<b>Step 8</b>	<b>end</b> <b>Example:</b>	Returns to privileged EXEC mode.

	Command or Action	Purpose
	Device(config)# <b>end</b>	
<b>Step 9</b>	<b>show ip eigrp interface</b> <b>Example:</b> Device# show ip eigrp interface	Displays which interfaces EIGRP is active on and information about EIGRP relating to those interfaces.
<b>Step 10</b>	<b>copy running-config startup-config</b> <b>Example:</b> Device# copy running-config startup-config	(Optional) Saves your entries in the configuration file.

## Configuring EIGRP Route Authentication

EIGRP route authentication provides MD5 authentication of routing updates from the EIGRP routing protocol to prevent the introduction of unauthorized or false routing messages from unapproved sources.

### Procedure

	Command or Action	Purpose
<b>Step 1</b>	<b>configure terminal</b> <b>Example:</b> Device# configure terminal	Enters the global configuration mode.
<b>Step 2</b>	<b>interface interface-id</b> <b>Example:</b> Device(config)# interface gigabitethernet 1/0/1	Enters interface configuration mode, and specifies the Layer 3 interface to configure.
<b>Step 3</b>	<b>ip authentication mode eigrp <i>autonomous-system</i> md5</b> <b>Example:</b> Device(config-if)# ip authentication mode eigrp 104 md5	Enables MD5 authentication in IP EIGRP packets.
<b>Step 4</b>	<b>ip authentication key-chain eigrp <i>autonomous-system</i> <i>key-chain</i></b> <b>Example:</b> Device(config-if)# ip authentication key-chain eigrp 105 chain1	Enables authentication of IP EIGRP packets.

	Command or Action	Purpose
Step 5	<b>exit</b> <b>Example:</b> Device(config-if)# exit	Returns to global configuration mode.
Step 6	<b>key chain</b> <i>name-of-chain</i> <b>Example:</b> Device(config)# key chain chain1	Identify a key chain and enter key-chain configuration mode. Match the name configured in Step 4.
Step 7	<b>key number</b> <b>Example:</b> Device(config-keychain)# key 1	In key-chain configuration mode, identify the key number.
Step 8	<b>key-string</b> <i>text</i> <b>Example:</b> Device(config-keychain-key)# key-string key1	In key-chain key configuration mode, identify the key string.
Step 9	<b>accept-lifetime</b> <i>start-time</i> { <b>infinite</b>   <i>end-time</i>   <b>duration</b> <i>seconds</i> } <b>Example:</b> Device(config-keychain-key)# accept-lifetime 13:30:00 Jan 25 2011 duration 7200	(Optional) Specifies the time period during which the key can be received.  The <i>start-time</i> and <i>end-time</i> syntax can be either <i>hh:mm:ss Month date year</i> or <i>hh:mm:ss date Month year</i> . The default is forever with the default <i>start-time</i> and the earliest acceptable date as January 1, 1993. The default <i>end-time</i> and <b>duration</b> is <b>infinite</b> .
Step 10	<b>send-lifetime</b> <i>start-time</i> { <b>infinite</b>   <i>end-time</i>   <b>duration</b> <i>seconds</i> } <b>Example:</b> Device(config-keychain-key)# send-lifetime 14:00:00 Jan 25 2011 duration 3600	(Optional) Specifies the time period during which the key can be sent.  The <i>start-time</i> and <i>end-time</i> syntax can be either <i>hh:mm:ss Month date year</i> or <i>hh:mm:ss date Month year</i> . The default is forever with the default <i>start-time</i> and the earliest acceptable date as January 1, 1993. The default <i>end-time</i> and <b>duration</b> is <b>infinite</b> .
Step 11	<b>end</b> <b>Example:</b> Device(config)# end	Returns to privileged EXEC mode.
Step 12	<b>show key chain</b> <b>Example:</b> Device# show key chain	Displays authentication key information.

	Command or Action	Purpose
Step 13	<b>copy running-config startup-config</b> <b>Example:</b> Device# <code>copy running-config startup-config</code>	(Optional) Saves your entries in the configuration file.

## Monitoring and Maintaining EIGRP

You can delete neighbors from the neighbor table. You can also display various EIGRP routing statistics. The table given below lists the privileged EXEC commands for deleting neighbors and displaying statistics. For explanations of fields in the resulting display, see the *Cisco IOS IP Command Reference, Volume 2 of 3: Routing Protocols, Release 12.4*.

**Table 8: IP EIGRP Clear and Show Commands**

<b>clear ip eigrp neighbors</b> [ <i>if-address</i>   <i>interface</i> ]	Deletes neighbors from the neighbor table.
<b>show ip eigrp interface</b> [ <i>interface</i> ] [ <i>as number</i> ]	Displays information about interfaces configured for EIGRP.
<b>show ip eigrp neighbors</b> [ <i>type-number</i> ]	Displays EIGRP discovered neighbors.
<b>show ip eigrp topology</b> [ <i>autonomous-system-number</i> ]   [[ <i>ip-address</i> ] <i>mask</i> ]]	Displays the EIGRP topology table for a given process.
<b>show ip eigrp traffic</b> [ <i>autonomous-system-number</i> ]	Displays the number of packets sent and received for all or a specified EIGRP process.

## Information About BGP

The Border Gateway Protocol (BGP) is an exterior gateway protocol used to set up an interdomain routing system that guarantees the loop-free exchange of routing information between autonomous systems. Autonomous systems are made up of routers that operate under the same administration and that run Interior Gateway Protocols (IGPs), such as RIP or OSPF, within their boundaries and that interconnect by using an Exterior Gateway Protocol (EGP). BGP Version 4 is the standard EGP for interdomain routing in the Internet. The protocol is defined in RFCs 1163, 1267, and 1771. You can find detailed information about BGP in *Internet Routing Architectures*, published by Cisco Press, and in the “Configuring BGP” chapter in the *Cisco IP and IP Routing Configuration Guide*.

For details about BGP commands and keywords, see the “IP Routing Protocols” part of the *Cisco IOS IP Command Reference, Volume 2 of 3: Routing Protocols*.

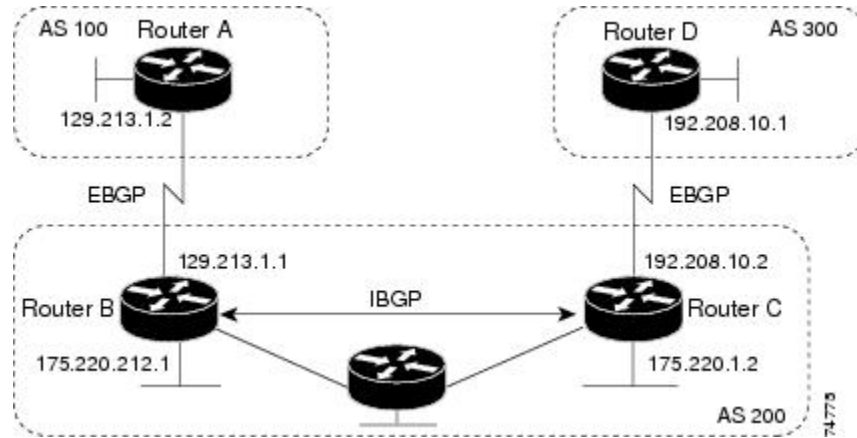
## BGP Network Topology

Routers that belong to the same autonomous system (AS) and that exchange BGP updates run internal BGP (IBGP), and routers that belong to different autonomous systems and that exchange BGP updates run external



BGP (EBGP). Most configuration commands are the same for configuring EBGP and IBGP. The difference is that the routing updates are exchanged either between autonomous systems (EBGP) or within an AS (IBGP). The figure given below shows a network that is running both EBGP and IBGP.

**Figure 5: EBGP, IBGP, and Multiple Autonomous Systems**



Before exchanging information with an external AS, BGP ensures that networks within the AS can be reached by defining internal BGP peering among routers within the AS and by redistributing BGP routing information to IGP that run within the AS, such as IGRP and OSPF.

Routers that run a BGP routing process are often referred to as BGP speakers. BGP uses the Transmission Control Protocol (TCP) as its transport protocol (specifically port 179). Two BGP speakers that have a TCP connection to each other for exchanging routing information are known as peers or neighbors. In the above figure, Routers A and B are BGP peers, as are Routers B and C and Routers C and D. The routing information is a series of AS numbers that describe the full path to the destination network. BGP uses this information to construct a loop-free map of autonomous systems.

The network has these characteristics:

- Routers A and B are running EBGP, and Routers B and C are running IBGP. Note that the EBGP peers are directly connected and that the IBGP peers are not. As long as there is an IGP running that allows the two neighbors to reach one another, IBGP peers do not have to be directly connected.
- All BGP speakers within an AS must establish a peer relationship with each other. That is, the BGP speakers within an AS must be fully meshed logically. BGP4 provides two techniques that reduce the requirement for a logical full mesh: confederations and route reflectors.
- AS 200 is a transit AS for AS 100 and AS 300—that is, AS 200 is used to transfer packets between AS 100 and AS 300.

BGP peers initially exchange their full BGP routing tables and then send only incremental updates. BGP peers also exchange keepalive messages (to ensure that the connection is up) and notification messages (in response to errors or special conditions).

In BGP, each route consists of a network number, a list of autonomous systems that information has passed through (the autonomous system path), and a list of other path attributes. The primary function of a BGP system is to exchange network reachability information, including information about the list of AS paths, with other BGP systems. This information can be used to determine AS connectivity, to prune routing loops, and to enforce AS-level policy decisions.

A router or Device running Cisco IOS does not select or use an IBGP route unless it has a route available to the next-hop router and it has received synchronization from an IGP (unless IGP synchronization is disabled). When multiple routes are available, BGP bases its path selection on attribute values. See the “Configuring BGP Decision Attributes” section for information about BGP attributes.

BGP Version 4 supports classless interdomain routing (CIDR) so you can reduce the size of your routing tables by creating aggregate routes, resulting in supernets. CIDR eliminates the concept of network classes within BGP and supports the advertising of IP prefixes.

## Nonstop Forwarding Awareness

The BGP NSF Awareness feature is supported for IPv4 in the IP services feature set. To enable this feature with BGP routing, you need to enable Graceful Restart. When the neighboring router is NSF-capable, and this feature is enabled, the Layer 3 Device continues to forward packets from the neighboring router during the interval between the primary Route Processor (RP) in a router failing and the backup RP taking over, or while the primary RP is manually reloaded for a nondisruptive software upgrade.

For more information, see the “BGP Nonstop Forwarding (NSF) Awareness” section of the *Cisco IOS IP Routing Protocols Configuration Guide, Release 12.4*.

## Information About BGP Routing

To enable BGP routing, you establish a BGP routing process and define the local network. Because BGP must completely recognize the relationships with its neighbors, you must also specify a BGP neighbor.

BGP supports two kinds of neighbors: internal and external. Internal neighbors are in the same AS; external neighbors are in different autonomous systems. External neighbors are usually adjacent to each other and share a subnet, but internal neighbors can be anywhere in the same AS.

The switch supports the use of private AS numbers, usually assigned by service providers and given to systems whose routes are not advertised to external neighbors. The private AS numbers are from 64512 to 65535. You can configure external neighbors to remove private AS numbers from the AS path by using the **neighbor remove-private-as** router configuration command. Then when an update is passed to an external neighbor, if the AS path includes private AS numbers, these numbers are dropped.

If your AS will be passing traffic through it from another AS to a third AS, it is important to be consistent about the routes it advertises. If BGP advertised a route before all routers in the network had learned about the route through the IGP, the AS might receive traffic that some routers could not yet route. To prevent this from happening, BGP must wait until the IGP has propagated information across the AS so that BGP is synchronized with the IGP. Synchronization is enabled by default. If your AS does not pass traffic from one AS to another AS, or if all routers in your autonomous systems are running BGP, you can disable synchronization, which allows your network to carry fewer routes in the IGP and allows BGP to converge more quickly.

## Routing Policy Changes

Routing policies for a peer include all the configurations that might affect inbound or outbound routing table updates. When you have defined two routers as BGP neighbors, they form a BGP connection and exchange routing information. If you later change a BGP filter, weight, distance, version, or timer, or make a similar configuration change, you must reset the BGP sessions so that the configuration changes take effect.

There are two types of reset, hard reset and soft reset. Cisco IOS Releases 12.1 and later support a soft reset without any prior configuration. To use a soft reset without preconfiguration, both BGP peers must support the soft route refresh capability, which is advertised in the OPEN message sent when the peers establish a TCP session. A soft reset allows the dynamic exchange of route refresh requests and routing information between BGP routers and the subsequent re-advertisement of the respective outbound routing table.

- When soft reset generates inbound updates from a neighbor, it is called dynamic inbound soft reset.
- When soft reset sends a set of updates to a neighbor, it is called outbound soft reset.

A soft inbound reset causes the new inbound policy to take effect. A soft outbound reset causes the new local outbound policy to take effect without resetting the BGP session. As a new set of updates is sent during outbound policy reset, a new inbound policy can also take effect.

The table given below lists the advantages and disadvantages hard reset and soft reset.

**Table 9: Advantages and Disadvantages of Hard and Soft Resets**

Type of Reset	Advantages	Disadvantages
Hard reset	No memory overhead	The prefixes in the BGP, IP, and FIB tables provided by the neighbor are lost. Not recommended.
Outbound soft reset	No configuration, no storing of routing table updates	Does not reset inbound routing table updates.
Dynamic inbound soft reset	Does not clear the BGP session and cache  Does not require storing of routing table updates and has no memory overhead	Both BGP routers must support the route refresh capability (in Cisco IOS Release 12.1 and later).

## BGP Decision Attributes

When a BGP speaker receives updates from multiple autonomous systems that describe different paths to the same destination, it must choose the single best path for reaching that destination. When chosen, the selected path is entered into the BGP routing table and propagated to its neighbors. The decision is based on the value of attributes that the update contains and other BGP-configurable factors.

When a BGP peer learns two EBGp paths for a prefix from a neighboring AS, it chooses the best path and inserts that path in the IP routing table. If BGP multipath support is enabled and the EBGp paths are learned from the same neighboring autonomous systems, instead of a single best path, multiple paths are installed in the IP routing table. Then, during packet switching, per-packet or per-destination load-balancing is performed among the multiple paths. The **maximum-paths** router configuration command controls the number of paths allowed.

These factors summarize the order in which BGP evaluates the attributes for choosing the best path:

1. If the path specifies a next hop that is inaccessible, drop the update. The BGP next-hop attribute, automatically determined by the software, is the IP address of the next hop that is going to be used to reach a destination. For EBGp, this is usually the IP address of the neighbor specified by the **neighbor**

**remote-as router** configuration command. You can disable next-hop processing by using route maps or the **neighbor next-hop-self** router configuration command.

2. Prefer the path with the largest weight (a Cisco proprietary parameter). The weight attribute is local to the router and not propagated in routing updates. By default, the weight attribute is 32768 for paths that the router originates and zero for other paths. Routes with the largest weight are preferred. You can use access lists, route maps, or the **neighbor weight** router configuration command to set weights.
3. Prefer the route with the highest local preference. Local preference is part of the routing update and exchanged among routers in the same AS. The default value of the local preference attribute is 100. You can set local preference by using the **bgp default local-preference** router configuration command or by using a route map.
4. Prefer the route that was originated by BGP running on the local router.
5. Prefer the route with the shortest AS path.
6. Prefer the route with the lowest origin type. An interior route or IGP is lower than a route learned by EGP, and an EGP-learned route is lower than one of unknown origin or learned in another way.
7. Prefer the route with the lowest multi-exit discriminator (MED) metric attribute if the neighboring AS is the same for all routes considered. You can configure the MED by using route maps or by using the **default-metric** router configuration command. When an update is sent to an IBGP peer, the MED is included.
8. Prefer the external (EBGP) path over the internal (IBGP) path.
9. Prefer the route that can be reached through the closest IGP neighbor (the lowest IGP metric). This means that the router will prefer the shortest internal path within the AS to reach the destination (the shortest path to the BGP next-hop).
10. If the following conditions are all true, insert the route for this path into the IP routing table:
  - Both the best route and this route are external.
  - Both the best route and this route are from the same neighboring autonomous system.
  - Maximum-paths is enabled.
11. If multipath is not enabled, prefer the route with the lowest IP address value for the BGP router ID. The router ID is usually the highest IP address on the router or the loopback (virtual) address, but might be implementation-specific.

## Route Maps

Within BGP, route maps can be used to control and to modify routing information and to define the conditions by which routes are redistributed between routing domains. See the “Using Route Maps to Redistribute Routing Information” section for more information about route maps. Each route map has a name that identifies the route map (*map tag*) and an optional sequence number.

## BGP Filtering

You can filter BGP advertisements by using AS-path filters, such as the **as-path access-list** global configuration command and the **neighbor filter-list** router configuration command. You can also use access lists with the **neighbor distribute-list** router configuration command. Distribute-list filters are applied to network numbers.

See the “Controlling Advertising and Processing in Routing Updates” section for information about the **distribute-list** command.

You can use route maps on a per-neighbor basis to filter updates and to modify various attributes. A route map can be applied to either inbound or outbound updates. Only the routes that pass the route map are sent or accepted in updates. On both inbound and outbound updates, matching is supported based on AS path, community, and network numbers. Autonomous system path matching requires the **match as-path access-list** route-map command, community based matching requires the **match community-list** route-map command, and network-based matching requires the **ip access-list** global configuration command.

## Prefix List for BGP Filtering

You can use prefix lists as an alternative to access lists in many BGP route filtering commands, including the **neighbor distribute-list** router configuration command. The advantages of using prefix lists include performance improvements in loading and lookup of large lists, incremental update support, easier CLI configuration, and greater flexibility.

Filtering by a prefix list involves matching the prefixes of routes with those listed in the prefix list, as when matching access lists. When there is a match, the route is used. Whether a prefix is permitted or denied is based upon these rules:

- An empty prefix list permits all prefixes.
- An implicit deny is assumed if a given prefix does not match any entries in a prefix list.
- When multiple entries of a prefix list match a given prefix, the sequence number of a prefix list entry identifies the entry with the lowest sequence number.

By default, sequence numbers are generated automatically and incremented in units of five. If you disable the automatic generation of sequence numbers, you must specify the sequence number for each entry. You can specify sequence values in any increment. If you specify increments of one, you cannot insert additional entries into the list; if you choose very large increments, you might run out of values.

## BGP Community Filtering

One way that BGP controls the distribution of routing information based on the value of the COMMUNITIES attribute. The attribute is a way to groups destinations into communities and to apply routing decisions based on the communities. This method simplifies configuration of a BGP speaker to control distribution of routing information.

A community is a group of destinations that share some common attribute. Each destination can belong to multiple communities. AS administrators can define to which communities a destination belongs. By default, all destinations belong to the general Internet community. The community is identified by the COMMUNITIES attribute, an optional, transitive, global attribute in the numerical range from 1 to 4294967200. These are some predefined, well-known communities:

- **internet**—Advertise this route to the Internet community. All routers belong to it.
- **no-export**—Do not advertise this route to EBGp peers.
- **no-advertise**—Do not advertise this route to any peer (internal or external).
- **local-as**—Do not advertise this route to peers outside the local autonomous system.

Based on the community, you can control which routing information to accept, prefer, or distribute to other neighbors. A BGP speaker can set, append, or modify the community of a route when learning, advertising, or redistributing routes. When routes are aggregated, the resulting aggregate has a COMMUNITIES attribute that contains all communities from all the initial routes.

You can use community lists to create groups of communities to use in a match clause of a route map. As with an access list, a series of community lists can be created. Statements are checked until a match is found. As soon as one statement is satisfied, the test is concluded.

To set the COMMUNITIES attribute and match clauses based on communities, see the **match community-list** and **set community** route-map configuration commands in the “Using Route Maps to Redistribute Routing Information” section.

## BGP Neighbors and Peer Groups

Often many BGP neighbors are configured with the same update policies (that is, the same outbound route maps, distribute lists, filter lists, update source, and so on). Neighbors with the same update policies can be grouped into peer groups to simplify configuration and to make updating more efficient. When you have configured many peers, we recommend this approach.

To configure a BGP peer group, you create the peer group, assign options to the peer group, and add neighbors as peer group members. You configure the peer group by using the **neighbor** router configuration commands. By default, peer group members inherit all the configuration options of the peer group, including the remote-as (if configured), version, update-source, out-route-map, out-filter-list, out-dist-list, minimum-advertisement-interval, and next-hop-self. All peer group members also inherit changes made to the peer group. Members can also be configured to override the options that do not affect outbound updates.

## Aggregate Routes

Classless interdomain routing (CIDR) enables you to create aggregate routes (or supernets) to minimize the size of routing tables. You can configure aggregate routes in BGP either by redistributing an aggregate route into BGP or by creating an aggregate entry in the BGP routing table. An aggregate address is added to the BGP table when there is at least one more specific entry in the BGP table.

## Routing Domain Confederations

One way to reduce the IBGP mesh is to divide an autonomous system into multiple subautonomous systems and to group them into a single confederation that appears as a single autonomous system. Each autonomous system is fully meshed within itself and has a few connections to other autonomous systems in the same confederation. Even though the peers in different autonomous systems have EBGP sessions, they exchange routing information as if they were IBGP peers. Specifically, the next hop, MED, and local preference information is preserved. You can then use a single IGP for all of the autonomous systems.

## BGP Route Reflectors

BGP requires that all of the IBGP speakers be fully meshed. When a router receives a route from an external neighbor, it must advertise it to all internal neighbors. To prevent a routing information loop, all IBGP speakers must be connected. The internal neighbors do not send routes learned from internal neighbors to other internal neighbors.

With route reflectors, all IBGP speakers need not be fully meshed because another method is used to pass learned routes to neighbors. When you configure an internal BGP peer to be a route reflector, it is responsible for passing IBGP learned routes to a set of IBGP neighbors. The internal peers of the route reflector are divided into two groups: client peers and nonclient peers (all the other routers in the autonomous system). A route reflector reflects routes between these two groups. The route reflector and its client peers form a cluster. The nonclient peers must be fully meshed with each other, but the client peers need not be fully meshed. The clients in the cluster do not communicate with IBGP speakers outside their cluster.

When the route reflector receives an advertised route, it takes one of these actions, depending on the neighbor:

- A route from an external BGP speaker is advertised to all clients and nonclient peers.
- A route from a nonclient peer is advertised to all clients.
- A route from a client is advertised to all clients and nonclient peers. Hence, the clients need not be fully meshed.

Usually a cluster of clients have a single route reflector, and the cluster is identified by the route reflector router ID. To increase redundancy and to avoid a single point of failure, a cluster might have more than one route reflector. In this case, all route reflectors in the cluster must be configured with the same 4-byte cluster ID so that a route reflector can recognize updates from route reflectors in the same cluster. All the route reflectors serving a cluster should be fully meshed and should have identical sets of client and nonclient peers.

## Route Dampening

Route flap dampening is a BGP feature designed to minimize the propagation of flapping routes across an internetwork. A route is considered to be flapping when it is repeatedly available, then unavailable, then available, then unavailable, and so on. When route dampening is enabled, a numeric penalty value is assigned to a route when it flaps. When a route's accumulated penalties reach a configurable limit, BGP suppresses advertisements of the route, even if the route is running. The reuse limit is a configurable value that is compared with the penalty. If the penalty is less than the reuse limit, a suppressed route that is up is advertised again.

Dampening is not applied to routes that are learned by IBGP. This policy prevents the IBGP peers from having a higher penalty for routes external to the AS.

## How to Configure BGP

### Default BGP Configuration

The table given below shows the basic default BGP configuration. For the defaults for all characteristics, see the specific commands in the *Cisco IOS IP Command Reference, Volume 2 of 3: Routing Protocols, Release 12.4*.

**Table 10: Default BGP Configuration**

Feature	Default Setting
Aggregate address	Disabled: None defined.
AS path access list	None defined.

Feature	Default Setting
Auto summary	Disabled.
Best path	<ul style="list-style-type: none"> <li>The router considers <i>as-path</i> in choosing a route and does not compare similar routes from external BGP peers.</li> <li>Compare router ID: Disabled.</li> </ul>
BGP community list	<ul style="list-style-type: none"> <li>Number: None defined. When you permit a value for the community number, the list defaults to an implicit deny for everything else that has not been permitted.</li> <li>Format: Cisco default format (32-bit number).</li> </ul>
BGP confederation identifier/peers	<ul style="list-style-type: none"> <li>Identifier: None configured.</li> <li>Peers: None identified.</li> </ul>
BGP Fast external fallover	Enabled.
BGP local preference	100. The range is 0 to 4294967295 with the higher value preferred.
BGP network	None specified; no backdoor route advertised.
BGP route dampening	<p>Disabled by default. When enabled:</p> <ul style="list-style-type: none"> <li>Half-life is 15 minutes.</li> <li>Re-use is 750 (10-second increments).</li> <li>Suppress is 2000 (10-second increments).</li> <li>Max-suppress-time is 4 times half-life; 60 minutes.</li> </ul>
BGP router ID	The IP address of a loopback interface if one is configured or the highest IP address configured for a physical interface on the router.
Default information originate (protocol or network redistribution)	Disabled.
Default metric	Built-in, automatic metric translations.



Feature	Default Setting
Distance	<ul style="list-style-type: none"> <li>• External route administrative distance: 20 (acceptable values are from 1 to 255).</li> <li>• Internal route administrative distance: 200 (acceptable values are from 1 to 255).</li> <li>• Local route administrative distance: 200 (acceptable values are from 1 to 255).</li> </ul>
Distribute list	<ul style="list-style-type: none"> <li>• In (filter networks received in updates): Disabled.</li> <li>• Out (suppress networks from being advertised in updates): Disabled.</li> </ul>
Internal route redistribution	Disabled.
IP prefix list	None defined.
Multi exit discriminator (MED)	<ul style="list-style-type: none"> <li>• Always compare: Disabled. Does not compare MEDs for paths from neighbors in different autonomous systems.</li> <li>• Best path compare: Disabled.</li> <li>• MED missing as worst path: Disabled.</li> <li>• Deterministic MED comparison is disabled.</li> </ul>

Feature	Default Setting
Neighbor	<ul style="list-style-type: none"> <li>• Advertisement interval: 30 seconds for external peers; 5 seconds for internal peers.</li> <li>• Change logging: Enabled.</li> <li>• Conditional advertisement: Disabled.</li> <li>• Default originate: No default route is sent to the neighbor.</li> <li>• Description: None.</li> <li>• Distribute list: None defined.</li> <li>• External BGP multihop: Only directly connected neighbors are allowed.</li> <li>• Filter list: None used.</li> <li>• Maximum number of prefixes received: No limit.</li> <li>• Next hop (router as next hop for BGP neighbor): Disabled.</li> <li>• Password: Disabled.</li> <li>• Peer group: None defined; no members assigned.</li> <li>• Prefix list: None specified.</li> <li>• Remote AS (add entry to neighbor BGP table): No peers defined.</li> <li>• Private AS number removal: Disabled.</li> <li>• Route maps: None applied to a peer.</li> <li>• Send community attributes: None sent to neighbors.</li> <li>• Shutdown or soft reconfiguration: Not enabled.</li> <li>• Timers: keepalive: 60 seconds; holdtime: 180 seconds.</li> <li>• Update source: Best local address.</li> <li>• Version: BGP Version 4.</li> <li>• Weight: Routes learned through BGP peer: 0; routes sourced by the local router: 32768.</li> </ul>
NSF <sup>1</sup> Awareness	Disabled <sup>2</sup> . If enabled, allows Layer 3 switches to continue forwarding packets from a neighboring NSF-capable router during hardware or software changes.

Feature	Default Setting
Route reflector	None configured.
Synchronization (BGP and IGP)	Disabled.
Table map update	Disabled.
Timers	Keepalive: 60 seconds; holdtime: 180 seconds.

<sup>1</sup> Nonstop Forwarding

<sup>2</sup> NSF Awareness can be enabled for IPv4 on switches with the IP services feature set by enabling Graceful Restart.

## Enabling BGP Routing

### Before you begin



**Note** To enable BGP, the switch or stack master must be running the IP services feature set.

### Procedure

	Command or Action	Purpose
<b>Step 1</b>	<b>configure terminal</b> <b>Example:</b> Device# <code>configure terminal</code>	Enters the global configuration mode.
<b>Step 2</b>	<b>ip routing</b> <b>Example:</b> Device(config)# <code>ip routing</code>	Enables IP routing.
<b>Step 3</b>	<b>router bgp <i>autonomous-system</i></b> <b>Example:</b> Device(config)# <code>router bgp 45000</code>	Enables a BGP routing process, assign it an AS number, and enter router configuration mode. The AS number can be from 1 to 65535, with 64512 to 65535 designated as private autonomous numbers.
<b>Step 4</b>	<b>network <i>network-number</i> [<i>mask network-mask</i>]            [<i>route-map route-map-name</i>]</b> <b>Example:</b> Device(config)# <code>network 10.108.0.0</code>	Configures a network as local to this AS, and enter it in the BGP table.

	Command or Action	Purpose
<b>Step 5</b>	<p><b>neighbor</b> {ip-address   peer-group-name} <b>remote-as</b> number</p> <p><b>Example:</b></p> <pre>Device(config)# neighbor 10.108.1.2 remote-as 65200</pre>	<p>Adds an entry to the BGP neighbor table specifying that the neighbor identified by the IP address belongs to the specified AS.</p> <p>For EBGP, neighbors are usually directly connected, and the IP address is the address of the interface at the other end of the connection.</p> <p>For IBGP, the IP address can be the address of any of the router interfaces.</p>
<b>Step 6</b>	<p><b>neighbor</b> {ip-address   peer-group-name} <b>remove-private-as</b></p> <p><b>Example:</b></p> <pre>Device(config)# neighbor 172.16.2.33 remove-private-as</pre>	(Optional) Removes private AS numbers from the AS-path in outbound routing updates.
<b>Step 7</b>	<p><b>synchronization</b></p> <p><b>Example:</b></p> <pre>Device(config)# synchronization</pre>	(Optional) Enables synchronization between BGP and an IGP.
<b>Step 8</b>	<p><b>auto-summary</b></p> <p><b>Example:</b></p> <pre>Device(config)# auto-summary</pre>	(Optional) Enables automatic network summarization. When a subnet is redistributed from an IGP into BGP, only the network route is inserted into the BGP table.
<b>Step 9</b>	<p><b>bgp graceful-restart</b></p> <p><b>Example:</b></p> <pre>Device(config)# bgp graceful-start</pre>	(Optional) Enables NSF awareness on switch. By default, NSF awareness is disabled.
<b>Step 10</b>	<p><b>end</b></p> <p><b>Example:</b></p> <pre>Device(config)# end</pre>	Returns to privileged EXEC mode.
<b>Step 11</b>	<p><b>show ip bgp network</b> network-number</p> <p><b>Example:</b></p> <pre>Device# show ip bgp network 10.108.0.0</pre>	Verifies the configuration.
<b>Step 12</b>	<p><b>show ip bgp neighbor</b></p> <p><b>Example:</b></p> <pre>Device# show ip bgp neighbor</pre>	<p>Verifies that NSF awareness (Graceful Restart) is enabled on the neighbor.</p> <p>If NSF awareness is enabled on the switch and the neighbor, this message appears:</p> <p><i>Graceful Restart Capability: advertised and received</i></p>

	Command or Action	Purpose
		If NSF awareness is enabled on the switch, but not on the neighbor, this message appears: <i>Graceful Restart Capability: advertised</i>
<b>Step 13</b>	<b>copy running-config startup-config</b>  <b>Example:</b>  Device# <code>copy running-config startup-config</code>	(Optional) Saves your entries in the configuration file.

## Managing Routing Policy Changes

To learn if a BGP peer supports the route refresh capability and to reset the BGP session:

### Procedure

	Command or Action	Purpose
<b>Step 1</b>	<b>show ip bgp neighbors</b>  <b>Example:</b>  Device# <code>show ip bgp neighbors</code>	Displays whether a neighbor supports the route refresh capability. When supported, this message appears for the router:  <i>Received route refresh capability from peer.</i>
<b>Step 2</b>	<b>clear ip bgp</b> {*   <i>address</i>   <i>peer-group-name</i> }  <b>Example:</b>  Device# <code>clear ip bgp *</code>	Resets the routing table on the specified connection. <ul style="list-style-type: none"> <li>• Enter an asterisk (*) to specify that all connections be reset.</li> <li>• Enter an IP address to specify the connection to be reset.</li> <li>• Enter a peer group name to reset the peer group.</li> </ul>
<b>Step 3</b>	<b>clear ip bgp</b> {*   <i>address</i>   <i>peer-group-name</i> } <b>soft out</b>  <b>Example:</b>  Device# <code>clear ip bgp * soft out</code>	(Optional) Performs an outbound soft reset to reset the inbound routing table on the specified connection. Use this command if route refresh is supported. <ul style="list-style-type: none"> <li>• Enter an asterisk (*) to specify that all connections be reset.</li> <li>• Enter an IP address to specify the connection to be reset.</li> <li>• Enter a peer group name to reset the peer group.</li> </ul>
<b>Step 4</b>	<b>show ip bgp</b>  <b>Example:</b>  Device# <code>show ip bgp</code>	Verifies the reset by checking information about the routing table and about BGP neighbors.

	Command or Action	Purpose
<b>Step 5</b>	<b>show ip bgp neighbors</b> <b>Example:</b> Device# show ip bgp neighbors	Verifies the reset by checking information about the routing table and about BGP neighbors.

## Configuring BGP Decision Attributes

### Procedure

	Command or Action	Purpose
<b>Step 1</b>	<b>configure terminal</b> <b>Example:</b> Device# <b>configure terminal</b>	Enters the global configuration mode.
<b>Step 2</b>	<b>router bgp <i>autonomous-system</i></b> <b>Example:</b> Device(config)# router bgp 4500	Enables a BGP routing process, assign it an AS number, and enter router configuration mode.
<b>Step 3</b>	<b>bgp best-path as-path ignore</b> <b>Example:</b> Device(config-router)# bgp bestpath as-path ignore	(Optional) Configures the router to ignore AS path length in selecting a route.
<b>Step 4</b>	<b>neighbor {<i>ip-address</i>   <i>peer-group-name</i>} next-hop-self</b> <b>Example:</b> Device(config-router)# neighbor 10.108.1.1 next-hop-self	(Optional) Disables next-hop processing on BGP updates to a neighbor by entering a specific IP address to be used instead of the next-hop address.
<b>Step 5</b>	<b>neighbor {<i>ip-address</i>   <i>peer-group-name</i>} weight <i>weight</i></b> <b>Example:</b> Device(config-router)# neighbor 172.16.12.1 weight 50	(Optional) Assign a weight to a neighbor connection. Acceptable values are from 0 to 65535; the largest weight is the preferred route. Routes learned through another BGP peer have a default weight of 0; routes sourced by the local router have a default weight of 32768.
<b>Step 6</b>	<b>default-metric <i>number</i></b> <b>Example:</b> Device(config-router)# default-metric 300	(Optional) Sets a MED metric to set preferred paths to external neighbors. All routes without a MED will also be set to this value. The range is 1 to 4294967295. The lowest value is the most desirable.

	Command or Action	Purpose
<b>Step 7</b>	<b>bgp bestpath med missing-as-worst</b> <b>Example:</b> <pre>Device(config-router)# bgp bestpath med missing-as-worst</pre>	(Optional) Configures the switch to consider a missing MED as having a value of infinity, making the path without a MED value the least desirable path.
<b>Step 8</b>	<b>bgp always-compare med</b> <b>Example:</b> <pre>Device(config-router)# bgp always-compare-med</pre>	(Optional) Configures the switch to compare MEDs for paths from neighbors in different autonomous systems. By default, MED comparison is only done among paths in the same AS.
<b>Step 9</b>	<b>bgp bestpath med confed</b> <b>Example:</b> <pre>Device(config-router)# bgp bestpath med confed</pre>	(Optional) Configures the switch to consider the MED in choosing a path from among those advertised by different subautonomous systems within a confederation.
<b>Step 10</b>	<b>bgp deterministic med</b> <b>Example:</b> <pre>Device(config-router)# bgp deterministic med</pre>	(Optional) Configures the switch to consider the MED variable when choosing among routes advertised by different peers in the same AS.
<b>Step 11</b>	<b>bgp default local-preference <i>value</i></b> <b>Example:</b> <pre>Device(config-router)# bgp default local-preference 200</pre>	(Optional) Change the default local preference value. The range is 0 to 4294967295; the default value is 100. The highest local preference value is preferred.
<b>Step 12</b>	<b>maximum-paths <i>number</i></b> <b>Example:</b> <pre>Device(config-router)# maximum-paths 8</pre>	(Optional) Configures the number of paths to be added to the IP routing table. The default is to only enter the best path in the routing table. The range is from 1 to 16. Having multiple paths allows load-balancing among the paths. (Although the switch software allows a maximum of 32 equal-cost routes, the switch hardware will never use more than 16 paths per route.)
<b>Step 13</b>	<b>end</b> <b>Example:</b> <pre>Device(config)# end</pre>	Returns to privileged EXEC mode.
<b>Step 14</b>	<b>show ip bgp</b> <b>Example:</b> <pre>Device# show ip bgp</pre>	Verifies the reset by checking information about the routing table and about BGP neighbors.
<b>Step 15</b>	<b>show ip bgp neighbors</b> <b>Example:</b>	Verifies the reset by checking information about the routing table and about BGP neighbors.

	Command or Action	Purpose
	Device# show ip bgp neighbors	
<b>Step 16</b>	<b>copy running-config startup-config</b> <b>Example:</b> Device# <b>copy running-config startup-config</b>	(Optional) Saves your entries in the configuration file.

## Configuring BGP Filtering with Route Maps

### Procedure

	Command or Action	Purpose
<b>Step 1</b>	<b>configure terminal</b> <b>Example:</b> Device# <b>configure terminal</b>	Enters the global configuration mode.
<b>Step 2</b>	<b>route-map map-tag [permit   deny] [sequence-number]</b> <b>Example:</b> Device(config)# <b>route-map set-peer-address permit</b> <b>10</b>	Creates a route map, and enter route-map configuration mode.
<b>Step 3</b>	<b>set ip next-hop ip-address [...ip-address] [peer-address]</b> <b>Example:</b> Device(config)# <b>set ip next-hop 10.1.1.3</b>	(Optional) Sets a route map to disable next-hop processing <ul style="list-style-type: none"> <li>• In an inbound route map, set the next hop of matching routes to be the neighbor peering address, overriding third-party next hops.</li> <li>• In an outbound route map of a BGP peer, set the next hop to the peering address of the local router, disabling the next-hop calculation.</li> </ul>
<b>Step 4</b>	<b>end</b> <b>Example:</b> Device(config)# <b>end</b>	Returns to privileged EXEC mode.
<b>Step 5</b>	<b>show route-map [map-name]</b> <b>Example:</b> Device# <b>show route-map</b>	Displays all route maps configured or only the one specified to verify configuration.



	Command or Action	Purpose
Step 6	<b>copy running-config startup-config</b> <b>Example:</b> Device# <code>copy running-config startup-config</code>	(Optional) Saves your entries in the configuration file.

## Configuring BGP Filtering by Neighbor

### Procedure

	Command or Action	Purpose
Step 1	<b>configure terminal</b> <b>Example:</b> Device# <code>configure terminal</code>	Enters the global configuration mode.
Step 2	<b>router bgp <i>autonomous-system</i></b> <b>Example:</b> Device(config)# <code>router bgp 109</code>	Enables a BGP routing process, assign it an AS number, and enter router configuration mode.
Step 3	<b>neighbor {<i>ip-address</i>   <i>peer-group name</i>} distribute-list {<i>access-list-number</i>   <i>name</i>} {<i>in</i>   <i>out</i>}</b> <b>Example:</b> Device(config-router)# <code>neighbor 172.16.4.1 distribute-list 39 in</code>	(Optional) Filters BGP routing updates to or from neighbors as specified in an access list. <b>Note</b> You can also use the <b>neighbor prefix-list</b> router configuration command to filter updates, but you cannot use both commands to configure the same BGP peer.
Step 4	<b>neighbor {<i>ip-address</i>   <i>peer-group name</i>} route-map <i>map-tag</i> {<i>in</i>   <i>out</i>}</b> <b>Example:</b> Device(config-router)# <code>neighbor 172.16.70.24 route-map internal-map in</code>	(Optional) Applies a route map to filter an incoming or outgoing route.
Step 5	<b>end</b> <b>Example:</b> Device(config)# <code>end</code>	Returns to privileged EXEC mode.
Step 6	<b>show ip bgp neighbors</b> <b>Example:</b>	Verifies the configuration.

	Command or Action	Purpose
	Device# show ip bgp neighbors	
<b>Step 7</b>	<b>copy running-config startup-config</b> <b>Example:</b> Device# copy running-config startup-config	(Optional) Saves your entries in the configuration file.

## Configuring BGP Filtering by Access Lists and Neighbors

Another method of filtering is to specify an access list filter on both incoming and outbound updates, based on the BGP autonomous system paths. Each filter is an access list based on regular expressions. (See the “Regular Expressions” appendix in the *Cisco IOS Dial Technologies Command Reference, Release 12.4* for more information on forming regular expressions.) To use this method, define an autonomous system path access list, and apply it to updates to and from particular neighbors.

### Procedure

	Command or Action	Purpose
<b>Step 1</b>	<b>configure terminal</b> <b>Example:</b> Device# configure terminal	Enters the global configuration mode.
<b>Step 2</b>	<b>ip as-path access-list <i>access-list-number</i> {permit   deny} <i>as-regular-expressions</i></b> <b>Example:</b> Device(config)# ip as-path access-list 1 deny _65535_	Defines a BGP-related access list.
<b>Step 3</b>	<b>router bgp <i>autonomous-system</i></b> <b>Example:</b> Device(config)# router bgp 110	Enters BGP router configuration mode.
<b>Step 4</b>	<b>neighbor {<i>ip-address</i>   <i>peer-group name</i>} filter-list {<i>access-list-number</i>   <i>name</i>} {in   out} weight <i>weight</i>}</b> <b>Example:</b> Device(config-router)# neighbor 172.16.1.1 filter-list 1 out	Establishes a BGP filter based on an access list.
<b>Step 5</b>	<b>end</b> <b>Example:</b>	Returns to privileged EXEC mode.

	Command or Action	Purpose
	Device(config)# <b>end</b>	
<b>Step 6</b>	<b>show ip bgp neighbors</b> [ <i>paths regular-expression</i> ] <b>Example:</b> Device# show ip bgp neighbors	Verifies the configuration.
<b>Step 7</b>	<b>copy running-config startup-config</b> <b>Example:</b> Device# <b>copy running-config startup-config</b>	(Optional) Saves your entries in the configuration file.

## Configuring Prefix Lists for BGP Filtering

You do not need to specify a sequence number when removing a configuration entry. **Show** commands include the sequence numbers in their output.

Before using a prefix list in a command, you must set up the prefix list.

### Procedure

	Command or Action	Purpose
<b>Step 1</b>	<b>configure terminal</b> <b>Example:</b> Device# <b>configure terminal</b>	Enters the global configuration mode.
<b>Step 2</b>	<b>ip prefix-list</b> <i>list-name</i> [ <b>seq</b> <i>seq-value</i> ] <b>deny</b>   <b>permit</b> <i>network/len</i> [ <b>ge</b> <i>ge-value</i> ] [ <b>le</b> <i>le-value</i> ] <b>Example:</b> Device(config)# ip prefix-list BLUE permit 172.16.1.0/24	Creates a prefix list with an optional sequence number to <b>deny</b> or <b>permit</b> access for matching conditions. You must enter at least one <b>permit</b> or <b>deny</b> clause. <ul style="list-style-type: none"> <li><i>network/len</i> is the network number and length (in bits) of the network mask.</li> <li>(Optional) <b>ge</b> and <b>le</b> values specify the range of the prefix length to be matched. The specified <i>ge-value</i> and <i>le-value</i> must satisfy this condition: <math>len &lt; ge\text{-}value &lt; le\text{-}value &lt; 32</math></li> </ul>
<b>Step 3</b>	<b>ip prefix-list</b> <i>list-name</i> <b>seq</b> <i>seq-value</i> <b>deny</b>   <b>permit</b> <i>network/len</i> [ <b>ge</b> <i>ge-value</i> ] [ <b>le</b> <i>le-value</i> ] <b>Example:</b> Device(config)# ip prefix-list BLUE seq 10 permit 172.24.1.0/24	(Optional) Adds an entry to a prefix list, and assign a sequence number to the entry.

	Command or Action	Purpose
<b>Step 4</b>	<b>end</b> <b>Example:</b>  Device(config)# <b>end</b>	Returns to privileged EXEC mode.
<b>Step 5</b>	<b>show ip prefix list [detail   summary] name [network/len] [seq seq-num] [longer] [first-match]</b> <b>Example:</b>  Device# show ip prefix list summary test	Verifies the configuration by displaying information about a prefix list or prefix list entries.
<b>Step 6</b>	<b>copy running-config startup-config</b> <b>Example:</b>  Device# copy running-config startup-config	(Optional) Saves your entries in the configuration file.

## Configuring BGP Community Filtering

By default, no COMMUNITIES attribute is sent to a neighbor. You can specify that the COMMUNITIES attribute be sent to the neighbor at an IP address by using the **neighbor send-community** router configuration command.

### SUMMARY STEPS

1. **configure terminal**
2. **ip community-list** *community-list-number* {**permit** | **deny**} *community-number*
3. **router bgp** *autonomous-system*
4. **neighbor** {*ip-address* | *peer-group name*} **send-community**
5. **set comm-list** *list-num* **delete**
6. **exit**
7. **ip bgp-community new-format**
8. **end**
9. **show ip bgp community**
10. **copy running-config startup-config**

### DETAILED STEPS

	Command or Action	Purpose
<b>Step 1</b>	<b>configure terminal</b> <b>Example:</b>  Device# <b>configure terminal</b>	Enters the global configuration mode.

	Command or Action	Purpose
Step 2	<p><b>ip community-list</b> <i>community-list-number</i> {<b>permit</b>   <b>deny</b>} <i>community-number</i></p> <p><b>Example:</b></p> <pre>Device(config)# ip community-list 1 permit 50000:10</pre>	<p>Creates a community list, and assigns it a number.</p> <ul style="list-style-type: none"> <li>The <i>community-list-number</i> is an integer from 1 to 99 that identifies one or more permit or deny groups of communities.</li> <li>The <i>community-number</i> is the number configured by a <b>set community</b> route-map configuration command.</li> </ul>
Step 3	<p><b>router bgp</b> <i>autonomous-system</i></p> <p><b>Example:</b></p> <pre>Device(config)# router bgp 108</pre>	Enters BGP router configuration mode.
Step 4	<p><b>neighbor</b> {<i>ip-address</i>   <i>peer-group name</i>} <b>send-community</b></p> <p><b>Example:</b></p> <pre>Device(config-router)# neighbor 172.16.70.23 send-community</pre>	Specifies that the COMMUNITIES attribute be sent to the neighbor at this IP address.
Step 5	<p><b>set comm-list</b> <i>list-num</i> <b>delete</b></p> <p><b>Example:</b></p> <pre>Device(config-router)# set comm-list 500 delete</pre>	(Optional) Removes communities from the community attribute of an inbound or outbound update that match a standard or extended community list specified by a route map.
Step 6	<p><b>exit</b></p> <p><b>Example:</b></p> <pre>Device(config-router)# end</pre>	Returns to global configuration mode.
Step 7	<p><b>ip bgp-community new-format</b></p> <p><b>Example:</b></p> <pre>Device(config)# ip bgp-community new format</pre>	<p>(Optional) Displays and parses BGP communities in the format AA:NN.</p> <p>A BGP community is displayed in a two-part format 2 bytes long. The Cisco default community format is in the format NNA. In the most recent RFC for BGP, a community takes the form AA:NN, where the first part is the AS number and the second part is a 2-byte number.</p>
Step 8	<p><b>end</b></p> <p><b>Example:</b></p> <pre>Device(config)# end</pre>	Returns to privileged EXEC mode.
Step 9	<p><b>show ip bgp community</b></p> <p><b>Example:</b></p> <pre>Device# show ip bgp community</pre>	Verifies the configuration.

	Command or Action	Purpose
<b>Step 10</b>	<b>copy running-config startup-config</b> <b>Example:</b> Device# <code>copy running-config startup-config</code>	(Optional) Saves your entries in the configuration file.

## Configuring BGP Neighbors and Peer Groups

To assign configuration options to an individual neighbor, specify any of these router configuration commands by using the neighbor IP address. To assign the options to a peer group, specify any of the commands by using the peer group name. You can disable a BGP peer or peer group without removing all the configuration information by using the **neighbor shutdown** router configuration command.

### Procedure

	Command or Action	Purpose
<b>Step 1</b>	<b>configure terminal</b> <b>Example:</b> Device# <code>configure terminal</code>	Enters the global configuration mode.
<b>Step 2</b>	<b>router bgp</b> <i>autonomous-system</i>	Enters BGP router configuration mode.
<b>Step 3</b>	<b>neighbor</b> <i>peer-group-name</i> <b>peer-group</b>	Creates a BGP peer group.
<b>Step 4</b>	<b>neighbor</b> <i>ip-address</i> <b>peer-group</b> <i>peer-group-name</i>	Makes a BGP neighbor a member of the peer group.
<b>Step 5</b>	<b>neighbor</b> { <i>ip-address</i>   <i>peer-group-name</i> } <b>remote-as</b> <i>number</i>	Specifies a BGP neighbor. If a peer group is not configured with a <b>remote-as</b> <i>number</i> , use this command to create peer groups containing EBGP neighbors. The range is 1 to 65535.
<b>Step 6</b>	<b>neighbor</b> { <i>ip-address</i>   <i>peer-group-name</i> } <b>description</b> <i>text</i>	(Optional) Associates a description with a neighbor.
<b>Step 7</b>	<b>neighbor</b> { <i>ip-address</i>   <i>peer-group-name</i> } <b>default-originate</b> [ <b>route-map</b> <i>map-name</i> ]	(Optional) Allows a BGP speaker (the local router) to send the default route 0.0.0.0 to a neighbor for use as a default route.
<b>Step 8</b>	<b>neighbor</b> { <i>ip-address</i>   <i>peer-group-name</i> } <b>send-community</b>	(Optional) Specifies that the COMMUNITIES attribute be sent to the neighbor at this IP address.
<b>Step 9</b>	<b>neighbor</b> { <i>ip-address</i>   <i>peer-group-name</i> } <b>update-source</b> <i>interface</i>	(Optional) Allows internal BGP sessions to use any operational interface for TCP connections.
<b>Step 10</b>	<b>neighbor</b> { <i>ip-address</i>   <i>peer-group-name</i> } <b>ebgp-multihop</b>	(Optional) Allows BGP sessions, even when the neighbor is not on a directly connected segment. The multihop

	Command or Action	Purpose
		session is not established if the only route to the multihop peer's address is the default route (0.0.0.0).
Step 11	<b>neighbor</b> { <i>ip-address</i>   <i>peer-group-name</i> } <b>local-as</b> <i>number</i>	(Optional) Specifies an AS number to use as the local AS. The range is 1 to 65535.
Step 12	<b>neighbor</b> { <i>ip-address</i>   <i>peer-group-name</i> } <b>advertisement-interval</b> <i>seconds</i>	(Optional) Sets the minimum interval between sending BGP routing updates.
Step 13	<b>neighbor</b> { <i>ip-address</i>   <i>peer-group-name</i> } <b>maximum-prefix</b> <i>maximum</i> [ <i>threshold</i> ]	(Optional) Controls how many prefixes can be received from a neighbor. The range is 1 to 4294967295. The <i>threshold</i> (optional) is the percentage of maximum at which a warning message is generated. The default is 75 percent.
Step 14	<b>neighbor</b> { <i>ip-address</i>   <i>peer-group-name</i> } <b>next-hop-self</b>	(Optional) Disables next-hop processing on the BGP updates to a neighbor.
Step 15	<b>neighbor</b> { <i>ip-address</i>   <i>peer-group-name</i> } <b>password</b> <i>string</i>	(Optional) Sets MD5 authentication on a TCP connection to a BGP peer. The same password must be configured on both BGP peers, or the connection between them is not made.
Step 16	<b>neighbor</b> { <i>ip-address</i>   <i>peer-group-name</i> } <b>route-map</b> <i>map-name</i> { <b>in</b>   <b>out</b> }	(Optional) Applies a route map to incoming or outgoing routes.
Step 17	<b>neighbor</b> { <i>ip-address</i>   <i>peer-group-name</i> } <b>send-community</b>	(Optional) Specifies that the COMMUNITIES attribute be sent to the neighbor at this IP address.
Step 18	<b>neighbor</b> { <i>ip-address</i>   <i>peer-group-name</i> } <b>timers</b> <i>keepalive holdtime</i>	(Optional) Sets timers for the neighbor or peer group. <ul style="list-style-type: none"> <li>The <i>keepalive</i> interval is the time within which keepalive messages are sent to peers. The range is 1 to 4294967295 seconds; the default is 60.</li> <li>The <i>holdtime</i> is the interval after which a peer is declared inactive after not receiving a keepalive message from it. The range is 1 to 4294967295 seconds; the default is 180.</li> </ul>
Step 19	<b>neighbor</b> { <i>ip-address</i>   <i>peer-group-name</i> } <b>weight</b> <i>weight</i>	(Optional) Specifies a weight for all routes from a neighbor.
Step 20	<b>neighbor</b> { <i>ip-address</i>   <i>peer-group-name</i> } <b>distribute-list</b> { <i>access-list-number</i>   <i>name</i> } { <b>in</b>   <b>out</b> }	(Optional) Filter BGP routing updates to or from neighbors, as specified in an access list.
Step 21	<b>neighbor</b> { <i>ip-address</i>   <i>peer-group-name</i> } <b>filter-list</b> <i>access-list-number</i> { <b>in</b>   <b>out</b>   <b>weight</b> <i>weight</i> }	(Optional) Establish a BGP filter.
Step 22	<b>neighbor</b> { <i>ip-address</i>   <i>peer-group-name</i> } <b>version</b> <i>value</i>	(Optional) Specifies the BGP version to use when communicating with a neighbor.
Step 23	<b>neighbor</b> { <i>ip-address</i>   <i>peer-group-name</i> } <b>soft-reconfiguration</b> <b>inbound</b>	(Optional) Configures the software to start storing received updates.

	Command or Action	Purpose
<b>Step 24</b>	<b>end</b> <b>Example:</b>  Device(config)# <b>end</b>	Returns to privileged EXEC mode.
<b>Step 25</b>	<b>show ip bgp neighbors</b>	Verifies the configuration.
<b>Step 26</b>	<b>copy running-config startup-config</b> <b>Example:</b>  Device# <b>copy running-config startup-config</b>	(Optional) Saves your entries in the configuration file.

## Configuring Aggregate Addresses in a Routing Table

### Procedure

	Command or Action	Purpose
<b>Step 1</b>	<b>configure terminal</b> <b>Example:</b>  Device# <b>configure terminal</b>	Enters the global configuration mode.
<b>Step 2</b>	<b>router bgp <i>autonomous-system</i></b> <b>Example:</b>  Device(config)# <b>router bgp 106</b>	Enters BGP router configuration mode.
<b>Step 3</b>	<b>aggregate-address <i>address mask</i></b> <b>Example:</b>  Device(config-router)# <b>aggregate-address 10.0.0.0 255.0.0.0</b>	Creates an aggregate entry in the BGP routing table. The aggregate route is advertised as coming from the AS, and the atomic aggregate attribute is set to indicate that information might be missing.
<b>Step 4</b>	<b>aggregate-address <i>address mask as-set</i></b> <b>Example:</b>  Device(config-router)# <b>aggregate-address 10.0.0.0 255.0.0.0 as-set</b>	(Optional) Generates AS set path information. This command creates an aggregate entry following the same rules as the previous command, but the advertised path will be an AS_SET consisting of all elements contained in all paths. Do not use this keyword when aggregating many paths because this route must be continually withdrawn and updated.
<b>Step 5</b>	<b>aggregate-address <i>address-mask summary-only</i></b> <b>Example:</b>	(Optional) Advertises summary addresses only.



	Command or Action	Purpose
	Device(config-router)# aggregate-address 10.0.0.0 255.0.0.0 summary-only	
<b>Step 6</b>	<b>aggregate-address address mask suppress-map map-name</b>  <b>Example:</b>  Device(config-router)# aggregate-address 10.0.0.0 255.0.0.0 suppress-map map1	(Optional) Suppresses selected, more specific routes.
<b>Step 7</b>	<b>aggregate-address address mask advertise-map map-name</b>  <b>Example:</b>  Device(config-router)# aggregate-address 10.0.0.0 255.0.0.0 advertise-map map2	(Optional) Generates an aggregate based on conditions specified by the route map.
<b>Step 8</b>	<b>aggregate-address address mask attribute-map map-name</b>  <b>Example:</b>  Device(config-router)# aggregate-address 10.0.0.0 255.0.0.0 attribute-map map3	(Optional) Generates an aggregate with attributes specified in the route map.
<b>Step 9</b>	<b>end</b>  <b>Example:</b>  Device(config)# end	Returns to privileged EXEC mode.
<b>Step 10</b>	<b>show ip bgp neighbors [advertised-routes]</b>  <b>Example:</b>  Device# show ip bgp neighbors	Verifies the configuration.
<b>Step 11</b>	<b>copy running-config startup-config</b>  <b>Example:</b>  Device# copy running-config startup-config	(Optional) Saves your entries in the configuration file.

## Configuring Routing Domain Confederations

You must specify a confederation identifier that acts as the autonomous system number for the group of autonomous systems.

## Procedure

	Command or Action	Purpose
<b>Step 1</b>	<b>configure terminal</b> <b>Example:</b>  Device# <b>configure terminal</b>	Enters the global configuration mode.
<b>Step 2</b>	<b>router bgp <i>autonomous-system</i></b> <b>Example:</b>  Device(config)# <b>router bgp 100</b>	Enters BGP router configuration mode.
<b>Step 3</b>	<b>bgp confederation identifier <i>autonomous-system</i></b> <b>Example:</b>  Device(config)# <b>bgp confederation identifier 50007</b>	Configures a BGP confederation identifier.
<b>Step 4</b>	<b>bgp confederation peers <i>autonomous-system</i></b> <b>[<i>autonomous-system ...</i>]</b> <b>Example:</b>  Device(config)# <b>bgp confederation peers 51000 51001</b> <b>51002</b>	Specifies the autonomous systems that belong to the confederation and that will be treated as special EBGP peers.
<b>Step 5</b>	<b>end</b> <b>Example:</b>  Device(config)# <b>end</b>	Returns to privileged EXEC mode.
<b>Step 6</b>	<b>show ip bgp neighbor</b> <b>Example:</b>  Device# <b>show ip bgp neighbor</b>	Verifies the configuration.
<b>Step 7</b>	<b>show ip bgp network</b> <b>Example:</b>  Device# <b>show ip bgp network</b>	Verifies the configuration.
<b>Step 8</b>	<b>copy running-config startup-config</b> <b>Example:</b>  Device# <b>copy running-config startup-config</b>	(Optional) Saves your entries in the configuration file.

## Configuring BGP Route Reflectors

### Procedure

	Command or Action	Purpose
<b>Step 1</b>	<b>configure terminal</b> <b>Example:</b> Device# <code>configure terminal</code>	Enters the global configuration mode.
<b>Step 2</b>	<b>router bgp <i>autonomous-system</i></b> <b>Example:</b> Device(config)# <code>router bgp 101</code>	Enters BGP router configuration mode.
<b>Step 3</b>	<b>neighbor {<i>ip-address</i>   <i>peer-group-name</i>}</b> <b>route-reflector-client</b> <b>Example:</b> Device(config-router)# <code>neighbor 172.16.70.24 route-reflector-client</code>	Configures the local router as a BGP route reflector and the specified neighbor as a client.
<b>Step 4</b>	<b>bgp cluster-id <i>cluster-id</i></b> <b>Example:</b> Device(config-router)# <code>bgp cluster-id 10.0.1.2</code>	(Optional) Configures the cluster ID if the cluster has more than one route reflector.
<b>Step 5</b>	<b>no bgp client-to-client reflection</b> <b>Example:</b> Device(config-router)# <code>no bgp client-to-client reflection</code>	(Optional) Disables client-to-client route reflection. By default, the routes from a route reflector client are reflected to other clients. However, if the clients are fully meshed, the route reflector does not need to reflect routes to clients.
<b>Step 6</b>	<b>end</b> <b>Example:</b> Device(config)# <code>end</code>	Returns to privileged EXEC mode.
<b>Step 7</b>	<b>show ip bgp</b> <b>Example:</b> Device# <code>show ip bgp</code>	Verifies the configuration. Displays the originator ID and the cluster-list attributes.
<b>Step 8</b>	<b>copy running-config startup-config</b> <b>Example:</b>	(Optional) Saves your entries in the configuration file.

	Command or Action	Purpose
	Device# <code>copy running-config startup-config</code>	

## Configuring Route Dampening

### Procedure

	Command or Action	Purpose
<b>Step 1</b>	<b>configure terminal</b> <b>Example:</b> Device# <code>configure terminal</code>	Enters the global configuration mode.
<b>Step 2</b>	<b>router bgp <i>autonomous-system</i></b> <b>Example:</b> Device(config)# <code>router bgp 100</code>	Enters BGP router configuration mode.
<b>Step 3</b>	<b>bgp dampening</b> <b>Example:</b> Device(config-router)# <code>bgp dampening</code>	Enables BGP route dampening.
<b>Step 4</b>	<b>bgp dampening <i>half-life reuse suppress max-suppress</i></b> <b>[route-map <i>map</i>]</b> <b>Example:</b> Device(config-router)# <code>bgp dampening 30 1500 10000 120</code>	(Optional) Changes the default values of route dampening factors.
<b>Step 5</b>	<b>end</b> <b>Example:</b> Device(config)# <code>end</code>	Returns to privileged EXEC mode.
<b>Step 6</b>	<b>show ip bgp flap-statistics</b> [ <b>{<i>regex</i> <i>regex</i>}</b>   <b>{<i>filter-list</i> <i>list</i>}</b>   <b>{<i>address mask</i> [<i>longer-prefix</i>]}</b> ] <b>Example:</b> Device# <code>show ip bgp flap-statistics</code>	(Optional) Monitors the flaps of all paths that are flapping. The statistics are deleted when the route is not suppressed and is stable.
<b>Step 7</b>	<b>show ip bgp dampened-paths</b> <b>Example:</b>	(Optional) Displays the dampened routes, including the time remaining before they are suppressed.

	Command or Action	Purpose
	Device# show ip bgp dampened-paths	
<b>Step 8</b>	<b>clear ip bgp flap-statistics</b> [{ <i>regexp regexp</i> }   { <i>filter-list list</i> }   { <i>address mask [longer-prefix]</i> }] <b>Example:</b> Device# clear ip bgp flap-statistics	(Optional) Clears BGP flap statistics to make it less likely that a route will be dampened.
<b>Step 9</b>	<b>clear ip bgp dampening</b> <b>Example:</b> Device# clear ip bgp dampening	(Optional) Clears route dampening information, and unsuppress the suppressed routes.
<b>Step 10</b>	<b>copy running-config startup-config</b> <b>Example:</b> Device# copy running-config startup-config	(Optional) Saves your entries in the configuration file.

## Monitoring and Maintaining BGP

You can remove all contents of a particular cache, table, or database. This might be necessary when the contents of the particular structure have become or are suspected to be invalid.

You can display specific statistics, such as the contents of BGP routing tables, caches, and databases. You can use the information to get resource utilization and solve network problems. You can also display information about node reachability and discover the routing path your device's packets are taking through the network.

The table given below lists the privileged EXEC commands for clearing and displaying BGP. For explanations of the display fields, see the *Cisco IOS IP Command Reference, Volume 2 of 3: Routing Protocols, Release 12.4*.

**Table 11: IP BGP Clear and Show Commands**

<b>clear ip bgp address</b>	Resets a particular BGP connection.
<b>clear ip bgp *</b>	Resets all BGP connections.
<b>clear ip bgp peer-group tag</b>	Removes all members of a BGP peer group.
<b>show ip bgp prefix</b>	Displays peer groups and peers not in peer groups to which the prefix has been advertised. Also displays prefix attributes such as the next hop and the local prefix.
<b>show ip bgp cidr-only</b>	Displays all BGP routes that contain subnet and supernet network masks.
<b>show ip bgp community [community-number] [exact]</b>	Displays routes that belong to the specified communities.

<b>show ip bgp community-list</b> <i>community-list-number</i> [ <b>exact-match</b> ]	Displays routes that are permitted by the community list.
<b>show ip bgp filter-list</b> <i>access-list-number</i>	Displays routes that are matched by the specified AS path access list.
<b>show ip bgp inconsistent-as</b>	Displays the routes with inconsistent originating autonomous systems.
<b>show ip bgp regexp</b> <i>regular-expression</i>	Displays the routes that have an AS path that matches the specified regular expression entered on the command line.
<b>show ip bgp</b>	Displays the contents of the BGP routing table.
<b>show ip bgp neighbors</b> [ <i>address</i> ]	Displays detailed information on the BGP and TCP connections to individual neighbors.
<b>show ip bgp neighbors</b> [ <i>address</i> ] [ <b>advertised-routes</b>   <b>dampened-routes</b>   <b>flap-statistics</b>   <b>paths</b> <i>regular-expression</i>   <b>received-routes</b>   <b>routes</b> ]	Displays routes learned from a particular BGP neighbor.
<b>show ip bgp paths</b>	Displays all BGP paths in the database.
<b>show ip bgp peer-group</b> [ <i>tag</i> ] [ <b>summary</b> ]	Displays information about BGP peer groups.
<b>show ip bgp summary</b>	Displays the status of all BGP connections.

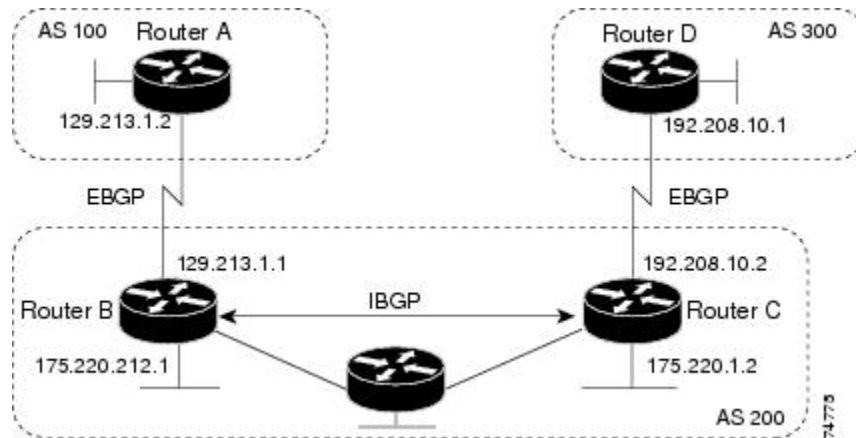
The **bgp log-neighbor changes** command is enabled by default. It allows to log messages that are generated when a BGP neighbor resets, comes up, or goes down.

## Configuration Examples for BGP

### Example: Configuring BGP on Routers

These examples show how to configure BGP on the routers in the figure below,

Figure 6: EBGP, IBGP, and Multiple Autonomous Systems



Router A:

```
Device(config)# router bgp 100
Device(config-router)# neighbor 129.213.1.1 remote-as 200
```

Router B:

```
Device(config)# router bgp 200
Device(config-router)# neighbor 129.213.1.2 remote-as 100
Device(config-router)# neighbor 175.220.1.2 remote-as 200
```

Router C:

```
Device(config)# router bgp 200
Device(config-router)# neighbor 175.220.212.1 remote-as 200
Device(config-router)# neighbor 192.208.10.1 remote-as 300
```

Router D:

```
Device(config)# router bgp 300
Device(config-router)# neighbor 192.208.10.2 remote-as 200
```

To verify that BGP peers are running, use the `show ip bgp neighbors` privileged EXEC command. This is the output of this command on Router A:

```
Device# show ip bgp neighbors

BGP neighbor is 129.213.1.1, remote AS 200, external link
  BGP version 4, remote router ID 175.220.212.1
  BGP state = established, table version = 3, up for 0:10:59
  Last read 0:00:29, hold time is 180, keepalive interval is 60 seconds
  Minimum time between advertisement runs is 30 seconds
  Received 2828 messages, 0 notifications, 0 in queue
  Sent 2826 messages, 0 notifications, 0 in queue
  Connections established 11; dropped 10
```

Anything other than `state = established` means that the peers are not running. The remote router ID is the highest IP address on that router (or the highest loopback interface). Each time the table is updated with new information, the table version number increments. A table version number that continually increments means that a route is flapping, causing continual routing updates.

For exterior protocols, a reference to an IP network from the **network** router configuration command controls only which networks are advertised. This is in contrast to Interior Gateway Protocols (IGPs), such as EIGRP, which also use the **network** command to specify where to send updates.

For detailed descriptions of BGP configuration, see the “IP Routing Protocols” part of the *Cisco IOS IP Configuration Guide, Release 12.4*. For details about specific commands, see the *Cisco IOS IP Command Reference, Volume 2 of 3: Routing Protocols, Release 12.4*.

## Information About ISO CLNS Routing

### Connectionless Routing

The International Organization for Standardization (ISO) Connectionless Network Service (CLNS) protocol is a standard for the network layer of the Open System Interconnection (OSI) model. Addresses in the ISO network architecture are referred to as network service access point (NSAP) addresses and network entity titles (NETs). Each node in an OSI network has one or more NETs. In addition, each node has many NSAP addresses.

When you enable connectionless routing on the Device by using the **clns routing** global configuration command, the Device makes only forwarding decisions, with no routing-related functionality. For dynamic routing, you must also enable a routing protocol. The Device supports the Intermediate System-to-Intermediate System (IS-IS) dynamic routing protocol that is based on the OSI routing protocol for ISO CLNS networks.

When dynamically routing, you use IS-IS. This routing protocol supports the concept of areas. Within an area, all routers know how to reach all the system IDs. Between areas, routers know how to reach the proper area. IS-IS supports two levels of routing: station routing (within an area) and area routing (between areas).

The key difference between the ISO IGRP and IS-IS NSAP addressing schemes is in the definition of area addresses. Both use the system ID for Level 1 routing (routing within an area). However, they differ in the way addresses are specified for area routing. An ISO IGRP NSAP address includes three separate fields for routing: the domain, area, and system ID. An IS-IS address includes two fields: a single continuous area field (comprising the domain and area fields) and the system ID.

**Note**

For more detailed information about ISO CLNS, see the *Cisco IOS Apollo Domain, Banyan VINES, DECnet, ISO CLNS and XNS Configuration Guide, Release 12.4*. For complete syntax and usage information for the commands used in this chapter, see the *Cisco IOS Apollo Domain, Banyan VINES, DECnet, ISO CLNS and XNS Command Reference, Release 12.4*, use the IOS command reference master index, or search online.

### Information About IS-IS Routing

IS-IS is an ISO dynamic routing protocol (described in ISO 105890). Compared to other routing protocols, to enable IS-IS you need to create an IS-IS routing process and assign it to a specific interface, rather than to a network. You can specify more than one IS-IS routing process per Layer 3 device by using the multiarea IS-IS configuration syntax. You then need to configure the parameters for each instance of the IS-IS routing process.

Small IS-IS networks are built as a single area that includes all the devices in the network. As the network grows larger, the network reorganizes itself into a backbone area made up of all the connected set of Level 2



devices still connected to their local areas. Within a local area, devices know how to reach all system IDs. Between areas, devices know how to reach the backbone, and the backbone devices know how to reach other areas.

Devices establish Level 1 adjacencies to perform routing within a local area (station routing). Devices establish Level 2 adjacencies to perform routing between Level 1 areas (area routing).

A single Cisco device can participate in routing in up to 29 areas and can perform Level 2 routing in the backbone. In general, each routing process corresponds to an area. By default, the first instance of the routing process that is configured performs both Level 1 and Level 2 routing. You can configure additional device instances, which are automatically treated as Level 1 areas. You must configure the parameters for each instance of the IS-IS routing process individually.

For IS-IS multiarea routing, you can configure only one process to perform Level 2 routing, although you can define up to 29 Level 1 areas for each Cisco unit. If Level 2 routing is configured on any process, all additional processes are automatically configured as Level 1. You can configure this process to perform Level 1 routing at the same time. If Level 2 routing is not desired for a device instance, remove the Level 2 capability using the **is-type** command in global configuration mode. Use the **is-type** command also to configure a different device instance as a Level 2 device.

## Nonstop Forwarding Awareness

The integrated IS-IS Nonstop Forwarding (NSF) Awareness feature is supported for IPv4G. The feature allows customer premises equipment (CPE) devices that are NSF-aware to help NSF-capable devices perform nonstop forwarding of packets. The local device is not necessarily performing NSF, but its NSF awareness capability allows the integrity and accuracy of the routing database and the link-state database on the neighboring NSF-capable device to be maintained during the switchover process.

The integrated IS-IS Nonstop Forwarding (NSF) Awareness feature is automatically enabled and requires no configuration.

## IS-IS Global Parameters

The following are the optional IS-IS global parameters that you can configure:

- You can force a default route into an IS-IS routing domain by configuring a default route that is controlled by a route map. You can also specify the other filtering options that are configurable under a route map.
- You can configure the device to ignore IS-IS link-state packets (LSPs) that are received with internal checksum errors, or to purge corrupted LSPs, and cause the initiator of the LSP to regenerate it.
- You can assign passwords to areas and domains.
- You can create aggregate addresses that are represented in the routing table by a summary address (based on route summarization). Routes learned from other routing protocols can also be summarized. The metric used to advertise the summary is the smallest metric of all the specific routes.
- You can set an overload bit.
- You can configure the LSP refresh interval and the maximum time that an LSP can remain in the device database without a refresh.
- You can set the throttling timers for LSP generation, shortest path first computation, and partial route computation.

- You can configure the device to generate a log message when an IS-IS adjacency changes state (Up or Down).
- If a link in the network has a maximum transmission unit (MTU) size of less than 1500 bytes, you can lower the LSP MTU so that routing still occurs.
- You can use the partition avoidance device configuration command to prevent an area from becoming partitioned when full connectivity is lost among a Level 1-2 border device, adjacent Level 1 devices, and end hosts.

## IS-IS Interface Parameters

You can optionally configure certain interface-specific IS-IS parameters independently from other attached devices. However, if you change default value, such as multipliers and time intervals, it makes sense to also change them on multiple devices and interfaces. Most of the interface parameters can be configured for level 1, level 2, or both.

The following are the interface-level parameters that you can configure:

- The default metric on the interface that is used as a value for the IS-IS metric and assigned when quality of service (QoS) routing is not performed.
- The hello interval (length of time between hello packets sent on the interface) or the default hello packet multiplier used on the interface to determine the hold time sent in IS-IS hello packets. The hold time determines how long a neighbor waits for another hello packet before declaring the neighbor down. This determines how quickly a failed link or neighbor is detected so that routes can be recalculated. Change the hello multiplier in circumstances where hello packets are lost frequently and IS-IS adjacencies are failing unnecessarily. You can raise the hello multiplier and lower the hello interval correspondingly to make the hello protocol more reliable, without increasing the time required to detect a link failure.
- Other time intervals:
  - Complete sequence number PDU (CSNP) interval—CSNPs are sent by the designated device to maintain database synchronization.
  - Retransmission interval—This is the time between retransmission of IS-IS LSPs for point-to-point links.
  - IS-IS LSP retransmission throttle interval—This is the maximum rate (number of milliseconds between packets) at which IS-IS LSPs are resent on point-to-point links. This interval is different from the retransmission interval, which is the time between successive retransmissions of the same LSP.
- Designated device-election priority, which allows you to reduce the number of adjacencies required on a multiaccess network, which in turn reduces the amount of routing protocol traffic and the size of the topology database.
- The interface circuit type, which is the type of adjacency required for neighbors on the specified interface.
- Password authentication for the interface.

# How to Configure ISO CLNS Routing

## Default IS-IS Configuration

*Table 12: Default IS-IS Configuration*

Feature	Default Setting
Ignore link-state PDU (LSP) errors	Enabled.
IS-IS type	Conventional IS-IS—The router acts as both a Level 1 (station) and a Level 2 (area) router.  Multiarea IS-IS—The first instance of the IS-IS routing process is a Level 1-2 router. Remaining instances are Level 1 routers.
Default-information originate	Disabled.
Log IS-IS adjacency state changes.	Disabled.
LSP generation throttling timers	Maximum interval between two consecutive occurrences—5 seconds.  Initial LSP generation delay—50 ms.  Hold time between the first and second LSP generation—5000 ms.
LSP maximum lifetime (without a refresh)	1200 seconds (20 minutes) before the LSP packet is deleted.
LSP refresh interval	Every 900 seconds (15 minutes).
Maximum LSP packet size	1497 bytes.
NSF Awareness	Enabled. Allows Layer 3 devices to continue forwarding packets from a neighboring Nonstop Forwarding-capable router during hardware or software changes.
Partial route computation (PRC) throttling timers	Maximum PRC wait interval—5 seconds.  Initial PRC calculation delay after a topology change—2000 ms.  Hold time between the first and second PRC calculation—5000 ms.
Partition avoidance	Disabled.
Password	No area or domain password is defined, and authentication is disabled.

Feature	Default Setting
Set-overload-bit	Disabled. When enabled, if no arguments are entered, the overload bit is set immediately and remains set until you enter the <b>no set-overload-bit</b> command.
Shortest path first (SPF) throttling timers	Maximum interval between consecutive SFPs—10 seconds. Initial SFP calculation after a topology change—5500 ms. Hold time between the first and second SFP calculation—5500 ms.
Summary-address	Disabled.

## Enabling IS-IS Routing

To enable IS-IS, you specify a name and NET for each routing process. You then enable IS-IS routing on the interface and specify the area for each instance of the routing process.

### Procedure

	Command or Action	Purpose
<b>Step 1</b>	<b>configure terminal</b> <b>Example:</b>  Device# <code>configure terminal</code>	Enters the global configuration mode.
<b>Step 2</b>	<b>clns routing</b> <b>Example:</b>  Device(config)# <code>clns routing</code>	Enables ISO connectionless routing on the switch.
<b>Step 3</b>	<b>router isis [area tag]</b> <b>Example:</b>  Device(config)# <code>router isis tag1</code>	Enables the IS-IS routing for the specified routing process and enter IS-IS routing configuration mode.  (Optional) Use the <i>area tag</i> argument to identify the area to which the IS-IS router is assigned. You must enter a value if you are configuring multiple IS-IS areas.  The first IS-IS instance configured is Level 1-2 by default. Later instances are automatically Level 1. You can change the level of routing by using the <b>is-type</b> global configuration command.
<b>Step 4</b>	<b>net network-entity-title</b> <b>Example:</b>	Configures the NETs for the routing process. If you are configuring multiarea IS-IS, specify a NET for each routing process. You can specify a name for a NET and for an address.

	Command or Action	Purpose
	<pre>Device(config-router)# net 47.0004.004d.0001.0001.0c11.1111.00</pre>	
<b>Step 5</b>	<p><b>is-type</b> {<b>level-1</b>   <b>level-1-2</b>   <b>level-2-only</b>}</p> <p><b>Example:</b></p> <pre>Device(config-router)# is-type level-2-only</pre>	<p>(Optional) Configures the router to act as a Level 1 (station) router, a Level 2 (area) router for multi-area routing, or both (the default):</p> <ul style="list-style-type: none"> <li>• <b>level-1</b>—act as a station router only</li> <li>• <b>level-1-2</b>—act as both a station router and an area router</li> <li>• <b>level 2</b>—act as an area router only</li> </ul>
<b>Step 6</b>	<p><b>exit</b></p> <p><b>Example:</b></p> <pre>Device(config-router)# end</pre>	Returns to global configuration mode.
<b>Step 7</b>	<p><b>interface</b> <i>interface-id</i></p> <p><b>Example:</b></p> <pre>Device(config)# interface gigabitethernet 1/0/1</pre>	Specifies an interface to route IS-IS, and enter interface configuration mode. If the interface is not already configured as a Layer 3 interface, enter the <b>no switchport</b> command to put it into Layer 3 mode.
<b>Step 8</b>	<p><b>ip router isis</b> [<i>area tag</i>]</p> <p><b>Example:</b></p> <pre>Device(config-if)# ip router isis tag1</pre>	Configures an IS-IS routing process for ISO CLNS on the interface and attach an area designator to the routing process.
<b>Step 9</b>	<p><b>clns router isis</b> [<i>area tag</i>]</p> <p><b>Example:</b></p> <pre>Device(config-if)# clns router isis tag1</pre>	Enables ISO CLNS on the interface.
<b>Step 10</b>	<p><b>ip address</b> <i>ip-address-mask</i></p> <p><b>Example:</b></p> <pre>Device(config-if)# ip address 10.0.0.5 255.255.255.0</pre>	Define the IP address for the interface. An IP address is required on all interfaces in an area enabled for IS-IS if any one interface is configured for IS-IS routing.
<b>Step 11</b>	<p><b>end</b></p> <p><b>Example:</b></p> <pre>Device(config)# end</pre>	Returns to privileged EXEC mode.
<b>Step 12</b>	<p><b>show isis</b> [<i>area tag</i>] <b>database detail</b></p> <p><b>Example:</b></p>	Verifies your entries.

	Command or Action	Purpose
	Device# show isis database detail	
<b>Step 13</b>	<b>copy running-config startup-config</b> <b>Example:</b> Device# copy running-config startup-config	(Optional) Saves your entries in the configuration file.

## Configuring IS-IS Global Parameters

### Procedure

	Command or Action	Purpose
<b>Step 1</b>	<b>configure terminal</b> <b>Example:</b> Device# configure terminal	Enters the global configuration mode.
<b>Step 2</b>	<b>clns routing</b> <b>Example:</b> Device(config)# clns routing	Enables ISO connectionless routing on the switch.
<b>Step 3</b>	<b>router isis</b> <b>Example:</b> Device(config)# router isis	Specifies the IS-IS routing protocol and enters router configuration mode.
<b>Step 4</b>	<b>default-information originate [route-map map-name]</b> <b>Example:</b> Device(config-router)# default-information originate route-map map1	(Optional) Forces a default route into the IS-IS routing domain. If you enter <b>route-map map-name</b> , the routing process generates the default route if the route map is satisfied.
<b>Step 5</b>	<b>ignore-lsp-errors</b> <b>Example:</b> Device(config-router)# ignore-lsp-errors	(Optional) Configures the router to ignore LSPs with internal checksum errors, instead of purging the LSPs. This command is enabled by default (corrupted LSPs are dropped). To purge the corrupted LSPs, enter the <b>no ignore-lsp-errors</b> router configuration command.
<b>Step 6</b>	<b>area-password password</b> <b>Example:</b> Device(config-router)# area-password lpassword	(Optional) Configures the area authentication password, which is inserted in Level 1 (station router level) LSPs.

	Command or Action	Purpose
Step 7	<p><b>domain-password</b> <i>password</i></p> <p><b>Example:</b></p> <pre>Device(config-router)# domain-password 2password</pre>	(Optional) Configures the routing domain authentication password, which is inserted in Level 2 (area router level) LSPs.
Step 8	<p><b>summary-address</b> <i>address mask [level-1   level-1-2   level-2]</i></p> <p><b>Example:</b></p> <pre>Device(config-router)# summary-address 10.1.0.0 255.255.0.0 level-2</pre>	(Optional) Creates a summary of addresses for a given level.
Step 9	<p><b>set-overload-bit</b> [<b>on-startup</b> {<i>seconds</i>   <b>wait-for-bgp</b>}]</p> <p><b>Example:</b></p> <pre>Device(config-router)# set-overload-bit on-startup wait-for-bgp</pre>	<p>(Optional) Sets an overload bit (a hippity bit) to allow other routers to ignore the router in their shortest path first (SPF) calculations if the router is having problems.</p> <ul style="list-style-type: none"> <li>• (Optional) <b>on-startup</b>—sets the overload bit only on startup. If <b>on-startup</b> is not specified, the overload bit is set immediately and remains set until you enter the <b>no set-overload-bit</b> command. If <b>on-startup</b> is specified, you must enter a number of seconds or <b>wait-for-bgp</b>.</li> <li>• <i>seconds</i>—When the <b>on-startup</b> keyword is configured, causes the overload bit to be set upon system startup and remain set for this number of seconds. The range is from 5 to 86400 seconds.</li> <li>• <b>wait-for-bgp</b>—When the <b>on-startup</b> keyword is configured, causes the overload bit to be set upon system startup and remain set until BGP has converged. If BGP does not signal IS-IS that it is converged, IS-IS will turn off the overload bit after 10 minutes.</li> </ul>
Step 10	<p><b>lsp-refresh-interval</b> <i>seconds</i></p> <p><b>Example:</b></p> <pre>Device(config-router)# lsp-refresh-interval 1080</pre>	(Optional) Sets an LSP refresh interval in seconds. The range is from 1 to 65535 seconds. The default is to send LSP refreshes every 900 seconds (15 minutes).
Step 11	<p><b>max-lsp-lifetime</b> <i>seconds</i></p> <p><b>Example:</b></p> <pre>Device(config-router)# max-lsp-lifetime 1000</pre>	(Optional) Sets the maximum time that LSP packets remain in the router database without being refreshed. The range is from 1 to 65535 seconds. The default is 1200 seconds (20 minutes). After the specified time interval, the LSP packet is deleted.
Step 12	<p><b>lsp-gen-interval</b> [<b>level-1</b>   <b>level-2</b>] <i>lsp-max-wait [lsp-initial-wait lsp-second-wait]</i></p> <p><b>Example:</b></p>	<p>(Optional) Sets the IS-IS LSP generation throttling timers:</p> <ul style="list-style-type: none"> <li>• <i>lsp-max-wait</i>—the maximum interval (in seconds) between two consecutive occurrences of an LSP being generated. The range is 1 to 120, the default is 5.</li> </ul>

	Command or Action	Purpose
	<pre>Device(config-router)# lsp-gen-interval level-2 2 50 100</pre>	<ul style="list-style-type: none"> <li>• <i>lsp-initial-wait</i>—the initial LSP generation delay (in milliseconds). The range is 1 to 10000; the default is 50.</li> <li>• <i>lsp-second-wait</i>—the hold time between the first and second LSP generation (in milliseconds). The range is 1 to 10000; the default is 5000.</li> </ul>
<b>Step 13</b>	<p><b>spf-interval</b> [level-1   level-2] <i>spf-max-wait</i> [<i>spf-initial-wait</i> <i>spf-second-wait</i>]</p> <p><b>Example:</b></p> <pre>Device(config-router)# spf-interval level-2 5 10 20</pre>	<p>(Optional) Sets IS-IS shortest path first (SPF) throttling timers.</p> <ul style="list-style-type: none"> <li>• <i>spf-max-wait</i>—the maximum interval between consecutive SFPs (in seconds). The range is 1 to 120, the default is 10.</li> <li>• <i>spf-initial-wait</i>—the initial SFP calculation after a topology change (in milliseconds). The range is 1 to 10000; the default is 5500.</li> <li>• <i>spf-second-wait</i>—the holdtime between the first and second SFP calculation (in milliseconds). The range is 1 to 10000; the default is 5500.</li> </ul>
<b>Step 14</b>	<p><b>prc-interval</b> <i>prc-max-wait</i> [<i>prc-initial-wait</i> <i>prc-second-wait</i>]</p> <p><b>Example:</b></p> <pre>Device(config-router)# prc-interval 5 10 20</pre>	<p>(Optional) Sets IS-IS partial route computation (PRC) throttling timers.</p> <ul style="list-style-type: none"> <li>• <i>prc-max-wait</i>—the maximum interval (in seconds) between two consecutive PRC calculations. The range is 1 to 120; the default is 5.</li> <li>• <i>prc-initial-wait</i>—the initial PRC calculation delay (in milliseconds) after a topology change. The range is 1 to 10,000; the default is 2000.</li> <li>• <i>prc-second-wait</i>—the hold time between the first and second PRC calculation (in milliseconds). The range is 1 to 10,000; the default is 5000.</li> </ul>
<b>Step 15</b>	<p><b>log-adjacency-changes</b> [all]</p> <p><b>Example:</b></p> <pre>Device(config-router)# log-adjacency-changes all</pre>	<p>(Optional) Sets the router to log IS-IS adjacency state changes. Enter <b>all</b> to include all changes generated by events that are not related to the Intermediate System-to-Intermediate System Hellos, including End System-to-Intermediate System PDUs and link state packets (LSPs).</p>
<b>Step 16</b>	<p><b>lsp-mtu</b> <i>size</i></p> <p><b>Example:</b></p> <pre>Device(config-router)# lsp mtu 1560</pre>	<p>(Optional) Specifies the maximum LSP packet size in bytes. The range is 128 to 4352; the default is 1497 bytes.</p> <p><b>Note</b> If any link in the network has a reduced MTU size, you must change the LSP MTU size on all routers in the network.</p>



	Command or Action	Purpose
Step 17	<b>partition avoidance</b> <b>Example:</b> Device(config-router)# partition avoidance	(Optional) Causes an IS-IS Level 1-2 border router to stop advertising the Level 1 area prefix into the Level 2 backbone when full connectivity is lost among the border router, all adjacent level 1 routers, and end hosts.
Step 18	<b>end</b> <b>Example:</b> Device(config)# end	Returns to privileged EXEC mode.
Step 19	<b>show clns</b> <b>Example:</b> Device# show clns	Verifies your entries.
Step 20	<b>copy running-config startup-config</b> <b>Example:</b> Device# copy running-config startup-config	(Optional) Saves your entries in the configuration file.

## Configuring IS-IS Interface Parameters

### Procedure

	Command or Action	Purpose
Step 1	<b>configure terminal</b> <b>Example:</b> Device# configure terminal	Enters the global configuration mode.
Step 2	<b>interface <i>interface-id</i></b> <b>Example:</b> Device(config)# interface gigabitethernet 1/0/1	Specifies the interface to be configured and enter interface configuration mode. If the interface is not already configured as a Layer 3 interface, enter the <b>no switchport</b> command to put it into Layer 3 mode.
Step 3	<b>isis metric <i>default-metric</i> [level-1   level-2]</b> <b>Example:</b> Device(config-if)# isis metric 15	(Optional) Configures the metric (or cost) for the specified interface. The range is from 0 to 63. The default is 10. If no level is entered, the default is to apply to both Level 1 and Level 2 routers.
Step 4	<b>isis hello-interval {seconds   minimal} [level-1   level-2]</b> <b>Example:</b>	(Optional) Specifies the length of time between hello packets sent by the switch. By default, a value three times the hello interval <i>seconds</i> is advertised as the <i>holdtime</i> in

	Command or Action	Purpose
	<pre>Device(config-if)# isis hello-interval minimal</pre>	<p>the hello packets sent. With smaller hello intervals, topological changes are detected faster, but there is more routing traffic.</p> <ul style="list-style-type: none"> <li>• <b>minimal</b>—causes the system to compute the hello interval based on the hello multiplier so that the resulting hold time is 1 second.</li> <li>• <i>seconds</i>—the range is from 1 to 65535. The default is 10 seconds.</li> </ul>
<b>Step 5</b>	<p><b>isis hello-multiplier</b> <i>multiplier</i> [level-1   level-2]  <b>Example:</b></p> <pre>Device(config-if)# isis hello-multiplier 5</pre>	<p>(Optional) Specifies the number of IS-IS hello packets a neighbor must miss before the router should declare the adjacency as down. The range is from 3 to 1000. The default is 3. Using a smaller hello-multiplier causes fast convergence, but can result in more routing instability.</p>
<b>Step 6</b>	<p><b>isis csnp-interval</b> <i>seconds</i> [level-1   level-2]  <b>Example:</b></p> <pre>Device(config-if)# isis csnp-interval 15</pre>	<p>(Optional) Configures the IS-IS complete sequence number PDU (CSNP) interval for the interface. The range is from 0 to 65535. The default is 10 seconds.</p>
<b>Step 7</b>	<p><b>isis retransmit-interval</b> <i>seconds</i>  <b>Example:</b></p> <pre>Device(config-if)# isis retransmit-interval 7</pre>	<p>(Optional) Configures the number of seconds between retransmission of IS-IS LSPs for point-to-point links. The value you specify should be an integer greater than the expected round-trip delay between any two routers on the network. The range is from 0 to 65535. The default is 5 seconds.</p>
<b>Step 8</b>	<p><b>isis retransmit-throttle-interval</b> <i>milliseconds</i>  <b>Example:</b></p> <pre>Device(config-if)# isis retransmit-throttle-interval 4000</pre>	<p>(Optional) Configures the IS-IS LSP retransmission throttle interval, which is the maximum rate (number of milliseconds between packets) at which IS-IS LSPs will be re-sent on point-to-point links. The range is from 0 to 65535. The default is determined by the <b>isis lsp-interval</b> command.</p>
<b>Step 9</b>	<p><b>isis priority</b> <i>value</i> [level-1   level-2]  <b>Example:</b></p> <pre>Device(config-if)# isis priority 50</pre>	<p>(Optional) Configures the priority to use for designated router election. The range is from 0 to 127. The default is 64.</p>
<b>Step 10</b>	<p><b>isis circuit-type</b> {level-1   level-1-2   level-2-only}  <b>Example:</b></p> <pre>Device(config-if)# isis circuit-type level-1-2</pre>	<p>(Optional) Configures the type of adjacency desired for neighbors on the specified interface (specify the interface circuit type).</p> <ul style="list-style-type: none"> <li>• <b>level-1</b>—a Level 1 adjacency is established if there is at least one area address common to both this node and its neighbors.</li> <li>• <b>level-1-2</b>—a Level 1 and 2 adjacency is established if the neighbor is also configured as both Level 1 and</li> </ul>

	Command or Action	Purpose
		<p>Level 2 and there is at least one area in common. If there is no area in common, a Level 2 adjacency is established. This is the default.</p> <ul style="list-style-type: none"> <li>• <b>level 2</b>—a Level 2 adjacency is established. If the neighbor router is a Level 1 router, no adjacency is established.</li> </ul>
<b>Step 11</b>	<b>isis password</b> <i>password</i> [ <b>level-1</b>   <b>level-2</b> ] <b>Example:</b> <pre>Device(config-if)# isis password secret</pre>	(Optional) Configures the authentication password for an interface. By default, authentication is disabled. Specifying Level 1 or Level 2 enables the password only for Level 1 or Level 2 routing, respectively. If you do not specify a level, the default is Level 1 and Level 2.
<b>Step 12</b>	<b>end</b> <b>Example:</b> <pre>Device(config)# end</pre>	Returns to privileged EXEC mode.
<b>Step 13</b>	<b>show clns interface</b> <i>interface-id</i> <b>Example:</b> <pre>Device# show clns interface gigabitethernet 1/0/1</pre>	Verifies your entries.
<b>Step 14</b>	<b>copy running-config startup-config</b> <b>Example:</b> <pre>Device# copy running-config startup-config</pre>	(Optional) Saves your entries in the configuration file.

## Monitoring and Maintaining ISO IGRP and IS-IS

You can remove all contents of a CLNS cache or remove information for a particular neighbor or route. You can display specific CLNS or IS-IS statistics, such as the contents of routing tables, caches, and databases. You can also display information about specific interfaces, filters, or neighbors.

The following table lists the privileged EXEC commands for clearing and displaying ISO CLNS and IS-IS routing. For explanations of the display fields, see the *Cisco IOS Apollo Domain, Banyan VINES, DECnet, ISO CLNS and XNS Command Reference*, use the Cisco IOS command reference master index, or search online.

**Table 13: ISO CLNS and IS-IS Clear and Show Commands**

Command	Purpose
<b>clear clns cache</b>	Clears and reinitializes the CLNS routing cache.

Command	Purpose
<b>clear clns es-neighbors</b>	Removes end system (ES) neighbor information from the adjacency database.
<b>clear clns is-neighbors</b>	Removes intermediate system (IS) neighbor information from the adjacency database.
<b>clear clns neighbors</b>	Removes CLNS neighbor information from the adjacency database.
<b>clear clns route</b>	Removes dynamically derived CLNS routing information.
<b>show clns</b>	Displays information about the CLNS network.
<b>show clns cache</b>	Displays the entries in the CLNS routing cache.
<b>show clns es-neighbors</b>	Displays ES neighbor entries, including the associated areas.
<b>show clns filter-expr</b>	Displays filter expressions.
<b>show clns filter-set</b>	Displays filter sets.
<b>show clns interface</b> <i>[interface-id]</i>	Displays the CLNS-specific or ES-IS information about each interface.
<b>show clns neighbor</b>	Displays information about IS-IS neighbors.
<b>show clns protocol</b>	List the protocol-specific information for each IS-IS or ISO IGRP routing process in this router.
<b>show clns route</b>	Displays all the destinations to which this router knows how to route CLNS packets.
<b>show clns traffic</b>	Displays information about the CLNS packets this router has seen.
<b>show ip route isis</b>	Displays the current state of the ISIS IP routing table.
<b>show isis database</b>	Displays the IS-IS link-state database.
<b>show isis routes</b>	Displays the IS-IS Level 1 routing table.
<b>show isis spf-log</b>	Displays a history of the shortest path first (SPF) calculations for IS-IS.
<b>show isis topology</b>	Displays a list of all connected routers in all areas.
<b>show route-map</b>	Displays all route maps configured or only the one specified.
<b>trace clns</b> <i>destination</i>	Discover the paths taken to a specified destination by packets in the network.

Command	Purpose
<b>which-route</b> { <i>nsap-address</i>   <i>clns-name</i> }	Displays the routing table in which the specified CLNS destination is found.

## Configuration Examples for ISO CLNS Routing

### Example: Configuring IS-IS Routing

This example shows how to configure three routers to run conventional IS-IS as an IP routing protocol. In conventional IS-IS, all routers act as Level 1 and Level 2 routers (by default).

Router A:

```
Device(config)# clns routing
Device(config)# router isis
Device(config-router)# net 49.0001.0000.0000.000a.00
Device(config-router)# exit
Device(config)# interface gigabitethernet1/0/1
Device(config-if)# ip router isis
Device(config-if)# clns router isis
Device(config)# interface gigabitethernet1/0/2
Device(config-if)# ip router isis
Device(config-if)# clns router isis
Device(config-router)# exit
```

Router B:

```
Device(config)# clns routing
Device(config)# router isis
Device(config-router)# net 49.0001.0000.0000.000b.00
Device(config-router)# exit
Device(config)# interface gigabitethernet1/0/1
Device(config-if)# ip router isis
Device(config-if)# clns router isis
Device(config)# interface gigabitethernet1/0/2
Device(config-if)# ip router isis
Device(config-if)# clns router isis
Device(config-router)# exit
```

Router C:

```
Device(config)# clns routing
Device(config)# router isis
Device(config-router)# net 49.0001.0000.0000.000c.00
Device(config-router)# exit
Device(config)# interface gigabitethernet1/0/1
Device(config-if)# ip router isis
Device(config-if)# clns router isis
Device(config)# interface gigabitethernet1/0/2
Device(config-if)# ip router isis
Device(config-if)# clns router isis
Device(config-router)# exit
```

## Information About Multi-VRF CE

Virtual Private Networks (VPNs) provide a secure way for customers to share bandwidth over an ISP backbone network. A VPN is a collection of sites sharing a common routing table. A customer site is connected to the service-provider network by one or more interfaces, and the service provider associates each interface with a VPN routing table, called a VPN routing/forwarding (VRF) table.

The switch supports multiple VPN routing/forwarding (multi-VRF) instances in customer edge (CE) devices (multi-VRF CE) when the it is running the IP services or advanced IP Services feature set. Multi-VRF CE allows a service provider to support two or more VPNs with overlapping IP addresses.



---

**Note** The switch does not use Multiprotocol Label Switching (MPLS) to support VPNs.

---

## Understanding Multi-VRF CE

Multi-VRF CE is a feature that allows a service provider to support two or more VPNs, where IP addresses can be overlapped among the VPNs. Multi-VRF CE uses input interfaces to distinguish routes for different VPNs and forms virtual packet-forwarding tables by associating one or more Layer 3 interfaces with each VRF. Interfaces in a VRF can be either physical, such as Ethernet ports, or logical, such as VLAN SVIs, but an interface cannot belong to more than one VRF at any time.



---

**Note** Multi-VRF CE interfaces must be Layer 3 interfaces.

---

Multi-VRF CE includes these devices:

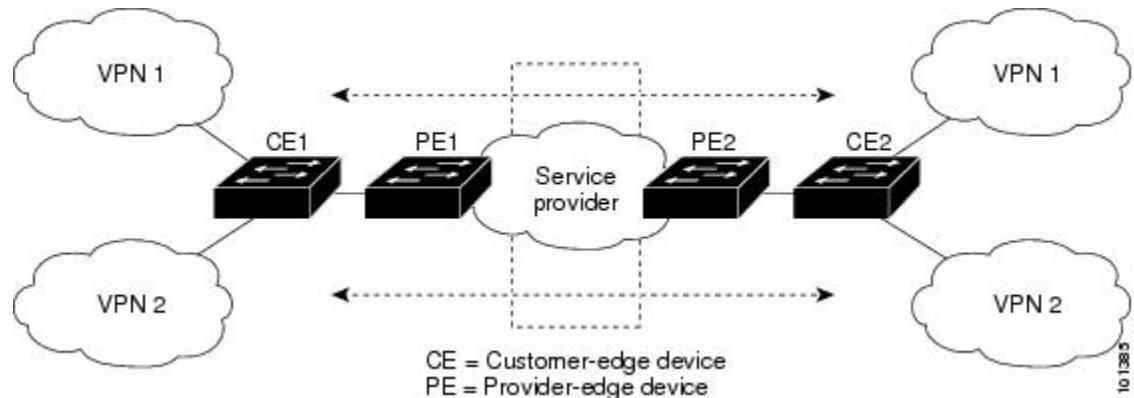
- Customer edge (CE) devices provide customers access to the service-provider network over a data link to one or more provider edge routers. The CE device advertises the site's local routes to the router and learns the remote VPN routes from it. A switch can be a CE.
- Provider edge (PE) routers exchange routing information with CE devices by using static routing or a routing protocol such as BGP, RIPv2, OSPF, or EIGRP. The PE is only required to maintain VPN routes for those VPNs to which it is directly attached, eliminating the need for the PE to maintain all of the service-provider VPN routes. Each PE router maintains a VRF for each of its directly connected sites. Multiple interfaces on a PE router can be associated with a single VRF if all of these sites participate in the same VPN. Each VPN is mapped to a specified VRF. After learning local VPN routes from CEs, a PE router exchanges VPN routing information with other PE routers by using internal BGP (IBPG).
- Provider routers or core routers are any routers in the service provider network that do not attach to CE devices.

With multi-VRF CE, multiple customers can share one CE, and only one physical link is used between the CE and the PE. The shared CE maintains separate VRF tables for each customer and switches or routes packets for each customer based on its own routing table. Multi-VRF CE extends limited PE functionality to a CE device, giving it the ability to maintain separate VRF tables to extend the privacy and security of a VPN to the branch office.

## Network Topology

The figure shows a configuration using switches as multiple virtual CEs. This scenario is suited for customers who have low bandwidth requirements for their VPN service, for example, small companies. In this case, multi-VRF CE support is required in the switches. Because multi-VRF CE is a Layer 3 feature, each interface in a VRF must be a Layer 3 interface.

**Figure 7: Switches Acting as Multiple Virtual CEs**



When the CE switch receives a command to add a Layer 3 interface to a VRF, it sets up the appropriate mapping between the VLAN ID and the policy label (PL) in multi-VRF-CE-related data structures and adds the VLAN ID and PL to the VLAN database.

When multi-VRF CE is configured, the Layer 3 forwarding table is conceptually partitioned into two sections:

- The multi-VRF CE routing section contains the routes from different VPNs.
- The global routing section contains routes to non-VPN networks, such as the Internet.

VLAN IDs from different VRFs are mapped into different policy labels, which are used to distinguish the VRFs during processing. For each new VPN route learned, the Layer 3 setup function retrieves the policy label by using the VLAN ID of the ingress port and inserts the policy label and new route to the multi-VRF CE routing section. If the packet is received from a routed port, the port internal VLAN ID number is used; if the packet is received from an SVI, the VLAN number is used.

## Packet-Forwarding Process

This is the packet-forwarding process in a multi-VRF-CE-enabled network:

- When the switch receives a packet from a VPN, the switch looks up the routing table based on the input policy label number. When a route is found, the switch forwards the packet to the PE.
- When the ingress PE receives a packet from the CE, it performs a VRF lookup. When a route is found, the router adds a corresponding MPLS label to the packet and sends it to the MPLS network.
- When an egress PE receives a packet from the network, it strips the label and uses the label to identify the correct VPN routing table. Then it performs the normal route lookup. When a route is found, it forwards the packet to the correct adjacency.
- When a CE receives a packet from an egress PE, it uses the input policy label to look up the correct VPN routing table. If a route is found, it forwards the packet within the VPN.

## Network Components

To configure VRF, you create a VRF table and specify the Layer 3 interface associated with the VRF. Then configure the routing protocols in the VPN and between the CE and the PE. BGP is the preferred routing protocol used to distribute VPN routing information across the provider's backbone. The multi-VRF CE network has three major components:

- VPN route target communities—lists of all other members of a VPN community. You need to configure VPN route targets for each VPN community member.
- Multiprotocol BGP peering of VPN community PE routers—propagates VRF reachability information to all members of a VPN community. You need to configure BGP peering in all PE routers within a VPN community.
- VPN forwarding—transports all traffic between all VPN community members across a VPN service-provider network.

## VRF-Aware Services

IP services can be configured on global interfaces, and these services run within the global routing instance. IP services are enhanced to run on multiple routing instances; they are VRF-aware. Any configured VRF in the system can be specified for a VRF-aware service.

VRF-Aware services are implemented in platform-independent modules. VRF means multiple routing instances in Cisco IOS. Each platform has its own limit on the number of VRFs it supports.

VRF-aware services have the following characteristics:

- The user can ping a host in a user-specified VRF.
- ARP entries are learned in separate VRFs. The user can display Address Resolution Protocol (ARP) entries for specific VRFs.

# How to Configure Multi-VRF CE

## Default Multi-VRF CE Configuration

*Table 14: Default VRF Configuration*

Feature	Default Setting
VRF	Disabled. No VRFs are defined.
Maps	No import maps, export maps, or route maps are defined.
VRF maximum routes	Fast Ethernet switches: 8000 Gigabit Ethernet switches: 12000.
Forwarding table	The default for an interface is the global routing table.



## Multi-VRF CE Configuration Guidelines



- Note** To use multi-VRF CE, you must have the IP services or advanced IP services feature set enabled on your switch.
- A switch with multi-VRF CE is shared by multiple customers, and each customer has its own routing table.
  - Because customers use different VRF tables, the same IP addresses can be reused. Overlapped IP addresses are allowed in different VPNs.
  - Multi-VRF CE lets multiple customers share the same physical link between the PE and the CE. Trunk ports with multiple VLANs separate packets among customers. Each customer has its own VLAN.
  - Multi-VRF CE does not support all MPLS-VRF functionality. It does not support label exchange, LDP adjacency, or labeled packets.
  - For the PE router, there is no difference between using multi-VRF CE or using multiple CEs. In Figure 41-6, multiple virtual Layer 3 interfaces are connected to the multi-VRF CE device.
  - The switch supports configuring VRF by using physical ports, VLAN SVIs, or a combination of both. The SVIs can be connected through an access port or a trunk port.
  - A customer can use multiple VLANs as long as they do not overlap with those of other customers. A customer's VLANs are mapped to a specific routing table ID that is used to identify the appropriate routing tables stored on the switch.
  - Most routing protocols (BGP, OSPF, RIP, and static routing) can be used between the CE and the PE. However, we recommend using external BGP (EBGP) for these reasons:
    - BGP does not require multiple algorithms to communicate with multiple CEs.
    - BGP is designed for passing routing information between systems run by different administrations.
    - BGP makes it easy to pass attributes of the routes to the CE.
  - Multi-VRF CE does not affect the packet switching rate.
  - VPN multicast is not supported.
  - You can enable VRF on a private VLAN, and the reverse.
  - You cannot enable VRF when policy-based routing (PBR) is enabled on an interface, and the reverse.
  - You cannot enable VRF when Web Cache Communication Protocol (WCCP) is enabled on an interface, and the reverse.

## Configuring VRFs

For complete syntax and usage information for the commands, see the switch command reference for this release and the *Cisco IOS Switching Services Command Reference*.



**Note** On changing the VRF configuration on a stack switch, it is advised to reload the entire stack. This is essential to maintain consistency between the CEF and the VRF control plane, and to avoid any error messages being displayed due to inconsistency in case of a master switchover.

### Procedure

	Command or Action	Purpose
<b>Step 1</b>	<b>configure terminal</b> <b>Example:</b> Device# <b>configure terminal</b>	Enters the global configuration mode.
<b>Step 2</b>	<b>ip routing</b> <b>Example:</b> Device(config)# <b>ip routing</b>	Enables IP routing.
<b>Step 3</b>	<b>ip vrf vrf-name</b> <b>Example:</b> Device(config)# <b>ip vrf vpn1</b>	Names the VRF, and enter VRF configuration mode.
<b>Step 4</b>	<b>rd route-distinguisher</b> <b>Example:</b> Device(config-vrf)# <b>rd 100:2</b>	Creates a VRF table by specifying a route distinguisher. Enter either an AS number and an arbitrary number (xxx:y) or an IP address and arbitrary number (A.B.C.D:y)
<b>Step 5</b>	<b>route-target {export   import   both}</b> <i>route-target-ext-community</i> <b>Example:</b> Device(config-vrf)# <b>route-target both 100:2</b>	Creates a list of import, export, or import and export route target communities for the specified VRF. Enter either an AS system number and an arbitrary number (xxx:y) or an IP address and an arbitrary number (A.B.C.D:y). The <i>route-target-ext-community</i> should be the same as the <i>route-distinguisher</i> entered in Step 4.
<b>Step 6</b>	<b>import map route-map</b> <b>Example:</b> Device(config-vrf)# <b>import map importmap1</b>	(Optional) Associates a route map with the VRF.
<b>Step 7</b>	<b>interface interface-id</b> <b>Example:</b> Device(config-vrf)# <b>interface gigabitethernet 1/0/1</b>	Specifies the Layer 3 interface to be associated with the VRF, and enter interface configuration mode. The interface can be a routed port or SVI.

	Command or Action	Purpose
<b>Step 8</b>	<b>ip vrf forwarding</b> <i>vrf-name</i> <b>Example:</b> Device(config-if)# ip vrf forwarding vpn1	Associates the VRF with the Layer 3 interface.
<b>Step 9</b>	<b>end</b> <b>Example:</b> Device(config)# <b>end</b>	Returns to privileged EXEC mode.
<b>Step 10</b>	<b>show ip vrf</b> [ <b>brief</b>   <b>detail</b>   <b>interfaces</b> ] [ <i>vrf-name</i> ] <b>Example:</b> Device# show ip vrf interfaces vpn1	Verifies the configuration. Displays information about the configured VRFs.
<b>Step 11</b>	<b>copy running-config startup-config</b> <b>Example:</b> Device# <b>copy running-config startup-config</b>	(Optional) Saves your entries in the configuration file.

## Configuring VRF-Aware Services

These services are VRF-Aware:

- ARP
- Ping
- Simple Network Management Protocol (SNMP)
- Unicast Reverse Path Forwarding (uRPF)
- Syslog
- Traceroute
- FTP and TFTP



**Note** The switch does not support VRF-aware services for Unicast Reverse Path Forwarding (uRPF) or Network Time Protocol (NTP).

### Configuring VRF-Aware Services for ARP

For complete syntax and usage information for the commands, see the switch command reference for this release and the *Cisco IOS Switching Services Command Reference, Release 12.4*.

**Procedure**

	Command or Action	Purpose
<b>Step 1</b>	<b>show ip arp vrf</b> <i>vrf-name</i> <b>Example:</b> Device# show ip arp vrf vpn1	Displays the ARP table in the specified VRF.

**Configuring VRF-Aware Services for Ping**

For complete syntax and usage information for the commands, see the switch command reference for this release and the *Cisco IOS Switching Services Command Reference, Release 12.4*.

**Procedure**

	Command or Action	Purpose
<b>Step 1</b>	<b>ping vrf</b> <i>vrf-name</i> <b>ip-host</b> <b>Example:</b> Device# ping vrf vpn1 ip-host	Displays the ARP table in the specified VRF.

**Configuring VRF-Aware Services for SNMP**

For complete syntax and usage information for the commands, refer to the switch command reference for this release and the *Cisco IOS Switching Services Command Reference, Release 12.4*.

**Procedure**

	Command or Action	Purpose
<b>Step 1</b>	<b>configure terminal</b> <b>Example:</b> Device# <b>configure terminal</b>	Enters the global configuration mode.
<b>Step 2</b>	<b>snmp-server trap authentication vrf</b> <b>Example:</b> Device(config)# snmp-server trap authentication vrf	Enables SNMP traps for packets on a VRF.
<b>Step 3</b>	<b>snmp-server engineID remote</b> <i>host vrf vpn-instance engine-id string</i> <b>Example:</b> Device(config)# snmp-server engineID remote 172.16.20.3 vrf vpn1 80000009030000B064EFE100	Configures a name for the remote SNMP engine on a switch.

	Command or Action	Purpose
<b>Step 4</b>	<b>snmp-server host</b> <i>host vrf vpn-instance traps community</i> <b>Example:</b> <pre>Device(config)# snmp-server host 172.16.20.3 vrf vpn1 traps comaccess</pre>	Specifies the recipient of an SNMP trap operation and specifies the VRF table to be used for sending SNMP traps.
<b>Step 5</b>	<b>snmp-server host</b> <i>host vrf vpn-instance informs community</i> <b>Example:</b> <pre>Device(config)# snmp-server host 172.16.20.3 vrf vpn1 informs comaccess</pre>	Specifies the recipient of an SNMP inform operation and specifies the VRF table to be used for sending SNMP informs.
<b>Step 6</b>	<b>snmp-server user</b> <i>user group remote host vrf vpn-instance security model</i> <b>Example:</b> <pre>Device(config)# snmp-server user abcd remote 172.16.20.3 vrf vpn1 priv v2c 3des secure3des</pre>	Adds a user to an SNMP group for a remote host on a VRF for SNMP access.
<b>Step 7</b>	<b>end</b> <b>Example:</b> <pre>Device(config-if)# end</pre>	Returns to privileged EXEC mode.

## Configuring VRF-Aware Services for uRPF

uRPF can be configured on an interface assigned to a VRF, and source lookup is done in the VRF table.

For complete syntax and usage information for the commands, refer to the switch command reference for this release and the *Cisco IOS Switching Services Command Reference, Release 12.4*.

### Procedure

	Command or Action	Purpose
<b>Step 1</b>	<b>configure terminal</b> <b>Example:</b> <pre>Device# configure terminal</pre>	Enters the global configuration mode.
<b>Step 2</b>	<b>interface</b> <i>interface-id</i> <b>Example:</b> <pre>Device(config)# interface gigabitethernet 1/0/1</pre>	Enters interface configuration mode, and specifies the Layer 3 interface to configure.

	Command or Action	Purpose
<b>Step 3</b>	<b>no switchport</b> <b>Example:</b>  Device(config-if)# no switchport	Removes the interface from Layer 2 configuration mode if it is a physical interface.
<b>Step 4</b>	<b>ip vrf forwarding vrf-name</b> <b>Example:</b>  Device(config-if)# ip vrf forwarding vpn2	Configures VRF on the interface.
<b>Step 5</b>	<b>ip address ip-address</b> <b>Example:</b>  Device(config-if)# ip address 10.1.5.1	Enters the IP address for the interface.
<b>Step 6</b>	<b>ip verify unicast reverse-path</b> <b>Example:</b>  Device(config-if)# ip verify unicast reverse-path	Enables uRPF on the interface.
<b>Step 7</b>	<b>end</b> <b>Example:</b>  Device(config-if)# end	Returns to privileged EXEC mode.

## Configuring VRF-Aware RADIUS

To configure VRF-Aware RADIUS, you must first enable AAA on a RADIUS server. The switch supports the **ip vrf forwarding vrf-name** server-group configuration and the **ip radius source-interface** global configuration commands, as described in the Per VRF AAA Feature Guide.

## Configuring VRF-Aware Services for Syslog

For complete syntax and usage information for the commands, refer to the switch command reference for this release and the *Cisco IOS Switching Services Command Reference, Release 12.4*.

### Procedure

	Command or Action	Purpose
<b>Step 1</b>	<b>configure terminal</b> <b>Example:</b>  Device# <b>configure terminal</b>	Enters the global configuration mode.

	Command or Action	Purpose
<b>Step 2</b>	<b>logging on</b> <b>Example:</b>  Device(config)# logging on	Enables or temporarily disables logging of storage router event message.
<b>Step 3</b>	<b>logging host <i>ip-address</i> vrf <i>vrf-name</i></b> <b>Example:</b>  Device(config)# logging host 10.10.1.0 vrf vpn1	Specifies the host address of the syslog server where logging messages are to be sent.
<b>Step 4</b>	<b>logging buffered <i>logging buffered size</i> debugging</b> <b>Example:</b>  Device(config)# logging buffered critical 6000 debugging	Logs messages to an internal buffer.
<b>Step 5</b>	<b>logging trap debugging</b> <b>Example:</b>  Device(config)# logging trap debugging	Limits the logging messages sent to the syslog server.
<b>Step 6</b>	<b>logging facility <i>facility</i></b> <b>Example:</b>  Device(config)# logging facility user	Sends system logging messages to a logging facility.
<b>Step 7</b>	<b>end</b> <b>Example:</b>  Device(config-if)# end	Returns to privileged EXEC mode.

## Configuring VRF-Aware Services for Traceroute

For complete syntax and usage information for the commands, refer to the switch command reference for this release and the Cisco IOS Switching Services Command Reference, Release 12.4.

### Procedure

	Command or Action	Purpose
<b>Step 1</b>	<b>traceroute vrf <i>vrf-name</i> <i>ipaddress</i></b> <b>Example:</b>  Device(config)# traceroute vrf vpn2 10.10.1.1	Specifies the name of a VPN VRF in which to find the destination address.

## Configuring VRF-Aware Services for FTP and TFTP

So that FTP and TFTP are VRF-aware, you must configure some FTP/TFTP CLIs. For example, if you want to use a VRF table that is attached to an interface, say E1/0, you need to configure the `ip tftp source-interface E1/0` or the `ip ftp source-interface E1/0` command to inform TFTP or FTP server to use a specific routing table. In this example, the VRF table is used to look up the destination IP address. These changes are backward-compatible and do not affect existing behavior. That is, you can use the source-interface CLI to send packets out a particular interface even if no VRF is configured on that interface.

### Procedure

	Command or Action	Purpose
<b>Step 1</b>	<b>configure terminal</b> <b>Example:</b> Device# <code>configure terminal</code>	Enters the global configuration mode.
<b>Step 2</b>	<b>ip ftp source-interface <i>interface-type interface-number</i></b> <b>Example:</b> Device(config)# <code>ip ftp source-interface gigabitethernet 1/0/2</code>	Specifies the source IP address for FTP connections.
<b>Step 3</b>	<b>end</b> <b>Example:</b> Device(config)# <code>end</code>	Returns to privileged EXEC mode.
<b>Step 4</b>	<b>configure terminal</b> <b>Example:</b> Device# <code>configure terminal</code>	Enters global configuration mode.
<b>Step 5</b>	<b>ip tftp source-interface <i>interface-type interface-number</i></b> <b>Example:</b> Device(config)# <code>ip tftp source-interface gigabitethernet 1/0/2</code>	Specifies the source IP address for TFTP connections.
<b>Step 6</b>	<b>end</b> <b>Example:</b> Device(config)# <code>end</code>	Returns to privileged EXEC mode.



## Configuring Multicast VRFs

For complete syntax and usage information for the commands, see the switch command reference for this release and the *Cisco IOS IP Multicast Command Reference*.

For more information about configuring a multicast within a Multi-VRF CE, see the *IP Routing: Protocol-Independent Configuration Guide, Cisco IOS Release 15S*.

### Procedure

	Command or Action	Purpose
<b>Step 1</b>	<b>configure terminal</b> <b>Example:</b> Device# <b>configure terminal</b>	Enters the global configuration mode.
<b>Step 2</b>	<b>ip routing</b> <b>Example:</b> Device(config)# ip routing	Enables IP routing mode.
<b>Step 3</b>	<b>ip vrf vrf-name</b> <b>Example:</b> Device(config)# ip vrf vpn1	Names the VRF, and enter VRF configuration mode.
<b>Step 4</b>	<b>rd route-distinguisher</b> <b>Example:</b> Device(config-vrf)# rd 100:2	Creates a VRF table by specifying a route distinguisher. Enter either an AS number and an arbitrary number (xxx:y) or an IP address and an arbitrary number (A.B.C.D:y)
<b>Step 5</b>	<b>route-target {export   import   both}</b> <b>route-target-ext-community</b> <b>Example:</b> Device(config-vrf)# route-target import 100:2	Creates a list of import, export, or import and export route target communities for the specified VRF. Enter either an AS system number and an arbitrary number (xxx:y) or an IP address and an arbitrary number (A.B.C.D:y). The <i>route-target-ext-community</i> should be the same as the <i>route-distinguisher</i> entered in Step 4.
<b>Step 6</b>	<b>import map route-map</b> <b>Example:</b> Device(config-vrf)# import map importmap1	(Optional) Associates a route map with the VRF.
<b>Step 7</b>	<b>ip multicast-routing vrf vrf-name distributed</b> <b>Example:</b> Device(config-vrf)# ip multicast-routing vrf vpn1 distributed	(Optional) Enables global multicast routing for VRF table.

	Command or Action	Purpose
<b>Step 8</b>	<b>interface</b> <i>interface-id</i> <b>Example:</b> Device(config-vrf)# interface gigabitethernet 1/0/2	Specifies the Layer 3 interface to be associated with the VRF, and enter interface configuration mode. The interface can be a routed port or an SVI.
<b>Step 9</b>	<b>ip vrf forwarding</b> <i>vrf-name</i> <b>Example:</b> Device(config-if)# ip vrf forwarding vpn1	Associates the VRF with the Layer 3 interface.
<b>Step 10</b>	<b>ip address</b> <i>ip-address</i> <i>mask</i> <b>Example:</b> Device(config-if)# ip address 10.1.5.1 255.255.255.0	Configures IP address for the Layer 3 interface.
<b>Step 11</b>	<b>ip pim sparse-dense mode</b> <b>Example:</b> Device(config-if)# ip pim sparse-dense mode	Enables PIM on the VRF-associated Layer 3 interface.
<b>Step 12</b>	<b>end</b> <b>Example:</b> Device(config)# <b>end</b>	Returns to privileged EXEC mode.
<b>Step 13</b>	<b>show ip vrf</b> [ <b>brief</b>   <b>detail</b>   <b>interfaces</b> ] [ <i>vrf-name</i> ] <b>Example:</b> Device# show ip vrf detail vpn1	Verifies the configuration. Displays information about the configured VRFs.
<b>Step 14</b>	<b>copy running-config startup-config</b> <b>Example:</b> Device# <b>copy running-config startup-config</b>	(Optional) Saves your entries in the configuration file.

## Configuring a VPN Routing Session

Routing within the VPN can be configured with any supported routing protocol (RIP, OSPF, EIGRP, or BGP) or with static routing. The configuration shown here is for OSPF, but the process is the same for other protocols.



**Note** To configure an EIGRP routing process to run within a VRF instance, you must configure an autonomous-system number by entering the **autonomous-system** *autonomous-system-number* address-family configuration mode command.

### Procedure

	Command or Action	Purpose
<b>Step 1</b>	<b>configure terminal</b> <b>Example:</b>  Device# configure terminal	Enters global configuration mode.
<b>Step 2</b>	<b>router ospf</b> <i>process-id</i> <b>vrf</b> <i>vrf-name</i> <b>Example:</b>  Device(config)# router ospf 1 vrf vpn1	Enables OSPF routing, specifies a VPN forwarding table, and enter router configuration mode.
<b>Step 3</b>	<b>log-adjacency-changes</b> <b>Example:</b>  Device(config-router)# log-adjacency-changes	(Optional) Logs changes in the adjacency state. This is the default state.
<b>Step 4</b>	<b>redistribute bgp</b> <i>autonomous-system-number</i> <b>subnets</b> <b>Example:</b>  Device(config-router)# redistribute bgp 10 subnets	Sets the switch to redistribute information from the BGP network to the OSPF network.
<b>Step 5</b>	<b>network</b> <i>network-number</i> <b>area</b> <i>area-id</i> <b>Example:</b>  Device(config-router)# network 1 area 2	Defines a network address and mask on which OSPF runs and the area ID for that network address.
<b>Step 6</b>	<b>end</b> <b>Example:</b>  Device(config-router)# end	Returns to privileged EXEC mode.
<b>Step 7</b>	<b>show ip ospf</b> <i>process-id</i> <b>Example:</b>  Device# show ip ospf 1	Verifies the configuration of the OSPF network.
<b>Step 8</b>	<b>copy running-config startup-config</b> <b>Example:</b>	(Optional) Saves your entries in the configuration file.

	Command or Action	Purpose
	Device# copy running-config startup-config	

## Configuring BGP PE to CE Routing Sessions

### Procedure

	Command or Action	Purpose
<b>Step 1</b>	<b>configure terminal</b> <b>Example:</b> Device# configure terminal	Enters global configuration mode.
<b>Step 2</b>	<b>router bgp <i>autonomous-system-number</i></b> <b>Example:</b> Device(config)# router bgp 2	Configures the BGP routing process with the AS number passed to other BGP routers, and enter router configuration mode.
<b>Step 3</b>	<b>network <i>network-number</i> mask <i>network-mask</i></b> <b>Example:</b> Device(config-router)# network 5 mask 255.255.255.0	Specifies a network and mask to announce using BGP.
<b>Step 4</b>	<b>redistribute ospf <i>process-id</i> match internal</b> <b>Example:</b> Device(config-router)# redistribute ospf 1 match internal	Sets the switch to redistribute OSPF internal routes.
<b>Step 5</b>	<b>network <i>network-number</i> area <i>area-id</i></b> <b>Example:</b> Device(config-router)# network 5 area 2	Defines a network address and mask on which OSPF runs and the area ID for that network address.
<b>Step 6</b>	<b>address-family ipv4 vrf <i>vrf-name</i></b> <b>Example:</b> Device(config-router)# address-family ipv4 vrf vpn1	Defines BGP parameters for PE to CE routing sessions, and enter VRF address-family mode.
<b>Step 7</b>	<b>neighbor <i>address</i> remote-as <i>as-number</i></b> <b>Example:</b> Device(config-router)# neighbor 10.1.1.2 remote-as 2	Defines a BGP session between PE and CE routers.

	Command or Action	Purpose
Step 8	<b>neighbor <i>address</i> activate</b> <b>Example:</b> <pre>Device(config-router)# neighbor 10.2.1.1 activate</pre>	Activates the advertisement of the IPv4 address family.
Step 9	<b>end</b> <b>Example:</b> <pre>Device(config-router)# end</pre>	Returns to privileged EXEC mode.
Step 10	<b>show ip bgp [<i>ipv4</i>] [<i>neighbors</i>]</b> <b>Example:</b> <pre>Device# show ip bgp ipv4 neighbors</pre>	Verifies BGP configuration.
Step 11	<b>copy running-config startup-config</b> <b>Example:</b> <pre>Device# copy running-config startup-config</pre>	(Optional) Saves your entries in the configuration file.

## Monitoring Multi-VRF CE

Table 15: Commands for Displaying Multi-VRF CE Information

<b>show ip protocols vrf <i>vrf-name</i></b>	Displays routing protocol information associated with a VRF.
<b>show ip route vrf <i>vrf-name</i> [<b>connected</b>] [<i>protocol</i> [<i>as-number</i>]] [<b>list</b>] [<b>mobile</b>] [<b>odr</b>] [<b>profile</b>] [<b>static</b>] [<b>summary</b>] [<b>supernets-only</b>]</b>	Displays IP routing table information associated with a VRF.
<b>show ip vrf [<b>brief</b>   <b>detail</b>   <b>interfaces</b>] [<i>vrf-name</i>]</b>	Displays information about the defined VRF instances.

For more information about the information in the displays, see the *Cisco IOS Switching Services Command Reference, Release 12.4*.

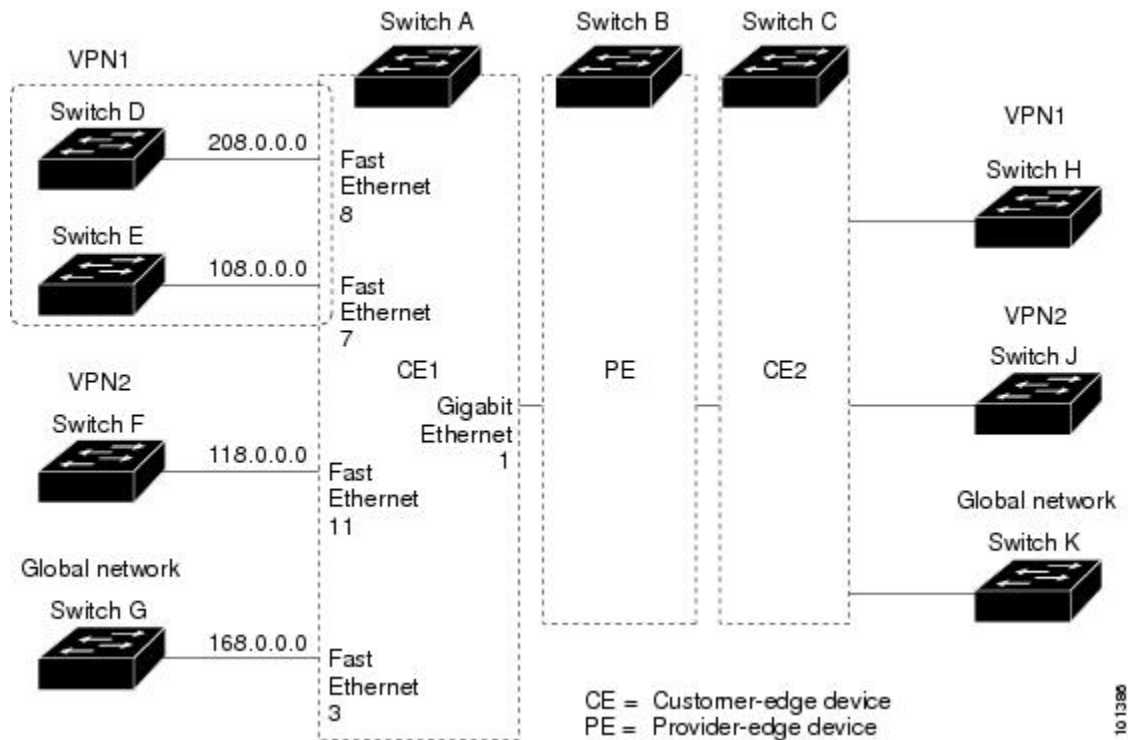
## Configuration Examples for Multi-VRF CE

### Multi-VRF CE Configuration Example

OSPF is the protocol used in VPN1, VPN2, and the global network. BGP is used in the CE to PE connections. The examples following the illustration show how to configure a switch as CE Switch A, and the VRF configuration for customer switches D and F. Commands for configuring CE Switch C and the other customer

switches are not included but would be similar. The example also includes commands for configuring traffic to Switch A for a Catalyst 6000 or Catalyst 6500 switch acting as a PE router.

Figure 8: Multi-VRF CE Configuration Example



On Switch A, enable routing and configure VRF.

```
Device# configure terminal
Enter configuration commands, one per line. End with CNTL/Z.
Device(config)# ip routing
Device(config)# ip vrf v11
Device(config-vrf)# rd 800:1
Device(config-vrf)# route-target export 800:1
Device(config-vrf)# route-target import 800:1
Device(config-vrf)# exit
Device(config)# ip vrf v12
Device(config-vrf)# rd 800:2
Device(config-vrf)# route-target export 800:2
Device(config-vrf)# route-target import 800:2
Device(config-vrf)# exit
```

Configure the loopback and physical interfaces on Switch A. Gigabit Ethernet port 1 is a trunk connection to the PE. Gigabit Ethernet ports 8 and 11 connect to VPNs:

```
Device(config)# interface loopback1
Device(config-if)# ip vrf forwarding v11
Device(config-if)# ip address 8.8.1.8 255.255.255.0
Device(config-if)# exit

Device(config)# interface loopback2
Device(config-if)# ip vrf forwarding v12
Device(config-if)# ip address 8.8.2.8 255.255.255.0
Device(config-if)# exit
```

```

Device(config)# interface gigabitethernet1/0/5
Device(config-if)# switchport trunk encapsulation dot1q
Device(config-if)# switchport mode trunk
Device(config-if)# no ip address
Device(config-if)# exit
Device(config)# interface gigabitethernet1/0/8
Device(config-if)# switchport access vlan 208
Device(config-if)# no ip address
Device(config-if)# exit
Device(config)# interface gigabitethernet1/0/11
Device(config-if)# switchport trunk encapsulation dot1q
Device(config-if)# switchport mode trunk
Device(config-if)# no ip address
Device(config-if)# exit

```

Configure the VLANs used on Switch A. VLAN 10 is used by VRF 11 between the CE and the PE. VLAN 20 is used by VRF 12 between the CE and the PE. VLANs 118 and 208 are used for the VPNs that include Switch F and Switch D, respectively:

```

Device(config)# interface vlan10
Device(config-if)# ip vrf forwarding v11
Device(config-if)# ip address 38.0.0.8 255.255.255.0
Device(config-if)# exit
Device(config)# interface vlan20
Device(config-if)# ip vrf forwarding v12
Device(config-if)# ip address 83.0.0.8 255.255.255.0
Device(config-if)# exit
Device(config)# interface vlan118
Device(config-if)# ip vrf forwarding v12
Device(config-if)# ip address 118.0.0.8 255.255.255.0
Device(config-if)# exit
Device(config)# interface vlan208
Device(config-if)# ip vrf forwarding v11
Device(config-if)# ip address 208.0.0.8 255.255.255.0
Device(config-if)# exit

```

Configure OSPF routing in VPN1 and VPN2.

```

Device(config)# router ospf 1 vrf v11
Device(config-router)# redistribute bgp 800 subnets
Device(config-router)# network 208.0.0.0 0.0.0.255 area 0
Device(config-router)# exit
Device(config)# router ospf 2 vrf v12
Device(config-router)# redistribute bgp 800 subnets
Device(config-router)# network 118.0.0.0 0.0.0.255 area 0
Device(config-router)# exit

```

Configure BGP for CE to PE routing.

```

Device(config)# router bgp 800
Device(config-router)# address-family ipv4 vrf v12
Device(config-router-af)# redistribute ospf 2 match internal
Device(config-router-af)# neighbor 83.0.0.3 remote-as 100
Device(config-router-af)# neighbor 83.0.0.3 activate
Device(config-router-af)# network 8.8.2.0 mask 255.255.255.0
Device(config-router-af)# exit
Device(config-router)# address-family ipv4 vrf v11
Device(config-router-af)# redistribute ospf 1 match internal
Device(config-router-af)# neighbor 38.0.0.3 remote-as 100
Device(config-router-af)# neighbor 38.0.0.3 activate

```

```
Device(config-router-af)# network 8.8.1.0 mask 255.255.255.0
Device(config-router-af)# end
```

Switch D belongs to VPN 1. Configure the connection to Switch A by using these commands.

```
Device# configure terminal
Enter configuration commands, one per line. End with CNTL/Z.
Device(config)# ip routing
Device(config)# interface gigabitethernet1/0/2
Device(config-if)# no switchport
Device(config-if)# ip address 208.0.0.20 255.255.255.0
Device(config-if)# exit

Device(config)# router ospf 101
Device(config-router)# network 208.0.0.0 0.0.0.255 area 0
Device(config-router)# end
```

Switch F belongs to VPN 2. Configure the connection to Switch A by using these commands.

```
Device# configure terminal
Enter configuration commands, one per line. End with CNTL/Z.
Device(config)# ip routing
Device(config)# interface gigabitethernet1/0/1
Device(config-if)# switchport trunk encapsulation dot1q
Device(config-if)# switchport mode trunk
Device(config-if)# no ip address
Device(config-if)# exit

Device(config)# interface vlan118
Device(config-if)# ip address 118.0.0.11 255.255.255.0
Device(config-if)# exit

Device(config)# router ospf 101
Device(config-router)# network 118.0.0.0 0.0.0.255 area 0
Device(config-router)# end
```

When used on switch B (the PE router), these commands configure only the connections to the CE device, Switch A.

```
Router# configure terminal
Enter configuration commands, one per line. End with CNTL/Z.
Router(config)# ip vrf v1
Router(config-vrf)# rd 100:1
Router(config-vrf)# route-target export 100:1
Router(config-vrf)# route-target import 100:1
Router(config-vrf)# exit

Router(config)# ip vrf v2
Router(config-vrf)# rd 100:2
Router(config-vrf)# route-target export 100:2
Router(config-vrf)# route-target import 100:2
Router(config-vrf)# exit
Router(config)# ip cef
Router(config)# interface Loopback1
Router(config-if)# ip vrf forwarding v1
Router(config-if)# ip address 3.3.1.3 255.255.255.0
Router(config-if)# exit

Router(config)# interface Loopback2
Router(config-if)# ip vrf forwarding v2
Router(config-if)# ip address 3.3.2.3 255.255.255.0
Router(config-if)# exit
```



```
Router(config)# interface gigabitethernet1/1/0.10
Router(config-if)# encapsulation dot1q 10
Router(config-if)# ip vrf forwarding v1
Router(config-if)# ip address 38.0.0.3 255.255.255.0
Router(config-if)# exit

Router(config)# interface gigabitethernet1/1/0.20
Router(config-if)# encapsulation dot1q 20
Router(config-if)# ip vrf forwarding v2
Router(config-if)# ip address 83.0.0.3 255.255.255.0
Router(config-if)# exit

Router(config)# router bgp 100
Router(config-router)# address-family ipv4 vrf v2
Router(config-router-af)# neighbor 83.0.0.8 remote-as 800
Router(config-router-af)# neighbor 83.0.0.8 activate
Router(config-router-af)# network 3.3.2.0 mask 255.255.255.0
Router(config-router-af)# exit
Router(config-router)# address-family ipv4 vrf v1
Router(config-router-af)# neighbor 38.0.0.8 remote-as 800
Router(config-router-af)# neighbor 38.0.0.8 activate
Router(config-router-af)# network 3.3.1.0 mask 255.255.255.0
Router(config-router-af)# end
```

## Configuring Unicast Reverse Path Forwarding

The unicast reverse path forwarding (unicast RPF) feature helps to mitigate problems that are caused by the introduction of malformed or forged (spoofed) IP source addresses into a network by discarding IP packets that lack a verifiable IP source address. For example, a number of common types of denial-of-service (DoS) attacks, including Smurf and Tribal Flood Network (TFN), can take advantage of forged or rapidly changing source IP addresses to allow attackers to thwart efforts to locate or filter the attacks. For Internet service providers (ISPs) that provide public access, Unicast RPF deflects such attacks by forwarding only packets that have source addresses that are valid and consistent with the IP routing table. This action protects the network of the ISP, its customer, and the rest of the Internet.



### Note

- Unicast RPF is supported in IP Services .
- Do not configure unicast RPF if the switch is in a mixed hardware stack combining more than one switch type. For example, Catalyst 3750-X, Catalyst 3750-E, and Catalyst 3750 switches.

For detailed IP unicast RPF configuration information, see the *Other Security Features* chapter in the *Cisco IOS Security Configuration Guide*.

## Protocol-Independent Features

This section describes IP routing protocol-independent features that are available on switches running the IP Base or the IP Services feature set ;except that with the IP Base feature set, protocol-related features are available only for RIP. For a complete description of the IP routing protocol-independent commands in this chapter, see the “IP Routing Protocol-Independent Commands” chapter of the *Cisco IOS IP Command Reference, Volume 2 of 3: Routing Protocols*.

# Distributed Cisco Express Forwarding

## Information About Cisco Express Forwarding

Cisco Express Forwarding (CEF) is a Layer 3 IP switching technology used to optimize network performance. CEF implements an advanced IP look-up and forwarding algorithm to deliver maximum Layer 3 switching performance. CEF is less CPU-intensive than fast switching route caching, allowing more CPU processing power to be dedicated to packet forwarding. In a switch stack, the hardware uses distributed CEF (dCEF) in the stack. In dynamic networks, fast switching cache entries are frequently invalidated because of routing changes, which can cause traffic to be process switched using the routing table, instead of fast switched using the route cache. CEF and dCEF use the Forwarding Information Base (FIB) lookup table to perform destination-based switching of IP packets.

The two main components in CEF and dCEF are the distributed FIB and the distributed adjacency tables.

- The FIB is similar to a routing table or information base and maintains a mirror image of the forwarding information in the IP routing table. When routing or topology changes occur in the network, the IP routing table is updated, and those changes are reflected in the FIB. The FIB maintains next-hop address information based on the information in the IP routing table. Because the FIB contains all known routes that exist in the routing table, CEF eliminates route cache maintenance, is more efficient for switching traffic, and is not affected by traffic patterns.
- Nodes in the network are said to be adjacent if they can reach each other with a single hop across a link layer. CEF uses adjacency tables to prepend Layer 2 addressing information. The adjacency table maintains Layer 2 next-hop addresses for all FIB entries.

Because the switch or switch stack uses Application Specific Integrated Circuits (ASICs) to achieve Gigabit-speed line rate IP traffic, CEF or dCEF forwarding applies only to the software-forwarding path, that is, traffic that is forwarded by the CPU.

## How to Configure Cisco Express Forwarding

CEF or distributed CEF is enabled globally by default. If for some reason it is disabled, you can re-enable it by using the **ip cef** or **ip cef distributed** global configuration command.

The default configuration is CEF or dCEF enabled on all Layer 3 interfaces. Entering the **no ip route-cache cef** interface configuration command disables CEF for traffic that is being forwarded by software. This command does not affect the hardware forwarding path. Disabling CEF and using the **debug ip packet detail** privileged EXEC command can be useful to debug software-forwarded traffic. To enable CEF on an interface for the software-forwarding path, use the **ip route-cache cef** interface configuration command.



### Caution

Although the **no ip route-cache cef** interface configuration command to disable CEF on an interface is visible in the CLI, we strongly recommend that you do not disable CEF or dCEF on interfaces except for debugging purposes.

To enable CEF or dCEF globally and on an interface for software-forwarded traffic if it has been disabled:

## Procedure

	Command or Action	Purpose
<b>Step 1</b>	<b>configure terminal</b> <b>Example:</b>  Device# <b>configure terminal</b>	Enters the global configuration mode.
<b>Step 2</b>	<b>ip cef</b> <b>Example:</b>  Device(config)# ip cef	Enables CEF operation on a non-stacking switch. Go to Step 4.
<b>Step 3</b>	<b>ip cef distributed</b> <b>Example:</b>  Device(config)# ip cef distributed	Enables CEF operation on a active switch.
<b>Step 4</b>	<b>interface <i>interface-id</i></b> <b>Example:</b>  Device(config)# interface gigabitethernet 1/0/1	Enters interface configuration mode, and specifies the Layer 3 interface to configure.
<b>Step 5</b>	<b>ip route-cache cef</b> <b>Example:</b>  Device(config-if)# ip route-cache cef	Enables CEF on the interface for software-forwarded traffic.
<b>Step 6</b>	<b>end</b> <b>Example:</b>  Device(config-if)# end	Returns to privileged EXEC mode.
<b>Step 7</b>	<b>show ip cef</b> <b>Example:</b>  Device# show ip cef	Displays the CEF status on all interfaces.
<b>Step 8</b>	<b>show cef linecard [detail]</b> <b>Example:</b>  Device# show cef linecard detail	(Optional) Displays CEF-related interface information on a non-stacking switch.
<b>Step 9</b>	<b>show cef linecard [<i>slot-number</i>] [detail]</b> <b>Example:</b>  Device# show cef linecard 5 detail	(Optional) Displays CEF-related interface information on a switch by stack member for all switches in the stack or for the specified switch.  (Optional) For <i>slot-number</i> , enter the stack member switch number.

	Command or Action	Purpose
<b>Step 10</b>	<b>show cef interface</b> [ <i>interface-id</i> ] <b>Example:</b> Device# show cef interface gigabitethernet 1/0/1	Displays detailed CEF information for all interfaces or the specified interface.
<b>Step 11</b>	<b>show adjacency</b> <b>Example:</b> Device# show adjacency	Displays CEF adjacency table information.
<b>Step 12</b>	<b>copy running-config startup-config</b> <b>Example:</b> Device# copy running-config startup-config	(Optional) Saves your entries in the configuration file.

## Load-Balancing Scheme for CEF Traffic

### Restrictions for Configuring a Load-Balancing Scheme for CEF Traffic

You must globally configure load balancing on device or device stack members in the same way: either in per-destination or per-packet mode. It is not possible to configure some packet prefixes in per-destination mode and others in per-packet mode.

### Prerequisites for Configuring a Load-Balancing Scheme for CEF Traffic

If you enable per-packet load balancing for traffic going to a particular destination, all interfaces that can forward traffic to that destination must be enabled for per-packet load balancing.

### CEF Load-Balancing Overview

CEF load balancing allows you to optimize resources by distributing traffic over multiple paths. CEF load balancing works based on a combination of source and destination packet information.

You can configure load balancing on a per-destination or per-packet basis. Because load-balancing decisions are made on the outbound interface, load balancing must be configured on the outbound interface.

### Per-Destination Load Balancing for CEF Traffic

Per-destination load balancing allows the device to use multiple paths to achieve load sharing across multiple source-destination host pairs. Packets for a given source-destination host pair are guaranteed to take the same path, even if multiple paths are available. Traffic streams destined for different pairs tend to take different paths.

Per-destination load balancing is enabled by default when you enable CEF. To use per-destination load balancing, you do not perform any additional tasks once CEF is enabled. Per-destination is the load-balancing method of choice for most situations.

Because per-destination load balancing depends on the statistical distribution of traffic, load sharing becomes more effective as the number of source-destination host pairs increases.

You can use per-destination load balancing to ensure that packets for a given host pair arrive in order. All packets intended for a certain host pair are routed over the same link (or links).

Typically, you disable per-destination load balancing when you want to enable per-packet load balancing.

## Per-Packet Load Balancing for CEF Traffic

Per-packet load balancing allows the device to send successive data packets over different paths without regard to individual hosts or user sessions. It uses the round-robin method to determine which path each packet takes to the destination. Per-packet load balancing ensures that the traffic is balanced over multiple links.

Per-packet load balancing is good for single-path destinations, but packets for a given source-destination host pair might take different paths. Per-packet load balancing can therefore introduce reordering of packets. This type of load balancing is inappropriate for certain types of data traffic (such as voice traffic over IP) that depend on packets arriving at the destination in sequence.

Use per-packet load balancing to help ensure that a path for a single source-destination host pair does not get overloaded. If the bulk of the data passing through parallel links is for a single pair, per-destination load balancing overloads a single link while other links have very little traffic. Enabling per-packet load balancing allows you to use alternate paths to the same busy destination.

## Load-Balancing Algorithms for CEF Traffic

The following load-balancing algorithms are provided for use with CEF traffic. You select a load-balancing algorithm with the **ip cef load-sharing algorithm** command.

- Original algorithm—The original load-balancing algorithm produces distortions in load sharing across multiple devices because the same algorithm was used on every device. Depending on your network environment, you should select the algorithm.
- Universal algorithm—The universal load-balancing algorithm allows each device on the network to make a different load sharing decision for each source-destination address pair, which resolves load-sharing imbalances. The device is set to perform universal load sharing by default.

## How to Configure a Load-Balancing for CEF Traffic

The following sections provide information on configuring load-balancing for CEF traffic.

### Enabling or Disabling CEF Per-Destination Load Balancing

To enable per-packet load balancing, per-destination load balancing needs to be disabled.

To enable or disable CEF per-destination load balancing, perform the following procedure:

#### SUMMARY STEPS

1. **enable**
2. **configure terminal**
3. **interface** *interface-id*
4. **[no] ip cef load-sharing [per-packet] [per-destination]**
5. **end**

## DETAILED STEPS

	Command or Action	Purpose
<b>Step 1</b>	<b>enable</b> <b>Example:</b>  Device# <b>enable</b>	Enters global configuration mode.
<b>Step 2</b>	<b>configure terminal</b> <b>Example:</b>  Device# <b>configure terminal</b>	Enters global configuration mode.
<b>Step 3</b>	<b>interface <i>interface-id</i></b> <b>Example:</b>  Device(config-if)# <b>interface gigabitethernet 1/0/1</b>	Enters interface configuration mode, and specifies the Layer 3 interface to configure.
<b>Step 4</b>	<b>[no] ip cef load-sharing [per-packet] [per-destination]</b> <b>Example:</b>  Device(config-if)# <b>no ip cef load-sharing per-destination</b>	Enables load balancing for CEF. <ul style="list-style-type: none"> <li>• The <b>no ip cef load-sharing</b> command disables CEF load balancing.</li> <li>• The <b>per-packet</b> keyword enables per-packet load balancing on the interface.</li> <li>• The <b>per-destination</b> keyword enables per-destination load balancing on the interface.</li> </ul>
<b>Step 5</b>	<b>end</b> <b>Example:</b>  Device(config-if)# <b>end</b>	Returns to privileged EXEC mode.

## Configuring CEF Per-Packet Load Balancing

To configure CEF per-packet load balancing, perform the following procedure:

## SUMMARY STEPS

1. **enable**
2. **configure terminal**
3. **interface *interface-id***
4. **[no] ip load-sharing [per-packet] [per-destination]**
5. **end**

## DETAILED STEPS

	Command or Action	Purpose
Step 1	<b>enable</b> <b>Example:</b> Device# <b>enable</b>	Enters global configuration mode.
Step 2	<b>configure terminal</b> <b>Example:</b> Device# <b>configure terminal</b>	Enters global configuration mode.
Step 3	<b>interface <i>interface-id</i></b> <b>Example:</b> Device(config-if)# <b>interface gigabitethernet 1/0/1</b>	Enters interface configuration mode, and specifies the Layer 3 interface to configure.
Step 4	<b>[no] ip load-sharing [per-packet] [per-destination]</b> <b>Example:</b> Device(config-if)# <b>ip load-sharing per-packet</b>	Enables load balancing for CEF. <ul style="list-style-type: none"> <li>• The <b>per-packet</b> keyword enables per-packet load balancing on the interface.</li> <li>• The <b>per-destination</b> keyword enables per-destination load balancing on the interface.</li> </ul>
Step 5	<b>end</b> <b>Example:</b> Device(config-if)# <b>end</b>	Returns to privileged EXEC mode.

## Selecting a Tunnel Load-Balancing Algorithm for CEF Traffic

Select the tunnel algorithm when your network environment contains only a few source and destination pairs. The device is set to perform universal load sharing by default.

To select a tunnel load-balancing algorithm for CEF traffic, perform the following procedure:

## SUMMARY STEPS

1. **enable**
2. **configure terminal**
3. **ip cef load-sharing algorithm {original | universal [*id*] }**
4. **end**

## DETAILED STEPS

	Command or Action	Purpose
<b>Step 1</b>	<b>enable</b> <b>Example:</b> Device# <b>enable</b>	Enters global configuration mode.
<b>Step 2</b>	<b>configure terminal</b> <b>Example:</b> Device# <b>configure terminal</b>	Enters global configuration mode.
<b>Step 3</b>	<b>ip cef load-sharing algorithm {original   universal [id]}</b> <b>Example:</b> Device(config)# ip cef load-sharing algorithm universal	Selects a CEF load-balancing algorithm. <ul style="list-style-type: none"> <li>• The <b>original</b> keyword sets the load-balancing algorithm to the original algorithm, based on a source and destination hash.</li> <li>• The <b>universal</b> keyword sets the load-balancing algorithm to one that uses a source and destination and an ID hash.</li> <li>• The <i>id</i> argument is a fixed identifier.</li> </ul>
<b>Step 4</b>	<b>end</b> <b>Example:</b> Device(config)# <b>end</b>	Returns to privileged EXEC mode.

## Configuration Examples for CEF Traffic Load-Balancing

The following sections provide configuration examples for CEF traffic load-balancing.

### Example: Enabling or Disabling CEF Per-Destination Load Balancing

Per-destination load balancing is enabled by default when you enable CEF. Typically, you disable per-destination load balancing when you want to enable per-packet load balancing. The following example shows how to disable per-destination load balancing:

```
Device> enable
Device# configure terminal
Device(config)# interface Ethernet1/0/1
Device(config-if)# no ip load-sharing per-destination
Device(config-if)# end
```



## Example: Configuring CEF Per-Packet Load Balancing

The following example shows how to configure per-packet load balancing for CEF:

```
Device> enable
Device# configure terminal
Device(config)# interface Ethernet1/0/1
Device(config-if)# ip load-sharing per-packet
Device(config-if)# end
```

## Number of Equal-Cost Routing Paths

### Information About Equal-Cost Routing Paths

When a router has two or more routes to the same network with the same metrics, these routes can be thought of as having an equal cost. The term parallel path is another way to see occurrences of equal-cost routes in a routing table. If a router has two or more equal-cost paths to a network, it can use them concurrently. Parallel paths provide redundancy in case of a circuit failure and also enable a router to load balance packets over the available paths for more efficient use of available bandwidth. Equal-cost routes are supported across switches in a stack.

Even though the router automatically learns about and configures equal-cost routes, you can control the maximum number of parallel paths supported by an IP routing protocol in its routing table. Although the switch software allows a maximum of 32 equal-cost routes, the switch hardware will never use more than 16 paths per route.

### How to Configure Equal-Cost Routing Paths

#### Procedure

	Command or Action	Purpose
Step 1	<b>configure terminal</b> <b>Example:</b> Device# configure terminal	Enters global configuration mode.
Step 2	<b>router {bgp   rip   ospf   eigrp}</b> <b>Example:</b> Device(config)# router eigrp	Enters router configuration mode.
Step 3	<b>maximum-paths <i>maximum</i></b> <b>Example:</b> Device(config-router)# maximum-paths 2	Sets the maximum number of parallel paths for the protocol routing table. The range is from 1 to 16; the default is 4 for most IP routing protocols, but only 1 for BGP.
Step 4	<b>end</b> <b>Example:</b>	Returns to privileged EXEC mode.

	Command or Action	Purpose
	<code>Device(config-router)# end</code>	
<b>Step 5</b>	<b>show ip protocols</b> <b>Example:</b> <code>Device# show ip protocols</code>	Verifies the setting in the <i>Maximum path</i> field.
<b>Step 6</b>	<b>copy running-config startup-config</b> <b>Example:</b> <code>Device# copy running-config startup-config</code>	(Optional) Saves your entries in the configuration file.

## Static Unicast Routes

### Information About Static Unicast Routes

Static unicast routes are user-defined routes that cause packets moving between a source and a destination to take a specified path. Static routes can be important if the router cannot build a route to a particular destination and are useful for specifying a gateway of last resort to which all unroutable packets are sent.

The switch retains static routes until you remove them. However, you can override static routes with dynamic routing information by assigning administrative distance values. Each dynamic routing protocol has a default administrative distance, as listed in Table 41-16. If you want a static route to be overridden by information from a dynamic routing protocol, set the administrative distance of the static route higher than that of the dynamic protocol.

**Table 16: Dynamic Routing Protocol Default Administrative Distances**

Route Source	Default Distance
Connected interface	0
Static route	1
Enhanced IRGP summary route	5
External BGP	20
Internal Enhanced IGRP	90
IGRP	100
OSPF	110
Internal BGP	200
Unknown	225

Static routes that point to an interface are advertised through RIP, IGRP, and other dynamic routing protocols, whether or not static **redistribute** router configuration commands were specified for those routing protocols.

These static routes are advertised because static routes that point to an interface are considered in the routing table to be connected and hence lose their static nature. However, if you define a static route to an interface that is not one of the networks defined in a network command, no dynamic routing protocols advertise the route unless a **redistribute** static command is specified for these protocols.

When an interface goes down, all static routes through that interface are removed from the IP routing table. When the software can no longer find a valid next hop for the address specified as the forwarding router's address in a static route, the static route is also removed from the IP routing table.

## Configuring Static Unicast Routes

Static unicast routes are user-defined routes that cause packets moving between a source and a destination to take a specified path. Static routes can be important if the router cannot build a route to a particular destination and are useful for specifying a gateway of last resort to which all unroutable packets are sent.

Follow these steps to configure a static route:

### Procedure

	Command or Action	Purpose
Step 1	<b>enable</b> <b>Example:</b>  Device> <b>enable</b>	Enables privileged EXEC mode. Enter your password if prompted.
Step 2	<b>configure terminal</b> <b>Example:</b>  Device# <b>configure terminal</b>	Enters the global configuration mode.
Step 3	<b>ip route prefix mask</b> { <i>address</i>   <i>interface</i> } [ <i>distance</i> ] <b>Example:</b>  Device(config)# ip route prefix mask gigabitethernet 1/0/4	Establish a static route.
Step 4	<b>end</b> <b>Example:</b>  Device(config)# <b>end</b>	Returns to privileged EXEC mode.
Step 5	<b>show ip route</b> <b>Example:</b>  Device# show ip route	Displays the current state of the routing table to verify the configuration.
Step 6	<b>copy running-config startup-config</b> <b>Example:</b>	(Optional) Saves your entries in the configuration file.

	Command or Action	Purpose
	Device# <code>copy running-config startup-config</code>	

### What to do next

Use the **no ip route** *prefix mask {address| interface}* global configuration command to remove a static route. The device retains static routes until you remove them.

## Default Routes and Networks

### Information About Default Routes and Networks

A router might not be able to learn the routes to all other networks. To provide complete routing capability, you can use some routers as smart routers and give the remaining routers default routes to the smart router. (Smart routers have routing table information for the entire internetwork.) These default routes can be dynamically learned or can be configured in the individual routers. Most dynamic interior routing protocols include a mechanism for causing a smart router to generate dynamic default information that is then forwarded to other routers.

If a router has a directly connected interface to the specified default network, the dynamic routing protocols running on that device generate a default route. In RIP, it advertises the pseudonetwork 0.0.0.0.

A router that is generating the default for a network also might need a default of its own. One way a router can generate its own default is to specify a static route to the network 0.0.0.0 through the appropriate device.

When default information is passed through a dynamic routing protocol, no further configuration is required. The system periodically scans its routing table to choose the optimal default network as its default route. In IGRP networks, there might be several candidate networks for the system default. Cisco routers use administrative distance and metric information to set the default route or the gateway of last resort.

If dynamic default information is not being passed to the system, candidates for the default route are specified with the **ip default-network** global configuration command. If this network appears in the routing table from any source, it is flagged as a possible choice for the default route. If the router has no interface on the default network, but does have a path to it, the network is considered as a possible candidate, and the gateway to the best default path becomes the gateway of last resort.

### How to Configure Default Routes and Networks

#### Procedure

	Command or Action	Purpose
<b>Step 1</b>	<b>configure terminal</b>  <b>Example:</b>  Device# <code>configure terminal</code>	Enters global configuration mode.
<b>Step 2</b>	<b>ip default-network</b> <i>network number</i>  <b>Example:</b>	Specifies a default network.

	Command or Action	Purpose
	<code>Device(config)# ip default-network 1</code>	
<b>Step 3</b>	<b>end</b> <b>Example:</b> <code>Device(config)# end</code>	Returns to privileged EXEC mode.
<b>Step 4</b>	<b>show ip route</b> <b>Example:</b> <code>Device# show ip route</code>	Displays the selected default route in the gateway of last resort display.
<b>Step 5</b>	<b>copy running-config startup-config</b> <b>Example:</b> <code>Device# copy running-config startup-config</code>	(Optional) Saves your entries in the configuration file.

## Route Maps to Redistribute Routing Information

### Information About Route Maps

The switch can run multiple routing protocols simultaneously, and it can redistribute information from one routing protocol to another. Redistributing information from one routing protocol to another applies to all supported IP-based routing protocols.

You can also conditionally control the redistribution of routes between routing domains by defining enhanced packet filters or route maps between the two domains. The **match** and **set** route-map configuration commands define the condition portion of a route map. The **match** command specifies that a criterion must be matched. The **set** command specifies an action to be taken if the routing update meets the conditions defined by the **match** command. Although redistribution is a protocol-independent feature, some of the **match** and **set** route-map configuration commands are specific to a particular protocol.

One or more **match** commands and one or more **set** commands follow a **route-map** command. If there are no **match** commands, everything matches. If there are no **set** commands, nothing is done, other than the match. Therefore, you need at least one **match** or **set** command.



**Note** A route map with no **set** route-map configuration commands is sent to the CPU, which causes high CPU utilization.

You can also identify route-map statements as **permit** or **deny**. If the statement is marked as a deny, the packets meeting the match criteria are sent back through the normal forwarding channels (destination-based routing). If the statement is marked as permit, set clauses are applied to packets meeting the match criteria. Packets that do not meet the match criteria are forwarded through the normal routing channel.

## How to Configure a Route Map

Although each of Steps 3 through 14 in the following section is optional, you must enter at least one **match** route-map configuration command and one **set** route-map configuration command.



**Note** The keywords are the same as defined in the procedure to control the route distribution.

### Procedure

	Command or Action	Purpose
<b>Step 1</b>	<b>configure terminal</b> <b>Example:</b> Device# configure terminal	Enters global configuration mode.
<b>Step 2</b>	<b>route-map</b> <i>map-tag</i> [ <b>permit</b>   <b>deny</b> ] [ <i>sequence number</i> ] <b>Example:</b> Device(config)# route-map rip-to-ospf permit 4	Defines any route maps used to control redistribution and enter route-map configuration mode.  <i>map-tag</i> —A meaningful name for the route map. The <b>redistribute</b> router configuration command uses this name to reference this route map. Multiple route maps might share the same map tag name.  (Optional) If <b>permit</b> is specified and the match criteria are met for this route map, the route is redistributed as controlled by the set actions. If <b>deny</b> is specified, the route is not redistributed.  <i>sequence number</i> (Optional)— Number that indicates the position a new route map is to have in the list of route maps already configured with the same name.
<b>Step 3</b>	<b>match as-path</b> <i>path-list-number</i> <b>Example:</b> Device(config-route-map)#match as-path 10	Matches a BGP AS path access list.
<b>Step 4</b>	<b>match community-list</b> <i>community-list-number</i> [ <b>exact</b> ] <b>Example:</b> Device(config-route-map)# match community-list 150	Matches a BGP community list.
<b>Step 5</b>	<b>match ip address</b> { <i>access-list-number</i>   <i>access-list-name</i> } [ <i>...access-list-number</i>   <i>...access-list-name</i> ] <b>Example:</b> Device(config-route-map)# match ip address 5 80	Matches a standard access list by specifying the name or number. It can be an integer from 1 to 199.

	Command or Action	Purpose
Step 6	<b>match metric</b> <i>metric-value</i> <b>Example:</b> <pre>Device(config-route-map)# match metric 2000</pre>	Matches the specified route metric. The <i>metric-value</i> can be an EIGRP metric with a specified value from 0 to 4294967295.
Step 7	<b>match ip next-hop</b> { <i>access-list-number</i>   <i>access-list-name</i> } [... <i>access-list-number</i>   ... <i>access-list-name</i> ] <b>Example:</b> <pre>Device(config-route-map)# match ip next-hop 8 45</pre>	Matches a next-hop router address passed by one of the access lists specified (numbered from 1 to 199).
Step 8	<b>match tag</b> <i>tag value</i> [... <i>tag-value</i> ] <b>Example:</b> <pre>Device(config-route-map)# match tag 3500</pre>	Matches the specified tag value in a list of one or more route tag values. Each can be an integer from 0 to 4294967295.
Step 9	<b>match interface</b> <i>type number</i> [... <i>type-number</i> ] <b>Example:</b> <pre>Device(config-route-map)# match interface gigabitethernet 1/0/1</pre>	Matches the specified next hop route out one of the specified interfaces.
Step 10	<b>match ip route-source</b> { <i>access-list-number</i>   <i>access-list-name</i> } [... <i>access-list-number</i>   ... <i>access-list-name</i> ] <b>Example:</b> <pre>Device(config-route-map)# match ip route-source 10 30</pre>	Matches the address specified by the specified advertised access lists.
Step 11	<b>match route-type</b> { <i>local</i>   <i>internal</i>   <i>external</i> [ <i>type-1</i>   <i>type-2</i> ]} <b>Example:</b> <pre>Device(config-route-map)# match route-type local</pre>	Matches the specified <b>route-type</b> : <ul style="list-style-type: none"> <li>• <b>local</b>—Locally generated BGP routes.</li> <li>• <b>internal</b>—OSPF intra-area and interarea routes or EIGRP internal routes.</li> <li>• <b>external</b>—OSPF external routes (Type 1 or Type 2) or EIGRP external routes.</li> </ul>
Step 12	<b>set dampening</b> <i>half-life reuse suppress max-suppress-time</i> <b>Example:</b> <pre>Device(config-route-map)# set dampening 30 1500 10000 120</pre>	Sets BGP route dampening factors.
Step 13	<b>set local-preference</b> <i>value</i> <b>Example:</b>	Assigns a value to a local BGP path.

	Command or Action	Purpose
	Device(config-route-map)# set local-preference 100	
<b>Step 14</b>	<b>set origin {igp   egp as   incomplete}</b> <b>Example:</b> Device(config-route-map)#set origin igp	Sets the BGP origin code.
<b>Step 15</b>	<b>set as-path {tag   prepend as-path-string}</b> <b>Example:</b> Device(config-route-map)# set as-path tag	Modifies the BGP autonomous system path.
<b>Step 16</b>	<b>set level {level-1   level-2   level-1-2   stub-area   backbone}</b> <b>Example:</b> Device(config-route-map)# set level level-1-2	Sets the level for routes that are advertised into the specified area of the routing domain. The <b>stub-area</b> and <b>backbone</b> are OSPF NSSA and backbone areas.
<b>Step 17</b>	<b>set metric metric value</b> <b>Example:</b> Device(config-route-map)# set metric 100	Sets the metric value to give the redistributed routes (for EIGRP only). The <i>metric value</i> is an integer from -294967295 to 294967295.
<b>Step 18</b>	<b>set metric bandwidth delay reliability loading mtu</b> <b>Example:</b> Device(config-route-map)# set metric 10000 10 255 1 1500	Sets the metric value to give the redistributed routes (for EIGRP only): <ul style="list-style-type: none"> <li>• <i>bandwidth</i>—Metric value or IGRP bandwidth of the route in kilobits per second in the range 0 to 4294967295</li> <li>• <i>delay</i>—Route delay in tens of microseconds in the range 0 to 4294967295.</li> <li>• <i>reliability</i>—Likelihood of successful packet transmission expressed as a number between 0 and 255, where 255 means 100 percent reliability and 0 means no reliability.</li> <li>• <i>loading</i>—Effective bandwidth of the route expressed as a number from 0 to 255 (255 is 100 percent loading).</li> <li>• <i>mtu</i>—Minimum maximum transmission unit (MTU) size of the route in bytes in the range 0 to 4294967295.</li> </ul>
<b>Step 19</b>	<b>set metric-type {type-1   type-2}</b> <b>Example:</b>	Sets the OSPF external metric type for redistributed routes.



	Command or Action	Purpose
	<code>Device(config-route-map)# set metric-type type-2</code>	
<b>Step 20</b>	<b>set metric-type internal</b> <b>Example:</b> <code>Device(config-route-map)# set metric-type internal</code>	Sets the multi-exit discriminator (MED) value on prefixes advertised to external BGP neighbor to match the IGP metric of the next hop.
<b>Step 21</b>	<b>set weight <i>number</i></b> <b>Example:</b> <code>Device(config-route-map)# set weight 100</code>	Sets the BGP weight for the routing table. The value can be from 1 to 65535.
<b>Step 22</b>	<b>end</b> <b>Example:</b> <code>Device(config-route-map)# end</code>	Returns to privileged EXEC mode.
<b>Step 23</b>	<b>show route-map</b> <b>Example:</b> <code>Device# show route-map</code>	Displays all route maps configured or only the one specified to verify configuration.
<b>Step 24</b>	<b>copy running-config startup-config</b> <b>Example:</b> <code>Device# copy running-config startup-config</code>	(Optional) Saves your entries in the configuration file.

## How to Control Route Distribution

Although each of Steps 3 through 14 in the following section is optional, you must enter at least one **match** route-map configuration command and one **set** route-map configuration command.



**Note** The keywords are the same as defined in the procedure to configure the route map for redistribution.

The metrics of one routing protocol do not necessarily translate into the metrics of another. For example, the RIP metric is a hop count, and the IGRP metric is a combination of five qualities. In these situations, an artificial metric is assigned to the redistributed route. Uncontrolled exchanging of routing information between different routing protocols can create routing loops and seriously degrade network operation.

If you have not defined a default redistribution metric that replaces metric conversion, some automatic metric translations occur between routing protocols:

- RIP can automatically redistribute static routes. It assigns static routes a metric of 1 (directly connected).
- Any protocol can redistribute other routing protocols if a default mode is in effect.

## Procedure

	Command or Action	Purpose
<b>Step 1</b>	<b>configure terminal</b> <b>Example:</b>  Device# configure terminal	Enters global configuration mode.
<b>Step 2</b>	<b>router { rip   ospf   eigrp }</b> <b>Example:</b>  Device(config)# router eigrp 10	Enters router configuration mode.
<b>Step 3</b>	<b>redistribute protocol [process-id] {level-1   level-1-2   level-2} [metric metric-value] [metric-type type-value] [match internal   external type-value] [tag tag-value] [route-map map-tag] [weight weight] [subnets]</b> <b>Example:</b>  Device(config-router)# redistribute eigrp 1	Redistributes routes from one routing protocol to another routing protocol. If no route-maps are specified, all routes are redistributed. If the keyword <b>route-map</b> is specified with no <i>map-tag</i> , no routes are distributed.
<b>Step 4</b>	<b>default-metric number</b> <b>Example:</b>  Device(config-router)# default-metric 1024	Cause the current routing protocol to use the same metric value for all redistributed routes ( RIP and OSPF).
<b>Step 5</b>	<b>default-metric bandwidth delay reliability loading mtu</b> <b>Example:</b>  Device(config-router)# default-metric 1000 100 250 100 1500	Cause the EIGRP routing protocol to use the same metric value for all non-EIGRP redistributed routes.
<b>Step 6</b>	<b>end</b> <b>Example:</b>  Device(config-router)# end	Returns to privileged EXEC mode.
<b>Step 7</b>	<b>show route-map</b> <b>Example:</b>  Device# show route-map	Displays all route maps configured or only the one specified to verify configuration.
<b>Step 8</b>	<b>copy running-config startup-config</b> <b>Example:</b>  Device# copy running-config startup-config	(Optional) Saves your entries in the configuration file.

# Policy-Based Routing

## Information About Policy-Based Routing

You can use policy-based routing (PBR) to configure a defined policy for traffic flows. By using PBR, you can have more control over routing by reducing the reliance on routes derived from routing protocols. PBR can specify and implement routing policies that allow or deny paths based on:

- Identity of a particular end system
- Application
- Protocol

You can use PBR to provide equal-access and source-sensitive routing, routing based on interactive versus batch traffic, or routing based on dedicated links. For example, you could transfer stock records to a corporate office on a high-bandwidth, high-cost link for a short time while transmitting routine application data such as e-mail over a low-bandwidth, low-cost link.

With PBR, you classify traffic using access control lists (ACLs) and then make traffic go through a different path. PBR is applied to incoming packets. All packets received on an interface with PBR enabled are passed through route maps. Based on the criteria defined in the route maps, packets are forwarded (routed) to the appropriate next hop.

- Route map statement marked as permit is processed as follows:
  - A match command can match on length or multiple ACLs. A route map statement can contain multiple match commands. Logical or algorithm function is performed across all the match commands to reach a permit or deny decision.

For example:

```
match length A B
match ip address acl1 acl2
match ip address acl3
```

A packet is permitted if it is permitted by match length A B or acl1 or acl2 or acl3

- If the decision reached is permit, then the action specified by the set command is applied on the packet .
- If the decision reached is deny, then the PBR action (specified in the set command) is not applied. Instead the processing logic moves forward to look at the next route-map statement in the sequence (the statement with the next higher sequence number). If no next statement exists, PBR processing terminates, and the packet is routed using the default IP routing table.
- For PBR, route-map statements marked as deny are not supported.

You can use standard IP ACLs to specify match criteria for a source address or extended IP ACLs to specify match criteria based on an application, a protocol type, or an end station. The process proceeds through the route map until a match is found. If no match is found, normal destination-based routing occurs. There is an implicit deny at the end of the list of match statements.

If match clauses are satisfied, you can use a set clause to specify the IP addresses identifying the next hop router in the path.

For details about PBR commands and keywords, see *Cisco IOS IP Command Reference, Volume 2 of 3: Routing Protocols*.

## How to Configure PBR

- To use PBR, you must have the IP Base feature set enabled on the switch or stack master.
- Multicast traffic is not policy-routed. PBR applies only to unicast traffic.
- You can enable PBR on a routed port or an SVI.
- The switch supports PBR based on match length.
- You can apply a policy route map to an EtherChannel port channel in Layer 3 mode, but you cannot apply a policy route map to a physical interface that is a member of the EtherChannel. If you try to do so, the command is rejected. When a policy route map is applied to a physical interface, that interface cannot become a member of an EtherChannel.
- You can define a maximum of 128 IP policy route maps on the switch or switch stack.
- You can define a maximum of 512 access control entries (ACEs) for PBR on the switch or switch stack.
- When configuring match criteria in a route map, follow these guidelines:
  - Do not match ACLs that permit packets destined for a local address.
- VRF and PBR are mutually exclusive on a switch interface. You cannot enable VRF when PBR is enabled on an interface. The reverse is also true, you cannot enable PBR when VRF is enabled on an interface.
- Web Cache Communication Protocol (WCCP) and PBR are mutually exclusive on a switch interface. You cannot enable WCCP when PBR is enabled on an interface. The reverse is also true, you cannot enable PBR when WCCP is enabled on an interface.
- The number of hardware entries used by PBR depends on the route map itself, the ACLs used, and the order of the ACLs and route-map entries.
- PBR based on TOS, DSCP and IP Precedence are not supported.
- Set interface, set default next-hop and set default interface are not supported.
- **ip next-hop recursive** and **ip next-hop verify availability** features are not available and the next-hop should be directly connected.
- Policy-maps with no set actions are supported. Matching packets are routed normally.
- Policy-maps with no match clauses are supported. Set actions are applied to all packets.

By default, PBR is disabled on the switch. To enable PBR, you must create a route map that specifies the match criteria and the resulting action. Then, you must enable PBR for that route map on an interface. All packets arriving on the specified interface matching the match clauses are subject to PBR.

Packets that are generated by the switch, or local packets, are not normally policy-routed. When you globally enable local PBR on the switch, all packets that originate on the switch are subject to local PBR. Local PBR is disabled by default.

### SUMMARY STEPS

1. **configure terminal**

2. **route-map** *map-tag* [**permit**] [*sequence number*]
3. **match ip address** {*access-list-number* | *access-list-name*} [*access-list-number* |...*access-list-name*]
4. **match length min max**
5. **set ip next-hop** *ip-address* [...*ip-address*]
6. **exit**
7. **interface** *interface-id*
8. **ip policy route-map** *map-tag*
9. **ip route-cache policy**
10. **exit**
11. **ip local policy route-map** *map-tag*
12. **end**
13. **show route-map** [*map-name*]
14. **show ip policy**
15. **show ip local policy**

### DETAILED STEPS

	Command or Action	Purpose
Step 1	<b>configure terminal</b> <b>Example:</b> Device# configure terminal	Enters global configuration mode.
Step 2	<b>route-map</b> <i>map-tag</i> [ <b>permit</b> ] [ <i>sequence number</i> ] <b>Example:</b> Device(config)# route-map pbr-map permit	Defines route maps that are used to control where packets are output, and enters route-map configuration mode. <ul style="list-style-type: none"> <li>• <i>map-tag</i> – A meaningful name for the route map. The <b>ip policy route-map</b> interface configuration command uses this name to reference the route map. Multiple route-map statements with the same map tag define a single route map.</li> <li>• (Optional) <b>permit</b> – If <b>permit</b> is specified and the match criteria are met for this route map, the route is policy routed as defined by the set actions.</li> <li>• (Optional) <i>sequence number</i> – The sequence number shows the position of the route-map statement in the given route map.</li> </ul>
Step 3	<b>match ip address</b> { <i>access-list-number</i>   <i>access-list-name</i> } [ <i>access-list-number</i>  ... <i>access-list-name</i> ] <b>Example:</b> Device(config-route-map)# match ip address 110 140	Matches the source and destination IP addresses that are permitted by one or more standard or extended access lists. ACLs can match on more than one source and destination IP address.  If you do not specify a <b>match</b> command, the route map is applicable to all packets.
Step 4	<b>match length min max</b> <b>Example:</b>	Matches the length of the packet.

	Command or Action	Purpose
	<code>Device(config-route-map)# match length 64 1500</code>	
<b>Step 5</b>	<b>set ip next-hop <i>ip-address</i> [...<i>ip-address</i>]</b> <b>Example:</b> <code>Device(config-route-map)# set ip next-hop 10.1.6.2</code>	Specifies the action to be taken on the packets that match the criteria. Sets next hop to which to route the packet (the next hop must be adjacent).
<b>Step 6</b>	<b>exit</b> <b>Example:</b> <code>Device(config-route-map)# exit</code>	Returns to global configuration mode.
<b>Step 7</b>	<b>interface <i>interface-id</i></b> <b>Example:</b> <code>Device(config)# interface gigabitethernet 1/0/1</code>	Enters interface configuration mode, and specifies the interface to be configured.
<b>Step 8</b>	<b>ip policy route-map <i>map-tag</i></b> <b>Example:</b> <code>Device(config-if)# ip policy route-map pbr-map</code>	Enables PBR on a Layer 3 interface, and identify the route map to use. You can configure only one route map on an interface. However, you can have multiple route map entries with different sequence numbers. These entries are evaluated in the order of sequence number until the first match. If there is no match, packets are routed as usual.
<b>Step 9</b>	<b>ip route-cache policy</b> <b>Example:</b> <code>Device(config-if)# ip route-cache policy</code>	(Optional) Enables fast-switching PBR. You must enable PBR before enabling fast-switching PBR.
<b>Step 10</b>	<b>exit</b> <b>Example:</b> <code>Device(config-if)# exit</code>	Returns to global configuration mode.
<b>Step 11</b>	<b>ip local policy route-map <i>map-tag</i></b> <b>Example:</b> <code>Device(config)# ip local policy route-map local-pbr</code>	(Optional) Enables local PBR to perform policy-based routing on packets originating at the switch. This applies to packets generated by the switch, and not to incoming packets.
<b>Step 12</b>	<b>end</b> <b>Example:</b> <code>Device(config)# end</code>	Returns to privileged EXEC mode.
<b>Step 13</b>	<b>show route-map [<i>map-name</i>]</b> <b>Example:</b> <code>Device# show route-map</code>	(Optional) Displays all the route maps configured or only the one specified to verify configuration.
<b>Step 14</b>	<b>show ip policy</b> <b>Example:</b> <code>Device# show ip policy</code>	(Optional) Displays policy route maps attached to the interface.

	Command or Action	Purpose
Step 15	<b>show ip local policy</b> <b>Example:</b> Device# show ip local policy	(Optional) Displays whether or not local policy routing is enabled and, if so, the route map being used.

## Filtering Routing Information

You can filter routing protocol information by performing the tasks described in this section.



**Note** When routes are redistributed between OSPF processes, no OSPF metrics are preserved.

## Setting Passive Interfaces

To prevent other routers on a local network from dynamically learning about routes, you can use the **passive-interface** router configuration command to keep routing update messages from being sent through a router interface. When you use this command in the OSPF protocol, the interface address you specify as passive appears as a stub network in the OSPF domain. OSPF routing information is neither sent nor received through the specified router interface.

In networks with many interfaces, to avoid having to manually set them as passive, you can set all interfaces to be passive by default by using the **passive-interface default** router configuration command and manually setting interfaces where adjacencies are desired.

Use a network monitoring privileged EXEC command such as **show ip ospf interface** to verify the interfaces that you enabled as passive, or use the **show ip interface** privileged EXEC command to verify the interfaces that you enabled as active.

### Procedure

	Command or Action	Purpose
Step 1	<b>configure terminal</b> <b>Example:</b> Device# configure terminal	Enters global configuration mode.
Step 2	<b>router { rip   ospf   eigrp }</b> <b>Example:</b> Device(config)# router ospf	Enters router configuration mode.
Step 3	<b>passive-interface interface-id</b> <b>Example:</b> Device(config-router)# passive-interface gigabitethernet 1/0/1	Suppresses sending routing updates through the specified Layer 3 interface.

	Command or Action	Purpose
<b>Step 4</b>	<b>passive-interface default</b> <b>Example:</b>  Device(config-router)# passive-interface default	(Optional) Sets all interfaces as passive by default.
<b>Step 5</b>	<b>no passive-interface <i>interface type</i></b> <b>Example:</b>  Device(config-router)# no passive-interface gigabitethernet1/0/3 gigabitethernet 1/0/5	(Optional) Activates only those interfaces that need to have adjacencies sent.
<b>Step 6</b>	<b>network <i>network-address</i></b> <b>Example:</b>  Device(config-router)# network 10.1.1.1	(Optional) Specifies the list of networks for the routing process. The <i>network-address</i> is an IP address.
<b>Step 7</b>	<b>end</b> <b>Example:</b>  Device(config-router)# end	Returns to privileged EXEC mode.
<b>Step 8</b>	<b>copy running-config startup-config</b> <b>Example:</b>  Device# copy running-config startup-config	(Optional) Saves your entries in the configuration file.

## Controlling Advertising and Processing in Routing Updates

You can use the **distribute-list** router configuration command with access control lists to suppress routes from being advertised in routing updates and to prevent other routers from learning one or more routes. When used in OSPF, this feature applies to only external routes, and you cannot specify an interface name.

You can also use a **distribute-list** router configuration command to avoid processing certain routes listed in incoming updates. (This feature does not apply to OSPF.)

### Procedure

	Command or Action	Purpose
<b>Step 1</b>	<b>configure terminal</b> <b>Example:</b>  Device# configure terminal	Enters global configuration mode.
<b>Step 2</b>	<b>router { rip   eigrp }</b> <b>Example:</b>  Device(config)# router eigrp 10	Enters router configuration mode.



	Command or Action	Purpose
<b>Step 3</b>	<b>distribute-list</b> { <i>access-list-number</i>   <i>access-list-name</i> } <b>out</b> [ <i>interface-name</i>   <i>routing process</i>   <i>autonomous-system-number</i> ]  <b>Example:</b>  Device(config-router)# distribute 120 out gigabitethernet 1/0/7	Permits or denies routes from being advertised in routing updates, depending upon the action listed in the access list.
<b>Step 4</b>	<b>distribute-list</b> { <i>access-list-number</i>   <i>access-list-name</i> } <b>in</b> [ <i>type-number</i> ]  <b>Example:</b>  Device(config-router)# distribute-list 125 in	Suppresses processing in routes listed in updates.
<b>Step 5</b>	<b>end</b>  <b>Example:</b>  Device(config-router)# end	Returns to privileged EXEC mode.
<b>Step 6</b>	<b>copy running-config startup-config</b>  <b>Example:</b>  Device# copy running-config startup-config	(Optional) Saves your entries in the configuration file.

## Filtering Sources of Routing Information

Because some routing information might be more accurate than others, you can use filtering to prioritize information coming from different sources. An administrative distance is a rating of the trustworthiness of a routing information source, such as a router or group of routers. In a large network, some routing protocols can be more reliable than others. By specifying administrative distance values, you enable the router to intelligently discriminate between sources of routing information. The router always picks the route whose routing protocol has the lowest administrative distance.

Because each network has its own requirements, there are no general guidelines for assigning administrative distances.

### Procedure

	Command or Action	Purpose
<b>Step 1</b>	<b>configure terminal</b>  <b>Example:</b>  Device# configure terminal	Enters global configuration mode.
<b>Step 2</b>	<b>router</b> { <i>rip</i>   <i>ospf</i>   <i>eigrp</i> }  <b>Example:</b>	Enters router configuration mode.

	Command or Action	Purpose
	Device(config)# router eigrp 10	
<b>Step 3</b>	<b>distance</b> <i>weight</i> { <i>ip-address</i> { <i>ip-address mask</i> }} [ <i>ip access list</i> ] <b>Example:</b> Device(config-router)# distance 50 10.1.5.1	Defines an administrative distance.  <i>weight</i> —The administrative distance as an integer from 10 to 255. Used alone, <i>weight</i> specifies a default administrative distance that is used when no other specification exists for a routing information source. Routes with a distance of 255 are not installed in the routing table.  (Optional) <i>ip access list</i> —An IP standard or extended access list to be applied to incoming routing updates.
<b>Step 4</b>	<b>end</b> <b>Example:</b> Device(config-router)# end	Returns to privileged EXEC mode.
<b>Step 5</b>	<b>show ip protocols</b> <b>Example:</b> Device# show ip protocols	Displays the default administrative distance for a specified routing process.
<b>Step 6</b>	<b>copy running-config startup-config</b> <b>Example:</b> Device# copy running-config startup-config	(Optional) Saves your entries in the configuration file.

## Managing Authentication Keys

Key management is a method of controlling authentication keys used by routing protocols. Not all protocols can use key management. Authentication keys are available for EIGRP and RIP Version 2.

### Prerequisites

Before you manage authentication keys, you must enable authentication. See the appropriate protocol section to see how to enable authentication for that protocol. To manage authentication keys, define a key chain, identify the keys that belong to the key chain, and specify how long each key is valid. Each key has its own key identifier (specified with the **key number** key chain configuration command), which is stored locally. The combination of the key identifier and the interface associated with the message uniquely identifies the authentication algorithm and Message Digest 5 (MD5) authentication key in use.

### How to Configure Authentication Keys

You can configure multiple keys with life times. Only one authentication packet is sent, regardless of how many valid keys exist. The software examines the key numbers in order from lowest to highest, and uses the first valid key it encounters. The lifetimes allow for overlap during key changes. Note that the router must know these lifetimes.

## Procedure

	Command or Action	Purpose
<b>Step 1</b>	<b>configure terminal</b> <b>Example:</b>  Device# configure terminal	Enters global configuration mode.
<b>Step 2</b>	<b>key chain <i>name-of-chain</i></b> <b>Example:</b>  Device(config)# key chain key10	Identifies a key chain, and enter key chain configuration mode.
<b>Step 3</b>	<b>key <i>number</i></b> <b>Example:</b>  Device(config-keychain)# key 2000	Identifies the key number. The range is 0 to 2147483647.
<b>Step 4</b>	<b>key-string <i>text</i></b> <b>Example:</b>  Device(config-keychain)# Room 20, 10th floor	Identifies the key string. The string can contain from 1 to 80 uppercase and lowercase alphanumeric characters, but the first character cannot be a number.
<b>Step 5</b>	<b>accept-lifetime <i>start-time</i> {infinite   <i>end-time</i>   <i>duration</i> <i>seconds</i>}</b> <b>Example:</b>  Device(config-keychain)# accept-lifetime 12:30:00 Jan 25 1009 infinite	(Optional) Specifies the time period during which the key can be received.  The <i>start-time</i> and <i>end-time</i> syntax can be either <i>hh:mm:ss Month date year</i> or <i>hh:mm:ss date Month year</i> . The default is forever with the default <i>start-time</i> and the earliest acceptable date as January 1, 1993. The default <i>end-time</i> and <b>duration</b> is <b>infinite</b> .
<b>Step 6</b>	<b>send-lifetime <i>start-time</i> {infinite   <i>end-time</i>   <i>duration</i> <i>seconds</i>}</b> <b>Example:</b>  Device(config-keychain)# accept-lifetime 23:30:00 Jan 25 1019 infinite	(Optional) Specifies the time period during which the key can be sent.  The <i>start-time</i> and <i>end-time</i> syntax can be either <i>hh:mm:ss Month date year</i> or <i>hh:mm:ss date Month year</i> . The default is forever with the default <i>start-time</i> and the earliest acceptable date as January 1, 1993. The default <i>end-time</i> and <b>duration</b> is <b>infinite</b> .
<b>Step 7</b>	<b>end</b> <b>Example:</b>  Device(config-keychain)# end	Returns to privileged EXEC mode.
<b>Step 8</b>	<b>show key chain</b> <b>Example:</b>  Device# show key chain	Displays authentication key information.

	Command or Action	Purpose
<b>Step 9</b>	<b>copy running-config startup-config</b> <b>Example:</b> Device# copy running-config startup-config	(Optional) Saves your entries in the configuration file.

## Monitoring and Maintaining the IP Network

You can remove all contents of a particular cache, table, or database. You can also display specific statistics.

**Table 17: Commands to Clear IP Routes or Display Route Status**

<b>clear ip route</b> { <i>network</i> [ <i>mask</i>   *]}	Clears one or more routes from the IP routing table.
<b>show ip protocols</b>	Displays the parameters and state of the active routing protocol process.
<b>show ip route</b> [ <i>address</i> [ <i>mask</i> ] [ <b>longer-prefixes</b> ]]   [ <i>protocol</i> [ <i>process-id</i> ]]	Displays the current state of the routing table.
<b>show ip route summary</b>	Displays the current state of the routing table in summary form.
<b>show ip route supernets-only</b>	Displays supernets.
<b>show ip cache</b>	Displays the routing table used to switch IP traffic.
<b>show route-map</b> [ <i>map-name</i> ]	Displays all route maps configured or only the one specified.