



Configuring IP Services

About IP Services

Cisco MDS 9000 Family switches can route IP traffic between Ethernet and Fibre Channel interfaces. The IP static routing feature is used to route traffic between VSANs. To do so, each VSAN must be in a different IP subnetwork. Each Cisco MDS 9000 Family switch provides the following services for network management systems (NMSs):

- IP forwarding on the out-of-band Ethernet interface (mgmt0) on the front panel of the supervisor modules.
- IP forwarding on in-band Fibre Channel interface using the IP over Fibre Channel (IPFC) function—IPFC specifies how IP frames can be transported over Fibre Channel using encapsulation techniques. IP frames are encapsulated into Fibre Channel frames so NMS information can cross the Fibre Channel network without using an overlay Ethernet network.
- IP routing (default routing and static routing)—If your configuration does not need an external router, you can configure a default route using static routing.

Switches are compliant with RFC 2338 standards for Virtual Router Redundancy Protocol (VRRP) features. VRRP is a restartable application that provides a redundant, alternate path to the gateway switch.



Note

For information about configuring IPv6, see [Chapter 8, “Configuring IPv6 for Gigabit Ethernet Interfaces.”](#)

This chapter includes the following sections:

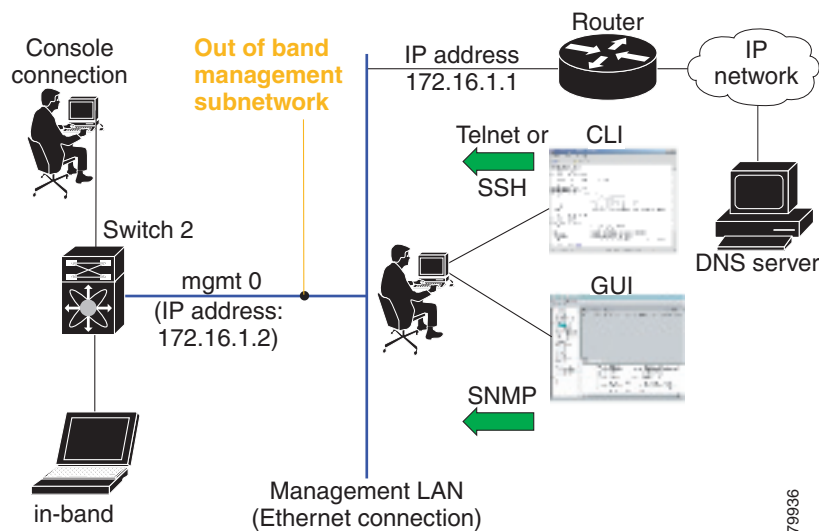
- [Traffic Management Services, page 5-168](#)
- [Management Interface Configuration, page 5-168](#)
- [Default Gateway, page 5-170](#)
- [IPv4 Default Network Configuration, page 5-173](#)
- [IPFC, page 5-174](#)
- [IPv4 Static Routes, page 5-179](#)
- [Overlay VSANs, page 5-180](#)
- [Configuring Multiple VSANs, page 5-182](#)
- [Virtual Router Redundancy Protocol, page 5-184](#)
- [DNS Server Configuration, page 5-196](#)

- [Default Settings, page 5-197](#)

Traffic Management Services

In-band options are compliant with and use the RFC 2625 standards. An NMS host running the IP protocol over an Fibre Channel interface can access the switch using the IPFC functionality. If the NMS does not have a Fibre Channel HBA, in-band management can still be performed using one of the switches as an access point to the fabric as shown in [Figure 5-1](#).

Figure 5-1 Management Access to Switches



Management Interface Configuration

The management interface on the switch allows multiple simultaneous Telnet or SNMP sessions. You can remotely configure the switch through the management interface, but first you must configure IP version 4 (IPv4) parameters (IP address, subnet mask) or an IP version 6 (IPv6) address and prefix length so that the switch is reachable. For information on configuring IPv6 addresses, see [Chapter 8, “Configuring IPv6 for Gigabit Ethernet Interfaces.”](#)

On director class switches, a single IP address is used to manage the switch. The active supervisor module's management (mgmt0) interface uses this IP address. The mgmt0 interface on the standby supervisor module remains in an inactive state and cannot be accessed until a switchover happens. After a switchover, the mgmt0 interface on the standby supervisor module becomes active and assumes the same IP address as the previously active supervisor module.



Note

The port on the Ethernet switch to which the MDS management interface is connected should be configured as a host port (also known as access port) instead of a switch port. Spanning tree configuration for that port (on the Ethernet switch) should be disabled. This helps avoid the delay in the MDS management port coming up due to delay from Ethernet spanning tree processing that the Ethernet

switch would run if enabled. For Cisco Ethernet switches, use either the **switchport host** command in Cisco IOS or the **set port host** command in the Catalyst OS. Refer to the configuration guide for your Ethernet switch.



Note Before you begin to configure the management interface manually, obtain the switch's IP address and IP subnet mask. Also make sure the console cable is connected to the console port.

To configure the mgmt0 Ethernet interface for IPv4, follow these steps:

	Command	Purpose
Step 1	switch# config terminal switch(config)#	Enters configuration mode.
Step 2	switch(config)# interface mgmt0 switch(config-if)#	Enters the interface configuration mode on the management Ethernet interface (mgmt0).
Step 3	switch(config-if)# ip address 10.1.1.1 255.255.255.0	Enters the IPv4 address (10.1.1.1) and IPv4 subnet mask (255.255.255.0) for the management interface.
Step 4	switch(config-if)# no shutdown	Enables the interface.

To configure the mgmt0 Ethernet interface for IPv6, follow these steps:

	Command	Purpose
Step 1	switch# config terminal switch(config)#	Enters configuration mode.
Step 2	switch(config)# interface mgmt0 switch(config-if)#	Enters the interface configuration mode on the management Ethernet interface (mgmt0).
Step 3	switch(config-if)# ipv6 address 2001:0db8:800:200c::417a/64	Enters the IPv6 address (2001:0DB8:800:200C::417A) and IPv6 prefix length (/64) for the management interface and enables IPv6 processing on the interface.
	switch(config-if)# ipv6 enable	Automatically configures a link-local IPv6 address on the interface and enables IPv6 processing on the interface.
Step 4	switch(config-if)# no shutdown	Enables the interface.

To configure the mgmt0 Ethernet interface using Device Manager for IPv6, follow these steps:

- Step 1** Select **Interface > Mgmt > Mgmt0**.
- Step 2** Enter the description.
- Step 3** Select the administrative state of the interface.
- Step 4** Check the **CDP** check box to enable CDP.
- Step 5** Enter the IP address mask.
- Step 6** Click **Apply** to apply the changes.

Default Gateway

You can configure a default gateway IPv4 address on your Cisco MDS 9000 Family switch.

This section includes the following topics:

- [About the Default Gateway, page 5-170](#)
- [Configuring the Default Gateway, page 5-170](#)
- [Verifying the Default Gateway Configuration, page 5-172](#)

About the Default Gateway

The default gateway IPv4 address should be configured along with the IPv4 static routing attributes (IP default network, destination prefix, and destination mask, and next hop address). If you configure the static route IP forwarding and the default-network details, these IPv4 addresses will be used regardless of the default-gateway being enabled or disabled.

The default gateway IPv4 address should be configured along with the IPv4 static routing attributes commands (IP default network, destination prefix, and destination mask, and next hop address).



Tip

If you configure the static route IP forwarding and the default-network details, these IPv4 addresses will be used regardless of the default-gateway being enabled or disabled. If these IP addresses are configured but not available, the switch will fall back to using the default gateway IP address, if you have configured it. Be sure to configure IP addresses for all entries in the switch.

Use the **ip default-gateway** command to configure the IP address for a switch's default gateway and the **show ip route** command to verify that the IPv4 address for the default gateway is configured.

Configuring the Default Gateway

To configure an IP route using Fabric Manager, follow these steps:

Step 1 Select **Switches > Interfaces > Management**, and select **IP** in the Physical Attributes pane.

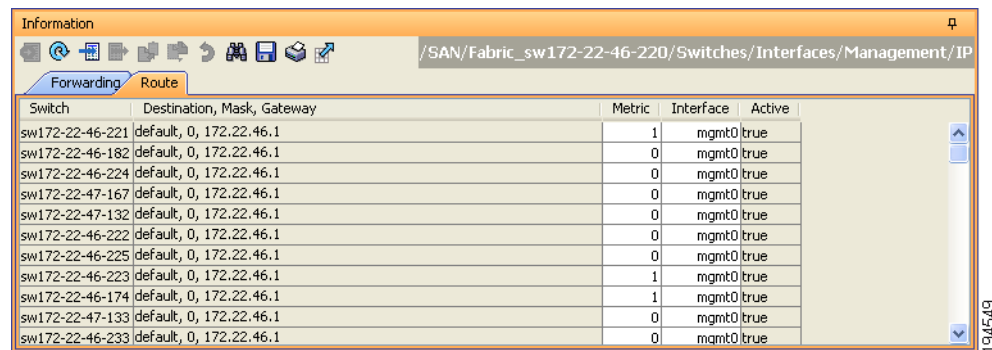
Step 2 Click the **Route** tab in the information pane.

You see the IP route window showing the switch name, destination, mask, gateway, metric, interface, and active status of each IP route as shown in [Figure 5-2](#).

To configure the default gateway, follow these steps:

	Command	Purpose
Step 1	switch# config t switch(config)#	Enters configuration mode.
Step 2	switch(config)# ip default-gateway 1.12.11.1	Configures the IPv4 address for the default gateway.

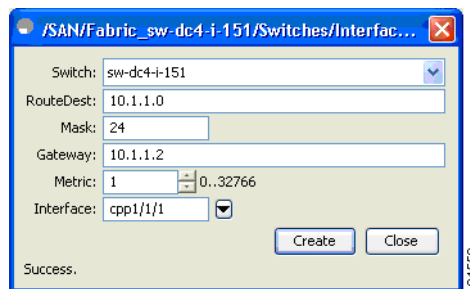
Figure 5-2 IP Route For Multiple Switches



Switch	Destination, Mask, Gateway	Metric	Interface	Active
sw172-22-46-221	default, 0, 172.22.46.1	1	mgmt0	true
sw172-22-46-182	default, 0, 172.22.46.1	0	mgmt0	true
sw172-22-46-224	default, 0, 172.22.46.1	0	mgmt0	true
sw172-22-47-167	default, 0, 172.22.46.1	0	mgmt0	true
sw172-22-47-132	default, 0, 172.22.46.1	0	mgmt0	true
sw172-22-46-222	default, 0, 172.22.46.1	0	mgmt0	true
sw172-22-46-225	default, 0, 172.22.46.1	0	mgmt0	true
sw172-22-46-223	default, 0, 172.22.46.1	1	mgmt0	true
sw172-22-46-174	default, 0, 172.22.46.1	1	mgmt0	true
sw172-22-47-133	default, 0, 172.22.46.1	0	mgmt0	true
sw172-22-46-233	default, 0, 172.22.46.1	0	mgmt0	true

- Step 3** Click the **Create Row** icon to add a new IP route.
You see the dialog box shown in Figure 5-3.

Figure 5-3 User-Defined Command Dialog Box



Switch: sw-dc4-i-151
 RouteDest: 10.1.1.0
 Mask: 24
 Gateway: 10.1.1.2
 Metric: 1
 Interface: cpp1/1/1

Success.

- Step 4** Complete the fields in this window.
- Enter the switch name in the Switch field.
 - Configure a static route, by entering the destination network ID and subnet mask in the Routedest and Mask fields.
 - Configure a default gateway by entering the IP address of the seed switch in the Gateway field.
 - Set the Metric and Interface fields.

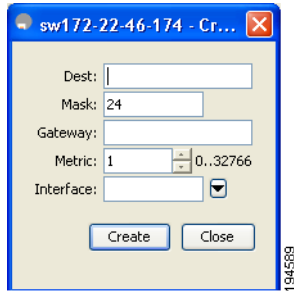
**Note**

With Cisco NX-OS Release 4.2(1) and later, CPP interfaces also are available for selection when you create a new IP route.

- Step 5** Click the **Create** icon.

To configure an IP route or identify the default gateway using Device Manager, follow these steps:

- Step 1** Choose **IP > Routes**.
You see the IP Routes window.
- Step 2** Create a new IP route or identify the default gateway on a switch by clicking **Create**.
You see the dialog box shown in Figure 5-4.

Figure 5-4 User-Defined Command Dialog Box

Step 3 Complete the fields in this window.

- Enter the switch name in the Switch field.
- Configure a static route, by entering the destination network ID and subnet mask in the Routedest and Mask fields.
- Configure a default gateway by entering the IP address of the seed switch in the Gateway field.
- Set the Metric and Interface fields.

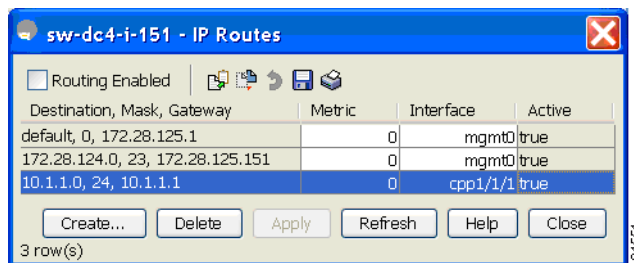


Note With Cisco NX-OS Release 4.2(1) and later, CPP interfaces also are available for selection when you create a new IP route.

If you choose the CPP interface, the switch uses the input CPP-assigned IP address and mask to generate the IP route prefix.

Step 4 Click **Create** to add the IP route.

The new IP route is created as shown in [Figure 5-5](#).

Figure 5-5 IP Route Window

Note You cannot delete the switch-generated IP route for the CPP interface. If you try to delete the IP route for the CPP interface, SNMP displays this error message:

```
ip: route type not supported.
```

Verifying the Default Gateway Configuration

Use the **show ip route** command to verify the default gateway configuration.

```

switch# show ip route

Codes: C - connected, S - static

Gateway of last resort is 1.12.11.1

S 5.5.5.0/24 via 1.1.1.1, GigabitEthernet1/1
C 1.12.11.0/24 is directly connected, mgmt0
C 1.1.1.0/24 is directly connected, GigabitEthernet1/1
C 3.3.3.0/24 is directly connected, GigabitEthernet1/6
C 3.3.3.0/24 is directly connected, GigabitEthernet1/5
S 3.3.3.0/24 via 1.1.1.1, GigabitEthernet1/1

```

IPv4 Default Network Configuration

If you assign the IPv4 default network address, the switch considers routes to that network as the last resort. If the IPv4 default network address is not available, the switch uses the IPv4 default gateway address. For every network configured with the IPv4 default network address, the switch flags that route as a candidate default route, if the route is available.

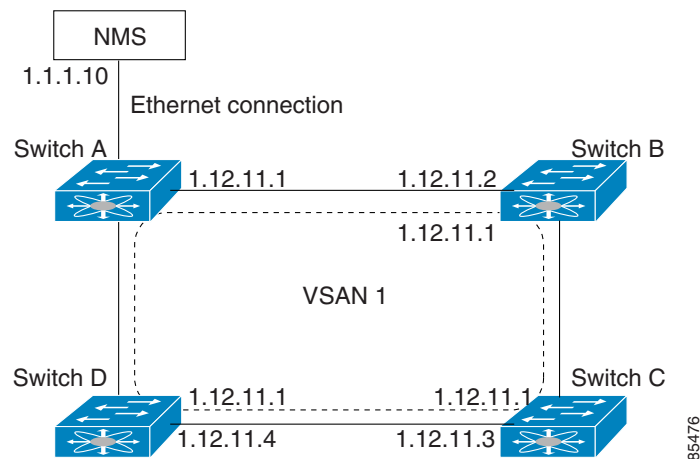


Tip

If you configure the static route IP forwarding and the default network details, these IPv4 addresses will be used regardless of the default gateway being enabled or disabled. If these IPv4 addresses are configured and not available, the switch will fall back to using the default gateway IPv4 address, if you have configured it. Be sure to configure IPv4 addresses for all entries in the switch if you are using IPv4.

When the Ethernet interface is configured, the switch should point to the gateway router for the IP network. The host accesses the gateway using a gateway switch. This gateway switch is configured as the default gateway. The other switches in the fabric that are connected to the same VSAN as the gateway switch can also be connected through the gateway switch. Every interface connected to this VSAN should be configured with the VSAN IPv4 address of the gateway switch as shown in [Figure 5-6](#).

Figure 5-6 Overlay VSAN Functionality



In [Figure 5-1](#), switch A has the IPv4 address 1.12.11.1, switch B has the IPv4 address 1.12.11.2, switch C has the IPv4 address 1.12.11.3, and switch D has the IPv4 address 1.12.11.4. Switch A is the gateway switch with the Ethernet connection. The NMS uses the IPv4 address 1.1.1.10 to connect to the gateway switch. Frames forwarded to any switch in the overlaid VSAN 1 are routed through the gateway switch. Configuring the gateway switch's IPv4 address (1.12.11.1) in the other switches enable the gateway switch to forward the frame to the intended destination. Similarly, if a non-gateway switch in the VSAN forwards a frame to the Ethernet, the frame is routed through the gateway switch.

When forwarding is disabled (default), IP frames are not sent from one interface to another. In these cases, the software performs local IP routing between two switches using the in-band option for Fibre Channel traffic and the mgmt0 option for Ethernet traffic.

When a VSAN is created, a VSAN interface is not created automatically. You need to specifically create the interface.

To configure default networks using IPv4 addresses, follow these steps:

	Command	Purpose
Step 1	switch# config t	Enters configuration mode.
Step 2	switch(config)# ip default-network 190.10.1.0	Configures the IPv4 address for the default network (190.10.1.0).
	switch(config)# ip route 10.0.0.0 255.0.0.0 131.108.3.4 switch(config)# ip default-network 10.0.0.0	Defines a static route to network 10.0.0.0 as the static default route.

IPFC

IPFC provides IP forwarding on in-band switch management over a Fibre Channel interface (rather than out-of-band using the Gigabit Ethernet mgmt 0 interface). You can use IPFC to specify that IP frames can be transported over Fibre Channel using encapsulation techniques. IP frames are encapsulated into Fibre Channel frames so NMS information can cross the Fibre Channel network without using an overlay Ethernet network.

Once the VSAN interface is created, you can specify the IP address for that VSAN. You can assign an IPv4 address or an IPv6 address.



Note

See the [Chapter 8, “Configuring IPv6 for Gigabit Ethernet Interfaces”](#) for information about configuring IPv6 on the Cisco MDS 9000 Family switches.

This topic includes the following sections:

- [IPFC Configuration Guidelines, page 5-175](#)
- [Configuring an IPv4 Address in a VSAN, page 5-175](#)
- [Verifying the VSAN Interface Configuration, page 5-175](#)
- [Enabling IPv4 Routing, page 5-175](#)
- [Verifying the IPv4 Routing Configuration, page 5-176](#)
- [IPFC Configuration Example, page 5-176](#)

IPFC Configuration Guidelines

Follow these guidelines to configure IPFC:

1. Create the VSAN to use for in-band management, if necessary.
2. Configure an IPv4 address and subnet mask for the VSAN interface.
3. Enable IPv4 routing.
4. Verify connectivity.

Configuring an IPv4 Address in a VSAN

To create a VSAN interface and configure an IPv4 address for that interface, follow these steps:

	Command	Purpose
Step 1	switch# config t	Enters configuration mode.
Step 2	switch(config)# interface vsan 10 switch(config-if)#	Configures the interface for the specified VSAN (10).
Step 3	switch(config-if)# ip address 10.0.0.12 255.255.255.0	Configures the IPv4 address and netmask for the selected interface.
Step 4	switch(config-if)# no shutdown	Enables the interface.

Verifying the VSAN Interface Configuration

Use the **show interface vsan** command to verify the configuration of the VSAN interface.



Note

You can see the output for this command only if you have previously configured a VSAN interface.

```
switch# show interface vsan 1
vsan1 is down (Administratively down)
  WWPN is 10:00:00:0c:85:90:3e:85, FCID not assigned
  Internet address is 10.0.0.12/24
  MTU 1500 bytes, BW 1000000 Kbit
  0 packets input, 0 bytes, 0 errors, 0 multicast
  0 packets output, 0 bytes, 0 errors, 0 dropped
```

Enabling IPv4 Routing

By default, the IPv4 routing feature is disabled in all switches.

To enable the IPv4 routing feature, follow these steps:

	Command	Purpose
Step 1	switch# config t	Enters configuration mode.
Step 2	switch(config)# ip routing	Enables IPv4 routing (disabled by default).
Step 3	switch(config)# no ip routing	Disables IPv4 routing and reverts to the factory settings.

Verifying the IPv4 Routing Configuration

Use the **show ip routing** command to verify the IPv4 routing configuration.

```
switch(config)# show ip routing
ip routing is enabled
```

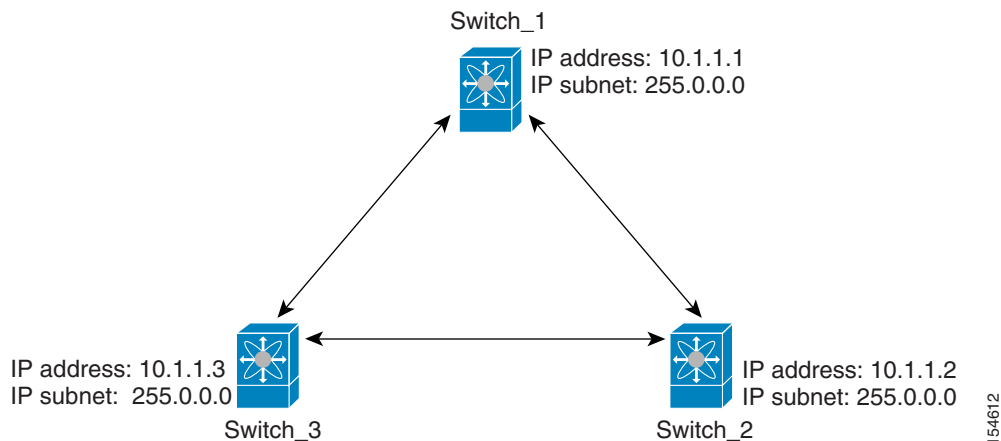
IPFC Configuration Example

This section describe an example configuration for IPFC. [Figure 5-7](#) shows an example network.

The example network has the following links:

- Switch_1 is connected to the main network by the mgmt 0 interface and to the fabric by an ISL.
- Switch_2 and Switch_3 are connected to the fabric by an ISL but are not connected to the main network.

Figure 5-7 IPFC Example Network



The following steps show how to configure Switch_1 in the example network in [Figure 5-7](#):

Step 1 Create the VSAN interface and enter interface configuration submode.

```
switch_1# config t
switch_1(config)# interface vsan 1
switch_1(config-if)#
```

Step 2 Configure the IP address and subnet mask.

```
switch_1(config-if)# ip address 10.1.1.1 255.0.0.0
```

Step 3 Enable the VSAN interface and exit interface configuration submode.

```
switch_1(config-if)# no shutdown
switch_1(config-if)# exit
switch_1(config)#
```

Step 4 Enable IPv4 routing.

```
switch_1(config)# ip routing
```

```
switch_1(config)# exit
switch_1#
```

Step 5 Display the routes.

```
switch_1# show ip route

Codes: C - connected, S - static

C 172.16.1.0/23 is directly connect, mgmt0
C 10.0.0.0./8 is directly connected, vsan1
```

The following steps show how to configure Switch_2 in the example network in [Figure 5-7](#):

Step 1 Enable the mgmt 0 interface.



Note Configure this switch using the console connection.

```
switch_2# config t
switch_2(config)# interface mgmt 0
switch_2(config-if)# no shutdown
switch_2(config-if)# exit
switch_2(config)#
```

Step 2 Create the VSAN interface and enter interface configuration submode.

```
switch_2# config t
switch_2(config)# interface vsan 1
switch_2(config-if)#
```

Step 3 Configure the IP address and subnet mask.

```
switch_2(config-if)# ip address 10.1.1.2 255.0.0.0
```

Step 4 Enable the VSAN interface and exit interface configuration submode.

```
switch_2(config-if)# no shutdown
switch_2(config-if)# exit
switch_2(config)#
```

Step 5 Enable IPv4 routing.

```
switch_2(config)# ip routing
switch_2(config)# exit
switch_2#
```

Step 6 Display the routes.

```
switch_2# show ip route

Codes: C - connected, S - static

C 10.0.0.0./8 is directly connected, vsan1
```

Step 7 Verify the connectivity to Switch_1.

```
switch_2# ping 10.1.1.1
PING 10.1.1.1 (10.1.1.1) 56(84) bytes of data.
64 bytes from 10.1.1.1: icmp_seq=1 ttl=64 time=0.618 ms
64 bytes from 10.1.1.1: icmp_seq=2 ttl=64 time=0.528 ms
```

```
64 bytes from 10.1.1.1: icmp_seq=3 ttl=64 time=0.567 ms

--- 10.1.1.1 ping statistics ---
3 packets transmitted, 3 received, 0% packet loss, time 4998 ms
rtt min/avg/max/mdev = 0.528/0.570/0.618/0.057 ms
```

The following steps show how to configure Switch_3 in the example network in [Figure 5-7](#):

Step 1 Enable the mgmt 0 interface.



Note Configure this switch using the console connection.

```
switch_3# config t
switch_3(config)# interface mgmt 0
switch_3(config-if)# no shutdown
switch_3(config-if)# exit
switch_3(config)#
```

```
switch_3# config t
switch_3(config)# interface vsan 1
switch_3(config-if)#
```

Step 2 Configure the IP address and subnet mask.

```
switch_3(config-if)# ip address 10.1.1.3 255.0.0.0
```

Step 3 Enable the VSAN interface and exit interface configuration submenu.

```
switch_3(config-if)# no shutdown
switch_3(config-if)# exit
switch_3(config)#
```

Step 4 Enable IPv4 routing.

```
switch_3(config)# ip routing
switch_3(config)# exit
switch_3#
```

Step 5 Display the routes.

```
switch_3# show ip route

Codes: C - connected, S - static

C 10.0.0.0/8 is directly connected, vsan1
```

Step 6 Verify the connectivity to Switch_1.

```
switch_3# ping 10.1.1.1
PING 10.1.1.1 (10.1.1.1) 56(84) bytes of data.
64 bytes from 10.1.1.1: icmp_seq=1 ttl=64 time=1.19 ms
64 bytes from 10.1.1.1: icmp_seq=2 ttl=64 time=0.510 ms
64 bytes from 10.1.1.1: icmp_seq=3 ttl=64 time=0.653 ms

--- 10.1.1.1 ping statistics ---
3 packets transmitted, 3 received, 0% packet loss, time 2008 ms
rtt min/avg/max/mdev = 0.510/0.787/1.199/0.297 ms
```

IPv4 Static Routes

If your network configuration does not need an external router, you can configure IPv4 static routing on your MDS switch.


Note

For information about IPv6 static routing, see the [Chapter 8, “Configuring IPv6 for Gigabit Ethernet Interfaces.”](#)

This section includes the following topics:

- [About IPv4 Static Routes, page 5-179](#)
- [Configuring IPv4 Static Routes, page 5-179](#)
- [Verifying IPv4 Static Route Information, page 5-179](#)
- [Displaying and Clearing ARPs, page 5-180](#)

About IPv4 Static Routes

Static routing is a mechanism to configure IPv4 routes on the switch. You can configure more than one static route.

If a VSAN has multiple exit points, configure static routes to direct traffic to the appropriate gateway switch. IPv4 routing is disabled by default on any gateway switch between the out-of-band management interface and the default VSAN, or between directly connected VSANs.

Configuring IPv4 Static Routes

To configure an IPv4 static route, follow these steps:

	Command	Purpose
Step 1	switch# config t	Enters configuration mode.
Step 2	switch(config)# ip route <i>network IP address netmask next hop IPv4 address distance number interface vsan number</i> For example: switch(config)# ip route 10.0.0.0 255.0.0.0 20.20.20.10 distance 10 interface vsan 1 switch(config)#	Configures the static route for the specified IPv4 address, subnet mask, next hop, distance, and interface.

Verifying IPv4 Static Route Information

Use the **show ip route** command to verifying the IPv4 static route configuration.

```
switch# show ip route configured
Destination          Gateway             Mask Metric         Interface
-----
          default          172.22.95.1        0.0.0.0    0                mgmt0
          10.1.1.0            0.0.0.0           255.255.255.0 0                vsan1
          172.22.95.0         0.0.0.0           255.255.255.0 0                mgmt0
```

Use the **show ip route** command to verifying the active and connected IPv4 static route.

```
switch# show ip route

Codes: C - connected, S - static

Default gateway is 172.22.95.1

C 172.22.95.0/24 is directly connected, mgmt0
C 10.1.1.0/24 is directly connected, vsan1
```

Example 5-1 Displays the IP Routing Status

```
switch# show ip routing
ip routing is disabled
```

Displaying and Clearing ARPs

Address Resolution Protocol (ARP) entries in Cisco MDS 9000 Family switches can be displayed, deleted, or cleared. The ARP feature is enabled on all switches.

- Use the **show arp** command to display the ARP table.

```
switch# show arp
Protocol Address          Age (min)  Hardware Addr  Type  Interface
Internet 171.1.1.1              0  0006.5bec.699c  ARPA  mgmt0
Internet 172.2.0.1              4  0000.0c07.ac01  ARPA  mgmt0
```

- Use the **no arp** command in configuration mode to remove an ARP entry from the ARP table.

```
switch(config)# no arp 172.2.0.1
```

- Use the **clear arp** command to delete all entries from the ARP table. The ARP table is empty by default.

```
switch# clear arp-cache
```

Overlay VSANs

This section describes overlay VSANs and how to configure them.

This section includes the following topics:

- [About Overlay VSANs, page 5-180](#)
- [Configuring Overlay VSANs, page 5-181](#)

About Overlay VSANs

VSANs enable deployment of larger SANs by overlaying multiple logical SANs, each running its own instance of fabric services, on a single large physical network. This partitioning of fabric services reduces network instability by containing fabric reconfiguration and error conditions within an individual VSAN. VSANs also provide the same isolation between individual VSANs as physically

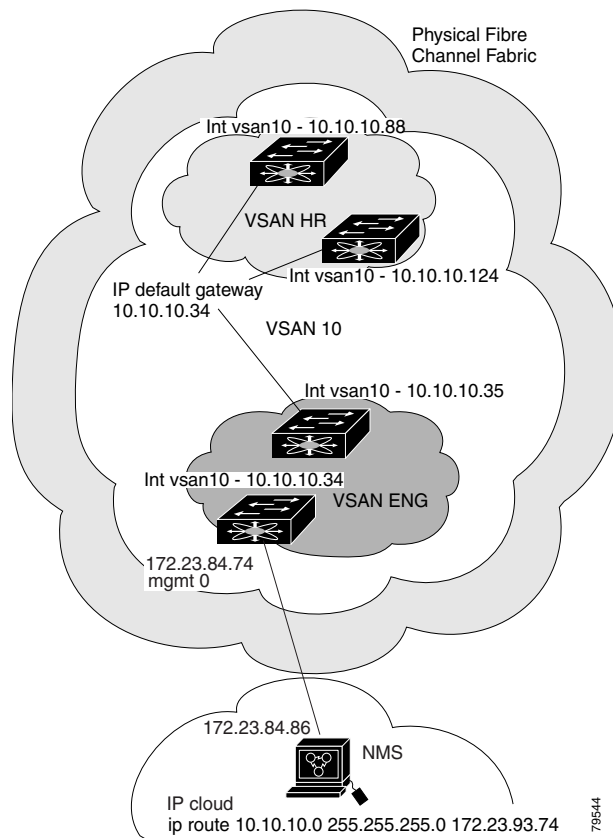
separated SANs. Traffic cannot cross VSAN boundaries and devices may not reside in more than one VSAN. Because each VSAN runs separate instances of fabric services, each VSAN has its own zone server and can be zoned in exactly the same way as SANs without VSAN capability.

Configuring Overlay VSANs

To configure an overlay VSAN, follow these steps:

- Step 1** Add the VSAN to the VSAN database on all switches in the fabric.
- Step 2** Create a VSAN interface for the VSAN on all switches in the fabric. Any VSAN interface belonging to the VSAN has an IP address in the same subnet. Create a route to the IPFC cloud on the IP side.
- Step 3** Configure a default route on every switch in the Fibre Channel fabric pointing to the switch that provides NMS access.
- Step 4** Configure the default gateway (route) and the IPv4 address on switches that point to the NMS as shown in [Figure 5-8](#).

Figure 5-8 Overlay VSAN Configuration Example



79544



Note To configure the management interface displayed in [Figure 5-8](#), set the default gateway to an IPv4 address on the Ethernet network.

The following procedure configures an overlay VSAN in one switch. This procedure must be repeated for each switch in the fabric.

To configure an overlay VSAN in one switch (using the example in [Figure 5-8](#)), follow these steps:

	Command	Purpose
Step 1	switch# config t	Enters configuration mode.
Step 2	switch(config)# vsan database switch-config-vsan-db#	Configures the VSAN database.
Step 3	switch--config-vsan-db# vsan 10 name MGMT_VSAN	Defines the VSAN in the VSAN database on all of the switches in the Fibre Channel fabric.
Step 4	switch--config-vsan-db# exit switch(config)#	Exits the VSAN database mode.
Step 5	switch(config)# interface vsan 10 switch(config-if)#	Creates a VSAN interface (VSAN 10).
Step 6	switch(config-if)# ip address 10.10.10.0 netmask 255.255.255.0	Assigns an IPv4 address and subnet mask for this switch.
Step 7	switch(config-if)# no shutdown	Enables the configured interface.
Step 8	switch(config-if)# end switch#	Exits to EXEC mode.
Step 9	switch# exit	Exits the switch and returns to the NMS. In this example the NMS is assumed to be on the same subnet of the Ethernet management interface of the edge that provides access to the Fibre Channel fabric.

To configure the NMS station displayed in [Figure 5-8](#), follow this step:

	Command	Purpose
Step 1	nms# route ADD 10.10.10.0 MASK 255.255.255.0 172.22.93.74	Defines a static route on the NMS pointing to the management interface of the edge switch that provides access to the Fibre Channel fabric.

Configuring Multiple VSANs

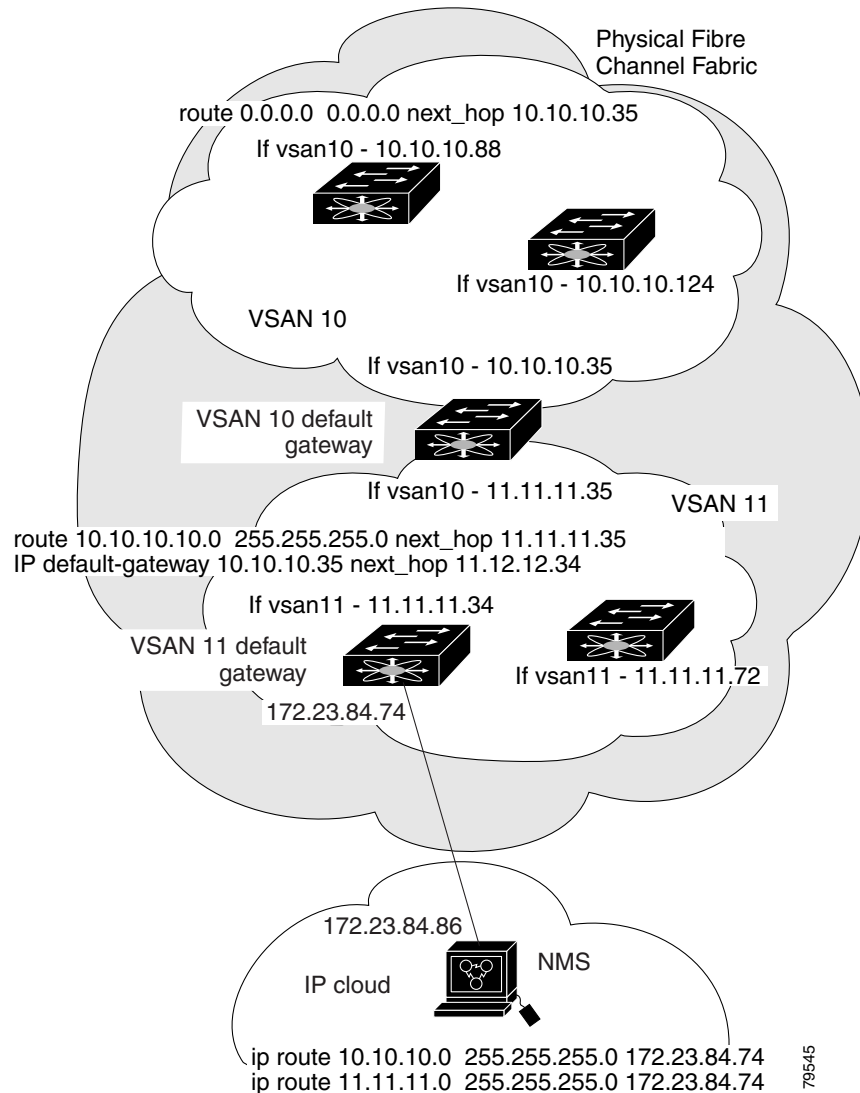
More than one VSAN can be used to segment the management network in multiple subnets. An active interface must be present on the switch for the VSAN interface to be enabled.

To configure multiple VSANs, follow these steps:

- Step 1** Add the VSAN to the VSAN database on any switch in the fabric.
- Step 2** Create a VSAN interface for the appropriate VSAN on any switch in the fabric.
- Step 3** Assign an IP address on every VSAN interface on the same subnet as the corresponding VSAN.

Step 4 Define the multiple static routes on the Fibre Channel switches and the IP cloud as shown in [Figure 5-9](#).

Figure 5-9 Multiple VSAN Configuration Example



To configure an overlay VSAN (using the example in [Figure 5-9](#)), follow these steps:

	Command	Purpose
Step 1	switch# config t	Enters configuration mode.
Step 2	switch(config)# vsan database switch-config-vsantdb#	Configures the VSAN database.
Step 3	switch-config-vsantdb# vsan 10 name MGMT_VSAN_10 switch-config-vsantdb#	Defines the VSAN in the VSAN database on all of the switches in VSAN 10.
Step 4	switch-config-vsantdb# exit switch(config)#	Exits the VSAN database configuration submode.

	Command	Purpose
Step 5	switch-config-vsan-db# vsan 11 name MGMT_VSAN_11 switch-config-vsan-db#	Defines the VSAN in the VSAN database on all of the switches in VSAN 11.
Step 6	switch-config-vsan-db# exit switch(config)#	Exits the VSAN database configuration submode.
Step 7	switch(config)# interface vsan 10 switch(config-if)#	Enters the interface configuration submode for VSAN 10.
Step 8	switch(config-if)# ip address 10.10.10.0 netmask 255.255.255.0 switch(config-if)#	Assigns an IPv4 address and subnet mask for this interface.
Step 9	switch(config-if)# no shutdown	Enables the configured interface for VSAN 10.
Step 10	switch(config-if)# exit switch(config)#	Exits the VSAN 10 interface mode.
Step 11	switch(config)# interface vsan 11 switch(config-if)#	Enters the interface configuration submode for VSAN 11.
Step 12	switch(config-if)# ip address 11.11.11.0 netmask 255.255.255.0 switch(config-if)#	Assigns an IPv4 address and subnet mask for this interface.
Step 13	switch(config-if)# no shutdown	Enables the configured interface for VSAN 11.
Step 14	switch(config-if)# end switch#	Exits to EXEC mode.
Step 15	switch# exit	Exits the switch and returns to the NMS. In this example the NMS is assumed to be on the same subnet of the Ethernet management interface of the edge switch that provides access to the Fibre Channel fabric.
Step 16	NMS# route ADD 10.10.10.0 MASK 255.255.255.0 172.22.93.74	Defines a static route on the NMS pointing to the management interface of the edge switch that provides access to the IPv4 cloud.
Step 17	NMS# route ADD 11.11.11.0 MASK 255.255.255.0 172.22.93.74	Defines a static route for VSAN 11 on the NMS pointing to the management interface of the edge switch that provides access to the Fibre Channel fabric.
Step 18	switch# route 10.10.10.0 255.255.255.0 next_hop 11.11.11.35	Defines the route to reach subnet 10 from subnet 11.

Virtual Router Redundancy Protocol

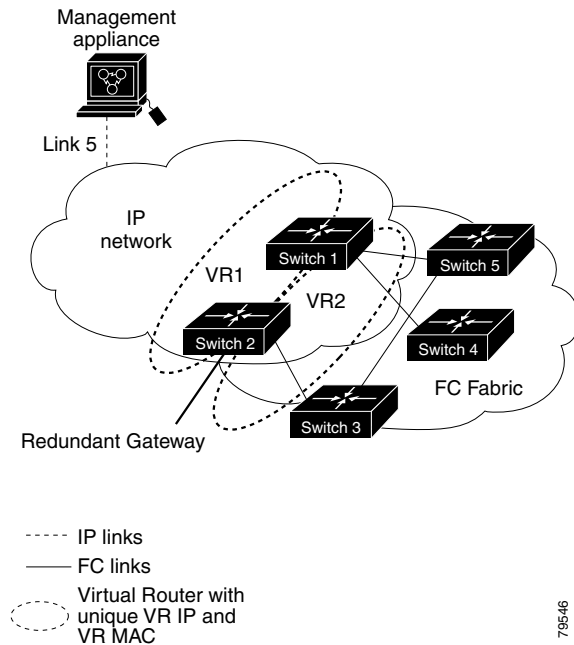
Cisco MDS 9000 Family switches are compliant with RFC 2338 standards for Virtual Router Redundancy Protocol (VRRP) features. This section provides details on the VRRP feature.

This section includes the following topics:

- [About VRRP, page 5-185](#)

In [Figure 5-11](#), the fabric example has two virtual router groups (VR1 and VR 2) because a virtual router cannot span across different types of interfaces. In both switch 1 and switch 2, the Ethernet interface is in VR 1 and the FC interface is in VR 2. Each virtual router is uniquely identified by the VSAN interface and the VR ID.

Figure 5-11 Redundant Gateway



Configuring VRRP

This section describes how to configure VRRP and includes the following topics:

- [Adding and Deleting a Virtual Router, page 5-187](#)
- [Virtual Router Initiation, page 5-187](#)
- [Adding Virtual Router IP Addresses, page 5-188](#)
- [Setting the Priority for the Virtual Router, page 5-189](#)
- [Setting the Time Interval for Advertisement Packets, page 5-190](#)
- [Configuring or Enabling Priority Preemption, page 5-190](#)
- [Setting Virtual Router Authentication, page 5-191](#)
- [Tracking the Interface Priority, page 5-192](#)
- [Displaying IPv4 VRRP Information, page 5-193](#)
- [Displaying IPv6 VRRP Information, page 5-194](#)
- [Displaying VRRP Statistics, page 5-195](#)
- [Clearing VRRP Statistics, page 5-195](#)

Adding and Deleting a Virtual Router

All VRRP configurations should be replicated across switches in a fabric that runs VRRP.



Note

The total number of VRRP groups that you can configure on a Gigabit Ethernet port, including main interfaces and subinterfaces, cannot exceed seven. This limitation applies to both IPv4 and IPv6 groups.

To create or remove a VR for IPv4, follow these steps:

	Command	Purpose
Step 1	switch# config t switch(config)#	Enters configuration mode.
Step 2	switch(config)# interface vsan 10 switch(config-if)#	Configures a VSAN interface (VSAN 10).
Step 3	switch(config-if)# vrrp 250 switch(config-if-vrrp)#	Creates VR ID 250.
	switch(config-if)# no vrrp 250	Removes VR ID 250.

To create or remove a VR for IPv6, follow these steps:

	Command	Purpose
Step 1	switch# config t switch(config)#	Enters configuration mode.
Step 2	switch(config)# interface vsan 10 switch(config-if)#	Configures a VSAN interface (VSAN 10).
Step 3	switch(config-if)# vrrp ipv6 250 switch(config-if-vrrp-ipv6)#	Creates VR ID 250.
	switch(config-if)# no vrrp ipv6 250	Removes VR ID 250.

Virtual Router Initiation

By default, a virtual router is always disabled. VRRP can be configured only if this state is enabled. Be sure to configure at least one IP address, either IPv4 or IPv6, before attempting to enable a VR.

To enable or disable a virtual router configure for IPv4, follow these steps:

	Command	Purpose
Step 1	switch(config-if-vrrp)# no shutdown	Enables VRRP configuration.
	switch(config-if-vrrp)# shutdown	Disables VRRP configuration.

To enable or disable a virtual router configured for IPv6, follow these steps:

	Command	Purpose
Step 1	switch(config-if-vrrp-ipv6)# no shutdown	Enables VRRP configuration.
	switch(config-if-vrrp-ipv6)# shutdown	Disables VRRP configuration.

Adding Virtual Router IP Addresses

One virtual router IP address can be configured for a virtual router. If the configured IP address is the same as the interface IP address, this switch automatically owns the IP address. You can configure either an IPv4 address or an IPv6 address.

According to the VRRP specification, the master VRRP router drops the packets addressed to the virtual router's IP address because the virtual router is only intended as a next-hop router to forward packets. In MDS switches however, some applications require that packets addressed to virtual router's IP address be accepted and delivered to them. By using the **secondary** option to the virtual router IPv4 address, the VRRP router will accept these packets when it is the master.

To manage IP addresses for virtual routers from Device Manager, follow these steps:

-
- Step 1** Choose **IP > VRRP**. You see the **Operations** tab of the VRRP dialog box.
 - Step 2** Click the **IP Addresses** tab on the VRRP dialog box.
 - Step 3** To create a new VRRP entry, click **Create**. You see the Create VRRP IP Addresses window.
 - Step 4** Complete the fields in this window to create a new VRRP IP address, and click **OK** or **Apply**.
-

To configure an IPv4 address for a virtual router, follow these steps:

	Command	Purpose
Step 1	switch# config t	Enters configuration mode.
Step 2	switch(config)# interface vsan 10 switch(config-if)#	Configures a VSAN interface (VSAN 10).
Step 3	switch(config-if)# interface ip address 10.0.0.12 255.255.255.0	Configures an IPv4 address and subnet mask. The IPv4 address must be configured before the VRRP is added.
Step 4	switch(config-if)# vrrp 250 switch(config-if-vrrp)#	Creates VR ID 250.
Step 5	switch(config-if-vrrp)# address 10.0.0.10	Configures the IPv4 address for the selected VR. Note This IP v4address should be in the same subnet as the IPv4 address of the interface.
	switch(config-if-vrrp)# no address 10.0.0.10	Removes the IP address for the selected VR.
Step 6	switch(config-if-vrrp)# address 10.0.0.10 secondary	Configures the IP address (10.0.0.10) as secondary for the selected VR. Note The secondary option should be used only with applications that require VRRP routers to accept the packets sent to the virtual router's IP address and deliver to them.
	switch(config-if-vrrp)# no address 10.0.0.10 secondary	Removes the IP address (10.0.0.10) as secondary for the selected VR.

To configure an IPv6 address for a virtual router, follow these steps:

	Command	Purpose
Step 1	switch# config t	Enters configuration mode.
Step 2	switch(config)# interface vsan 12 switch(config-if)#	Configures a VSAN interface (VSAN 12).
Step 3	switch(config-if)# interface ipv6 address 2001:0db8:800:200c::417a/64	Configures an IP address and prefix. The IPv6 address must be configured before the VRRP is added.
Step 4	switch(config-if)# vrrp ipv6 200 switch(config-if-vrrp-ipv6)#	Creates VR ID 200.
Step 5	switch(config-if-vrrp-ipv6)# address 2001:0db8:800:200c::417a	Assigns single primary link-local IPv6 address or one of the multiple secondary IPv6 addresses. Note If this IPv6 address is the same as the physical IPv6 address, this switch is automatically the owner of this IPv6 address.
	switch(config-if-vrrp-ipv6)# no address 2001:0db8:800:200c::417a	Removes the IPv6 address for the selected VR.

Setting the Priority for the Virtual Router

The valid range to assign a virtual router priority is 1 to 254 with 1 being the lowest priority and 254 being the highest priority. The default value is 100 for switches with secondary IP addresses and 255 for switches with the primary IP address.

To set the priority for a virtual router using IPv4, follow these steps:

	Command	Purpose
Step 1	switch# config t	Enters configuration mode.
Step 2	switch(config)# interface vsan 10 switch(config-if)#	Configures a VSAN interface (VSAN 10).
Step 3	switch(config-if)# vrrp 250 switch(config-if-vrrp)#	Creates a virtual router.
Step 4	switch(config-if-vrrp)# priority 2	Configures the priority for the selected VRRP. Note Priority 255 cannot be preempted.
	switch(config-if-vrrp)# no priority	Reverts to the default value (100 for switch with the secondary IPv4 addresses and 255 for switches with the primary IPv4 address).

To set the priority for a virtual router using IPv6, follow these steps:

	Command	Purpose
Step 1	switch# config t	Enters configuration mode.
Step 2	switch(config)# interface vsan 12 switch(config-if)#	Configures a VSAN interface (VSAN 12).
Step 3	switch(config-if)# vrrp ipv6 200 switch(config-if-vrrp-ipv6)#	Creates a virtual router.

	Command	Purpose
Step 4	<code>switch(config-if-vrrp-ipv6)# priority 2</code>	Configures the priority for the selected VRRP. Note Priority 255 cannot be preempted.
	<code>switch(config-if-vrrp-ipv6)# no priority</code>	Reverts to the default value (100 for switch with the secondary IPv6 addresses and 255 for switches with the primary IPv6 address).

Setting the Time Interval for Advertisement Packets

The valid time range for an advertisement packet on an interface using IPv4 is between 1 and 41 seconds. The default value is 1 (one) second. If the switch has the primary IP address, this time must be specified.

To set the time interval for advertisement packets for a virtual router using IPv4, follow these steps:

	Command	Purpose
Step 1	<code>switch# config t</code>	Enters configuration mode.
Step 2	<code>switch(config)# interface vsan 10</code> <code>switch(config-if)#</code>	Configures a VSAN interface (VSAN 10).
Step 3	<code>switch(config-if)# vrrp 50</code> <code>switch(config-if-vrrp)#</code>	Creates a virtual router.
Step 4	<code>switch(config-if-vrrp)# advertisement-interval 15</code>	Sets the interval time in seconds between sending advertisement frames. The range is 1 to 41.
	<code>switch(config-if-vrrp)# no advertisement-interval</code>	Reverts to the default value (1 second).

To set the time interval for advertisement packets for a virtual router using IPv6, follow these steps:

	Command	Purpose
Step 1	<code>switch# config t</code>	Enters configuration mode.
Step 2	<code>switch(config)# interface vsan 12</code> <code>switch(config-if)#</code>	Configures a VSAN interface (VSAN 12).
Step 3	<code>switch(config-if)# vrrp ipv6 200</code> <code>switch(config-if-vrrp-ipv6)#</code>	Creates a virtual router.
Step 4	<code>switch(config-if-vrrp-ipv6)# advertisement-interval 150</code>	Sets the interval time in centiseconds between sending advertisement frames. The range is 100 to 4095. The default is 100 centiseconds.
	<code>switch(config-if-vrrp-ipv6)# no advertisement-interval</code>	Reverts to the default value (100 centiseconds).

Configuring or Enabling Priority Preemption

You can enable a higher-priority backup virtual router to preempt the lower-priority master virtual router.



Note

If the virtual IP address is also the IP address for the interface, then preemption is implicitly applied.

To enable or disable preempting when using IPv4, follow these steps:

	Command	Purpose
Step 1	switch# config t	Enters configuration mode.
Step 2	switch(config)# interface vsan 10 switch(config-if)#	Configures a VSAN interface (VSAN 10).
Step 3	switch(config-if)# vrrp 250 switch(config-if-vrrp)#	Creates a virtual router.
Step 4	switch(config-if-vrrp)# preempt	Enables the higher priority backup virtual router to preempt the lower priority master virtual router. Note This preemption does not apply to the primary IP address.
	switch(config-if-vrrp)# no preempt	Disables (default) the preempt option and allows the master to keep its priority level.

To enable or disable preempting when using IPv6, follow these steps:

	Command	Purpose
Step 1	switch# config t	Enters configuration mode.
Step 2	switch(config)# interface vsan 12 switch(config-if)#	Configures a VSAN interface (VSAN 12).
Step 3	switch(config-if)# vrrp ipv6 200 switch(config-if-vrrp-ipv6)#	Creates a virtual router.
Step 4	switch(config-if-vrrp-ipv6)# preempt	Enables the higher priority backup virtual router to preempt the lower priority master virtual router. Note This preemption does not apply to the primary IP address.
	switch(config-if-vrrp-ipv6)# no preempt	Disables (default) the preempt option and allows the master to keep its priority level.

Setting Virtual Router Authentication

VRRP security provides three options, including simple text authentication, MD5 authentication, and no authentication.

- Simple text authentication uses a unique, 1 to 8 character password that is used by all switches participating in the same virtual router. This password should be different from other security passwords.
- MD5 authentication uses a unique, 16 character key that is shared by all switches participating in the same virtual router. This secret key is shared by all switches in the same virtual router.
- No authentication is the default option.

You can configure the key using the authentication option in the VRRP submode and distribute it using the configuration file. The security parameter index (SPI) settings assigned in this option should be unique for each VSAN.



Note

All VRRP configurations must be duplicated.



Note VRRP router authentication does not apply to IPv6.

To set an authentication option for a virtual router, follow these steps:

	Command	Purpose
Step 1	switch# config t	Enters configuration mode.
Step 2	switch(config)# interface vsan 1 switch(config-if)#	Configures a VSAN interface (VSAN 1).
Step 3	switch(config-if)# vrrp 250 switch(config-if-vrrp)#	Creates a virtual router.
Step 4	switch(config-if-vrrp)# authentication text password	Assigns the simple text authentication option and specifies the password for this option.
	switch(config-if-vrrp)# authentication md5 password2003 spi 0x2003	Assigns the MD5 authentication option and specifies the key and the unique SPI value for this option. The SPI and the valid range is 0x100 to 0xFFFFFFFF.
	switch(config-if-vrrp)# no authentication	Assigns the no authentication option, which is the default.

Tracking the Interface Priority

Interface state tracking changes the priority of the virtual router based on the state of another interface in the switch. When the tracked interface is down, the priority of the virtual router is restored to the interface state tracking value. When the tracked interface is up, the priority reverts to the priority value for the virtual router (see the “[Setting the Priority for the Virtual Router](#)” section on page 5-189). You can track the state of either a specified VSAN interface or the management interface (mgmt 0). The interface state tracking feature is disabled by default.



Note For interface state tracking to function, you must enable preemption on the interface. See the “[Configuring or Enabling Priority Preemption](#)” section on page 5-190.

To track the interface priority for a virtual router using IPv4, follow these steps:

	Command	Purpose
Step 1	switch# config t	Enters configuration mode.
Step 2	switch(config)# interface vsan 10 switch(config-if)#	Configures a VSAN interface (VSAN 10).
Step 3	switch(config-if)# vrrp 250 switch(config-if-vrrp)#	Creates a virtual router.
Step 4	switch(config-if-vrrp)# preempt	Enables priority preemption.
Step 5	switch(config-if-vrrp)# track interface mgmt 0 priority 2	Specifies the priority of the virtual router to be modified based on the state of the management interface.
	switch(config-if-vrrp)# no track	Disables the tracking feature.

To track the interface priority for a virtual router using IPv6, follow these steps:

	Command	Purpose
Step 1	switch# config t	Enters configuration mode.
Step 2	switch(config)# interface vsan 12 switch(config-if)#	Configures a VSAN interface (VSAN 12).
Step 3	switch(config-if)# vrrp ipv6 200 switch(config-if-vrrp-ipv6)#	Creates a virtual router.
Step 4	switch(config-if-vrrp-ipv6)# preempt	Enables priority preemption.
Step 5	switch(config-if-vrrp-ipv6)# track interface mgmt 0 priority 2	Specifies the priority of the virtual router to be modified based on the state of the management interface. Note You must enable IPv6 on the tracked interface for the priority tracking to take affect (see the “Configuring Basic Connectivity for IPv6” section on page 8-231). If IPv6 is not enabled, the interface state is treated as down by VRRP over IPv6, regardless of the actual state of the interface.
	switch(config-if-vrrp-ipv6)# no track	Disables the tracking feature.

Displaying IPv4 VRRP Information

Use the **show vrrp vr** command to display configured IPv4 VRRP information (see Examples 5-2 to 5-4).

Example 5-2 Displays IPv4 VRRP Configured Information

```
switch# show vrrp vr 7 interface vsan 2 configuration
vr id 7 configuration
admin state down
priority 100
no authentication
advertisement-Interval 1
preempt yes
tracking interface vsan1 priority 2
protocol IP
```

Example 5-3 Displays IPv4 VRRP Status Information

```
switch# show vrrp vr 7 interface vsan 2 status
vr id 7 status
MAC address 00:00:5e:00:01:07
Operational state: init
```

Example 5-4 Displays IPv4 VRRP Statistics

```
switch# show vrrp vr 7 interface vsan 2 statistics
vr id 7 statistics
Become master 0
Advertisement 0
Advertisement Interval Error 0
```

```

Authentication Failure 0
TTL Error 0
Priority 0 Received 0
Priority 0 Sent 0
Invalid Type 0
Mismatch Address List 0
Invalid Authentication Type 0
Mismatch Authentication 0
Invalid Packet Length 0

```

Displaying IPv6 VRRP Information



Note

The Cisco MDS 9250i switch, Cisco MDS 9148S switch, and the Cisco MDS 9396S switch do not support VRRP IPV6 feature.

Use the **show vrrp ipv6 vr** command to display configured IPv6 VRRP information (see [Example 5-5](#) through [Example 5-9](#)).

Example 5-5 Displays IPv6 VRRP Information

```

switch# show vrrp ipv6 vr 1
      Interface  VR IpVersion Pri   Time Pre State   VR IP addr
-----
      GigE1/5   1   IPv6     100 100cs  master 2004::1
      GigE1/6   1   IPv6     100 100cs  backup 2004::1

```

Example 5-6 Displays IPv6 VRRP Interface Configuration Information

```

switch# show vrrp ipv6 vr 1 interface gigabitethernet 1/5 configuration
IPv6 vr id 1 configuration
admin state up
priority 100
associated ip: 2004::1
advertisement-interval 100
preempt no
protocol IPv6

```

Example 5-7 Displays IPv6 VRRP Interface Status Information

```

switch# show vrrp ipv6 vr 1 interface gigabitethernet 1/5 status
IPv6 vr id 1 status
MAC address 00:00:5e:00:02:01
Operational state: master
Up time 37 min, 10 sec
Master IP address: fe80::20c:30ff:fedc:96dc

```

Example 5-8 Displays IPv6 VRRP Statistics

```

switch# show vrrp ipv6 vr 1 interface gigabitethernet 1/5 statistics
IPv6 vr id 1 statistics
Become master 1
Advertisement 0
Advertisement Interval Error 0

```

```
TTL Error 0
Priority 0 Received 0
Priority 0 Sent 0
Invalid Type 0
Mismatch Address List 0
Invalid Packet Length 0
```

Displaying VRRP Statistics

Use the **show vrrp statistics** command to display configured IPv6 VRRP information (see Example 5-9).

Example 5-9 Displays VRRP Cumulative Statistics

```
switch# show vrrp statistics
Invalid checksum 0
Invalid version 0
Invalid VR ID 0
```

Clearing VRRP Statistics

Use the **clear vrrp statistics** command to clear all the VRRP statistics for all interfaces on the switch (see Example 5-10).

Example 5-10 Clears VRRP Statistics

```
switch# clear vrrp Statistics
```

Use the **clear vrrp vr** command to clear both the IPv4 and IPv6 VRRP statistics for a specified interface (see Example 5-10).

Example 5-11 Clears VRRP Statistics on a Specified Interface

```
switch# clear vrrp vr 1 interface vsan 1
```

Use the **clear vrrp ipv4** command to clear all the statistics for the specified IPv4 virtual router (see Example 5-12).

Example 5-12 Clears VRRP IPv4 Statistics on a Specified Interface

```
switch# clear vrrp ipv4 vr 7 interface vsan 2
```

Use the **clear vrrp ipv6** command to clear all the statistics for the specified IPv6 virtual router (see Example 5-13).

Example 5-13 Clears VRRP IPv6 Statistics on a Specified Interface

```
switch# clear vrrp ipv6 vr 7 interface vsan 2
```

DNS Server Configuration

The DNS client on the switch communicates with the DNS server to perform the IP address-name server correspondence.

The DNS server may be dropped after two attempts because of one of the following reasons:

- The IP address or the switch name is wrongly configured.
- The DNS server is not reachable because external reasons (reasons beyond our control).



Note

When accessing a Telnet host, if the DNS server is not reachable (for any reason) the switch login prompt may take a longer time to appear. If so, verify that the DNS server is accurately configured and reachable.

To configure a DNS server, follow these steps:

	Command	Purpose
Step 1	switch# config t switch(config)#	Enters configuration mode.
Step 2	switch(config)# ip domain-lookup	Enables the IP Domain Naming System (DNS)-based host name-to-address translation.
	switch(config)# no ip domain-lookup	Disables (default) the IP DNS-based host name-to-address translation and reverts to the factory default.
Step 3	switch(config)# ip domain-name cisco.com	Enables the default domain name feature used to complete unqualified host names. Any IP host name that does not contain a domain name (that is, any name without a dot) will have the dot and cisco.com appended to it before being added to the host table.
	switch(config)# no ip domain-name cisco.com	Disables (default) the domain name.
Step 4	switch(config)# ip domain-list harvard.edu switch(config)# ip domain-list stanford.edu switch(config)# ip domain-list yale.edu	Defines a filter of default domain names to complete unqualified host names by using the ip domain-list global configuration command. You can define up to 10 domain names in this filter. To delete a name from a filter, use the no form of this command.
	switch(config)# no ip domain-list	Deletes the defined filter and reverts to factory default. No domains are configured by default.

Note If you have not configured a domain list, the domain name that you specified with the **ip domain-name** global configuration command is used. If you configured a domain list, the default domain name is not used. The **ip domain-list** command is similar to the **ip domain-name** command, except that with the **ip domain-list** command you can define a list of domains, each to be tried in turn.

	Command	Purpose
Step 5	switch(config)# ip name-server 15.1.0.1 2001:0db8:800:200c::417a	Specifies the first address (15.1.0.1) as the primary server and the second address (2001:0db8:800:200c::417a) as the secondary server. You can configure a maximum of six servers.
	switch(config)# no ip name-server	Deletes the configured server(s) and reverts to factory default. No server is configured by default.
Note	Alternatively, you can configure the DNS entry using the switch names (instead of IP addresses). The configured switch name automatically looks up the corresponding IP address.	

Displaying DNS Host Information

Use the **show hosts** command to display the DNS configuration (see [Example 5-14](#)).

Example 5-14 Displays Configured Host Details

```
switch# show hosts
Default domain is cisco.com
Domain list: ucsc.edu harvard.edu yale.edu stanford.edu
Name/address lookup uses domain service
Name servers are 15.1.0.1 15.2.0.0
```

Default Settings

[Table 5-1](#) lists the default settings for DNS features.

Table 5-1 Default DNS Settings

Parameters	Default
Domain lookup	Disabled
Domain name	Disabled
Domains	None
Domain server	None
Maximum domain servers	6

[Table 5-2](#) lists the default settings for VRRP features.

Table 5-2 Default VRRP Settings

Parameters	Default
Virtual router state	Disabled
Maximum groups per VSAN	255
Maximum groups per Gigabit Ethernet port	7
Priority preemption	Disabled

Table 5-2 **Default VRRP Settings (continued)**

Parameters	Default
Virtual router priority	100 for switch with secondary IP addresses 255 for switches with the primary IP address
Priority interface state tracking	Disabled
Advertisement interval	1 second for IPv4 100 centiseconds for IPv6