



## CHAPTER 7

# Configuring Trunking

---

This chapter describes the trunking feature provided in Cisco MDS 9000 switches. It includes the following sections:

- [About Trunking, page 7-1](#)
- [Trunking Guidelines and Restrictions, page 7-3](#)
- [Configuring Trunk Mode and VSAN List, page 7-7](#)
- [Default Settings, page 7-11](#)

## About Trunking

Trunking, also known as VSAN trunking, is a feature specific to switches in the Cisco MDS 9000 Family. Trunking enables interconnect ports to transmit and receive frames in more than one VSAN, over the same physical link. Trunking is supported on E ports and F ports (See [Figure 7-1](#) and [Figure 7-2](#)).

This section includes the following topics:

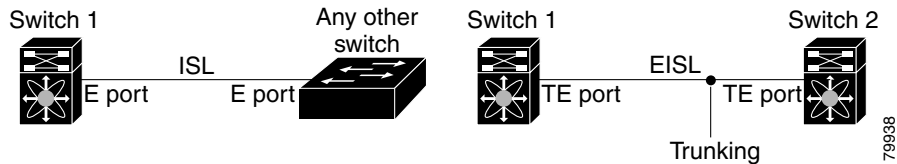
- [Trunking E Ports, page 7-2](#)
- [Trunking F Ports, page 7-2](#)
- [Key Concepts, page 7-3](#)
- [Trunking Misconfiguration Examples, page 7-4](#)
- [Upgrade and Downgrade Restrictions, page 7-5](#)
- [Difference Between TE Ports and TF-TNP Ports, page 7-5](#)

*Send documentation comments to [fm-docfeedback@cisco.com](mailto:fm-docfeedback@cisco.com)*

## Trunking E Ports

Trunking the E ports enables interconnect ports to transmit and receive frames in more than one VSAN, over the same physical link, using enhanced ISL (EISL) frame format.

**Figure 7-1** Trunking E Ports



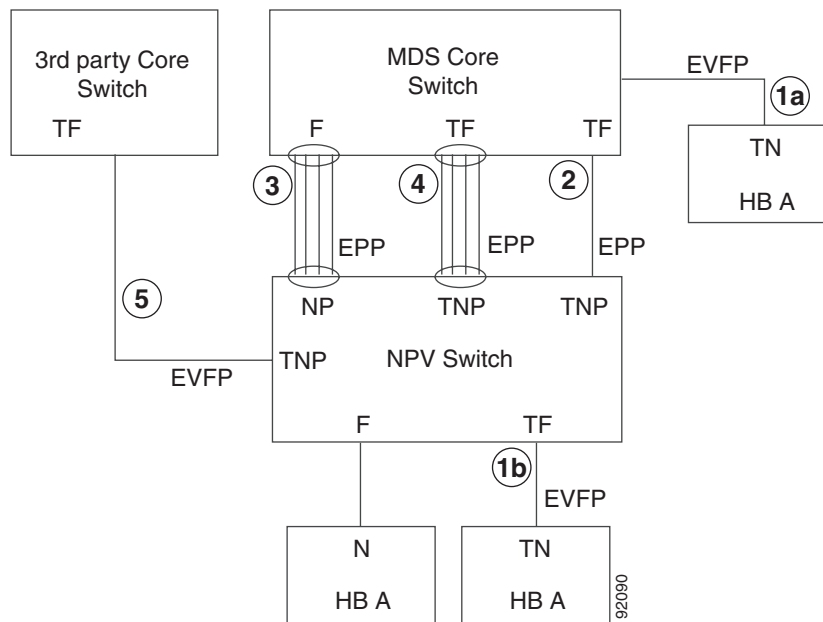
### Note

Trunking is not supported by internal ports on both the Cisco Fabric Switch for HP c-Class BladeSystem and the Cisco Fabric Switch for IBM BladeCenter.

## Trunking F Ports

Trunking F ports allows interconnected ports to transmit and receive tagged frames in more than one VSAN, over the same physical link. [Figure 7-2](#) represents the possible trunking scenarios in a SAN with MDS core switches, NPV switches, third-party core switches, and HBAs.

**Figure 7-2** Trunking F Ports



***Send documentation comments to [fm-docfeedback@cisco.com](mailto:fm-docfeedback@cisco.com)***

Link Number	Link Description
1a and 1b	F port trunk with N port. <sup>1</sup>
2	F port trunk with NP port.
3	F PortChannel with NP port.
4	Trunked F PortChannel with NP port.
5	Trunking NP port with third-party core switch F port. <sup>1</sup>

1. These features are not supported currently.

## Key Concepts

The trunking feature includes the following key concepts:

- TE port—If trunk mode is enabled in an E port and that port becomes operational as a trunking E port, it is referred to as a TE port.
- TF port—If trunk mode is enabled in an F port (see the link 2 in [Figure 7-2](#)) and that port becomes operational as a trunking F port, it is referred to as a TF port.
- TN port—If trunk mode is enabled (not currently supported) in an N port (see the link 1b in [Figure 7-2](#)) and that port becomes operational as a trunking N port, it is referred to as a TN port.
- TNP port—If trunk mode is enabled in an NP port (see the link 2 in [Figure 7-2](#)) and that port becomes operational as a trunking NP port, it is referred to as a TNP port.
- TF PortChannel—If trunk mode is enabled in an F PortChannel (see the link 4 in [Figure 7-2](#)) and that PortChannel becomes operational as a trunking F PortChannel, it is referred to as TF PortChannel. Cisco Port Trunking Protocol (PTP) is used to carry tagged frames.
- TF-TN port link—A single link can be established to connect an F port to an HBA to carry tagged frames (see the link 1a and 1b in [Figure 7-2](#)) using Exchange Virtual Fabrics Protocol (EVFP). A server can reach multiple VSANs through a TF port without inter-VSAN routing (IVR).
- TF-TNP port link—A single link can be established to connect an TF port to an TNP port using the PTP protocol to carry tagged frames (see the link 2 in [Figure 7-2](#)). PTP is used because PTP also supports trunking PortChannels.



**Note** The TF-TNP port link between a third-party NPV core and a Cisco NPV switch is established using the EVFP protocol.

- A Fibre Channel VSAN is called Virtual Fabric and uses a VF\_ID in place of the VSAN ID. By default, the VF\_ID is 1 for all ports. When an N port supports trunking, a PWWN is defined for each VSAN and called as logical PWWN. In the case of MDS core switches, the PWWNs for which the N port requests additional FC\_IDs are called virtual PWWNs.

## Trunking Guidelines and Restrictions

The trunking feature includes the following guidelines and restrictions:

- F ports support trunking in Fx mode.

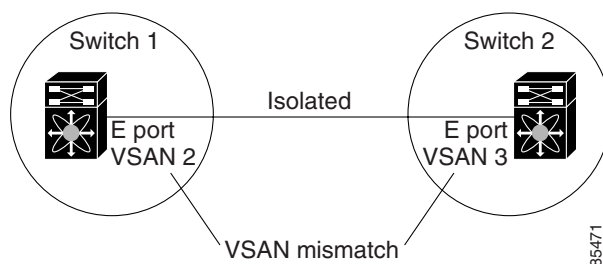
***Send documentation comments to [fm-docfeedback@cisco.com](mailto:fm-docfeedback@cisco.com)***

- The trunk-allowed VSANs configured for TE, TF, and TNP links are used by the trunking protocol to determine the allowed active VSANs in which frames can be received or transmitted.
- If a trunking enabled E port is connected to a third-party switch, the trunking protocol ensures seamless operation as an E port.
- Trunking F ports and trunking F PortChannels are not supported on the following hardware:
  - 91x4 switches, if NPIV is enabled and used as the NPIV core switch.
  - Generation 1 2-Gbps Fibre Channel switching modules.
- On core switches, the FC-SP authentication will be supported only for the physical FLOGI from the physical PWWN.
- No FC-SP authentication is supported by the NPV switch on the server F ports.
- MDS does not enforce the uniqueness of logical PWWNs across VSANs.
- DPVM is not supported on trunked F port logins.
- The DPVM feature is limited to the control of the port VSAN, since the EVFP protocol does not allow changing the VSAN on which a logical PWWN has done FLOGI.
- The port security configuration will be applied to both the first physical FLOGI and the per VSAN FLOGIs.
- Trunking is not supported on F ports that have FlexAttach enabled.
- On MDS 91x4 core switches, hard zoning can be done only on F ports that are doing either NPIV or trunking. However, in NPV mode, this restriction does not apply since zoning is enforced on the core F port.

## Trunking Misconfiguration Examples

If you do not configure the VSANs correctly, issues with the connection may occur. For example, if you merge the traffic in two VSANs, both VSANs will be mismatched. The trunking protocol validates the VSAN interfaces at both ends of a link to avoid merging VSANs (see [Figure 7-3](#)).

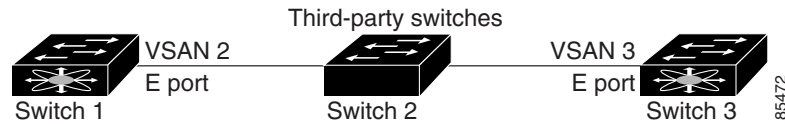
**Figure 7-3 VSAN Mismatch**



The trunking protocol detects potential VSAN merging and isolates the ports involved (see [Figure 7-3](#)). The trunking protocol cannot detect merging of VSANs when a third-party switch is placed in between two Cisco MDS 9000 Family switches (see [Figure 7-4](#)).

**Send documentation comments to [fm-docfeedback@cisco.com](mailto:fm-docfeedback@cisco.com)**

**Figure 7-4 Third-Party Switch VSAN Mismatch**



VSAN 2 and VSAN 3 are effectively merged with overlapping entries in the name server and the zone applications. The Cisco MDS 9000 Fabric Manager helps detect such topologies.

## Upgrade and Downgrade Restrictions

The trunking and channeling feature includes the following upgrade and downgrade restrictions:

- When F port trunking or channeling is configured on a link, the switch cannot be downgraded to Cisco MDS SAN-OS Release 3.x and NX-OS Release 4.1(1b), or earlier.
- If you are upgrading from a SAN-OS Release 3.x to NX-OS Release 5.0(1), and you have not created VSAN 4079, the NX-OS software will automatically create VSAN 4079 and reserve it for EVFP use.

If you have created VSAN 4079, the upgrade to NX-OS Release 5.0(1) will have no affect on VSAN 4079.

If you downgrade after NX-OS Release 5.0(1) creates VSAN 4079 and reserves it for EVFP use, the VSAN will no longer be reserved.

## Difference Between TE Ports and TF-TNP Ports

In case of TE ports, the VSAN will in be initializing state when VSAN is coming up on that interface and when peers are in negotiating phase. Once the handshake is done, VSAN will be moved to up state in the successful case, and isolated state in the case of failure. Device Manager will show the port status as amber during initializing state and it will be green once VSANs are up.

In case of TF ports, after the handshake, one of the allowed VSAN will be moved to up state. And all other VSAN will be in initializing state even though the handshake with the peer is completed and successful. Each VSAN will be moved from initializing state to up state when a server or target logs in through the trunked F or NP ports in the corresponding VSAN.



### Note

In case of TF or TNP ports, the Device Manager will show the port status as amber even after port is up and there is no failure. It will be changed to green once all the VSAN has successful logins.

[Send documentation comments to fm-docfeedback@cisco.com](mailto:fm-docfeedback@cisco.com)

## Enabling the Trunking Protocols

This section explains how to enable or disable the required trunking and channeling protocols represented in [Figure 7-2](#) and includes the following topics:

- [About Trunking Protocols, page 7-6](#)
- [Enabling the F Port Trunking and Channeling Protocol, page 7-7](#)

### About Trunking Protocols

The trunking protocol is important for trunking operations on the ports. The protocols enable the following activities:

- Dynamic negotiation of operational trunk mode.
- Selection of a common set of trunk-allowed VSANs.
- Detection of a VSAN mismatch across an ISL.

[Table 7-1](#) specifies the protocols used for trunking and channeling.

**Table 7-1** Supported Trunking Protocols

Trunk Link	Default
TE-TE port link	Cisco EPP (PTP)
TF-TN port link <sup>1</sup>	FC-LS Rev 1.62 EVFP
TF-TNP port link	Cisco EPP (PTP)
E or F PortChannel	Cisco EPP (PCP)
TF Port Channel	Cisco EPP (PTP and PCP)
Third-party TF-TNP port link <sup>1</sup>	FC-LS Rev 1.62 EVFP

1. These features are not currently supported.

By default, the trunking protocol is enabled on E ports and disabled on F ports. If the trunking protocol is disabled on a switch, no port on that switch can apply new trunk configurations. Existing trunk configurations are not affected. The TE port continues to function in trunk mode, but only supports traffic in VSANs that it negotiated with previously (when the trunking protocol was enabled). Also, other switches that are directly connected to this switch are similarly affected on the connected interfaces. In some cases, you may need to merge traffic from different port VSANs across a non-trunking ISL. If so, disable the trunking protocol.



#### Note

We recommend that both ends of a trunking link belong to the same port VSAN. On certain switches or fabric switches where the port VSANs are different, one end returns an error and the other end is not connected.



#### Tip

To avoid inconsistent configurations, shut all ports before enabling or disabling the trunking protocols.

[Send documentation comments to fm-docfeedback@cisco.com](mailto:fm-docfeedback@cisco.com)

## Enabling the F Port Trunking and Channeling Protocol



### Note

The trunking protocols must be enabled to support trunking, and NPIV must be enabled on the core switch to activate a TF-TNP link. To enable NPIV, use the **feature npiv** command.

To enable or disable the F port trunking and channeling protocols using the Fabric Manager, follow these steps:

- Step 1** From the Physical Interfaces panel, expand **Switches** and then select **F\_Port\_Channel/Trunk**. You see the list of switches in the Fabric with F port trunking and channeling enabled.
- Step 2** From the Status column, select **enable** or **disable**.

## Configuring Trunk Mode and VSAN List

This section includes the following topics:

- [About Trunk Modes, page 7-7](#)
- [Configuring Trunk Mode, page 7-8](#)
- [About Trunk-Allowed VSAN Lists and VF\\_IDs, page 7-9](#)
- [Configuring an Allowed-Active List of VSANs, page 7-11](#)

## About Trunk Modes

By default, trunk mode is enabled on all Fibre Channel interfaces (Mode: E, F, FL, Fx, ST, and SD) on non-NPV switches. On NPV switches, by default, trunk mode is disabled. You can configure trunk mode as on (enabled), off (disabled), or auto (automatic). The trunk mode configuration at the two ends of an ISL, between two switches, determine the trunking state of the link and the port modes at both ends (see [Table 7-2](#)).

**Table 7-2** Trunk Mode Status Between Switches

Your Trunk Mode Configuration			Resulting State and Port Mode	
Port Type	Switch 1	Switch 2	Trunking State	Port Mode
E ports	On	Auto or on	Trunking (EISL)	TE port
	Off	Auto, on, or off	No trunking (ISL)	E port
	Auto	Auto	No trunking (ISL)	E port
Port Type	Core Switch	NPV Switch	Trunking State	Link Mode
F and NP ports	On	Auto or on	Trunking	TF-TNP link
	Auto	On	Trunking	TF-TNP link
	Off	Auto, on, or off	No trunking	F-NP link

*Send documentation comments to [fm-docfeedback@cisco.com](mailto:fm-docfeedback@cisco.com)*

**Tip**

The preferred configuration on the Cisco MDS 9000 Family switches is one side of the trunk set to auto and the other side set to on.

**Note**

When connected to a third-party switch, the trunk mode configuration on E ports has no effect. The ISL is always in a trunking disabled state. In the case of F ports, if the third-party core switch ACC's physical FLOGI with the EVFP bit is configured, then EVFP protocol enables trunking on the link.

## Configuring Trunk Mode

To configure trunk mode using Fabric Manager, follow these steps:

- Step 1** Expand **Interfaces** and then select **FC Physical**. You see the interface configuration in the Information pane.
- Step 2** Click the **Trunk Config** tab to modify the trunking mode for the selected interface. You see the information shown in [Figure 7-5](#).

**Figure 7-5** Trunking Configuration

Switch	Interface	Admin	Oper	Allowed VSANs	Up VSANs
sw172-22-46-225	fc1/1	trunk	nonTrunk	1-4093	none
sw172-22-46-222	fc1/1	trunk	trunk	1-4093	1,4001-4003
sw172-22-46-233	fc1/1	trunk	trunk	1-4093	1,73,4001-4003
sw172-22-46-233	fc1/1	trunk	trunk	1-4093	1,4001-4003
sw172-22-46-221	fc2/1	trunk	nonTrunk	1-4093	none
sw172-22-46-225	fc1/2	trunk	nonTrunk	1-4093	none
sw172-22-46-222	fc1/2	trunk	nonTrunk	1-4093	none
sw172-22-46-233	fc1/2	trunk	nonTrunk	1-4093	none
sw172-22-46-223	fc1/2	trunk	nonTrunk	1-4093	none
sw172-22-46-220	fc1/1	trunk	trunk	1-4093	1,4001-4003
sw172-22-46-221	fc2/2	trunk	nonTrunk	1-4093	none
sw172-22-46-225	fc1/3	trunk	nonTrunk	1-4093	none
sw172-22-46-222	fc1/3	trunk	nonTrunk	1-4093	none
sw172-22-46-233	fc1/3	trunk	nonTrunk	1-4093	none
sw172-22-46-223	fc1/3	nonTrunk	nonTrunk	1-4093	none

- Step 3** Make changes to the Admin and Allowed VSANs values.
- Step 4** Click the **Trunk Failures** tab to check if a link did not come up. You see the reason listed in the FailureCause column (see [Figure 7-6](#)).

**Figure 7-6** Trunk Failures Tab

Switch	Interface, VSAN Id	FailureCause
sw172-22-46-174	fc3/2, 4001	vsanMismatchIsolation
sw172-22-46-220	fc3/2, 4001	portBindFailure



***Send documentation comments to [fm-docfeedback@cisco.com](mailto:fm-docfeedback@cisco.com)***

**Step 5** Click the **Apply Changes** icon.

## About Trunk-Allowed VSAN Lists and VF\_IDs

Each Fibre Channel interface has an associated trunk-allowed VSAN list. In TE-port mode, frames are transmitted and received in one or more VSANs specified in this list. By default, the VSAN range (1 through 4093) is included in the trunk-allowed list.

The common set of VSANs that are configured and active in the switch are included in the trunk-allowed VSAN list for an interface, and they are called *allowed-active* VSANs. The trunking protocol uses the list of allowed-active VSANs at the two ends of an ISL to determine the list of operational VSANs in which traffic is allowed.

Switch 1 (see [Figure 7-7](#)) has VSANs 1 through 5, switch 2 has VSANs 1 through 3, and switch 3 has VSANs 1, 2, 4, and 5 with a default configuration of trunk-allowed VSANs. All VSANs configured in all three switches are allowed-active. However, only the common set of allowed-active VSANs at the ends of the ISL become operational (see [Figure 7-7](#)).

For all F, N, and NP ports, the default VF\_ID is 1 when there is no VF\_ID configured. The trunk-allowed VF\_ID list on a port is same as the list of trunk-allowed VSANs. VF\_ID 4094 is called the control VF\_ID and it is used to define the list of trunk-allowed VF-IDs when trunking is enabled on the link.

If F port trunking and channeling is enabled, or if **switchport trunk mode on** is configured in NPV mode for any interface, or if NP PortChannel is configured, the VSAN and VF-ID ranges available for the configuration are as described in [Table 7-3](#).

**Table 7-3 VSAN and VF-ID Reservations**

VSAN or VF-ID	Description
000h	Cannot be used as virtual fabric identifier.
001h(1) to EFFh(3839)	This VSAN range is available for user configuration.
F00h(3840) to FEEh(4078)	Reserved VSANs and they are not available for user configuration.
FEFh(4079)	EVFP isolated VSAN.
FF0h(4080) to FFEh(4094)	Used for vendor-specific VSANs.
FFFh	Cannot be used as virtual fabric identifier.

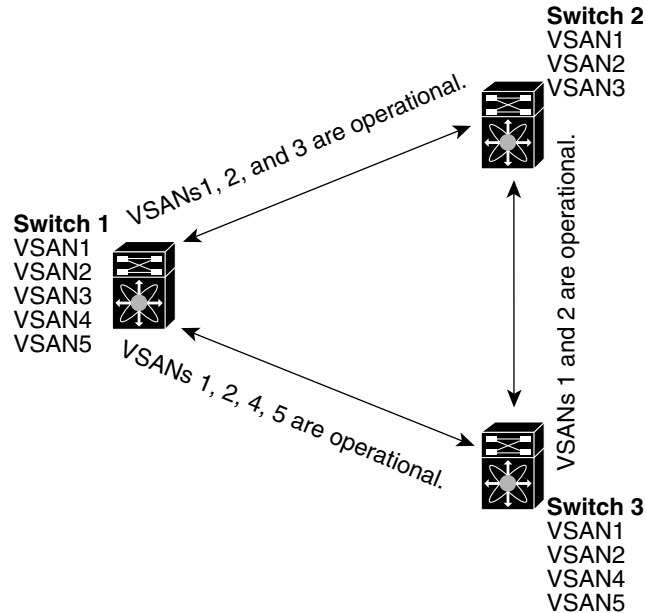


**Note**

If the VF\_ID of the F port and the N port do not match, then no tagged frames can be exchanged.

***Send documentation comments to [fm-docfeedback@cisco.com](mailto:fm-docfeedback@cisco.com)***

**Figure 7-7** Default Allowed-Active VSAN Configuration



You can configure a select set of VSANs (from the allowed-active list) to control access to the VSANs specified in a trunking ISL.

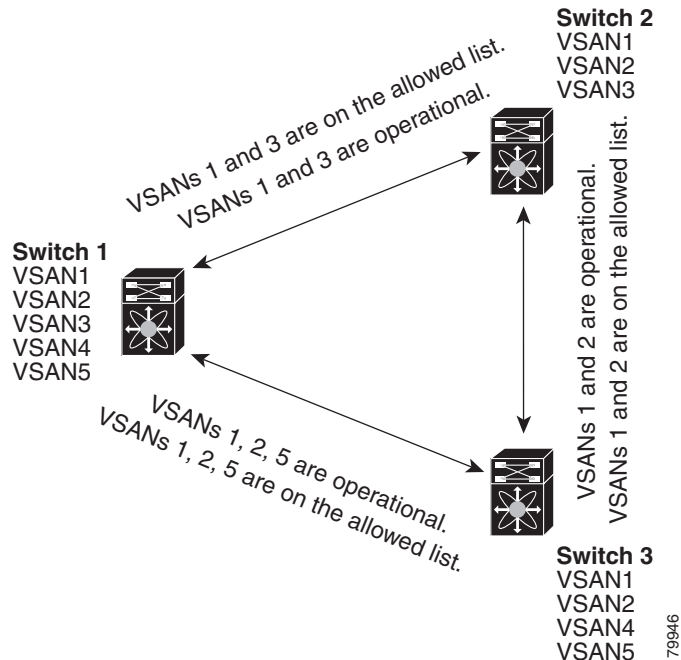
Using [Figure 7-7](#) as an example, you can configure the list of allowed VSANs on a per-interface basis (see [Figure 7-8](#)). For example, if VSANs 2 and 4 are removed from the allowed VSAN list of ISLs connecting to switch 1, the operational allowed list of VSANs for each ISL would be as follows:

- The ISL between switch 1 and switch 2 includes VSAN 1 and VSAN 3.
- The ISL between switch 2 and switch 3 includes VSAN 1 and VSAN 2.
- The ISL between switch 3 and switch 1 includes VSAN 1, 2, and 5.

Consequently, VSAN 2 can only be routed from switch 1 through switch 3 to switch 2.

[Send documentation comments to fm-docfeedback@cisco.com](mailto:fm-docfeedback@cisco.com)

**Figure 7-8** Operational and Allowed VSAN Configuration



## Configuring an Allowed-Active List of VSANs

To configure an allowed-active list of VSANs for an interface using Fabric Manager, follow these steps:

- 
- Step 1** Expand **Interfaces** and then select **FC Physical**.  
You see the interface configuration in the Information pane.
- Step 2** Click the **Trunk Config** tab.  
You see the current trunk configuration.
- Step 3** Set Allowed VSANs to the list of allowed VSANs for each interface that you want to configure.
- Step 4** Click **Apply Changes** to save these changes or click **Undo Changes** to discard any unsaved changes.
- 

## Default Settings

Table 7-4 lists the default settings for trunking parameters.

**Table 7-4** Default Trunk Configuration Parameters

Parameters	Default
Switch port trunk mode	ON on non-NPV and MDS core switches. OFF on NPV switches.
Allowed VSAN list	1 to 4093 user-defined VSAN IDs.

***Send documentation comments to [fm-docfeedback@cisco.com](mailto:fm-docfeedback@cisco.com)***

**Table 7-4**      **Default Trunk Configuration Parameters (continued)**

<b>Parameters</b>	<b>Default</b>
Allowed VF-ID list	1 to 4093 user-defined VF-IDs.
Trunking protocol on E ports	Enabled.
Trunking protocol on F ports	Disabled.