



CHAPTER 1

Overview

This chapter describes the Cisco Video Surveillance 7030 IP Camera, and includes the following topics:

- [Introduction, page 1-1](#)
- [Package Contents, page 1-2](#)
- [IP Camera Physical Details, page 1-3](#)

Introduction

The Cisco Video Surveillance 7030 IP camera is an outdoor, high definition, professional fixed dome IP camera with industry-leading image quality and processing power. The 5 megapixel (MP) IP camera offers 1080p full HD resolution (up to 2560 x 1920) with superb image quality up to 30 frames per second (FPS) while optimizing network usage with either H.264 or MJPEG compression. It can capture a much more comprehensive area than a standard VGA model, significantly reducing the number of units required. It is especially suitable for monitoring wide open outdoor areas such as building entrances, airports, or applications requiring accurate identification.

For installers, properly adjusting the focus of an HD IP camera can be difficult due to the image detail. To make installation and adjustment easier, the 7030 IP camera incorporates built-in stepping motors that the installer can use to remotely control the focal length and precisely adjust the camera focus, offering hassle-free installation and maintenance.

For complete installation and tampering prevention, the 7030 IP camera also fits different conduits and corrugated tubes sizes for cable installation. Its IP66-rated housing is designed to help the camera body withstand rain and dust and ensures operation under a multitude of harsh weather conditions. The wide temperature range further enhances the 7030 IP camera performance and reliability in extremely cold and warm weather. Additionally, the metal vandal-proof housing effectively provides robust protection from vandalism.

With other advanced features such 802.3af compliant PoE, micro SD/SDHC card for local storage, integrated IR illuminator for enhanced visibility in night mode, and e-PTZ functionality, the 7030 IP camera provides the most robust solution suitable for any demanding outdoor environment.

Package Contents

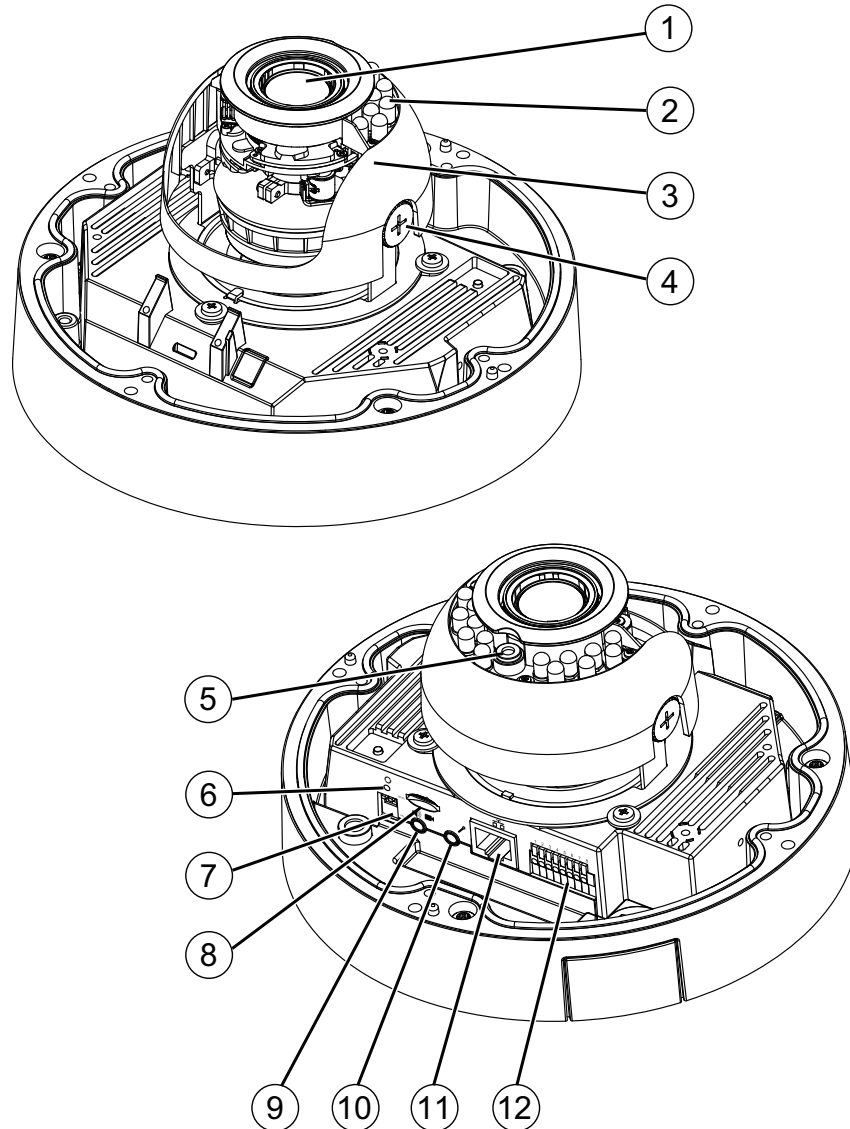
The Cisco Video Surveillance IP Camera package includes the following items:

- Cisco Video Surveillance 7030 IP Camera (1)
- Installation template and alignment sticker (1)
- Mounting plate (1)
- Black cover (1)
- Bushing (1)
- Waterproof connector (1)
- L type hex key (allen wrench) (1)
- Screws (t4x32) (4)
- Wall anchors (4)
- Hex nut (1)
- Double sided tape (1)
- Silica gel (1)
- Extra set of labels (3)
- Cisco documentation pointer card (1)
- Cisco RoHS document (1)

IP Camera Physical Details

Figure 1-1 and the table that follows describe the physical features of the 7030 IP camera.

Figure 1-1 IP Camera Physical Features



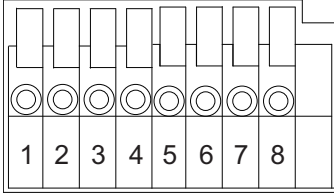
1	Varifocal lens	IP camera lens that changes focus as the focal length changes.
2	IR LEDs	Infrared illuminator LEDs that enhance the video image (effective up to 60 ft. [20 m]) when the IP camera is running in night mode.
3	Black cover	A dark cover with a cutout for the camera lens that makes it difficult to see where the IP camera is pointed. Note You must temporarily remove the black cover when adjusting the camera field of view.

4	Tilt adjustment screw	Used when tilting the camera to set the field of view.
5	Light sensor	Senses the level of ambient light to determine when to switch day/night mode.
6	Recessed reset button	Recessed button that reboots the IP camera or resets it to a default state. You can use a pin or paper clip to depress it. It can be used any time that the IP camera is on and can have various effects, as described in the “Resetting the IP Camera” section on page 2-11.
7	External microphone and video output switches	<p>External microphone</p> <ul style="list-style-type: none"> Off (up)—disables an external microphone connected to the IP camera. On (down)—enables an external microphone connected to the IP camera. <p>Note There is no internal microphone. You must connect an external microphone if you require audio inputs.</p> <p>Video output</p> <ul style="list-style-type: none"> NTSC 60Hz (up)—switches camera operation to the National Television System Committee (NTSC) standard. PAL 50Hz (down)—switches camera operation to the Phase Alternating Line (PAL) standard.
8	Micro SD/SDHC card slot	Support for the SD/SDHC card slot will be available in future releases.
9	Audio/Video out (green)	Allows the connection of an optional Y cable or mini cable with BNC connector. You can connect a video monitor to the mini cable with BNC connector. Both cables are included in the optional audio/video cables accessory kit can be purchased from Cisco (Cisco part number CIVS-AVCABLE). Note Support for audio will be in future releases.
10	Microphone In (pink)	Connection for an external microphone.
11	Ethernet 10/100 RJ45 socket	Accepts a standard LAN cable to connect the IP camera to a 10/100BaseT router or switch.
12	GPIO Block	General purpose input/output (GPIO) terminal block that is used to connect external input and output devices. For more information, see Figure 1-2 .

General Purpose I/O Terminal Block

Figure 1-2 shows the GPIO terminal block pin locations and descriptions.

Figure 1-2 GPIO Terminal Block Pin Locations and Descriptions



Pin	Description
1	24 VAC
2	24 VAC
3	DI-
4	DI3+
5	DI2+
6	DI1+
7	DO-
8	DO+

**Note**

The maximum output load from pins 7 and 8 is 50mA.

