



Overview

- [Overview, on page 1](#)

Overview

The architecture proposed and described in this document is for demonstration. The local network engineer should be consulted before applying the parameters used in this document. IP addresses, port numbers and VLAN IDs used should be verified beforehand as wrong configurations could stop normal exchanges and stop the process.

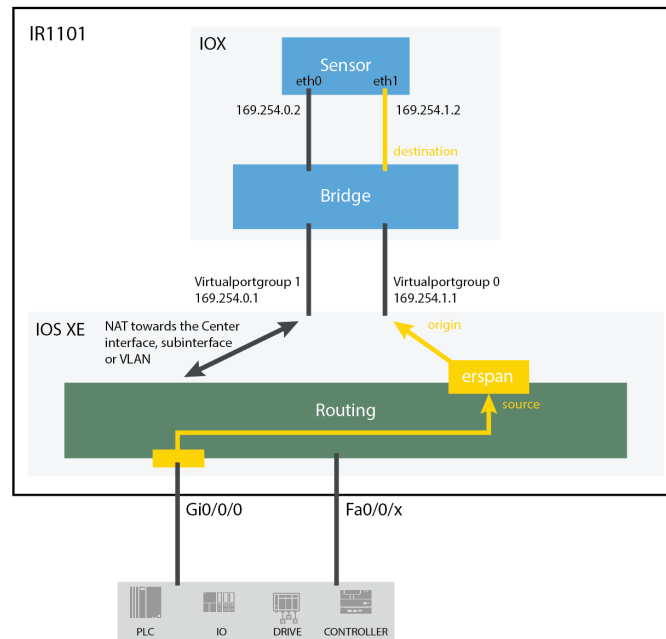
The schema below explains the architecture virtually deployed in the router to embed the sensor application. VLAN and physical ports configuration will allow OT traffic to be copied and communication with the Cisco Cyber Vision Center to be established.

The communication between the Cisco Cyber Vision Center and the sensor is represented in black on the schema. Mirrored OT traffic is represented in yellow.

Any port of the router can be used for the communication with the Center.

Only the routed traffic to the port gi0/0/0 can be spanned to the sensor.

Figure 1: Cisco IR1101 Integrated Services Router Rugged:



The sensor can be installed on the Cisco IR1101 with different disk configurations: on a SSD, or on the flash if there is no SSD.

SD card is not supported and will be ignored.

In case the sensor management extension is used and if a SSD is detected, Cisco Cyber Vision will be automatically deployed on it. If there is none, the application will be installed on the flash memory.

For other deployment modes (IOx Local Manager or CLI), the procedures describe how the installation is done for both cases.