



## MPLS Label Switching Router MIB

---

The MPLS Label Switching Router MIB (MPLS-LSR-MIB) allows you to use the Simple Network Management Protocol (SNMP) to remotely monitor a label switch router (LSR) that is using the Multiprotocol Label Switching (MPLS) technology.

Scalability enhancements provided in the Cisco IOS 12.0(28)S release reduce the size of any MIB walk and improve the usability of the MPLS-LSR-MIB.



### Note

---

In Cisco IOS Release 12.2(33)SRB and Cisco IOS Release 12.2(33)SB, this MIB has been deprecated and replaced by MPLS-LSR-STD-MIB (RFC 3813). In those two releases and in later images, the entire MIB can be referenced by the name `mplsLsrMIB` for purposes of the SNMP server excluded/included command. If other MIB object names need to be referenced on the router, they must be referenced by `MPLS-LSR-MIB::<table_entry_name>`.

---

- [Finding Feature Information, page 1](#)
- [Information About MPLS Label Switching Router MIB, page 2](#)
- [How to Configure the MPLS LSR MIB, page 14](#)
- [Configuration Examples for the MPLS LSR MIB, page 16](#)
- [Additional References, page 17](#)
- [Feature Information for MPLS Label Switching Router MIB, page 18](#)
- [Glossary, page 20](#)

## Finding Feature Information

Your software release may not support all the features documented in this module. For the latest caveats and feature information, see [Bug Search Tool](#) and the release notes for your platform and software release. To find information about the features documented in this module, and to see a list of the releases in which each feature is supported, see the feature information table at the end of this module.

Use Cisco Feature Navigator to find information about platform support and Cisco software image support. To access Cisco Feature Navigator, go to [www.cisco.com/go/cfn](http://www.cisco.com/go/cfn). An account on Cisco.com is not required.

## Information About MPLS Label Switching Router MIB

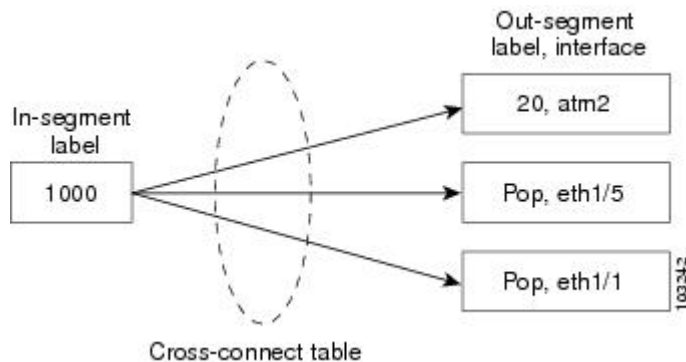
The MPLS-LSR-MIB contains managed objects that support the retrieval of label switching information from a router. The MIB is based on Revision 05 of the IETF MPLS-LSR-MIB. The MPLS-LSR-MIB mirrors a portion of the Cisco MPLS subsystem; specifically, it mirrors the Label Forwarding Information Base (LFIB). This implementation enables a network administrator to get information on the status, character, and performance of the following:

- MPLS-capable interfaces on the LSR
- Incoming MPLS segments (labels) at an LSR and their associated parameters
- Outgoing segments (labels) at an LSR and their associated parameters

In addition, the network administrator can retrieve the status of cross-connect table entries that associate MPLS segments with each other.

The figure below shows the association of the cross-connect table with incoming and outgoing segments (labels).

**Figure 1: Label Forwarding with the Cross-Connect Table**



### Note

The out-segment table does not display “no label” entries. Labels that are displayed as “POP” are the special MPLS label 3.

The notation used in the MPLS-LSR-MIB follows the conventions defined in Abstract Syntax Notation One (ASN.1). ASN.1 defines an Open System Interconnection (OSI) language used to describe data types apart from particular computer structures and presentation techniques. Each object in the MIB incorporates a DESCRIPTION field that includes an explanation of the object’s meaning and usage, which, together with the other characteristics of the object (SYNTAX, MAX-ACCESS, and INDEX) provides sufficient information for management application development, as well as for documentation and testing.

The MPLS-LSR-MIB represents an ASN.1 notation reflecting an idealized MPLS LSR.

A network administrator can access the entries (objects) in the MPLS-LSR-MIB by means of any SNMP-based network management system (NMS). The network administrator can retrieve information in the MPLS-LSR-MIB using standard SNMP **get** and **getnext** operations.

Typically, SNMP runs as a low-priority process. The response time for the MPLS-LSR-MIB is expected to be similar to that for other MIBs. The size and structure of the MIB and other MIBs in the system influence response time when you retrieve information from the management database. Traffic through the LSR also affects SNMP performance. The busier the switch is with forwarding activities, the greater the possibility of lower SNMP performance.

## MPLS-LSR-MIB Elements

The top-level components of the MPLS-LSR-MIB consist of

- Tables and scalars (mplsLsrObjects)
- Traps (mplsLsrNotifications and mplsLsrNotifyPrefix)
- Conformance (mplsLsrConformance)

This Cisco implementation does not support the notifications defined in the MIB, nor does it support the labelStackTable or the trafficParamTable.

## MPLS-LSR-MIB Tables

The Cisco implementation of the MPLS-LSR-MIB supports four main tables:

- Interface configuration
- In-segment
- Out-segment
- Cross-connect

The MIB contains three supplementary tables to supply performance information. This implementation does not support the label stack and traffic parameter tables.

The following sections list the MPLS-LSR-MIB tables (main and supplementary), their functions, table objects that are supported, and table objects that are *not* supported.

### **MPLS interface configuration table (mplsInterfaceConfTable)**

Provides information for each MPLS-capable interface on an LSR.

Supports:

- A unique interface index or zero
- Minimum and maximum values for an MPLS label received on the interface
- Minimum and maximum values for an MPLS label sent from the interface
- A value for an MPLS label sent from the interface
- Per platform (0) or per interface (1) setting
- The storage type

Does not support:

- The total usable bandwidth on the interface
- The difference between the total usable bandwidth and the bandwidth in use

### **MPLS interface performance table (mplsInterfacePerfTable)**

Augments the MPLS interface configuration table.

Supports:

- The number of labels in the incoming direction in use
- The number of top-most labels in outgoing label stacks in use

Does not support:

- The number of top-most labels in outgoing label stacks in use
- The number of labeled packets discarded because no cross-connect entries exist
- The number of outgoing MPLS packets requiring fragmentation for transmission

### **MPLS in-segment table (mplsInSegmentTable)**

Contains a description of incoming segments (labels) at an LSR and their associated parameters.

Administrative and operational status objects for this table control packet transmission. If administrative and operational status objects are down, the LSR does not forward packets. If these status objects are up, the LSR forwards packets.

Supports:

- A unique index identifier
- The incoming label
- The number of labels to pop from the incoming segment
- An address family number from the Internet Assigned Number Authority (IANA)
- A segment cross-connect entry association
- The segment owner
- The storage type
- The administrative status
- The operational status




---

#### **Note**

The administrative status and operational status are always up for inSegments in the Cisco implementation. Otherwise, these entries do not appear in the table.

---

Does not support:

- A pointer to a traffic parameter table entry (set to the default 0.0)

**MPLS in-segment performance table (mplsInSegmentPerfTable)**

Augments the MPLS in-segment table, providing performance information and counters for incoming segments on an LSR.

Supports:

- The number of 32-bit octets received
- The number of 64-bit octets received
- The time of the last system failure that corresponded to one or more incoming segment discontinuities

**Note**

---

The lastFailure parameter is set to zero because it has no meaning in the Cisco implementation.

---

Does not support:

- The total number of packets received
- The number of packets with errors
- The number of labeled packets discarded with no errors

**MPLS out-segment table (mplsOutSegmentTable)**

Contains a description of outgoing segments from an LSR and their associated parameters.

Administrative and operational status objects for this table control packet transmission. If administrative and operational status objects are down, the LSR does not forward packets. If these values are up, the LSR forwards packets.

Supports:

- A unique index identifier
- An interface index of the outgoing interface
- An indication of whether or not a top label is pushed onto the outgoing packet's label stack
- The label to push onto the outgoing packet's label stack (if the previous value is true)
- The next hop address type
- The IPv4 address of the next hop
- The segment cross-connect entry association
- The segment owner
- The storage type
- The administrative status
- The operational status

**Note**

The administrative and operational status entries are always up in the Cisco implementation. Otherwise, the administrative and operational status entries do not appear in the table.

Does not support:

- An IPv6 address of the next hop
- A pointer to a traffic parameter table entry (set to the default 0.0)

**MPLS out-segment performance table (mplsOutSegmentPerfTable)**

Augments the MPLS out-segment table, providing performance information and counters for outgoing segments on an LSR.

Supports:

- The number of 32-bit octets sent
- The number of 64-bit octets sent
- The time of the last system failure that corresponded to one or more outgoing segment discontinuities

Does not support:

- The number of packets sent
- The number of packets that could not be sent because of errors
- The number of packets discarded with no errors

**MPLS cross-connect table (mplsXCTable)**

Associates inSegments (labels) with outSegments (labels) to show the manager how the LSR is currently swapping these labels.

A row in this table consists of one cross-connect entry that is indexed by the cross-connect index, the interface index of the incoming segment, the incoming label, and the out-segment index.

The administrative and operational objects for this table control packet forwarding to and from a cross-connect entry (XCEntry). The administrative status and operational status are always up in the Cisco implementation. Otherwise, the LSR would not forward packets.

Supports:

- A unique index identifier for a group of cross-connect segments
- A label switched path (LSP) to which the cross-connect entry belongs
- An index to the MPLS label stack table that identifies the stack of labels to be pushed under the top label
- An indication whether or not to restore the cross-connect entry after a failure (the default value is false)
- The cross-connect owner
- The storage type
- The administrative status (if up)
- The operational status (if up)

**Note**

The administrative status and operational status are always up in the Cisco implementation. Otherwise, these status entries do not appear in the table.

Does not support:

- Tunnel IDs as label switched path (LSP) ID objects

## Information from Scalar Objects

The MPLS-LSR-MIB supports several scalar objects. In the Cisco implementation of the MIB, the following scalar objects are hard-coded to the value indicated and are read-only objects:

- `mplsOutSegmentIndexNext (0)`--The value for the out-segment index when an LSR creates a new entry in the MPLS out-segment table. The 0 indicates that this is not implemented because modifications to this table are not allowed.
- `mplsXCIndexNext (0)`--The value for the cross-connect index when an LSR creates an entry in the MPLS cross-connect table. The 0 indicates that no unassigned values are available.
- `mplsMaxLabelDepth(2)`--The value for the maximum stack depth.
- `mplsLabelStackIndexNext (0)`--The value for the label stack index when an LSR creates entries in the MPLS label stack table. The 0 indicates that no unassigned values are available.
- `mplsTrafficParamIndexNext (0)`--The value for the traffic parameter index when an LSR creates entries in the MPLS traffic parameter table. The 0 indicates that no unassigned values are available.

The following scalar objects do not contain information for the MPLS-LSR-MIB and are coded as false:

- `mplsInSegmentTrapEnable (false)`--In-segment traps are not sent when this value is false.
- `mplsOutSegmentTrapEnable (false)`--Out-segment traps are not sent when this value is false.
- `mplsXCTrapEnable (false)`--Cross-connect traps are not sent when this value is false.

No trap information exists to support the MIB. Therefore, the following traps are not supported:

- `mplsInSegmentUp`
- `mplsInSegmentDown`
- `mplsOutSegmentUp`
- `mplsOutSegmentDown`
- `mplsXCUp`
- `mplsXCDown`

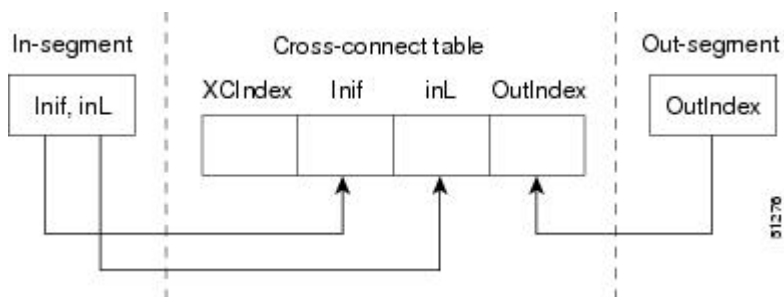
## Linking Table Elements

In the cross-connect table, cross-connect entries associate incoming segments and interfaces with outgoing segments and interfaces. The following objects index the cross-connect entry:

- Cross-connect index--A unique identifier for a group of cross-connect entries in the cross-connect table. In the Cisco implementation, this value is always the same as that for the outSegmentIndex, unless there is no label or if the label has been popped.
- Interface index of the in-segment--A unique index for an entry in the in-segment table that represents an incoming MPLS interface. The value 0 means platform wide, for any entries that apply to all interfaces.
- Incoming label--An entry in the in-segment table that represents the label on the incoming packet.
- Out-segment index--A unique identifier for an entry in the out-segment table that contains a top label for the outgoing packet's label stack and an interface index of the outgoing interface.

The figure below shows the links between the in-segment and the out-segment in the cross-connect table.

**Figure 2: Cross-Connect Table Links**



The table below shows the cross-connect table links you might see in the output from SNMP **get** operations on the MPLS-LSR-MIB objects that index a cross-connect entry. These objects include

- In-Segment Values--mplsInSegmentIfIndex and mplsInSegmentLabel
- Cross-Connect Entry--mplsXCIndex
- Out-Segment Values--mplsOutSegmentIndex

**Table 1: MPLS LSR Output Showing Cross-Connect Table Links**

In-Segment Values	Cross-Connect Entry	Out-Segment Values
0 <sup>1</sup> , 1000	500 <sup>2</sup> , 0, 1000, 0	--
	501, 0, 1000, 501	501 = Pop (topLabel), Eth 1/5
	502, 0, 1000, 502	502 = Pop (topLabel), Eth, 1/1

<sup>1</sup> All MPLS-enabled interfaces can receive incoming labels.

<sup>2</sup> For this implementation of the MPLS-LSR-MIB, the cross-connect index and the out-segment index are the same. If there is no outsegment, the value will be zero.



**Note**

The OutSegmentIndex object is not the label. The label can be retrieved from the mplsOutSegmentTopLabel object.

## Interface Configuration Table and Interface MIB Links

The MPLS interface configuration table lists interfaces that support MPLS technology. An LSR creates an entry dynamically in this table for each MPLS-capable interface. An interface becomes MPLS-capable when MPLS is enabled on that interface. A non-zero index for an entry in this table points to the ifIndex for the corresponding interface entry in the MPLS-layer in the ifTable of the Interfaces Group MIB.

The ifTable contains information on each interface in the network. Its definition of an interface includes any sublayers of the internetwork layer of the interface. MPLS interfaces fit into this definition of an interface. Therefore, each MPLS-enabled interface is represented by an entry in the ifTable.

The interrelation of entries in the ifTable is defined by the interfaces stack group of the Interfaces Group MIB. The figure below shows how the stack table might appear for MPLS interfaces. The underlying layer refers to any interface that is defined for MPLS internetworking, for example, ATM, Frame Relay, or Ethernet.

**Figure 3: Interface Group MIB Stack Table for MPLS Interfaces**

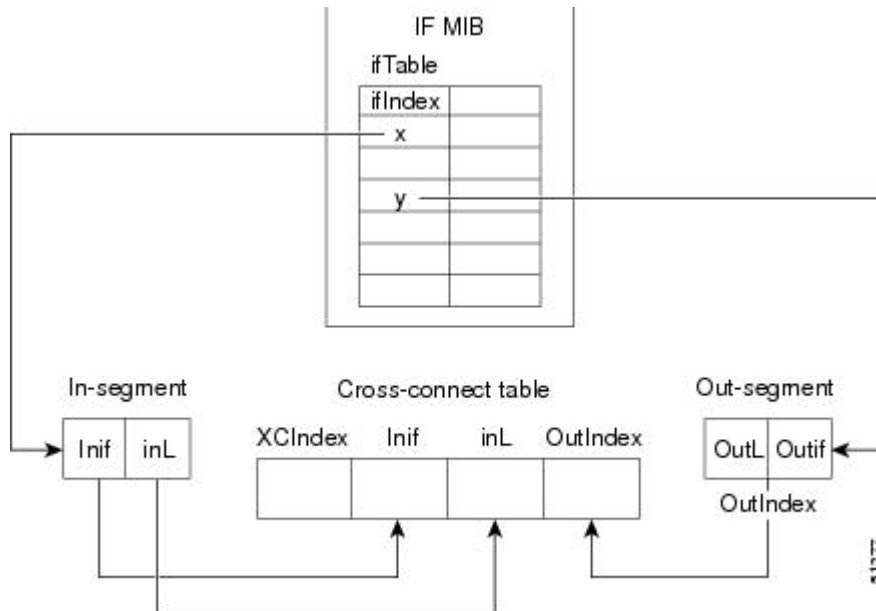
MPLS-interface ifType = mpls(166)	51273
Underlying Layer . . .	

**Note**

Tunnel interfaces are included in the MPLS list for the current implementation.

The incoming and outgoing packets include a reference to the interface index for the ifTable of the Interfaces Group MIB. The figure below shows the links between MPLS-LSR-MIB objects and the Interfaces Group MIB.

**Figure 4: MPLS-LSR-MIB and Interfaces Group MIB Links**



- For the Interfaces Group MIB (IF MIB):
  - ifTable represents the MPLS interface table.
  - ifIndex represents the index to an entry in the MPLS interface table.
- For the In-segment:
  - Inif represents the interface on the incoming segment (references an index entry in the ifTable).
  - inL represents the label on the incoming segment.
- For the Out-segment:
  - OutL represents the label on the outgoing segment.
  - Outif represents the interface on the outgoing segment (references an index entry in the ifTable).
- For the Cross-connect table:
  - XCIndex represents the index to an entry in the MPLS cross-connect table.
  - Inif represents the interface on the incoming segment.
  - inL represents the MPLS label on the incoming segment.
  - OutIndex represents an index to an entry in the MPLS out-segment table.

## Using the MPLS-LSR-MIB

The MPLS-LSR-MIB enables you to display the contents of the MPLS Label Forwarding Information Base (LFIB). It gives you the same information that you can obtain using the CLI command **show mpls forwarding-table**.

However, the MPLS-LSR-MIB approach offers these advantages over the CLI command approach:

- A more efficient use of network bandwidth
- Greater interoperability among vendors
- Greater security (SNMP Version 3)

The following paragraphs describe the MPLS-LSR-MIB structure and show, through the use of an example, how the two approaches to the information display compare.

### MPLS-LSR-MIB Structure

MIB structure is represented by a tree hierarchy. Branches along the tree have short text strings and integers to identify them. Text strings describe object names, and integers allow computer software to encode compact representations of the names.

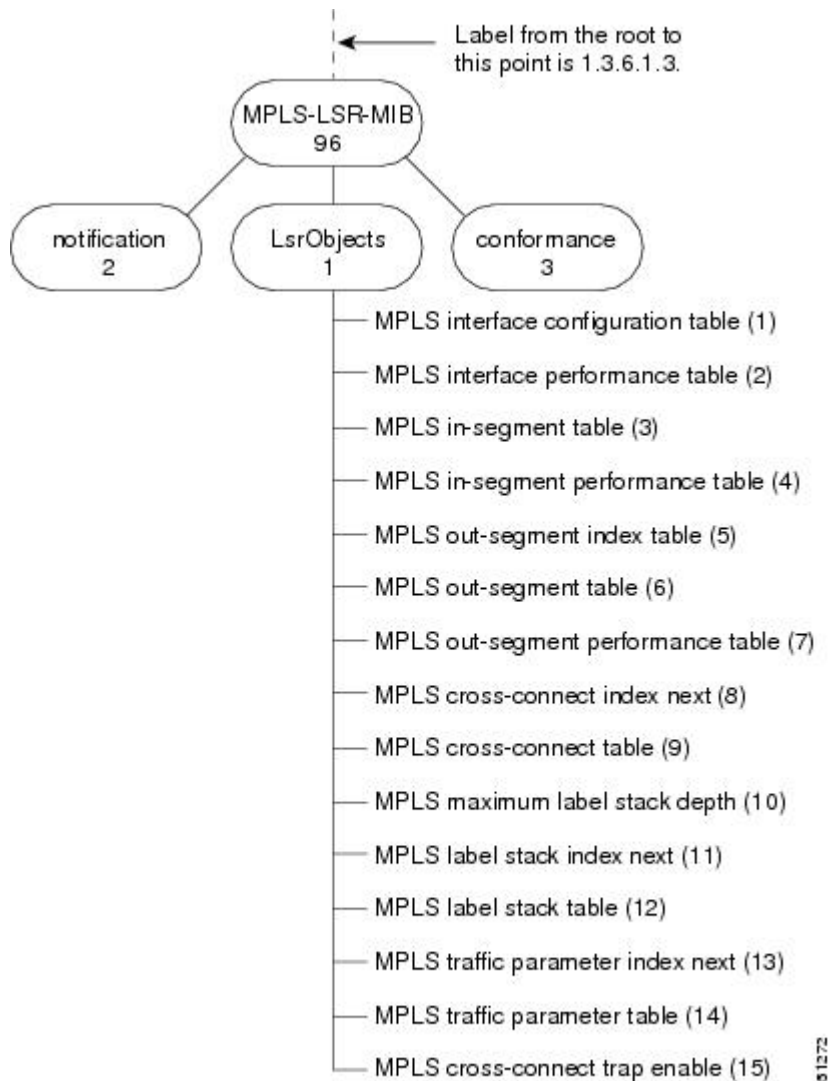
The MPLS-LSR-MIB falls on the experimental branch of the Internet MIB hierarchy. The experimental branch of the Internet MIB hierarchy is represented by the object identifier 1.3.6.1.3. This branch can also be represented by its object name *iso.org.dod.internet.experimental*. The MPLS-LSR-MIB is identified by the object name *mplsLsrMIB*, which is denoted by the number 96. Therefore, objects in the MPLS-LSR-MIB can be identified in either of the following ways:

- The object identifier--1.3.6.1.3.96.[MIB-variable]
- The object name--*iso.org.dod.internet.experimental.mplsLsrMIB*. [MIB-variable]

To display a *MIB-variable*, you enter an SNMP **get** command with an object identifier. Object identifiers are defined by the MPLS-LSR-MIB.

The figure below shows the position of the MPLS-LSR-MIB in the Internet MIB hierarchy.

**Figure 5: MPLS-LSR-MIB in the Internet MIB Hierarchy**



## CLI Commands and the MPLS-LSR-MIB

The MPLS LFIB is the component of the Cisco MPLS subsystem that contains management information for LSRs. You can access this management information by means of either of the following:

- Using the **show mpls forwarding-table** CLI command
- Entering SNMP **get** commands on a network manager

The following examples show how you can gather LSR management information using both methods.

## CLI Command Output

A **show mpls forwarding-table** CLI command allows you to look at label forwarding information for a packet on a specific MPLS LSR.

```
Router# show mpls forwarding-table
Local  Outgoing  Prefix          Bytes Tag      Outgoing  Next Hop
Tag    Tag or VC  or Tunnel Id    Switched      interface
19     Pop Tag    10.3.4.0/24     0             Et1/4     10.22.23.23
22     23        14.14.14.14/32  0             AT2/0.1   point2point
      1/36      14.14.14.14/32  0             AT2/0.2   point2point
```

## MPLS-LSR-MIB Output

SNMP commands on MIB objects also allow you to look at the label forwarding information for a specific MPLS LSR.

You can do a walk-through of the MIB by running a command such as **getmany -v2c public mplsLsrMIB** on a network manager where **getmany** does repeated SNMP **getnext** operations to retrieve the contents of the MPLS-LSR-MIB.

```
mplsXCOperStatus.9729.0.19.9729 = up(1)
mplsXCOperStatus.11265.0.22.11265 = up(1)
mplsXCOperStatus.11266.0.22.11266 = up(1)
```

You can continue to scan the output of the **getmany** command for the following (from the MPLS out-segment table):

- Out-segment's top label objects (mplsOutSegmentTopLabel)

```
mplsOutSegmentTopLabel.9729 = 3
mplsOutSegmentTopLabel.11265 = 23
mplsOutSegmentTopLabel.11266 = 65572
```



### Note

65572 is 1/36 in label form (1 is the high-order 16 bits, 36 is the low-order 16 bits.)

- Out-segment's interface index (mplsOutSegmentIfIndex)

```
mplsOutSegmentIfIndex.9729 = 7
mplsOutSegmentIfIndex.11265 = 28
mplsOutSegmentIfIndex.11266 = 31
```

## Benefits

The benefits described in the following paragraphs are available to you with the MPLS-LSR-MIB.

### Troubleshooting LSR Problems

By monitoring the cross-connect entries and the associated incoming and outgoing segments, you can see which labels are installed and how they are being swapped. Use the MPLS-LSR-MIB in place of the **show mpls forwarding** CLI command.

### Monitoring of LSR Traffic Loads

By monitoring interface and packet operations on an MPLS LSR, you can identify high- and low-traffic patterns, as well as traffic distributions.

### Improvement of Network Performance

By identifying potentially high-traffic areas, you can set up load sharing to improve network performance.

### Verification of LSR Configuration

By comparing results from SNMP **get** commands and the **show mpls forwarding** CLI command, you can verify your LSR configuration.

### Displaying of Active Label Switched Paths

By monitoring the cross-connect entries and the associated incoming segments and outgoing segments, you can determine the active LSPs.

## How to Configure the MPLS LSR MIB

### Prerequisites

The MPLS-LSR-MIB requires the following:

- SNMP installed and enabled on the LSR
- MPLS enabled on the LSR
- 60K of memory

**Note**

---

Additional capacity is not required for runtime dynamic random-access memory (DRAM).

---

### Enabling the SNMP Agent

The SNMP agent for the MPLS-LSR-MIB is disabled by default. To enable the SNMP agent, perform the following steps:

#### SUMMARY STEPS

1. **enable**
2. **show running-config**
3. **configure terminal**
4. **snmp-server community** *string* [**view** *view-name*] [**ro**] [*number*]
5. **end**
6. **copy running-config startup-config**

## DETAILED STEPS

	Command or Action	Purpose
<b>Step 1</b>	<b>enable</b>  <b>Example:</b> Router> enable	Enables privileged EXEC mode.  <ul style="list-style-type: none"> <li>• Enter your password if prompted.</li> </ul>
<b>Step 2</b>	show running-config  <b>Example:</b> Router# show running-config	Displays the running configuration of the router to determine if an SNMP agent is already running on the device.  If no SNMP information is displayed, continue with the next step.  If any SNMP information is displayed, you can modify the information or change it as desired.
<b>Step 3</b>	<b>configure terminal</b>  <b>Example:</b> Router# configure terminal	Enters global configuration mode.
<b>Step 4</b>	<b>snmp-server community</b> <i>string</i> [view <i>view-name</i> ] [ro] [ <i>number</i> ]  <b>Example:</b> Router(config)# snmp-server community public ro	Configures read-only (ro) SNMP community strings.  This command enables the SNMP agent and permits any SNMP manager to access all objects with read-only permission using the community string public.
<b>Step 5</b>	<b>end</b>  <b>Example:</b> Router(config)# end	Exits to privileged EXEC mode.
<b>Step 6</b>	copy running-config startup-config  <b>Example:</b> Router# copy running-config startup-config	Copies the modified SNMP configuration into router NVRAM, permanently saving the SNMP settings.  When you are working with Cisco IOS Release 10.3 or earlier, use the <b>write memory</b> command.

## Verifying That the SNMP Agent Has Been Enabled

To verify that the SNMP agent has been enabled, perform the following steps:

**SUMMARY STEPS**

1. Access the router through a Telnet session:
2. Enter privileged mode:
3. Display the running configuration and look for SNMP information:

**DETAILED STEPS**


---

**Step 1** Access the router through a Telnet session:

**Example:**

```
Prompt# telnet xxx.xxx.xxx.xxx
```

where *xxx.xxx.xxx.xxx* represents the IP address of the target device.

**Step 2** Enter privileged mode:

**Example:**

```
Router# enable
```

**Step 3** Display the running configuration and look for SNMP information:

**Example:**

```
Router# show running-configuration
...
...
snmp-server community public RO
```

If you see any “snmp-server” statements, SNMP has been enabled on the router.

---

## Configuration Examples for the MPLS LSR MIB

The following example shows how to enable an SNMP agent.

```
configure terminal
snmp-server community
```

In the following example, SNMPv1 and SNMPv2C are enabled. The configuration permits any SNMP manager to access all objects with read-only permissions using the community string *public*.

```
configure terminal
snmp-server community public
```

In the following example, read-only access is allowed for all objects to members of access list 4 that specify the *comaccess* community string. No other SNMP managers have access to any objects.

```
configure terminal
snmp-server community comaccess ro 4
```



# Additional References

## Related Documents

Related Topic	Document Title
Configuring SNMP using Cisco IOS software	<ul style="list-style-type: none"> <li>• <i>Network Management Configuration Guide . Configuring SNMP Support</i></li> <li>• Network Management Command Reference, SNMP Commands</li> </ul>

## Standards

Standard	Title
draft-ietf-mpls-lsr-mib-05.txt	MPLS Label Switch Router Management Information Base Using SMIV2
draft-ietf-mpls-arch-07.txt	Multiprocol Label Switching Architecture

## MIBs

MIBs	MIBs Link
<ul style="list-style-type: none"> <li>• MPLS Label Switching Router MIB (MPLS-LSR-MIB)</li> </ul>	<p>To locate and download MIBs for selected platforms, Cisco software releases, and feature sets, use Cisco MIB Locator found at the following URL:</p> <p><a href="http://www.cisco.com/go/mibs">http://www.cisco.com/go/mibs</a></p>

## RFCs

RFCs	Title
The LSR implementation supporting the MPLS-LSR-MIB is in full compliance with all provisions of Section 10 of RFC 2026.	<i>The Internet Standards Process</i>

**Technical Assistance**

Description	Link
<p>The Cisco Technical Support website contains thousands of pages of searchable technical content, including links to products, technologies, solutions, technical tips, and tools. Registered Cisco.com users can log in from this page to access even more content.</p> <p>The Cisco Support website provides extensive online resources, including documentation and tools for troubleshooting and resolving technical issues with Cisco products and technologies.</p> <p>To receive security and technical information about your products, you can subscribe to various services, such as the Product Alert Tool (accessed from Field Notices), the Cisco Technical Services Newsletter, and Really Simple Syndication (RSS) Feeds.</p> <p>Access to most tools on the Cisco Support website requires a Cisco.com user ID and password.</p>	<p><a href="http://www.cisco.com/techsupport">http://www.cisco.com/techsupport</a></p>

## Feature Information for MPLS Label Switching Router MIB

The following table provides release information about the feature or features described in this module. This table lists only the software release that introduced support for a given feature in a given software release train. Unless noted otherwise, subsequent releases of that software release train also support that feature.

Use Cisco Feature Navigator to find information about platform support and Cisco software image support. To access Cisco Feature Navigator, go to [www.cisco.com/go/cfn](http://www.cisco.com/go/cfn). An account on Cisco.com is not required.

Table 2: Feature Information for MPLS Label Switching Router MIB

Feature Name	Releases	Feature Information
MPLS Label Switching Router MIB	12.0(14)ST 12.2(2)T 12.0(22)S 12.2(14)S 12.2(25)S 12.0(28)S 12.2(33)SRB 12.2(33)SB Cisco IOS XE Release 3.8S	<p>The MPLS Label Switching Router MIB (MPLS-LSR-MIB) allows you to use the Simple Network Management Protocol (SNMP) to remotely monitor a label switch router (LSR) that is using the Multiprotocol Label Switching (MPLS) technology.</p> <p>This feature was introduced on Cisco IOS Release 12.0(14)ST.</p> <p>This feature was integrated into Cisco IOS Release 12.2(2)T.</p> <p>This feature was implemented on the Cisco 12000 series routers and integrated into Cisco IOS Release 12.0(22)S.</p> <p>This feature was integrated into Cisco IOS Release 12.2(14)S and implemented on Cisco 7200 and Cisco 7500 series routers.</p> <p>This feature was updated to include scalability enhancements in Cisco IOS Release 12.0(28)S.</p> <p>In Cisco IOS Release 12.2(25)S, this feature was updated to work in the MPLS High Availability environment with the Cisco 7500 series routers.</p> <p>In Cisco IOS Release 12.2(33)SRB, this MIB has been deprecated and replaced by MPLS-LSR-STD-MIB (RFC 3813).</p> <p>In Cisco IOS Release 12.2(33)SB, this MIB has been deprecated and replaced by MPLS-LSR-STD-MIB (RFC 3813).</p> <p>In Cisco IOS XE Release 3.8S, support was added for the Cisco ISR 4400 Series Routers.</p> <p>No commands were introduced or modified.</p>

# Glossary

**cross-connect (XC)** --An association of in-segments and incoming Multiprotocol Label Switching (MPLS) interfaces to out-segments and outgoing MPLS interfaces.

**IETF** --Internet Engineering Task Force. A task force (consisting of more than 80 working groups) that is developing standards for the Internet and the IP suite of protocols.

**inSegment** --A label on an incoming packet that is used to determine the forwarding of the packet.

**Internet Engineering Task Force** --See IETF.

**label** --A short, fixed length identifier that is used to determine the forwarding of a packet.

**Label Distribution Protocol** --See LDP.

**label switched path** --See LSP.

**label switching** --Describes the forwarding of IP (or other network layer) packets by a label swapping algorithm based on network layer routing algorithms. The forwarding of these packets uses the exact match algorithm and rewrites the label.

**label switch router** --See LSR.

**LDP** --Label Distribution Protocol. A standard protocol that operates between Multiprotocol Label Switching (MPLS)-enabled routers to negotiate the labels (addresses) used to forward packets. The Cisco proprietary version of this protocol is the Tag Distribution Protocol (TDP).

**LSP** --label switched path. A sequence of hops in which a packet travels from one router to another router by means of label switching mechanisms. A label switched path can be established dynamically, based on normal routing mechanisms, or through configuration.

**LSR** --label switch router. A device that forwards Multiprotocol Label Switching (MPLS) packets based on the value of a fixed-length label encapsulated in each packet.

**Management Information Base** --See MIB.

**MIB** --Management Information Base. A database of network management information that is used and maintained by a network management protocol such as Simple Network Management Protocol (SNMP). The value of a MIB object can be changed or retrieved by means of SNMP commands, usually through a network management system. MIB objects are organized in a tree structure that includes public (standard) and private (proprietary) branches.

**MPLS** --Multiprotocol Label Switching. A switching method that forwards IP traffic through use of a label. This label instructs the routers and the switches in the network where to forward the packets. The forwarding of MPLS packets is based on preestablished IP routing information.

**MPLS interface** --An interface on which Multiprotocol Label Switching (MPLS) traffic is enabled.

**Multiprotocol Label Switching** --See MPLS.

**notification request** --A message sent by a Simple Network Management Protocol (SNMP) agent to a network management station, console, or terminal, indicating that a significant event occurred. SNMP notification requests are more reliable than traps, because a notification request from an SNMP agent requires that the SNMP manager acknowledge receipt of the notification request. The manager replies with an SNMP response protocol data unit (PDU). If the manager does not receive a notification message from an SNMP agent, it does not send a response. If the sender (SNMP agent) never receives a response, the notification request can be sent again.

**outSegment** --A label on an outgoing packet.

**Simple Network Management Protocol** --See SNMP.

**SNMP** --Simple Network Management Protocol. A management protocol used almost exclusively in TCP/IP networks. SNMP provides a means for monitoring and controlling network devices, and for managing configurations, statistics collection, performance, and security.

**trap** --A message sent by a Simple Network Management Protocol (SNMP) agent to a network management station, console, or terminal, indicating that a significant event occurred. Traps are less reliable than notification requests, because the receiver does not send an acknowledgment when it receives a trap. The sender cannot determine if the trap was received.



---

**Note**

Refer to the Cisco [Dictionary of Internetworking Terms and Acronyms](#) for terms not included in this glossary.

---

