



Test Results for Upgrade/Migration of Engineering Special and Service Update to Cisco Unified Communications System Release 8.5(1) for Japanese

Add-on testing

Japan Headquarters
Cisco Systems G.K
Midtown Tower Building 9-7-1
Akasaka, Minato-Ku
Tokyo 107-6227
Japan
<http://www.cisco.com>
Tel: +81-3-6434-6500
Fax: +81-3-6434-6501

Text Part Number: OL-25115-01

Cisco and the Cisco Logo are trademarks of Cisco Systems, Inc. and/or its affiliates in the U.S. and other countries. A listing of Cisco's trademarks can be found at www.cisco.com/go/trademarks. Third party trademarks mentioned are the property of their respective owners. The use of the word partner does not imply a partnership relationship between Cisco and any other company. (1005R)

Any Internet Protocol (IP) addresses used in this document are not intended to be actual addresses. Any examples, command display output, and figures included in the document are shown for illustrative purposes only. Any use of actual IP addresses in illustrative content is unintentional and coincidental.

Test Results for Upgrade/Migration of Engineering Special and Service Update to Cisco Unified Communications System Release 8.5(1) for Japanese - Add-on testing
© 2010 Cisco Systems, Inc. All rights reserved.



CONTENTS

CHAPTER 1**Cisco Unified Communication Upgrade-ES/SU Test for Japanese 1-1**

- Overview 1-1
- Engineering Special Release 1-2
- Service Update Release 1-2

CHAPTER 2**Upgrade Topology and Matrices 2-1**

- Upgrade Topology 2-2
- UCS Component Matrix Common for All Releases 2-3
- Upgrade Path to Unified CM 8.5 2-4
- ES/SU Matrix 2-5

CHAPTER 3**Test Results Summary 3-1**

- Engineering Special - Release Sets 3-2
 - Multi-Stage Upgrade 3-2
 - Upgrade 5.1.3 through 7.1(5) to 8.5(1) 3-2
 - Upgrade 6.1.3 through 7.1(5) to 8.5(1) 3-4
 - Single-Stage Upgrade 3-6
 - Upgrade 6.1.5 to 8.5(1) 3-6
 - Upgrade 7.1.3 to 8.5(1) 3-8
 - Upgrade 7.1.5 to 8.5(1) 3-9
- Service Update - Release Sets 3-10
 - Multi-Stage Upgrade 3-10
 - Upgrade 4.1.3 through 7.1(3) to 8.5(1) 3-10
 - Upgrade 5.1.3 through 7.1(5) to 8.5(1) 3-12
 - Upgrade 6.1.3 through 7.1(5) to 8.5(1) 3-13
 - Single-Stage Upgrade 3-15
 - Upgrade 6.1.5 to 8.5(1) 3-15
 - Upgrade 7.1.3 to 8.5(1) 3-16
 - Upgrade 7.1.5 to 8.5(1) 3-17

CHAPTER 4**Best Practices and Limitations 4-1**

- Best Practices 4-1
- Limitations 4-2

[Related Documentation](#) 4-3



CHAPTER 1

Cisco Unified Communication Upgrade-ES/SU Test for Japanese

This chapter contains the following sections:

- [Overview](#)
- [Engineering Special Release](#)
- [Service Update Release](#)

Overview

Cisco Unified Communication System Upgrade/Migration Test is an integral part of the Cisco Unified Communication Solution. It is a program that validates and tests upgrade/migration of Unified Communications Manager of the Cisco Unified Communications System. This is achieved by testing the upgrade and migration of different versions of Unified Communications Manager to the latest version 8.5.1.

This document contains the test results of Cisco Unified Communications Upgrade-ES/SU Testing with Japanese localized environment. The testing involves upgrade and migration of different ES/SU Release of Unified Communications Manager to Virtualized Servers on VMware on UCS B-series servers with Japanese environment such as Japanese OS and Localized application.

The test execution is carried out on selected UC products, which affects the Japanese segment and that are prioritized based on inputs from various teams of Cisco Japan. Japanese specific equivalents such as, Japanese locale, Japanese Operating System, and JPNP for Numbering Plan are implemented.

Cisco Unified Communications System Test for Japanese is a testing at the solution level, where the requirements gathered are specific to Japanese usage and market. The requirements are derived based on the following:

- Customer demands for upgrading/migrating from the existing ES/SU releases
- Inputs from various teams of Cisco Japan.

The objective of Cisco Unified Communications System Test for Japanese is to run a sub-set of system testing that is not covered by Cisco Unified Communications System Test and implement equivalents with Japanese environment such as Japanese OS and localized application.

Engineering Special Release

An "ES" or Engineering Special is a temporary continuation of the most recent releases of Unified Communications Manager to provide resolution to customer found issues. ES contains only bug fixes (no enhancements or features) that is only available internally and can be obtained based on request. Any fix added to an ES release will be included in all subsequent ES's of the same release and in all higher releases.

Service Update Release

SU stands for Service Update, but originally it stood for Security Update, and as a mechanism that would be used with the Linux versions of Unified Communications Manager to quickly release critical security fixes to existing branches. Service Update Releases are available in Cisco.com for download.



CHAPTER 2

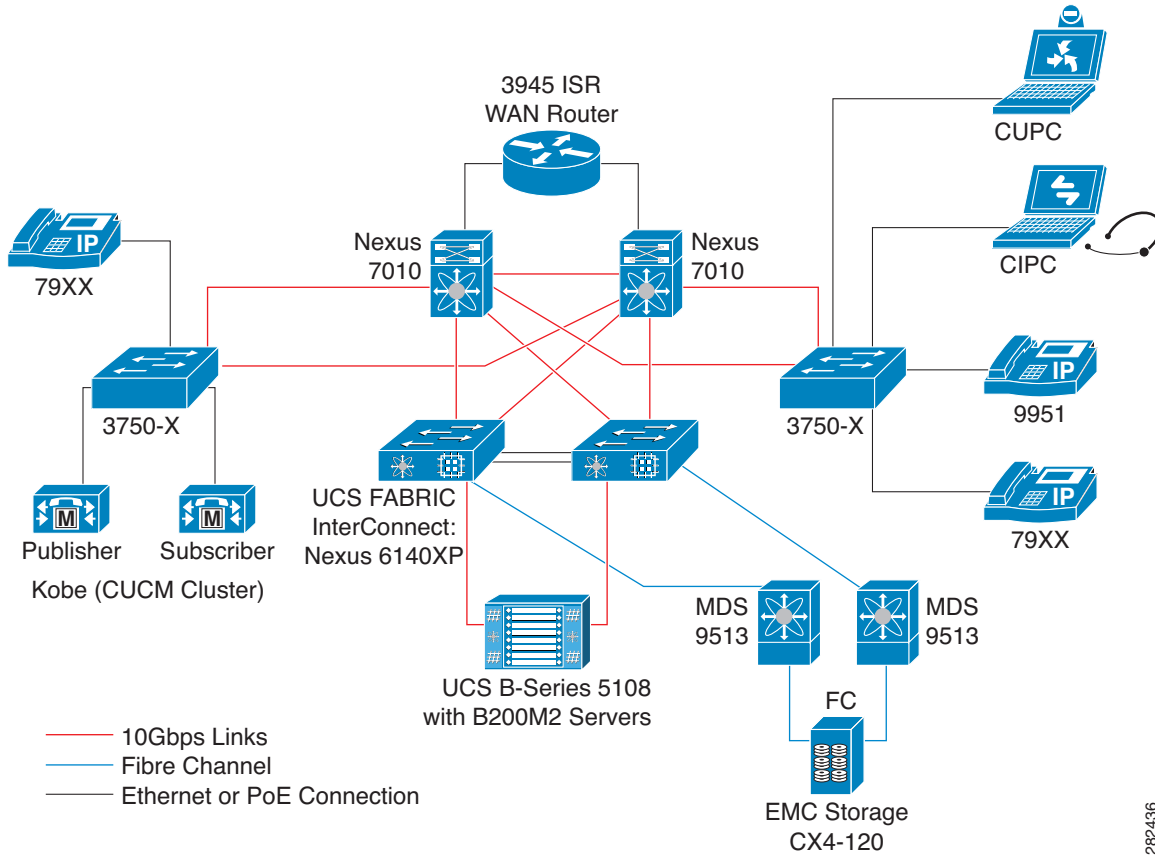
Upgrade Topology and Matrices

This chapter contains the following sections:

- [Upgrade Topology](#)
- [UCS Component Matrix Common for All Releases](#)
- [Upgrade Path to Unified CM 8.5](#)
- [ES/SU Matrix](#)

Upgrade Topology

Figure 2-1 Upgrade Topology



282436

UCS Component Matrix Common for All Releases

Table 2-1 UCS Component Matrix Common for All Releases

Category	Component	Hardware	Version
UCS-B Series	Cisco UCS B Series Chassis	UCS 5108	1.4(1m)
Servers	Cisco UCS B200 M2	B200 M2	1.4(1m)
IO Module	Fabric Extender	UCS 2104XP	1.4(1m)
Fabric Interconnect	Fabric Interconnect PRIMARY	Cisco UCS 6140XP	UCS Manager 1.4(1m)
Fabric Interconnect	Fabric Interconnect SUBORDINATE	Cisco UCS 6140XP	UCS Manager 1.4(1m)
Fabric Interconnect	Fabric Cluster	Cisco UCS 6140XP	UCS Manager 1.4(1m)
Hypervisor	ESXi host on Blade Server	N/A	ESXi 4.1
Virtual Switch	Nexus 1000V	N/A	Nexus1000v.4.2.1.SV1.4
Storage Switch	MDS Switch	M9513	5.0(3)
MCS	CUCM	MCS 7835 -I2,H2	
Voice Gateway	IOS	Voice gateways 3945	15.1(3)T
Switch	Access Switch	Cisco Catalyst 3750	12.2(53r)SE1

Upgrade Path to Unified CM 8.5

The following table provides the upgrade path for all Unified Communications Manager release to latest release 8.5.1

Table 2-2 Upgrade Path to Unified CM 8.5

Service Update	Engineering Special	Intermediate Release Set	Upgrade Type
4.1(3)SR8a	—	7.1(3)	Multi-Stage
5.1(3g)	5.1(3.7109.1)	7.1(5)	Multi-Stage
6.1(3b)SU1	6.1.3.3219-1	7.1(5)	Multi-Stage
6.1(5)SU2	6.1.5.13036-1	N/A	Single-Stage
7.1(3b)SU2	7.1.3.33040-2	N/A	Single-Stage
7.1(5b)SU3	7.1.5.33038-1	N/A	Single-Stage

ES/SU Matrix

The following table includes the engineering special and service update used as base release set for the upgrade and migration of 8.5.1

Base Release Set	Service Update	Engineering Special	Upgrade Type
4.1(3)	4.1(3)SR8a		Multi-stage
5.1(3)	5.1(3g)	5.1(3.7109.1)	Multi-stage
6.1(3)	6.1(3b)SU1	6.1.3.3219-1	Multi-stage
6.1(5)	6.1(5)SU2	6.1.5.13036-1	Single-stage
7.1(3)	7.1(3b)SU2	7.1.3.33040-2	Single-stage
7.1(5)	7.1(5b)SU3	7.1.5.33038-1	Single-stage



CHAPTER 3

Test Results Summary

This chapter contains the following sections:

- [Engineering Special - Release Sets](#)
- [Service Update - Release Sets](#)

Engineering Special - Release Sets

Multi-Stage Upgrade

Upgrade 5.1.3 through 7.1(5) to 8.5(1)

Environment matrix of Upgrade 5.1.3

Product/Component	ES - Base Release Set	Intermediate Release set	Target Release set
Cisco Unified Communications Manager	5.1(3.7109.1)	7.1.5-10000-10 to 7.1.5-32900-2	8.5.1-10000-26
Cisco Unified Communications Manager Locale	cm-locale-ja_JP-5.1.1.2000-1.cop.sgn	cm-locale-ja_JP-7.1.5.1200-1.cop.sgn	cm-locale-ja_JP-8.5.1.1000-1.cop.sgn
IP Communicator	2.0(1)	7.0(3)	7.0(3)

Test Results

ID	Features tested	Case Title	Description	Call Component Flow	Status	Defects
UC851S.UPGRADE.U.568	Upgrade	Upgrade Cisco Unified Communications Manager publisher 5.x	To verify a successful upgrade of Cisco Unified Communications Manager 7.1(5)		Passed	
UC851S.UPGRADE.U.580	Upgrade	Installation of service Patch	To verify that installation of service patch is successful		Passed	
UC851S.UPGRADE.U.572	Upgrade	Upgrade Cisco Unified Communications Manager publisher 7.1(5)	To verify a successful upgrade of Cisco Unified Communications Manager 8.5.1		Passed	
UC851S.UPGRADE.U.576	Upgrade	Backup – Cisco Unified Communications Manager using Disaster recovery system in MCS	To verify that 100% backup of Cisco Unified Communications Manager is successful.		Passed	
UC851S.UPGRADE.U.577	Upgrade	Installation of Cisco Unified Communications Manager 8.5.1 on UCS	To verify that Cisco Unified Communications Manager 8.5.1 installation is successful.		Passed	

ID	Features tested	Case Title	Description	Call Component Flow	Status	Defects
UC851S.UPGRADE.U.578	Upgrade	Applying License for Cisco Unified Communications Manager 8.5.1 installed on UCS	To verify that license upload is successful.		Passed	
UC851S.UPGRADE.U.579	Upgrade	Restore – Cisco Unified Communications Manager using Disaster recovery system in UCS	To verify that 100% restore of Cisco Unified Communications Manager is successful.		Passed	

Upgrade 6.1.3 through 7.1(5) to 8.5(1)

Environment matrix of Upgrade 6.1.3

Product/Component	ES - Base Release Set	Intermediate Release set	Target Release set
Cisco Unified Communications Manager	6.1.3.3219-1	7.1.5.10000-12	8.5.1-10000-26
Cisco Unified Communications Manager Locale	cm-locale-ja_JP-6.1.3.3000-1.cop.sgn	cm-locale-ja_JP-7.1.5.1200-1.cop.sgn	cm-locale-ja_JP-8.5.1.1000-1.cop.sgn
IP Communicator	2.0(1)	7.0(3)	7.0(3)

Test Results

ID	Features tested	Case Title	Description	Call Component Flow	Status	Defects
UC851S.UPGRADE.U.581	Upgrade	Upgrade Cisco Unified Communications Manager publisher 6.1.3	To verify a successful upgrade of Cisco Unified Communications Manager 7.1(5)		Passed	
UC851S.UPGRADE.U.593	Upgrade	Installation of service Patch	To verify that installation of service patch is successful		Passed	
UC851S.UPGRADE.U.585	Upgrade	Upgrade Cisco Unified Communications Manager publisher 7.1(5)	To verify a successful upgrade of Cisco Unified Communications Manager 8.5.1		Passed	
UC851S.UPGRADE.U.589	Upgrade	Backup – Cisco Unified Communications Manager using Disaster recovery system in MCS	To verify that 100% backup of Cisco Unified Communications Manager is successful.		Passed	
UC851S.UPGRADE.U.590	Upgrade	Installation of Cisco Unified Communications Manager 8.5.1 on UCS	To verify that Cisco Unified Communications Manager 8.5.1 installation is successful.		Passed	

ID	Features tested	Case Title	Description	Call Component Flow	Status	Defects
UC851S.UPGRADE.U.591	Upgrade	Applying License for Cisco Unity Connection 8.5.1 installed on UCS	To verify that license upload is successful.		Passed	
UC851S.UPGRADE.U.592	Upgrade	Restore – Cisco Unified Communications Manager using Disaster recovery system in UCS	To verify that 100% restore of Cisco Unified Communications Manager is successful.		Passed	

Single-Stage Upgrade

Upgrade 6.1.5 to 8.5(1)

Environment matrix of Upgrade 6.1.5

Product/Component	ES - Base Release Set	Target Release set
Cisco Unified Communications Manager	6.1.5.13036-1	8.5.1-10000-26
Cisco Unified Communications Manager Locale	cm-locale-ja_JP-6.1.3.3000-1.cop.sgn	cm-locale-ja_JP-8.5.1.1000-1.cop.sgn
IP Communicator	2.0(1)	7.0(3)

Test Results

ID	Features tested	Case Title	Description	Call Component Flow	Status	Defects
UC851S.UPGRADE.U.594	Upgrade	Upgrade Cisco Unified Communications Manager publisher 6.1.5	To verify a successful upgrade of Cisco Unified Communications Manager 8.5.1		Passed	
UC851S.UPGRADE.U.602	Upgrade	Installation of service Patch	To verify that installation of service patch is successful		Passed	
UC851S.UPGRADE.U.598	Upgrade	Backup – Cisco Unified Communications Manager using Disaster recovery system in MCS	To verify that 100% backup of Cisco Unified Communications Manager is successful.		Passed	
UC851S.UPGRADE.U.599	Upgrade	Installation of Cisco Unified Communications Manager 8.5.1 on UCS	To verify that Cisco Unified Communications Manager 8.5.1 installation is successful.		Passed	

ID	Features tested	Case Title	Description	Call Component Flow	Status	Defects
UC851S.UPGRADE.U.600	Upgrade	Applying License for Cisco Unified Communications Manager 8.5.1 installed on UCS	To verify that license upload is successful.		Passed	
UC851S.UPGRADE.U.601	Upgrade	Restore – Cisco Unified Communications Manager using Disaster recovery system in UCS	To verify that 100% restore of Cisco Unified Communications Manager is successful.		Passed	

Upgrade 7.1.3 to 8.5(1)

Environment matrix of Upgrade 7.1.3

Product/Component	ES - Base Release Set	Target Release set
Cisco Unified Communications Manager	7.1.3.33040-2	8.5.1-10000-26
Cisco Unified Communications Manager Locale	cm-locale-ja_JP-7.1.3.2000-1.cop.sgn	cm-locale-ja_JP-8.5.1.1000-1.cop.sgn
IP Communicator	7.0(3)	7.0(3)

Test Results

ID	Features tested	Case Title	Description	Call Component Flow	Status	Defects
UC851S.UPGRADE.U.603	Upgrade	Upgrade Cisco Unified Communications Manager publisher 7.1.3	To verify a successful upgrade of Cisco Unified Communications Manager 8.5.1		Passed	
UC851S.UPGRADE.U.611	Upgrade	Installation of service Patch	To verify that installation of service patch is successful		Passed	
UC851S.UPGRADE.U.607	Upgrade	Backup – Cisco Unified Communications Manager using Disaster recovery system in MCS	To verify that 100% backup of Cisco Unified Communications Manager is successful.		Passed	
UC851S.UPGRADE.U.608	Upgrade	Installation of Cisco Unified Communications Manager 8.5.1 on UCS	To verify that Cisco Unified Communications Manager 8.5.1 installation is successful.		Passed	
UC851S.UPGRADE.U.609	Upgrade	Applying License for Cisco Unified Communications Manager 8.5.1 installed on UCS	To verify that license upload is successful.		Passed	
UC851S.UPGRADE.U.610	Upgrade	Restore – Cisco Unified Communications Manager using Disaster recovery system in UCS	To verify that 100% restore of Cisco Unified Communications Manager is successful.		Passed	

Upgrade 7.1.5 to 8.5(1)

Environment matrix of Upgrade 7.1.5

Product/Component	ES - Base Release Set	Target Release set
Cisco Unified Communications Manager	7.1.5.33038-1	8.5.1-10000-26
Cisco Unified Communications Manager Locale	cm-locale-ja_JP-7.1.5.1200-1.cop.sgn	cm-locale-ja_JP-8.5.1.1000-1.cop.sgn
IP Communicator	7.0(3)	7.0(3)

Test Results

ID	Features tested	Case Title	Description	Call Component Flow	Status	Defects
UC851S.UPGRADE.U.612	Upgrade	Upgrade Cisco Unified Communications Manager publisher 7.1.5	To verify a successful upgrade of Cisco Unified Communications Manager 8.5.1		Passed	
UC851S.UPGRADE.U.621	Upgrade	Installation of service Patch	To verify that installation of service patch is successful		Passed	
UC851S.UPGRADE.U.616	Upgrade	Backup – Cisco Unified Communications Manager using Disaster recovery system in MCS	To verify that 100% backup of Cisco Unified Communications Manager is successful.		Passed	
UC851S.UPGRADE.U.617	Upgrade	Installation of Cisco Unified Communications Manager 8.5.1 on UCS	To verify that Cisco Unified Communications Manager 8.5.1 installation is successful.		Passed	
UC851S.UPGRADE.U.619	Upgrade	Applying License for Cisco Unified Communications Manager 8.5.1 installed on UCS	To verify that license upload is successful.		Passed	
UC851S.UPGRADE.U.620	Upgrade	Restore – Cisco Unified Communications Manager using Disaster recovery system in UCS	To verify that 100% restore of Cisco Unified Communications Manager is successful.		Passed	

Service Update - Release Sets

Multi-Stage Upgrade

Upgrade 4.1.3 through 7.1(3) to 8.5(1)

Environment matrix of Upgrade 4.1.3

Product/Component	SU - Base Release Set	Intermediate Release set	Target Release set
Cisco Unified Communications Manager	4.1(3)_SR8a	7.1(3)	8.5.1-10000-26
DMA (Data Migration Assistant)	7.1(3)	—	—
Cisco Unified Communications Manager Locale	cm-locale-ja_JP-4.1.3.4200.exe	cm-locale-ja_JP-7.1.3.2000-1.cop.sgn	cm-locale-ja_JP-8.5.1.1000-1.cop.sgn
IP Communicator	2.0(1)	7.0(3)	7.0(3)

Test Results

ID	Features tested	Case Title	Description	Call Component Flow	Status	Defects
UC851S.UPGRADE.U.500	Upgrade	Upgrade Cisco Unified Communications Manager publisher 4.1.3	To verify a successful upgrade of Cisco Unified Communications Manager to version 7.1(3)		Passed	
UC851S.UPGRADE.U.512	Upgrade	Installation of service Patch	To verify that installation of service patch is successful		Passed	
UC851S.UPGRADE.U.504	Upgrade	Upgrade Cisco Unified Communications Manager publisher 7.1(3)	To verify a successful upgrade of Cisco Unified Communications Manager to 8.5.1		Passed	
UC851S.UPGRADE.U.508	Upgrade	Backup – Cisco Unified Communications Manager using Disaster recovery system in MCS	To verify that 100% backup of Cisco Unified Communications Manager is successful.		Passed	
UC851S.UPGRADE.U.509	Upgrade	Installation of Cisco Unified Communications Manager 8.5.1 on UCS	To verify that Cisco Unified Communications Manager 8.5.1 installation is successful.		Passed	

ID	Features tested	Case Title	Description	Call Component Flow	Status	Defects
UC851S.UPGRADE.U.510	Upgrade	Applying License for Cisco Unified Communications Manager 8.5.1 installed on UCS	To verify that license upload is successful.		Passed	
UC851S.UPGRADE.U.511	Upgrade	Restore – Cisco Unified Communications Manager using Disaster recovery system in UCS	To verify that 100% restore of Cisco Unified Communications Manager is successful.		Passed	

Upgrade 5.1.3 through 7.1(5) to 8.5(1)

Environment matrix of Upgrade 5.1.3

Product/Component	SU - Base Release Set	Intermediate Release set	Target Release set
Cisco Unified Communications Manager	5.1(3g)	7.1.5-10000-10 to 7.1.5-32900-2	8.5.1-10000-26
Cisco Unified Communications Manager Locale	cm-locale-ja_JP-5.1.1.2000-1.cop.sgn	cm-locale-ja_JP-7.1.5.1200-1.cop.sgn	cm-locale-ja_JP-8.5.1.1000-1.cop.sgn
IP Communicator	2.0(1)	7.0(3)	7.0(3)

Test Results

ID	Features tested	Case Title	Description	Call Component Flow	Status	Defects
UC851S.UPGRADE.U.513	Upgrade	Upgrade Cisco Unified Communications Manager publisher 5.x	To verify a successful upgrade of Cisco Unified Communications Manager 7.1(5)		Passed	
UC851S.UPGRADE.U.525	Upgrade	Installation of service Patch	To verify that installation of service patch is successful		Passed	
UC851S.UPGRADE.U.517	Upgrade	Upgrade Cisco Unified Communications Manager publisher 7.1(5)	To verify a successful upgrade of Cisco Unified Communications Manager 8.5.1		Passed	
UC851S.UPGRADE.U.521	Upgrade	Backup – Cisco Unified Communications Manager using Disaster recovery system in MCS	To verify that 100% backup of Cisco Unified Communications Manager is successful.		Passed	
UC851S.UPGRADE.U.522	Upgrade	Installation of Cisco Unified Communications Manager 8.5.1 on UCS	To verify that Cisco Unified Communications Manager 8.5.1 installation is successful.		Passed	
UC851S.UPGRADE.U.523	Upgrade	Applying License for Cisco Unified Communications Manager 8.5.1 installed on UCS	To verify that license upload is successful.		Passed	
UC851S.UPGRADE.U.524	Upgrade	Restore – Cisco Unified Communications Manager using Disaster recovery system in UCS	To verify that 100% restore of Cisco Unified Communications Manager is successful.		Passed	

Upgrade 6.1.3 through 7.1(5) to 8.5(1)

Environment matrix of Upgrade 6.1.3

Product/Component	SU - Base Release Set	Intermediate Release set	Target Release set
Cisco Unified Communications Manager	6.1(3b)SU1	7.1.5.10000-12	8.5.1-10000-26
Cisco Unified Communications Manager Locale	cm-locale-ja_JP-6.1.3.3000-1.cop.sgn	cm-locale-ja_JP-7.1.5.1200-1.cop.sgn	cm-locale-ja_JP-8.5.1.1000-1.cop.sgn
IP Communicator	2.0(1)	7.0(3)	7.0(3)

Test Results

ID	Features tested	Case Title	Description	Call Component Flow	Status	Defects
UC851S.UPGRADE.U.526	Upgrade	Upgrade Cisco Unified Communications Manager publisher 6.1.3	To verify a successful upgrade of Cisco Unified Communications Manager 7.1(5)		Passed	
UC851S.UPGRADE.U.539	Upgrade	Installation of service Patch	To verify that installation of service patch is successful		Passed	
UC851S.UPGRADE.U.530	Upgrade	Upgrade Cisco Unified Communications Manager publisher 7.1(5)	To verify a successful upgrade of Cisco Unified Communications Manager 8.5.1		Passed	
UC851S.UPGRADE.U.535	Upgrade	Backup – Cisco Unified Communications Manager using Disaster recovery system in MCS	To verify that 100% backup of Cisco Unified Communications Manager is successful.		Passed	
UC851S.UPGRADE.U.536	Upgrade	Installation of Cisco Unified Communications Manager 8.5.1 on UCS	To verify that Cisco Unified Communications Manager 8.5.1 installation is successful.		Passed	

ID	Features tested	Case Title	Description	Call Component Flow	Status	Defects
UC851S.UPGRADE. U.537	Upgrade	Applying License for Cisco Unity Connection 8.5.1 installed on UCS	To verify that license upload is successful.		Passed	
UC851S.UPGRADE. U.538	Upgrade	Restore – Cisco Unified Communications Manager using Disaster recovery system in UCS	To verify that 100% restore of Cisco Unified Communications Manager is successful.		Passed	

Single-Stage Upgrade

Upgrade 6.1.5 to 8.5(1)

Environment matrix of Upgrade 6.1.5

Product/Component	SU - Base Release Set	Target Release set
Cisco Unified Communications Manager	6.1(5)SU2	8.5.1-10000-26
Cisco Unified Communications Manager Locale	cm-locale-ja_JP-6.1.3.3000-1.cop.sgn	cm-locale-ja_JP-8.5.1.1000-1.cop.sgn
IP Communicator	2.0(1)	7.0(3)

Test Results

ID	Features tested	Case Title	Description	Call Component Flow	Status	Defects
UC851S.UPGRADE.U.540	Upgrade	Upgrade Cisco Unified Communications Manager publisher 6.1.5	To verify a successful upgrade of Cisco Unified Communications Manager 8.5.1		Passed	
UC851S.UPGRADE.U.548	Upgrade	Installation of service Patch	To verify that installation of service patch is successful		Passed	
UC851S.UPGRADE.U.544	Upgrade	Backup – Cisco Unified Communications Manager using Disaster recovery system in MCS	To verify that 100% backup of Cisco Unified Communications Manager is successful.		Passed	
UC851S.UPGRADE.U.545	Upgrade	Installation of Cisco Unified Communications Manager 8.5.1 on UCS	To verify that Cisco Unified Communications Manager 8.5.1 installation is successful.		Passed	
UC851S.UPGRADE.U.546	Upgrade	Applying License for Cisco Unified Communications Manager 8.5.1 installed on UCS	To verify that license upload is successful.		Passed	
UC851S.UPGRADE.U.547	Upgrade	Restore – Cisco Unified Communications Manager using Disaster recovery system in UCS	To verify that 100% restore of Cisco Unified Communications Manager is successful.		Passed	

Upgrade 7.1.3 to 8.5(1)

Environment matrix of Upgrade 7.1.3

Product/Component	SU - Base Release Set	Target Release set
Cisco Unified Communications Manager	7.1(3b)SU2	8.5.1-10000-26
Cisco Unified Communications Manager Locale	cm-locale-ja_JP-7.1.3.2000-1.cop.sgn	cm-locale-ja_JP-8.5.1.1000-1.cop.sgn
IP Communicator	7.0(3)	7.0(3)

Test Results

ID	Features tested	Case Title	Description	Call Component Flow	Status	Defects
UC851S.UPGRADE.U.549	Upgrade	Upgrade Cisco Unified Communications Manager publisher 7.1.3	To verify a successful upgrade of Cisco Unified Communications Manager 8.5.1		Passed	
UC851S.UPGRADE.U.557	Upgrade	Installation of service Patch	To verify that installation of service patch is successful		Passed	
UC851S.UPGRADE.U.553	Upgrade	Backup – Cisco Unified Communications Manager using Disaster recovery system in MCS	To verify that 100% backup of Cisco Unified Communications Manager is successful.		Passed	
UC851S.UPGRADE.U.554	Upgrade	Installation of Cisco Unified Communications Manager 8.5.1 on UCS	To verify that Cisco Unified Communications Manager 8.5.1 installation is successful.		Passed	
UC851S.UPGRADE.U.555	Upgrade	Applying License for Cisco Unified Communications Manager 8.5.1 installed on UCS	To verify that license upload is successful.		Passed	
UC851S.UPGRADE.U.556	Upgrade	Restore – Cisco Unified Communications Manager using Disaster recovery system in UCS	To verify that 100% restore of Cisco Unified Communications Manager is successful.		Passed	

Upgrade 7.1.5 to 8.5(1)

Environment matrix of Upgrade 7.1.5

Product/Component	SU - Base Release Set	Target Release set
Cisco Unified Communications Manager	7.1(5b)SU3	8.5.1-10000-26
Cisco Unified Communications Manager Locale	cm-locale-ja_JP-7.1.5.1200-1.cop.sgn	cm-locale-ja_JP-8.5.1.1000-1.cop.sgn
IP Communicator	7.0(3)	7.0(3)

Test Results

ID	Features tested	Case Title	Description	Call Component Flow	Status	Defects
UC851S.UPGRADE.U.558	Upgrade	Upgrade Cisco Unified Communications Manager publisher 7.1.5	To verify a successful upgrade of Cisco Unified Communications Manager 8.5.1		Passed	
UC851S.UPGRADE.U.567	Upgrade	Installation of service Patch	To verify that installation of service patch is successful		Passed	
UC851S.UPGRADE.U.562	Upgrade	Backup – Cisco Unified Communications Manager using Disaster recovery system in MCS	To verify that 100% backup of Cisco Unified Communications Manager is successful.		Passed	
UC851S.UPGRADE.U.563	Upgrade	Installation of Cisco Unified Communications Manager 8.5.1 on UCS	To verify that Cisco Unified Communications Manager 8.5.1 installation is successful.		Passed	
UC851S.UPGRADE.U.565	Upgrade	Applying License for Cisco Unified Communications Manager 8.5.1 installed on UCS	To verify that license upload is successful.		Passed	
UC851S.UPGRADE.U.566	Upgrade	Restore – Cisco Unified Communications Manager using Disaster recovery system in UCS	To verify that 100% restore of Cisco Unified Communications Manager is successful.		Passed	



CHAPTER 4

Best Practices and Limitations

This chapter contains the following sections:

- [Best Practices](#)
- [Limitations](#)
- [Related Documentation](#)

Best Practices

The following are the best practices suggested while upgrading/migrating ES and SU Releases:

- Note down the platform configurations like IP address/hostname and time zone of Unified Communications Manager installed in MCS before migrating the Unified Communications Manager. Use the same platform configurations for Unified Communications Manager on UCS B-series server otherwise, DB restore will not happen successfully.
- Once the Upgrade is completed to CUCM 8.5.1 on the MCS server do the following:
 - Apply the license
 - Restart all the services
- Make sure both Unified Communications Manager Publisher and Subscriber servers are of the same version.
- Keep the FTP/SFTP server in the Unified Communications Manager server's network subnet for quick installation, backup and restore.
- Before taking a backup/restore, check that all the services are up and running in the cluster.
- During 5.1.3 upgrade to 7.1.5 use an empty USB drive in the server and put the patch "cisco-ipt-k9-patch7.1.5.10000-10.tar" in CD/DVD then proceed with the upgrade.
- If DB replication is failed, try to give this command `utils dbreplication overwrite` on the publisher server from CLI mode.
- On switching back to a lower version of Unified Communications Manager, never forget to reset Unified Communications Manager database by giving the command `utils dbreplication reset` on the publisher server.
- Obtain the new license using license MAC after migrating to the Unified Communications Manager installed on UCS server.
- Upload the newly obtained license only after the Unified Communications Manager DB restore is completed on the UCS server.

- Make sure the NTP server is synchronized with the publisher server using the command `show ntp status` before proceeding with subscriber server installation.
- To powerdown or restart the Unified Communications Manager server, go to OS Admin page and select **Settings > Version**. From the Version Settings page, click **Shutdown** or **Restart**.
- Before powering up the Unified Communications Manager servers installed on UCS server check all the Unified Communications Manager installed on the corresponding MCS server are administratively down.
- In release sets 4.1.3 and 5.1.3 Upgrade use **CCMAdministrator** as the application username.
- During 5.1.3 upgrade, provide Unified Communications Manager Publisher server's hostname in lowercase only.
- **License MAC Generation:** For applications that require a License MAC, it can be created using the [Answer File Generator](#) prior to application installation in the Virtual Machine. This will output both the License MAC value as well as the answer file for unattended installation. This method is recommended as the most effective way to obtain the license MAC. To view the current value of a License MAC for applications that require it, after installation, select **Show > System** from the Cisco Unified Operating System Administration web page or run the CLI command `show status`.
- For more guidance and information on migration to Virtual servers visit the following URL:
http://www.cisco.com/en/US/docs/voice_ip_comm/cucm/virtual/servers.html

Limitations

S.No	Version affected	Fixed Release	Defect ID	Description
1	5.1.3SU	7.1(3.10000.11)	CSCsz83337	COP file:Free up active space by removing large phone guide pdfs
2	4.1(3)_SR8a	—	CSCsi48359	Hankaku-Katakana(single-byte) characters in alerting name and few other fields are garbled after migrating from 4.1.3 to 7.1.3 using DMA 7.1.3
3	5.1.3.7109.1ES	5.1(1.2000.2)	CSCsg02221	Unified Communications Manager Subscriber installation fails if Publisher hostname is given in uppercase and numerals.

Related Documentation

System Installation and Upgrade Manual for IP Telephony

http://www.cisco.com/en/US/docs/voice_ip_comm/uc_system/UC8.5.1/ipt_system_inst_upg/suimt851.pdf

Cisco Unified Communications Manager on Virtualized Servers

http://www.cisco.com/en/US/docs/voice_ip_comm/cucm/virtual/servers.pdf

Answer File Generator

http://www.cisco.com/web/cuc_afg/index.html

